



(12) **United States Design Patent**
Kang et al.

(10) **Patent No.:** **US D869,548 S**
(45) **Date of Patent:** **** Dec. 10, 2019**

(54) **SHREDDER**

(71) Applicant: **Fellowes, Inc.**, Itasca, IL (US)
(72) Inventors: **Rich Kang**, Elgin, IL (US); **Dominick Padovano**, Chicago, IL (US)
(73) Assignee: **FELLOWES, INC.**, Itasca, IL (US)
(**) Term: **15 Years**
(21) Appl. No.: **29/627,559**

(22) Filed: **Nov. 28, 2017**
(51) **LOC (12) Cl.** **18-04**
(52) **U.S. Cl.**
USPC **D18/34.5**
(58) **Field of Classification Search**
USPC D18/34.1, 34.2, 34.3, 34.4, 34.5, 34.6,
D18/34.7, 34.8, 34.9; D14/314, 332,
D14/348-349, 351, 352
CPC B02C 18/00; B02C 18/0007; B02C
2018/164; B02C 2018/168; B02C
2018/0015
See application file for complete search history.

(56) **References Cited**

U.S. PATENT DOCUMENTS

D557,734 S	*	12/2007	Ho	D18/34.6
D602,073 S	*	10/2009	Holderfield	D18/34.5
D618,275 S	*	6/2010	Wing	D18/34.5
D660,907 S	*	5/2012	Wing	D18/34.5
D673,665 S	*	1/2013	Langford	D23/359
D678,396 S	*	3/2013	Zhang	D18/34.5
D686,657 S	*	7/2013	Applegate	D18/34.5
D688,739 S	*	8/2013	Labat	D18/34.5
D690,764 S	*	10/2013	Kim	D18/34.5
D705,860 S	*	5/2014	Zhou	D18/34.5

(Continued)

FOREIGN PATENT DOCUMENTS

EM	001631227-0002	*	11/2009
EM	002060848-0001	*	8/2012
JP	D1549844	*	5/2016

OTHER PUBLICATIONS

Samsclub. Link: <https://m.samsclub.com/ip/members-mark-12sheet-microcut-shredder/prod19430260>. 2016. Member's Mark Micro-Cut Paper Shredder, 12 Sheet Capacity. (Year: 2016).*

Primary Examiner — Susan Bennett Hattan

Assistant Examiner — Lauren D McVey

(74) *Attorney, Agent, or Firm* — Pillsbury Winthrop Shaw Pittman LLP

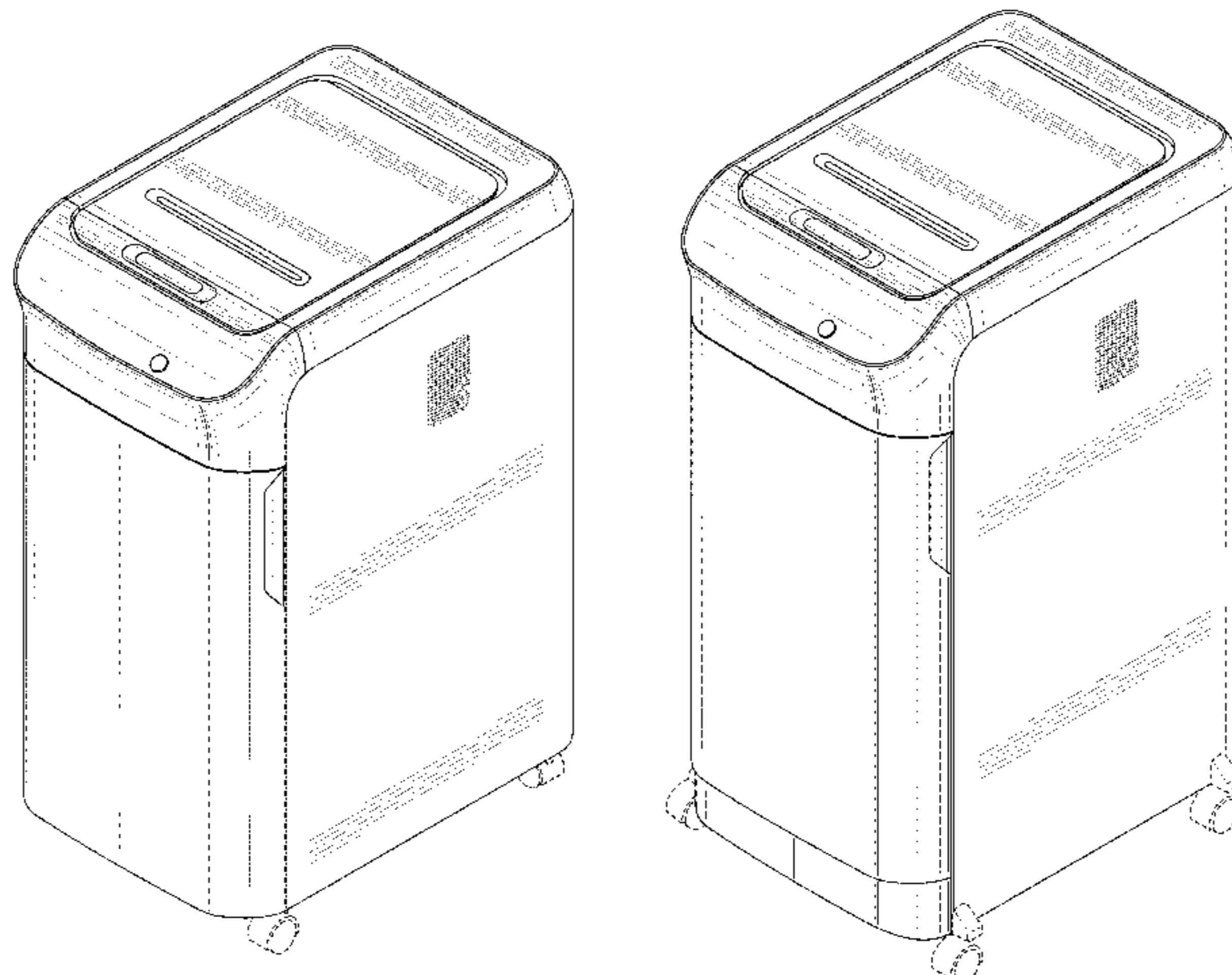
(57) **CLAIM**

The ornamental design for a shredder, as shown and described.

DESCRIPTION

FIG. 1 is a top perspective view of a first embodiment of a shredder, showing our new design;
FIG. 2 is a front view of the shredder of FIG. 1;
FIG. 3 is a back view of the shredder of FIG. 1;
FIG. 4 is a right side view of the shredder of FIG. 1;
FIG. 5 is a left side view of the shredder of FIG. 1;
FIG. 6 is a top view of the shredder of FIG. 1;
FIG. 7 is a bottom view of the shredder of FIG. 1;
FIG. 8 is a top perspective view of a second embodiment of a shredder, showing our new design;
FIG. 9 is a front view of the shredder of FIG. 8;
FIG. 10 is a back view of the shredder of FIG. 8;
FIG. 11 is a right side view of the shredder of FIG. 8;
FIG. 12 is a left side view of the shredder of FIG. 8;
FIG. 13 is a top view of the shredder of FIG. 8; and,
FIG. 14 is a bottom view of the shredder of FIG. 8.
The broken lines immediately adjacent to the shaded areas and define unshaded regions depict the bounds of the claimed design, while all other broken lines are directed to environment. The broken lines form no part of the claimed design.

1 Claim, 14 Drawing Sheets



(56)

References Cited

U.S. PATENT DOCUMENTS

D747,406 S * 1/2016 Sweet D18/34.5
2010/0327091 A1* 12/2010 Ko B02C 18/0007
241/25
2015/0224511 A1* 8/2015 Schwelling B65H 3/0638
271/264

* cited by examiner

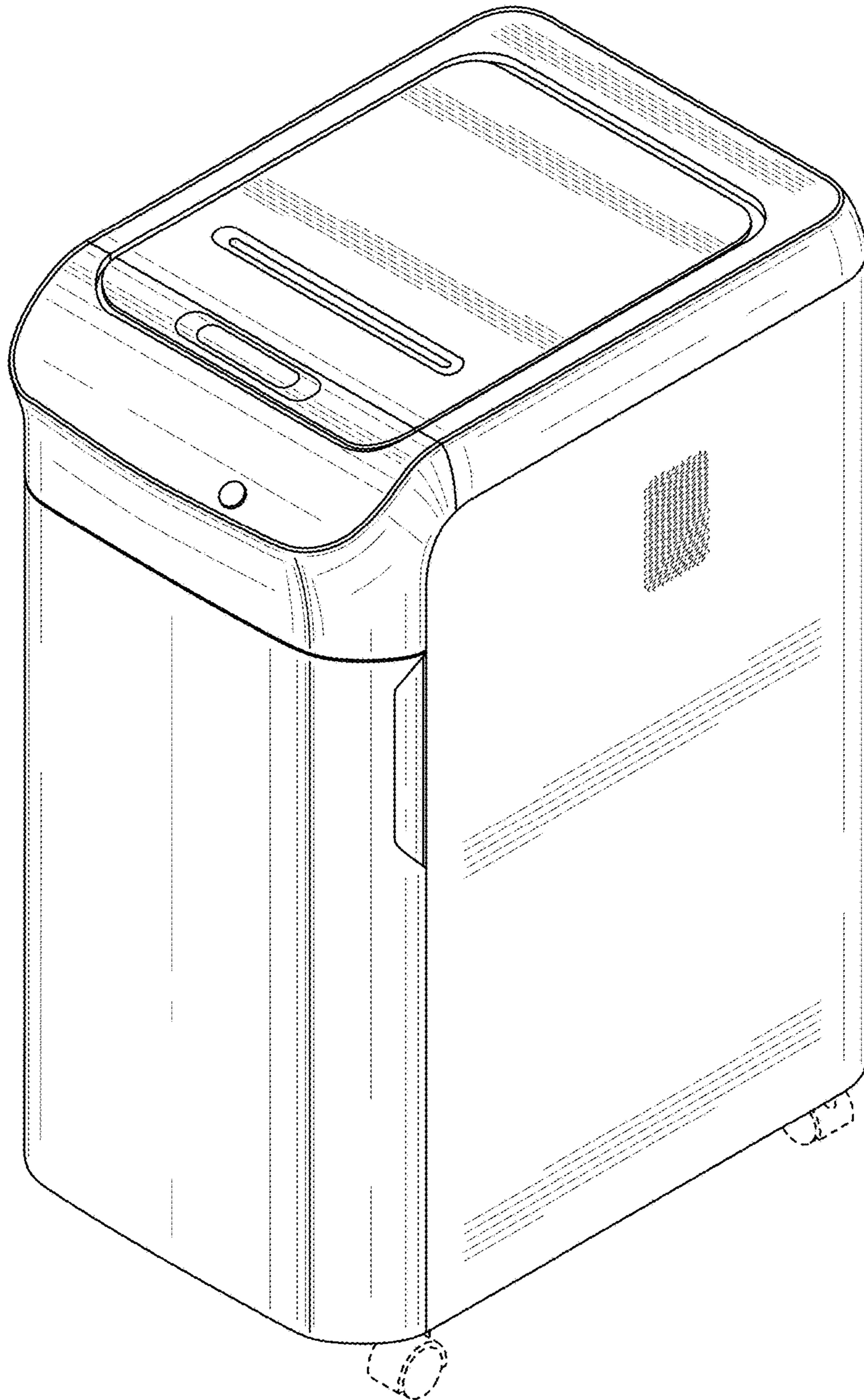


FIG. 1

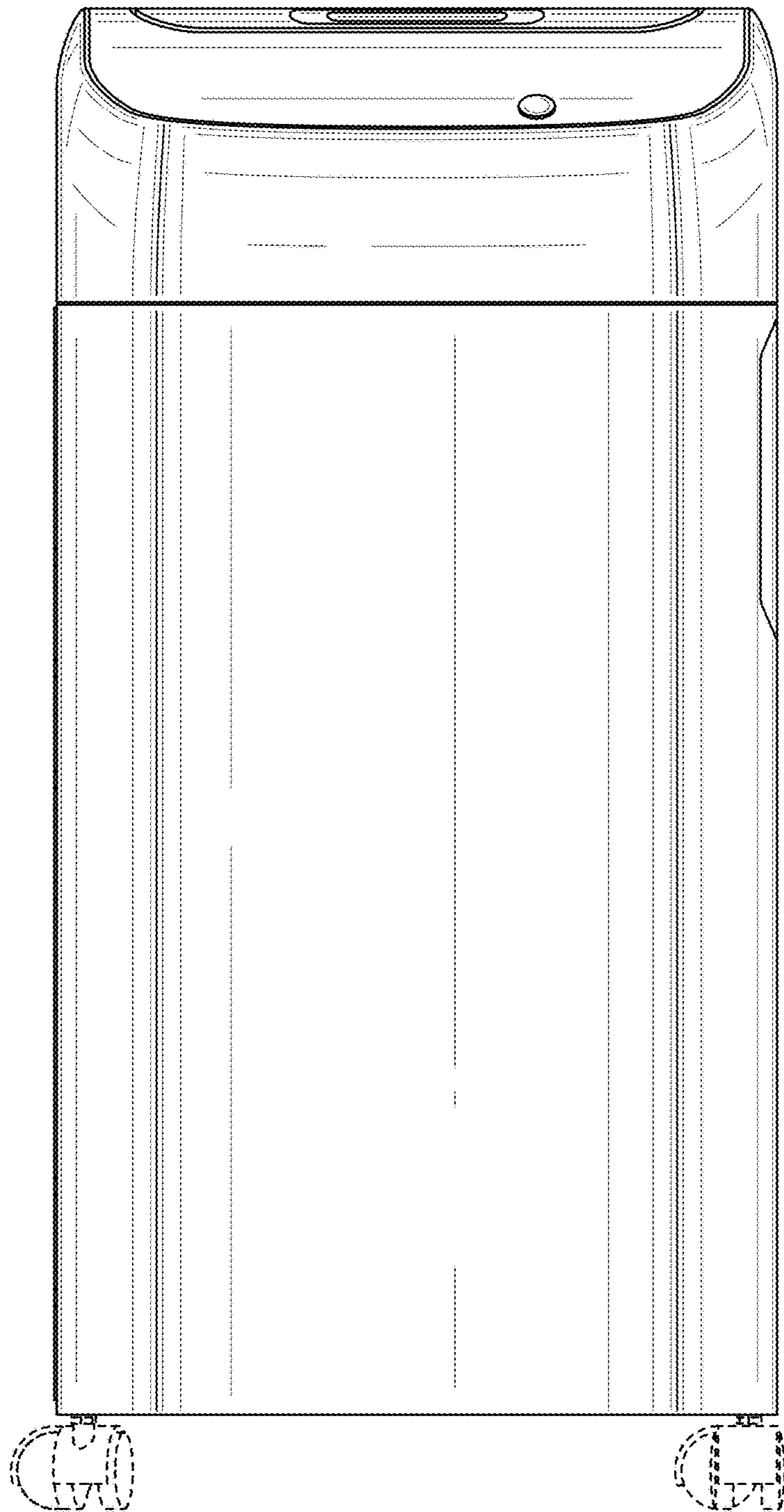


FIG. 2

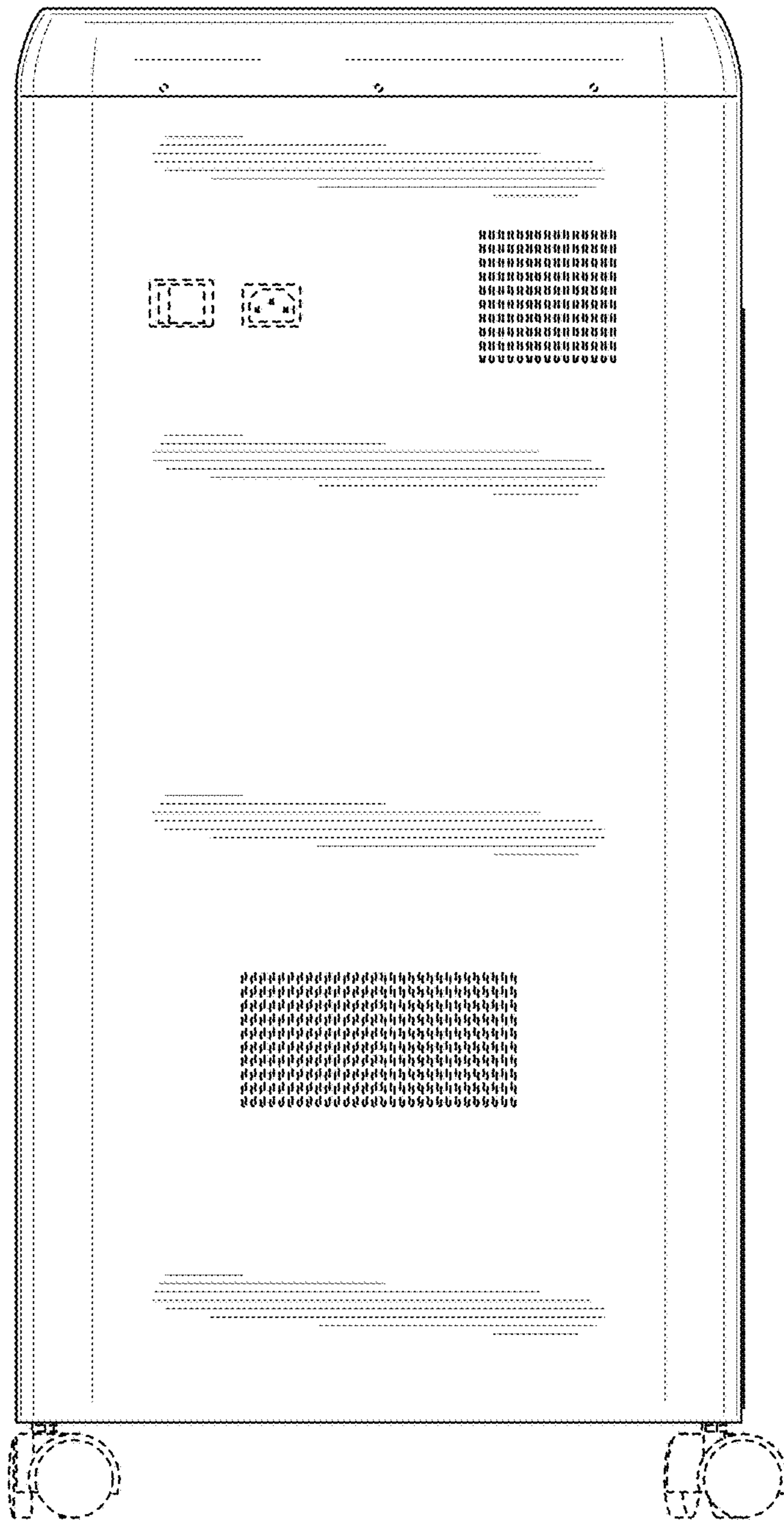


FIG. 3

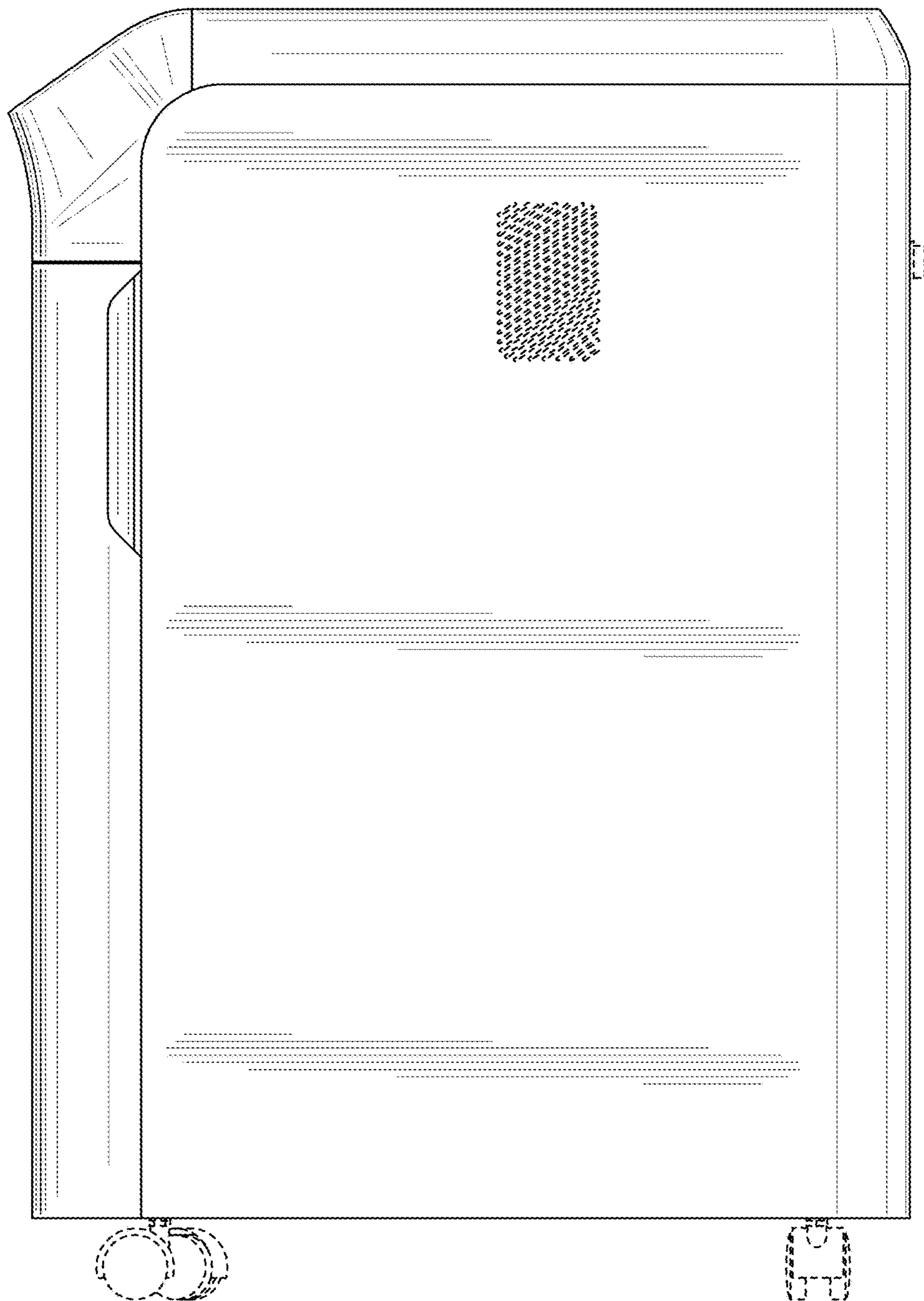


FIG. 4

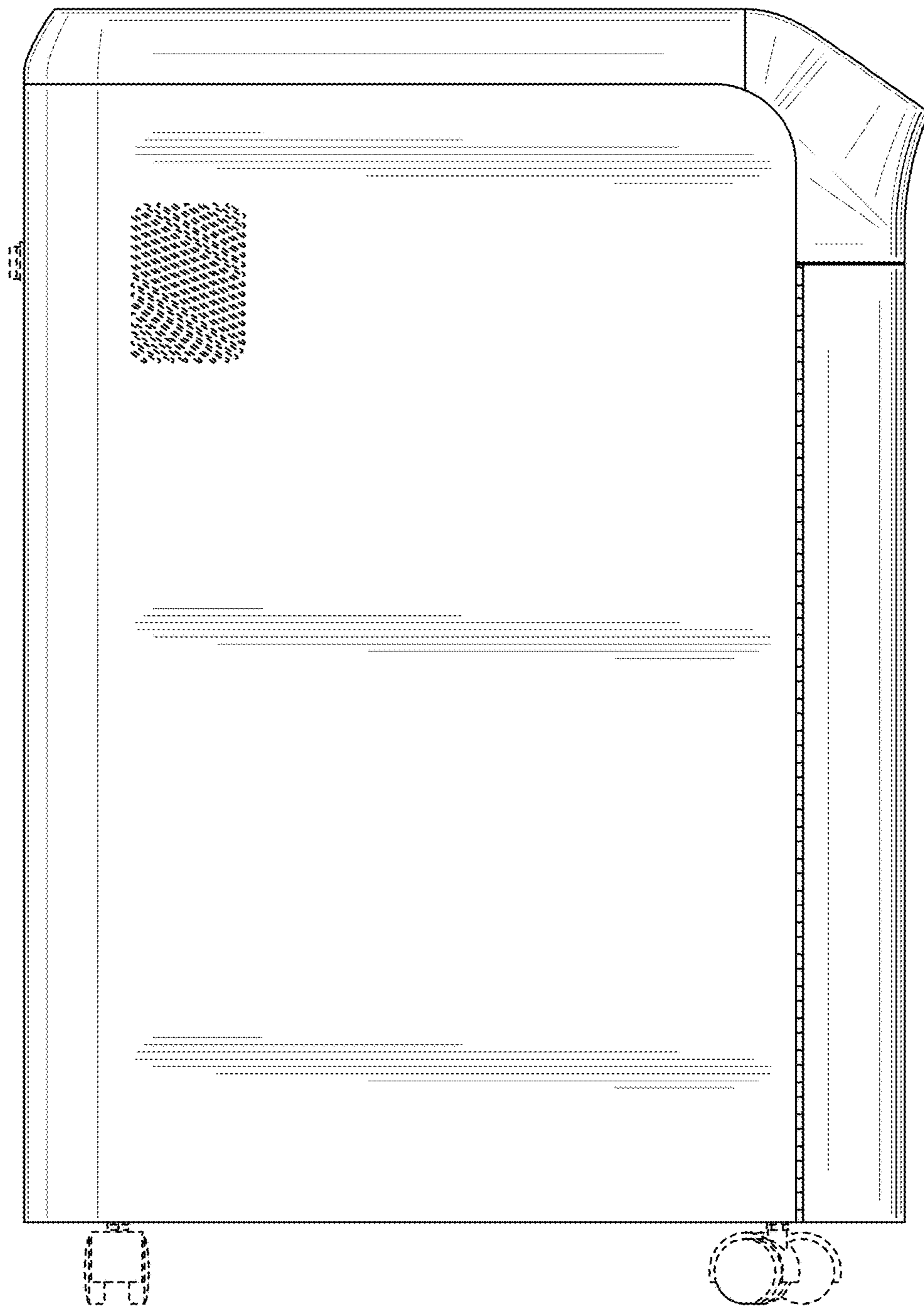


FIG. 5

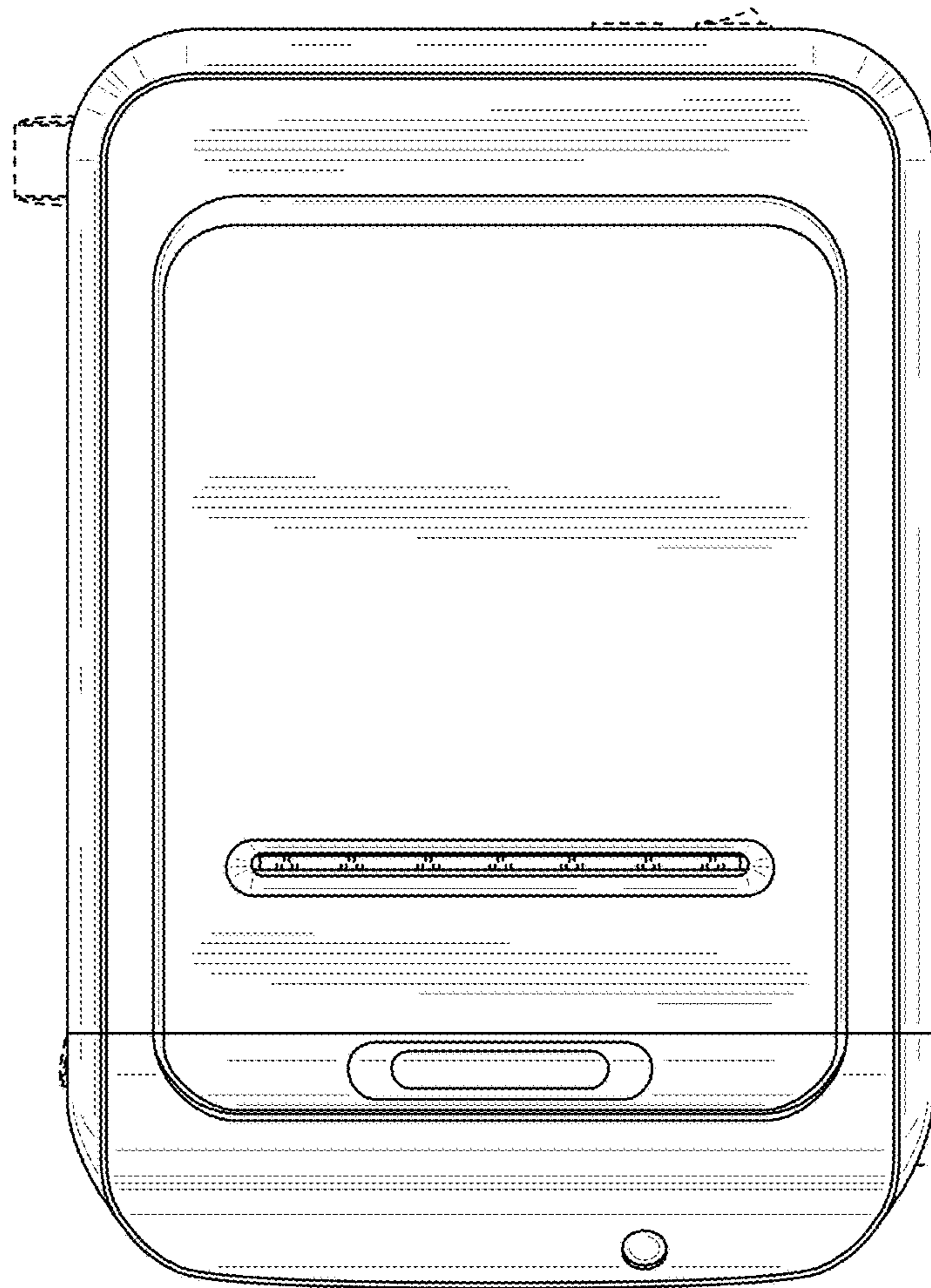


FIG. 6

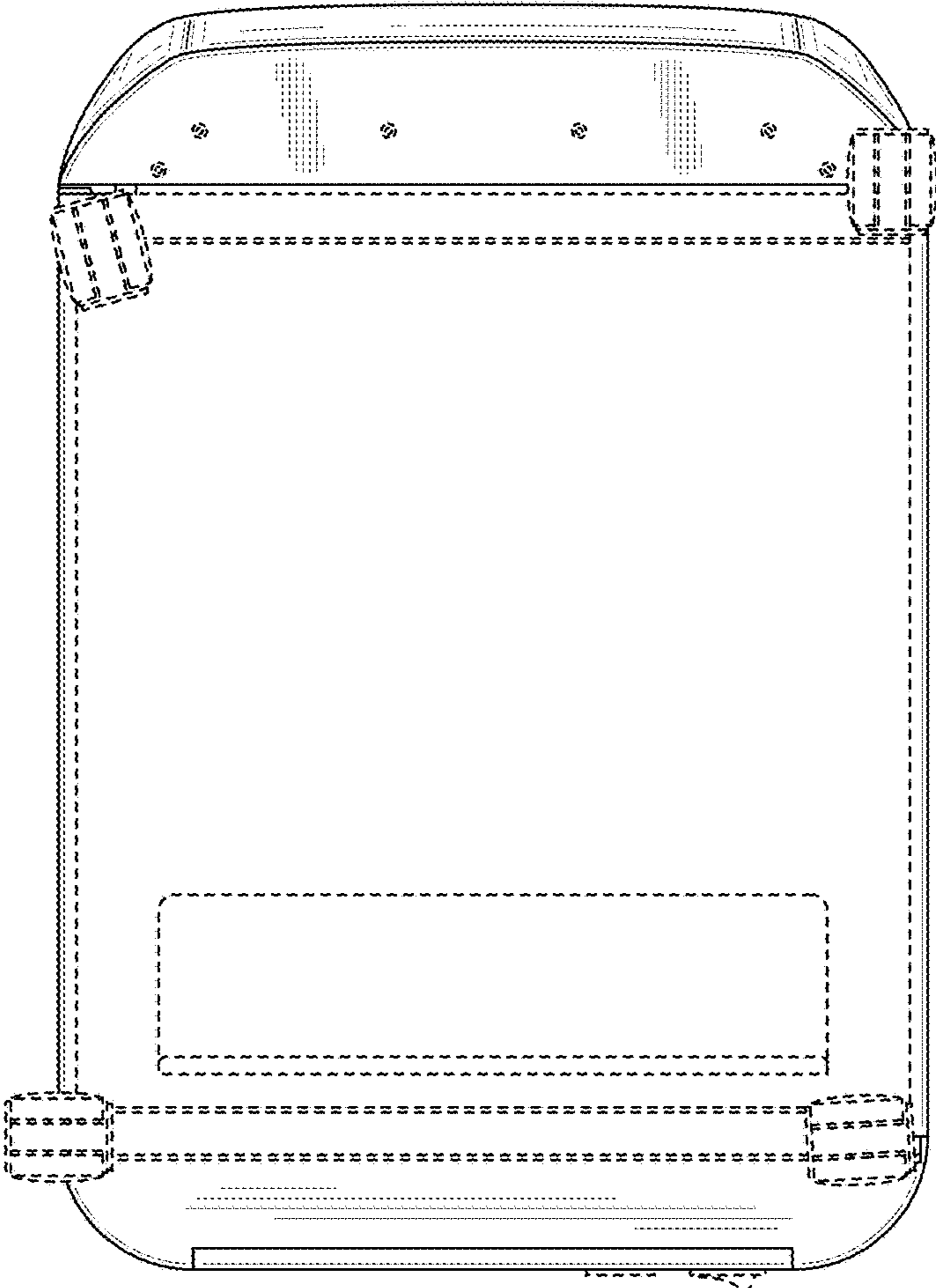


FIG. 7

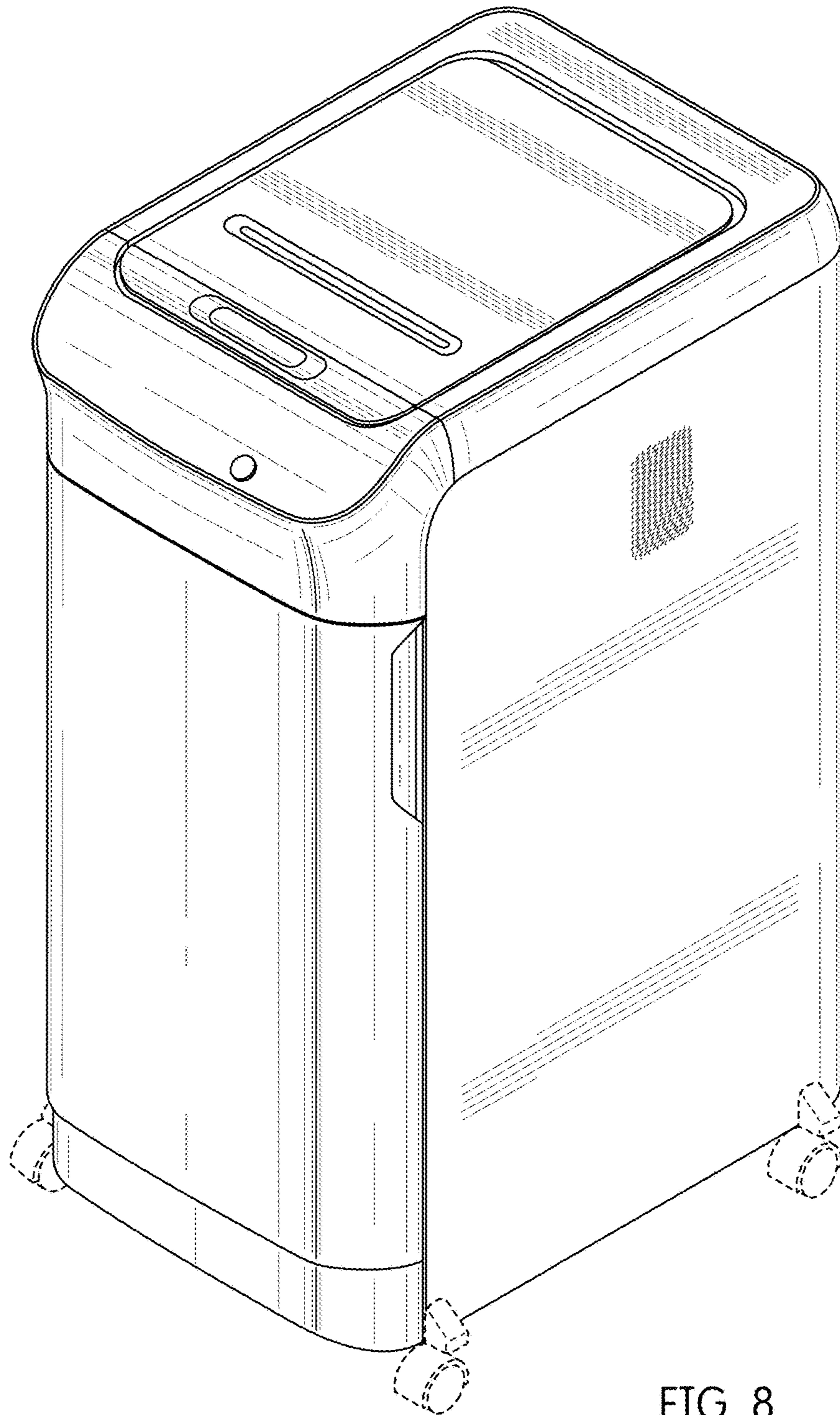


FIG. 8

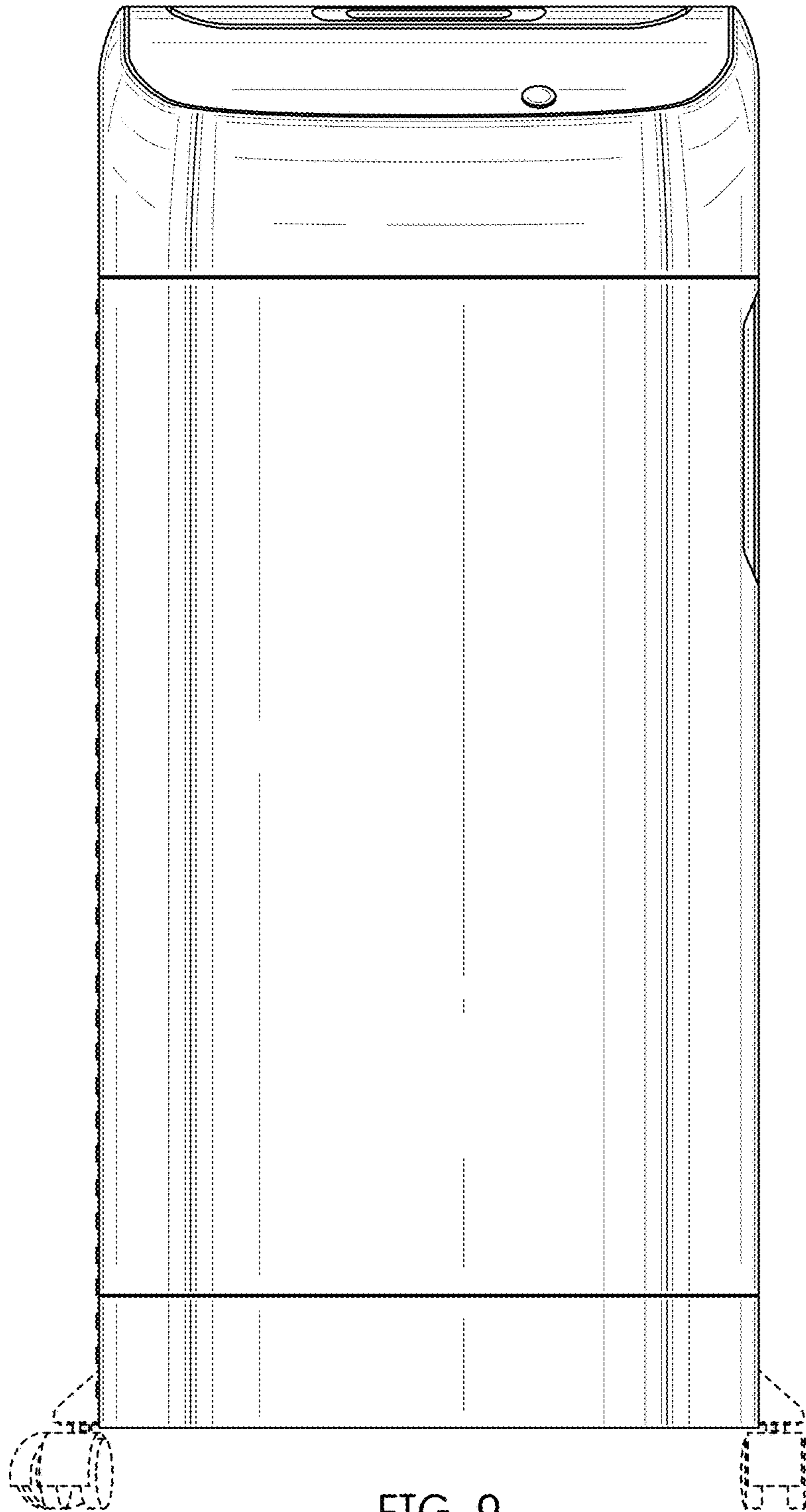


FIG. 9

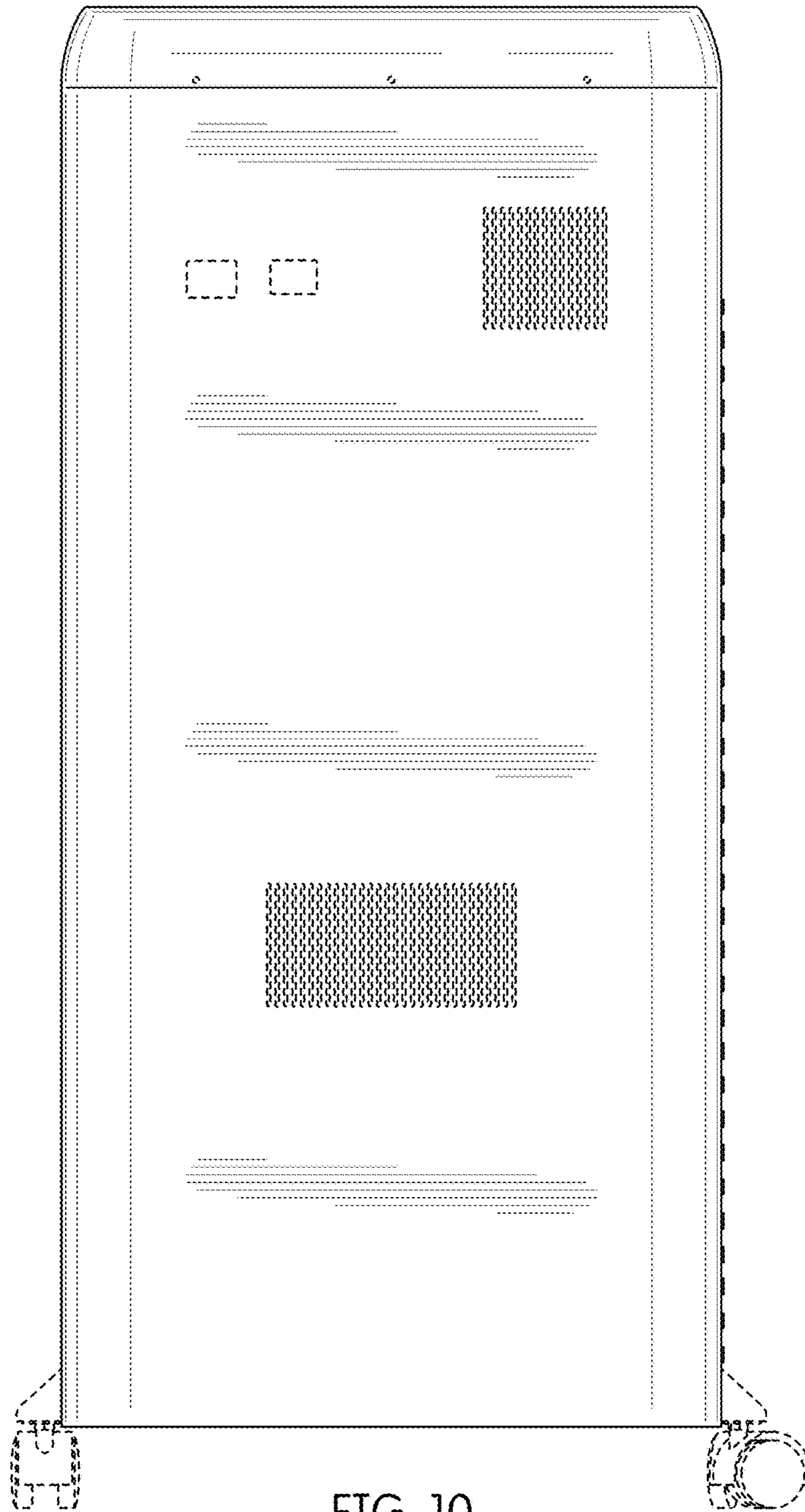


FIG. 10

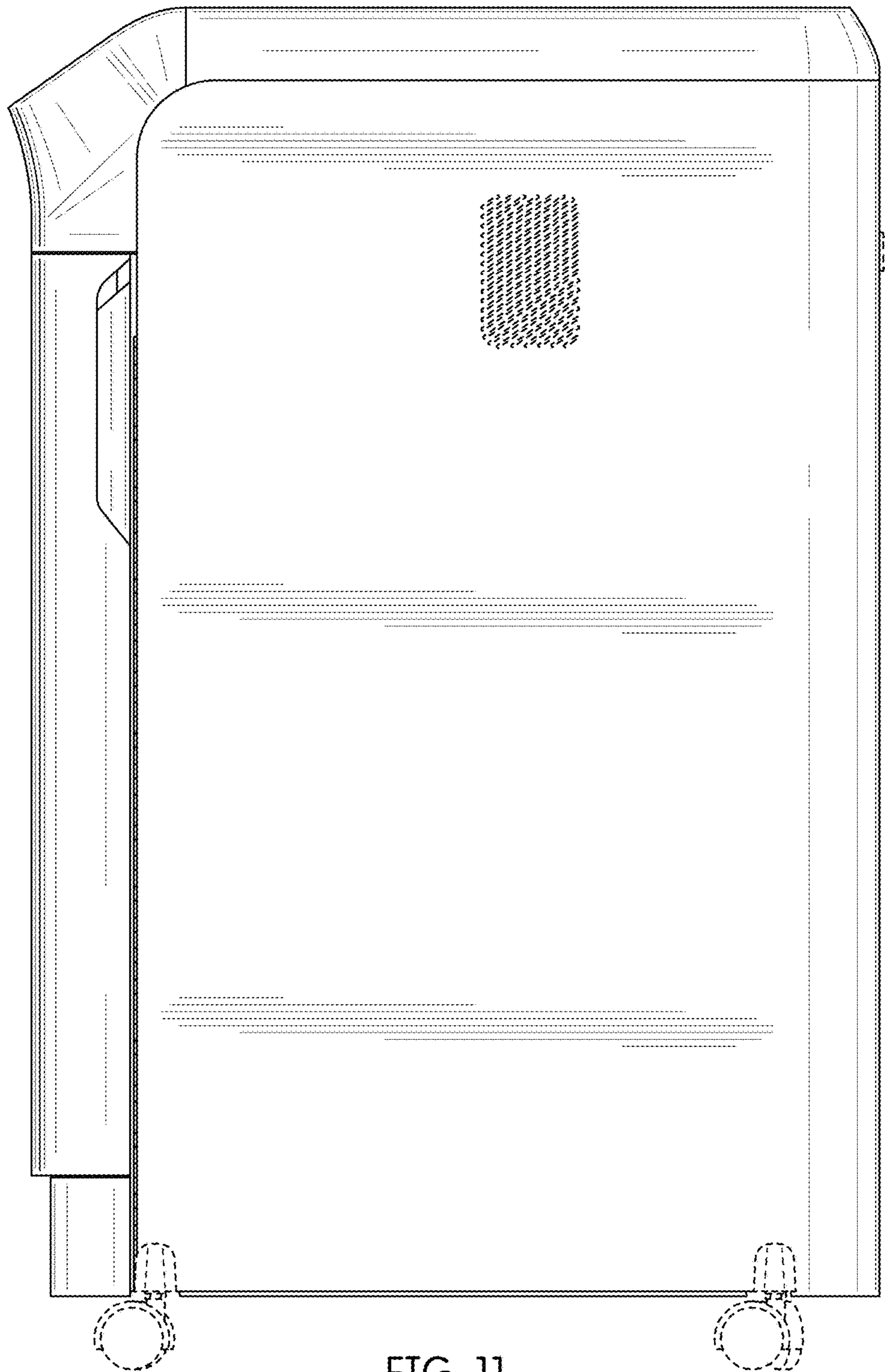


FIG. 11

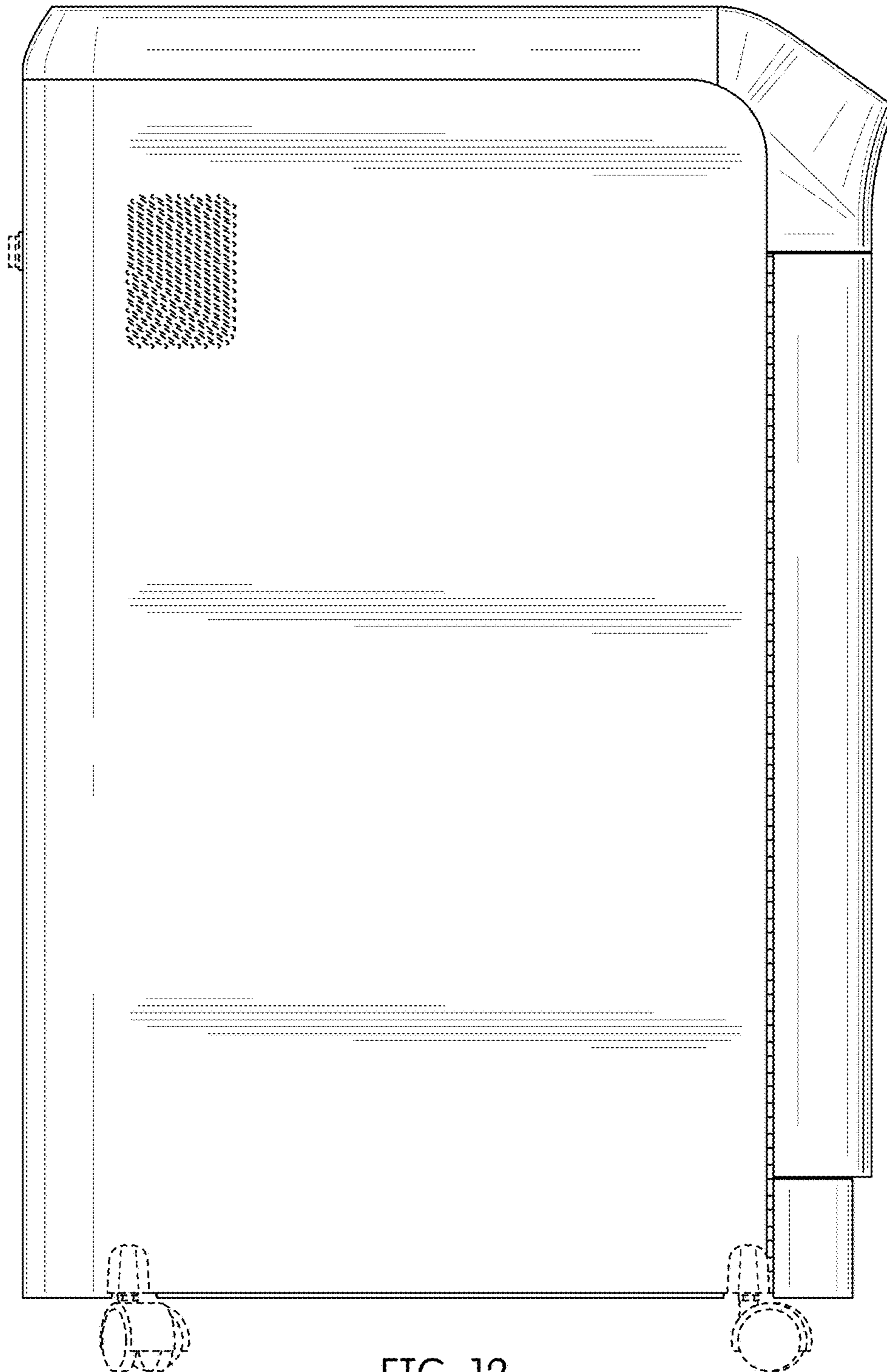


FIG. 12

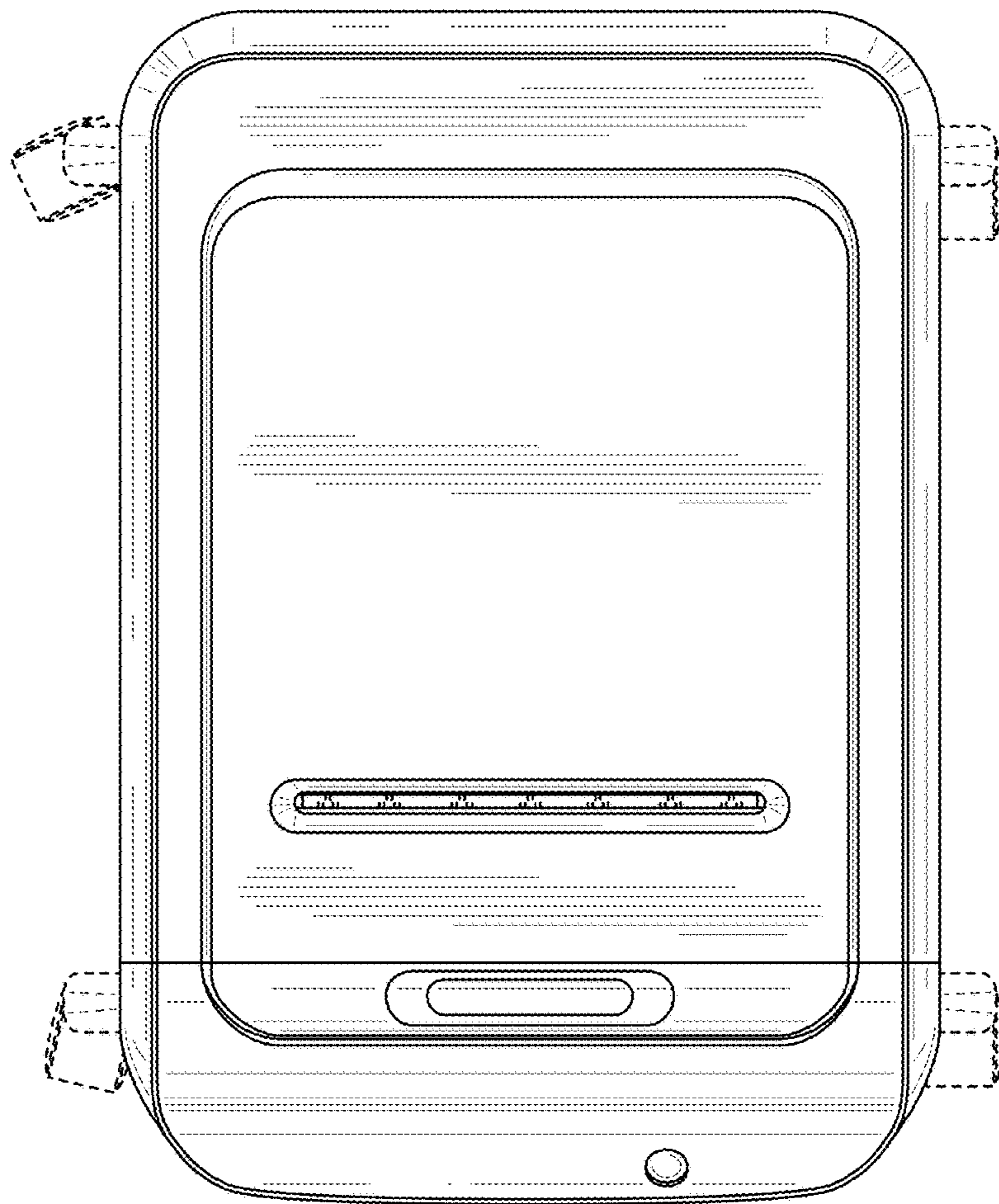


FIG. 13

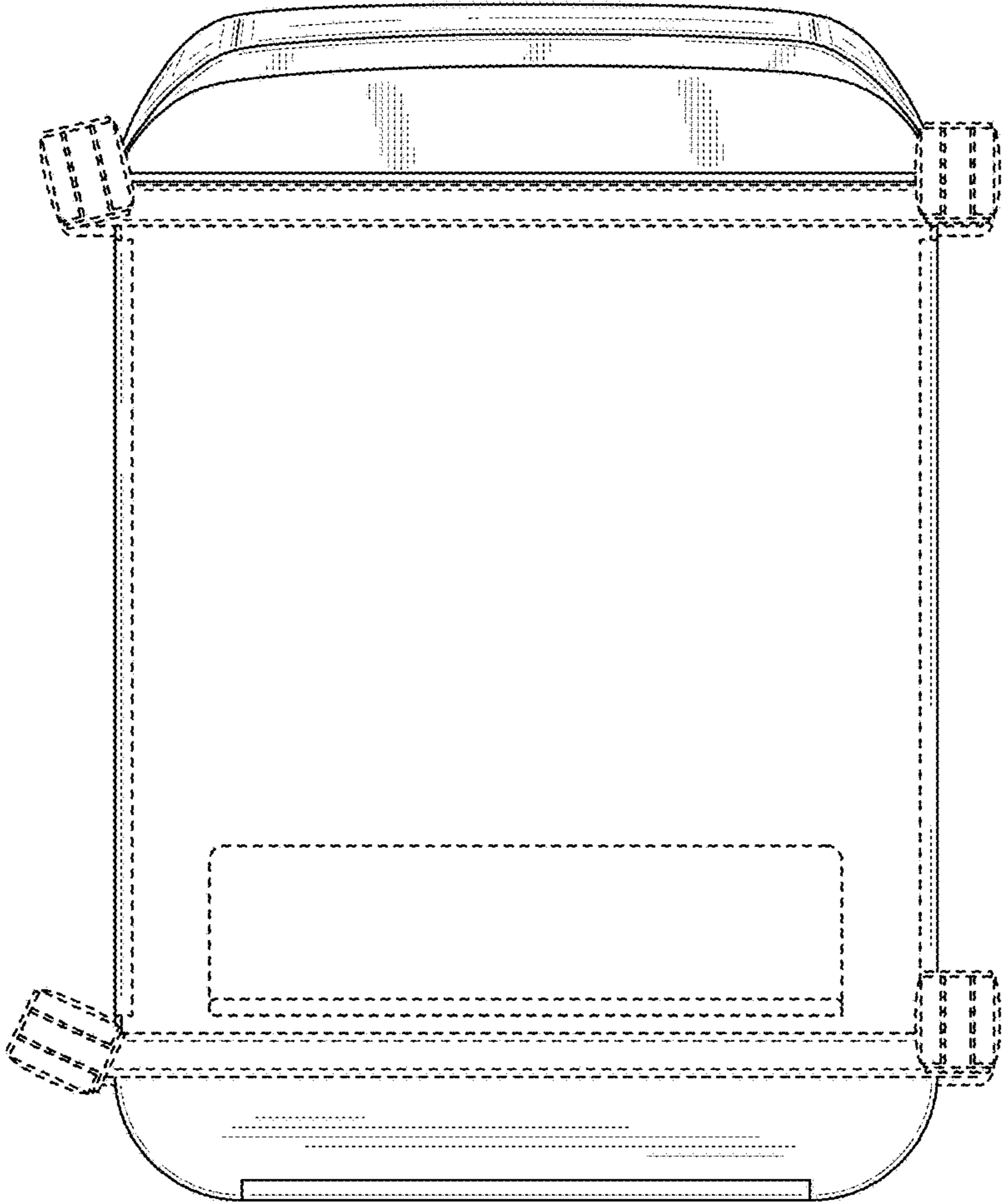


FIG. 14