



US00D869544S

(12) **United States Design Patent** (10) **Patent No.:** **US D869,544 S**
Zhan (45) **Date of Patent:** **** Dec. 10, 2019**

(54) **PHOTOGRAPHY OR VIDEO LIGHT**

(71) Applicant: **Xiamen Fulaishi Film Tools Co., Ltd.,**
Fujian (CN)

(72) Inventor: **Qiang Zhan,** Fujian (CN)

(**) Term: **15 Years**

(21) Appl. No.: **29/649,920**

(22) Filed: **Jun. 4, 2018**

(30) **Foreign Application Priority Data**

Dec. 4, 2017 (CN) 2017 3 0608877

(51) **LOC (12) Cl.** **16-05**

(52) **U.S. Cl.**
USPC **D16/237; D16/239; D26/63**

(58) **Field of Classification Search**
USPC D16/219, 237-250; D14/224, 229, 238,
D14/251, 447, 451, 457; D26/63, 65
CPC F16M 11/06-10; F16M 11/14; G02B
7/00-002; G03B 17/56; G03B
17/261-568; H04N 5/2253-2254
See application file for complete search history.

(56) **References Cited**

U.S. PATENT DOCUMENTS

D614,224 S *	4/2010	Orion	D16/239
D645,184 S *	9/2011	Zhan	D26/63
D645,594 S *	9/2011	Grawe	D26/63
D659,867 S *	5/2012	Zhan	D16/239
D677,815 S *	3/2013	Zhan	D16/239
D693,397 S *	11/2013	Zhan	D16/239
D699,279 S *	2/2014	Zhan	D16/239
D699,779 S *	2/2014	Zhan	D16/239
D711,030 S *	8/2014	Zhan	D26/65
D711,576 S *	8/2014	Zhan	D26/63
D711,577 S *	8/2014	Zhan	D26/65
D712,581 S *	9/2014	Scarlata	D26/65
D713,983 S *	9/2014	Yang	D26/63

D734,886 S *	7/2015	Lazalier	D26/63
D736,982 S *	8/2015	Yasuji Fletcher	D26/63
D747,526 S *	1/2016	Zhang	D26/63
D761,473 S *	7/2016	Zhang	D26/63
D767,806 S *	9/2016	Colacilli	D26/63
D814,678 S *	4/2018	Zhan	D26/63
2018/0066829 A1 *	3/2018	Zhan	F21V 13/02

OTHER PUBLICATIONS

Neewer 2 Packs Dimmable Bi-Color 480 LED Video Light and Stand. [online] Published on Jun. 2, 2017. Retrieved Jun. 24, 2019 from URL: <https://www.amazon.com/Neewer-Packs-Dimmable-Bi-Color-Lighting/dp/B072Q42GXQ>.
GVM 520 LED Video Light Panel Bi-Color. [online] Published Sep. 28, 2018. Retrieved Jun. 24, 2019 from URL: https://www.amazon.com/dp/B07HJ1VQ1K/ref=sspa_dk_detail_2?psc=1.

* cited by examiner

Primary Examiner — Vy N Koenig
(74) *Attorney, Agent, or Firm* — Prakash Nama; Global IP Services, PLLC

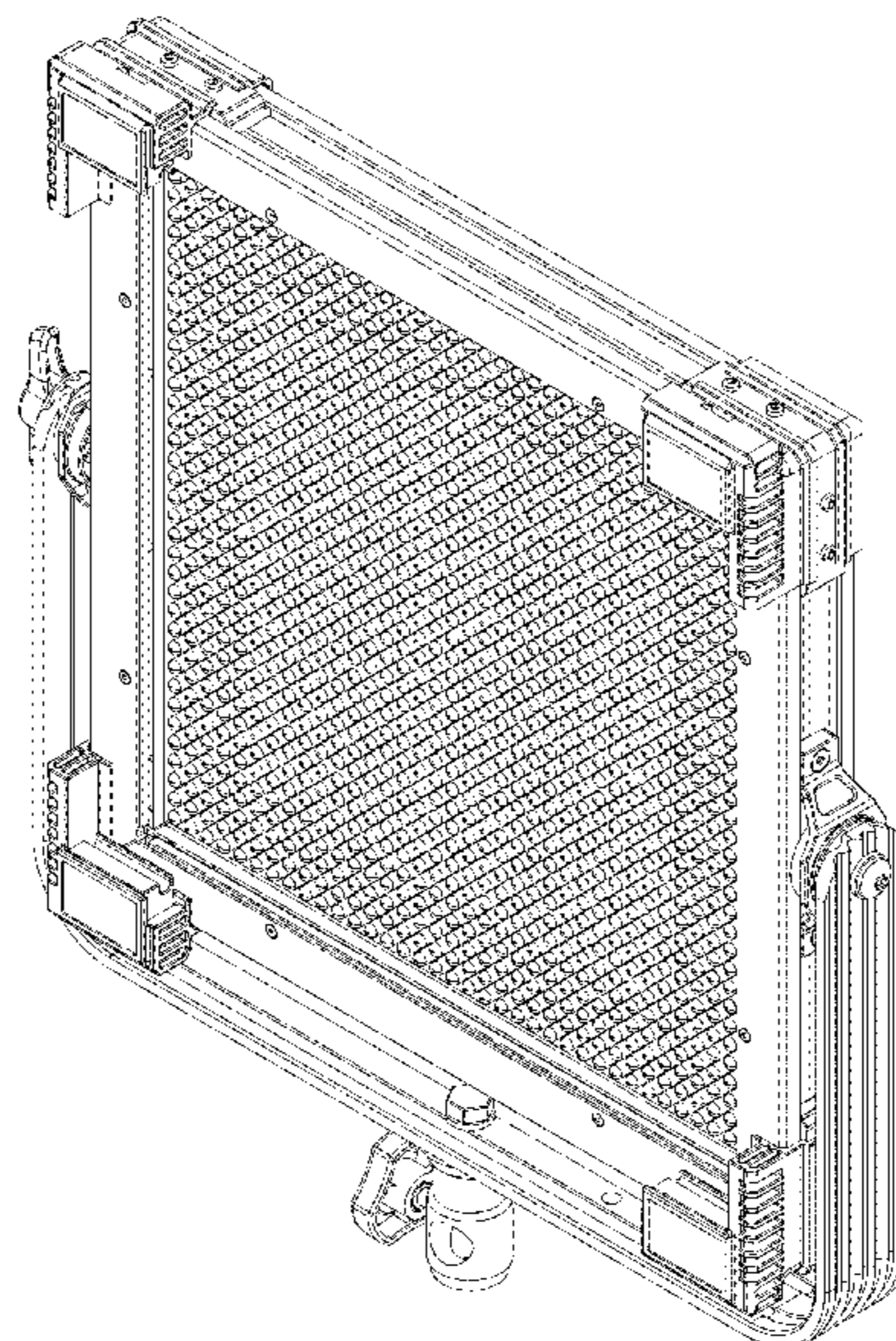
(57) **CLAIM**

The ornamental design for a photography or video light, as shown and described.

DESCRIPTION

FIG. 1 is a front elevational view of a photography or video light, showing my new design;
FIG. 2 is a rear elevational view thereof;
FIG. 3 is a left side view thereof;
FIG. 4 is a right side view thereof;
FIG. 5 is a top plan view thereof;
FIG. 6 is a bottom plan view thereof;
FIG. 7 is a perspective view thereof;
FIG. 8 is a second perspective view thereof; and,
FIG. 9 is a third perspective view thereof.

1 Claim, 9 Drawing Sheets



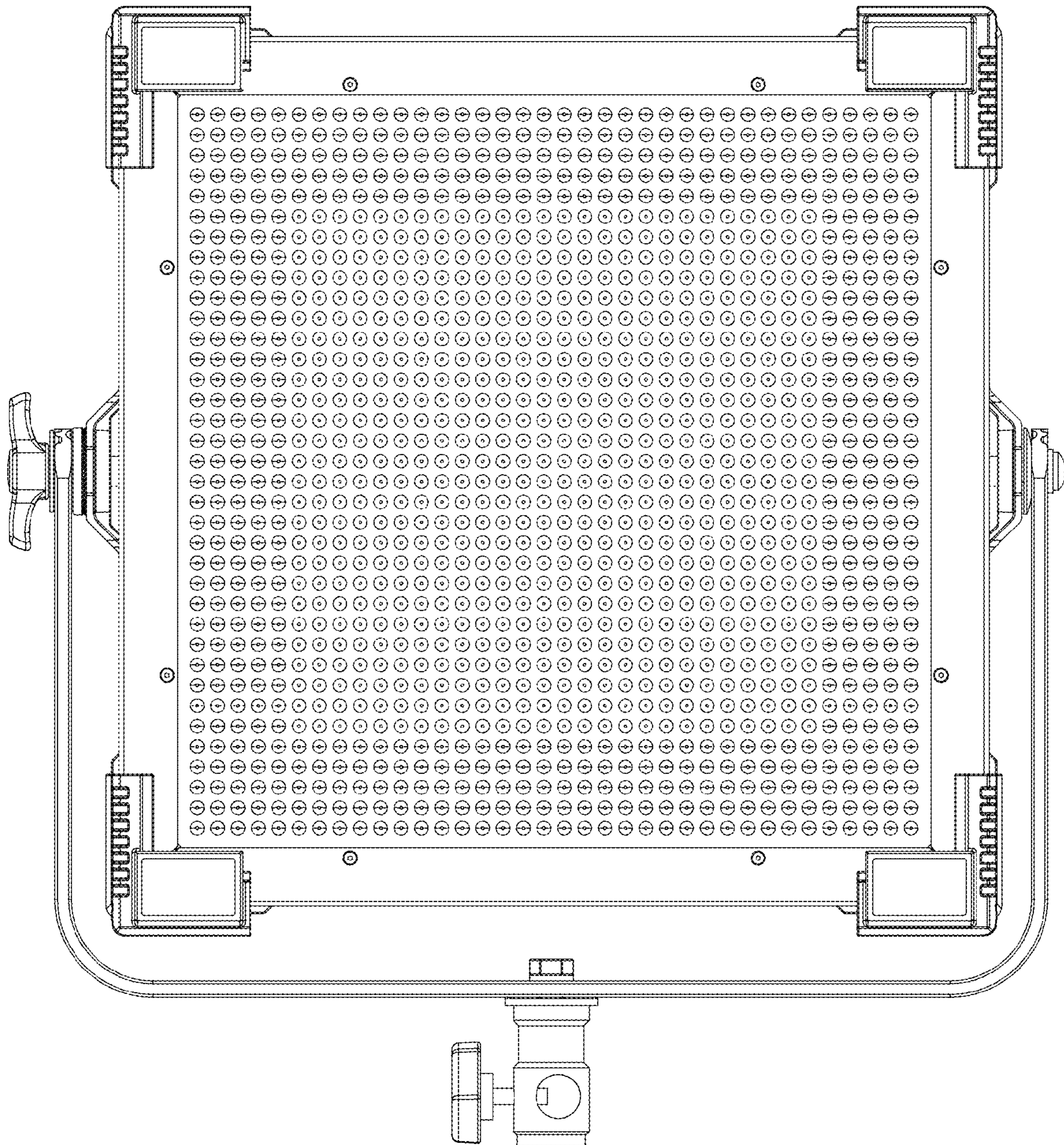


Fig. 1

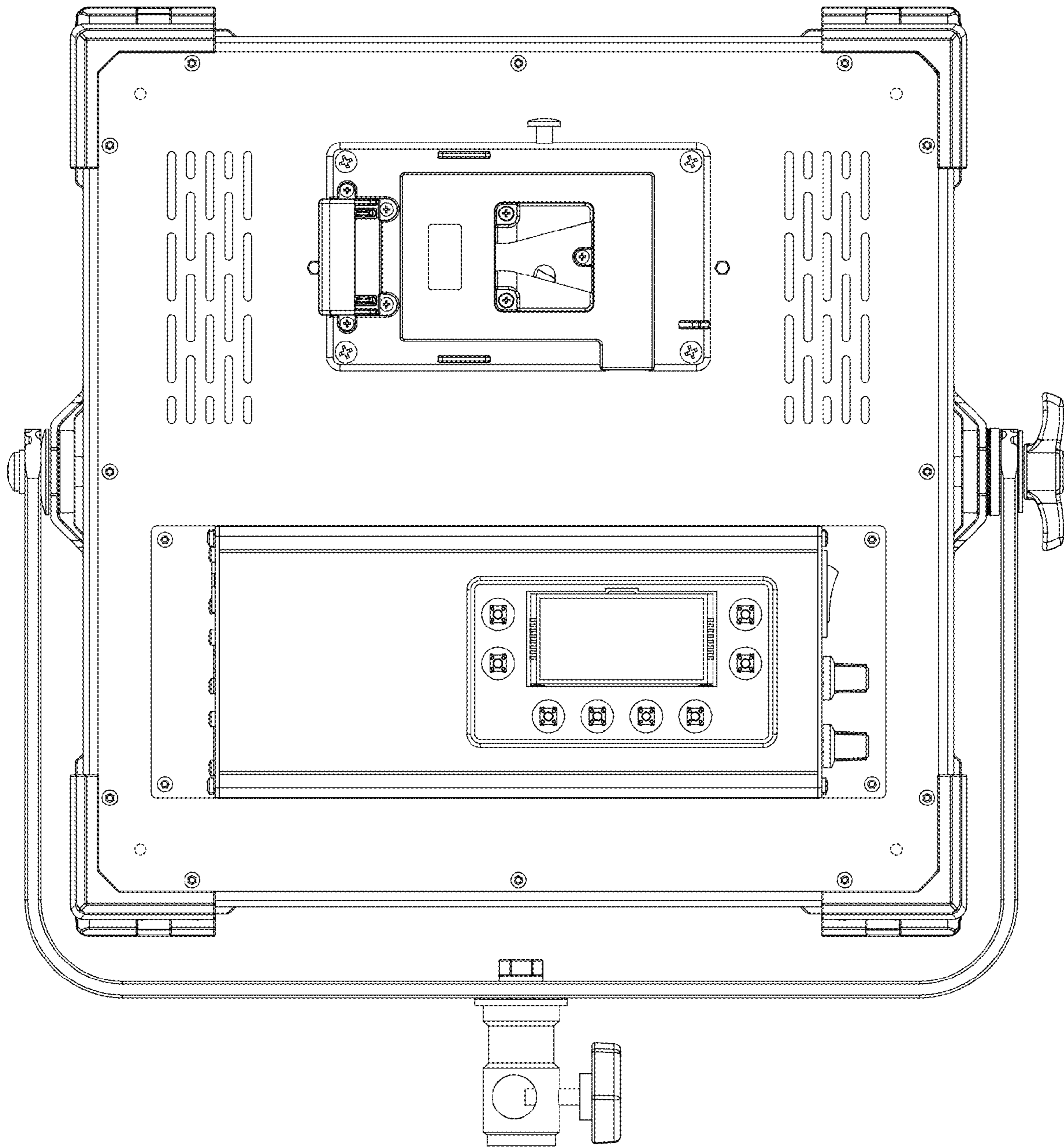


Fig. 2

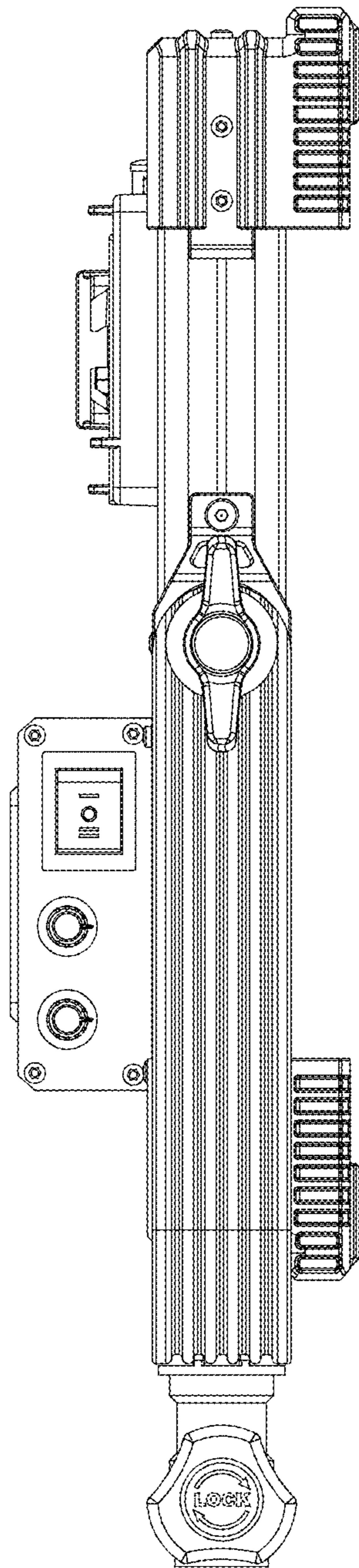


Fig. 3

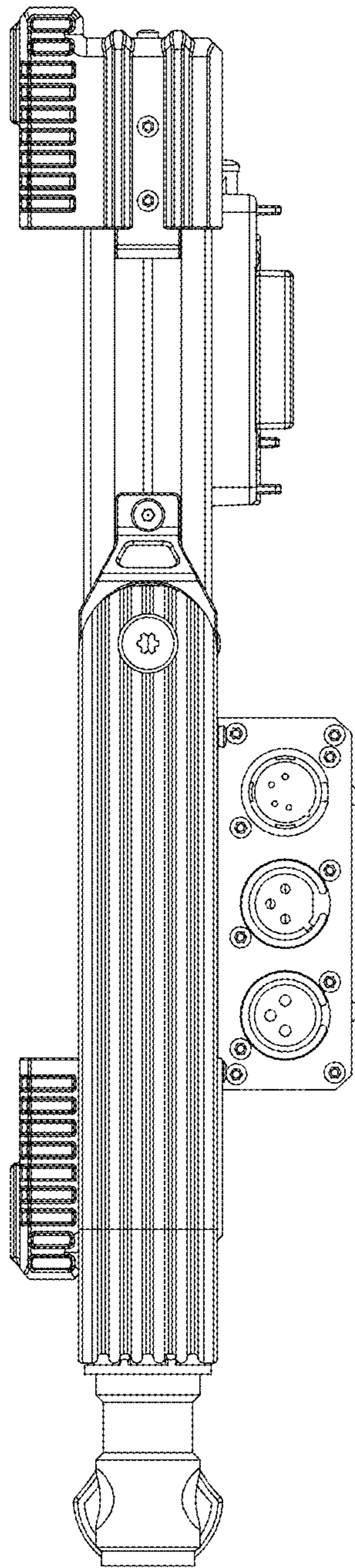


Fig. 4

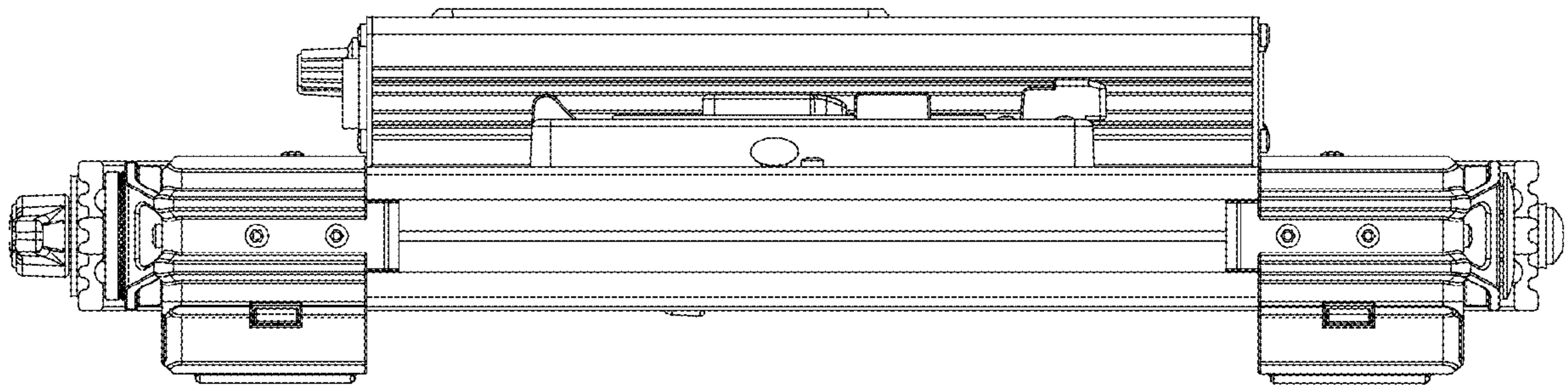


Fig. 5

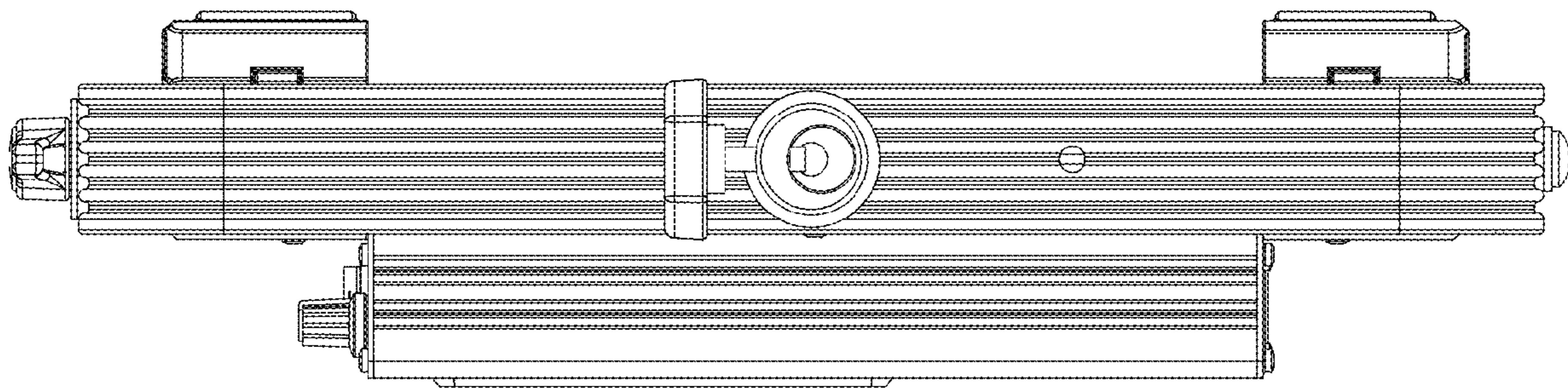


Fig. 6

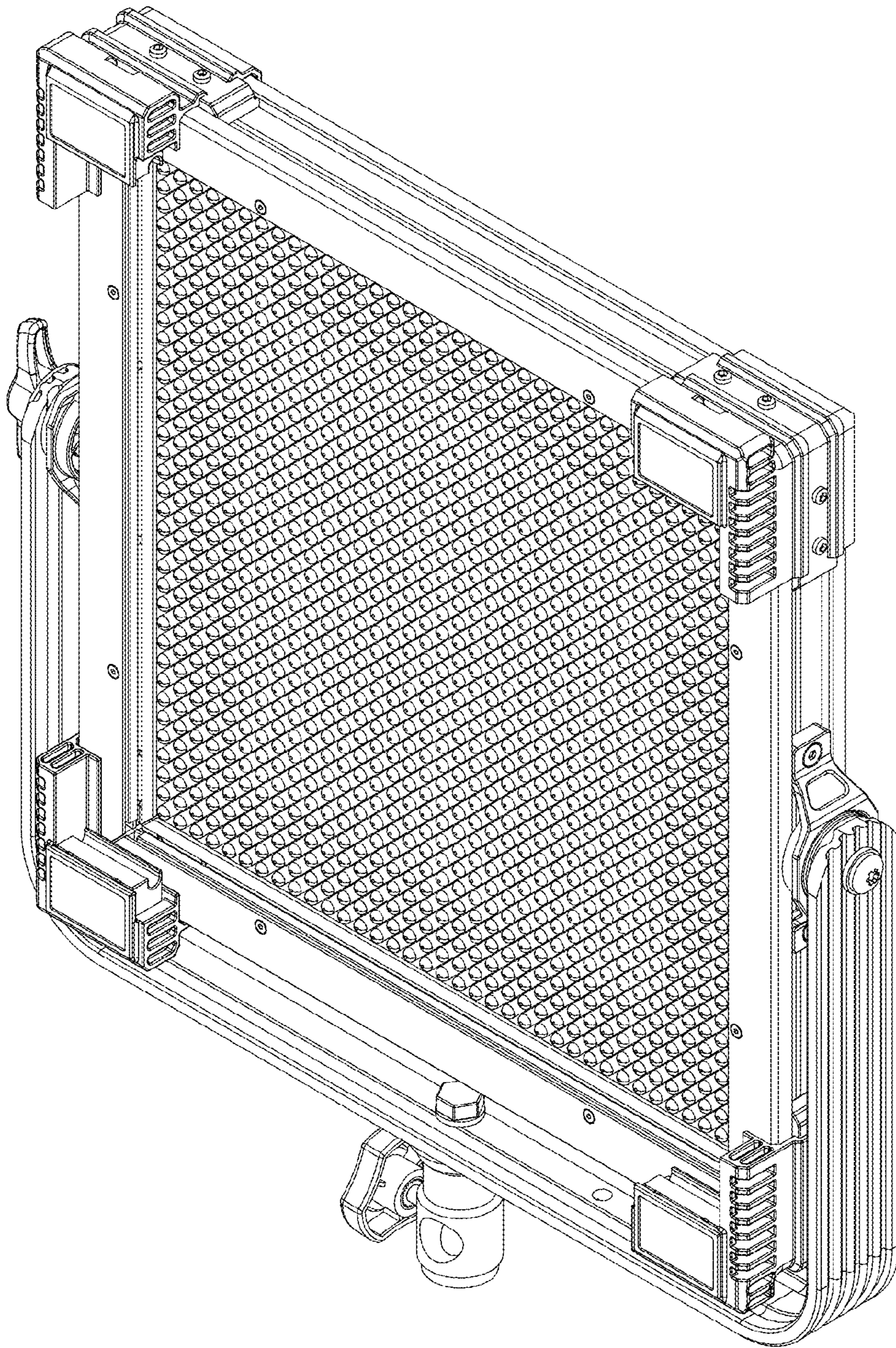


Fig. 7

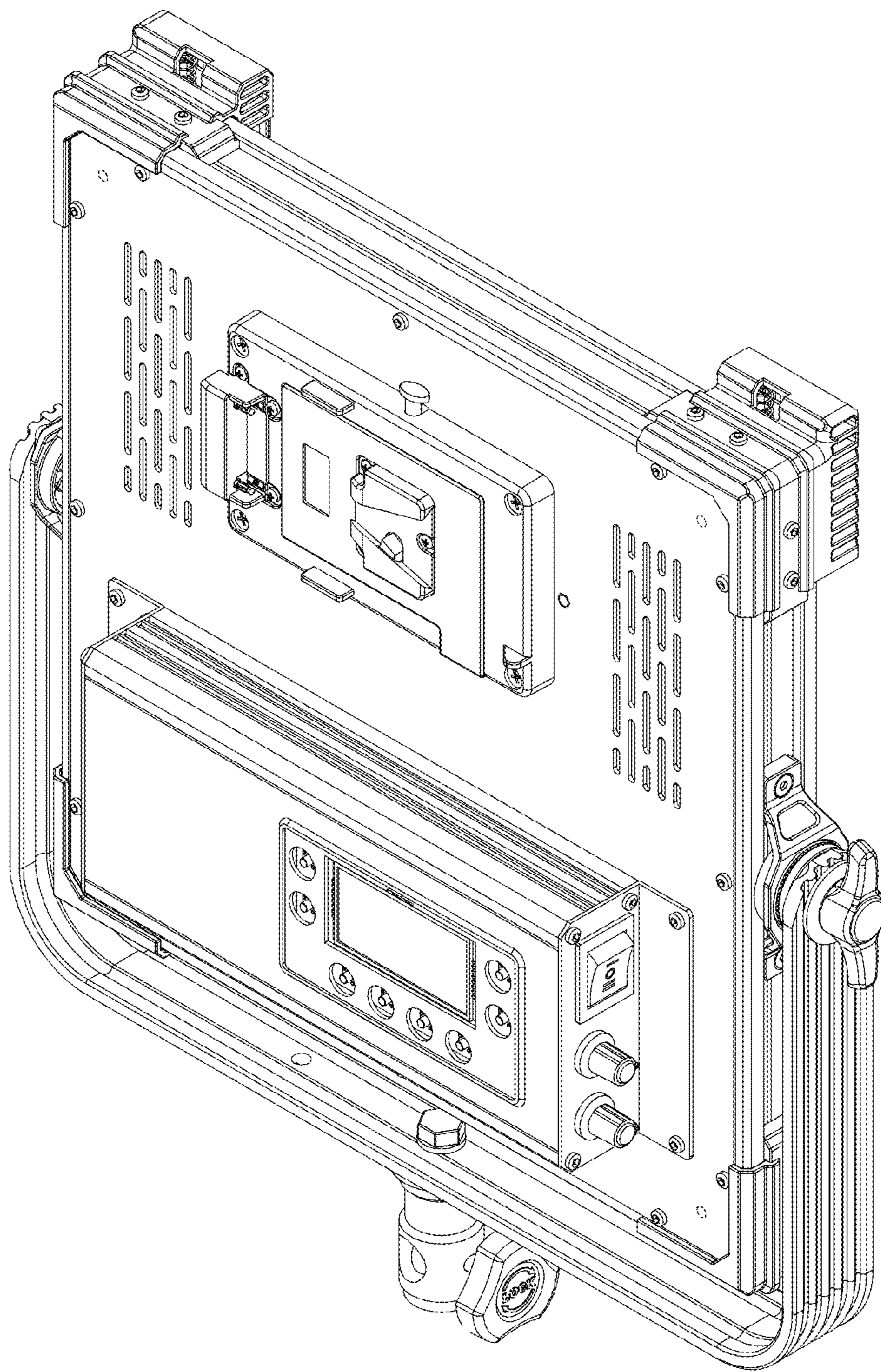


Fig. 8

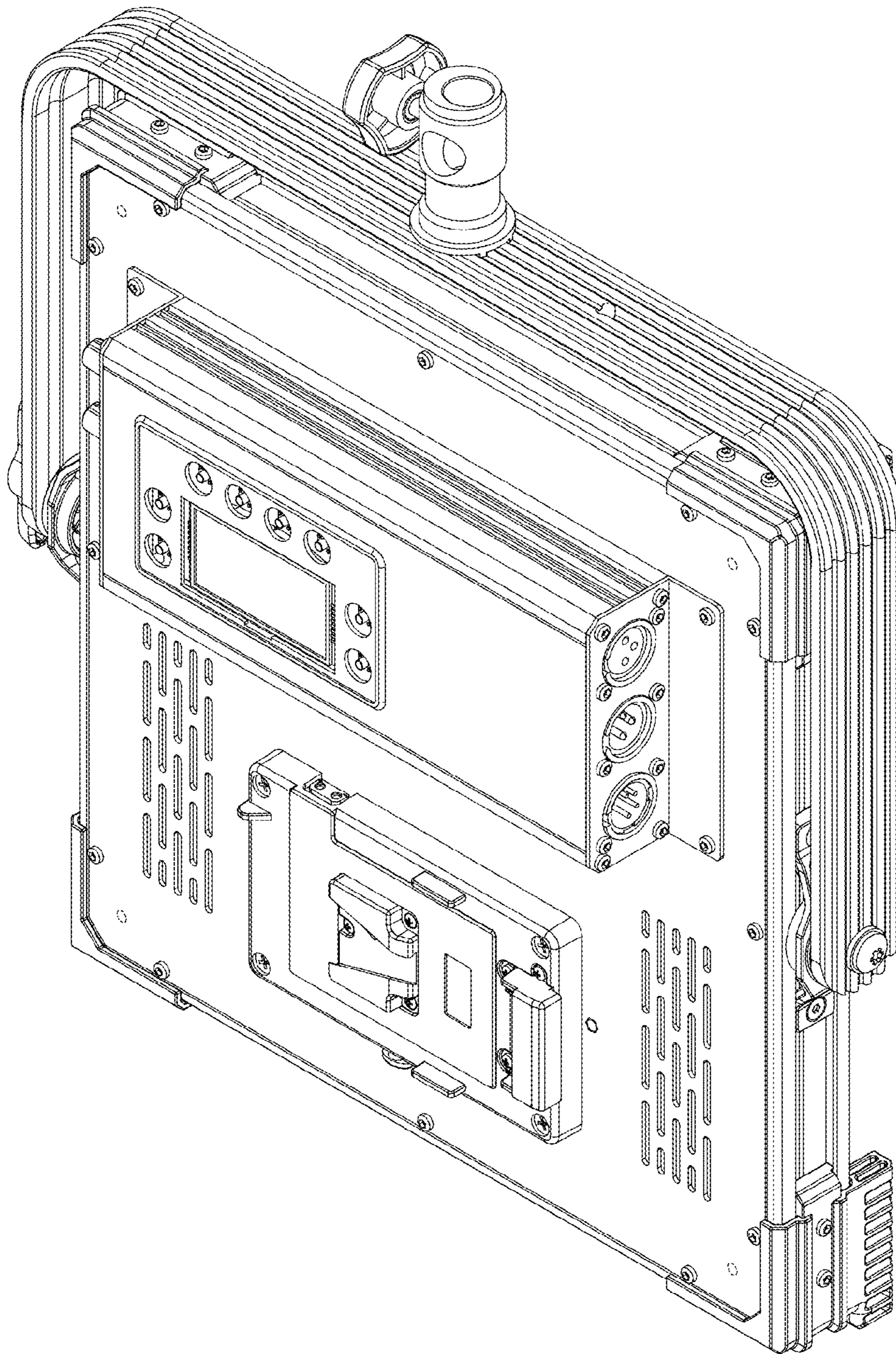


Fig. 9