

US00D869539S

(12) **United States Design Patent** (10) **Patent No.:** **US D869,539 S**
Hu (45) **Date of Patent:** **** Dec. 10, 2019**

(54) **SPORTS CAMERA**
(71) Applicant: **Shenzhen Baker AV Digital Technology Co., Ltd., Guangdong (CN)**
(72) Inventor: **Zhihui Hu, Guangdong (CN)**
(**) Term: **15 Years**
(21) Appl. No.: **29/602,560**
(22) Filed: **May 2, 2017**
(51) **LOC (12) Cl.** **16-01**
(52) **U.S. Cl.**
USPC **D16/200**
(58) **Field of Classification Search**
USPC D16/200, 202-204, 208, 211, 218, 219, D16/237, 242; D3/263, 267, 268; 248/176.1, 187.1; 348/81, 360, 373-376, 348/835; 396/25, 27-29, 419, 535, 396/539-541
CPC G03B 15/03; G03B 17/02; G03B 17/04; G03B 17/08; G03B 17/56; G03B 19/04; H04N 5/2251; H04N 5/2252; H04N 5/2253; H04N 5/2254; A45C 11/38
See application file for complete search history.

D710,921 S * 8/2014 Gioscia D16/200
D710,922 S * 8/2014 Gioscia D16/200
D725,169 S * 3/2015 Gioscia D16/200
D734,799 S * 7/2015 Woodman D16/200
D739,451 S * 9/2015 Gioscia D16/200
D750,146 S * 2/2016 Costa D16/200
D776,741 S * 1/2017 Parfitt D16/204
D804,560 S * 12/2017 Costa D16/200
D808,163 S * 1/2018 Song D3/269
2009/0317069 A1 * 12/2009 Yim G03B 17/08 396/27

* cited by examiner

Primary Examiner — Ramzi S Almatrahi

(74) *Attorney, Agent, or Firm* — Prakash Nama; Global IP Services, PLLC

(57) **CLAIM**

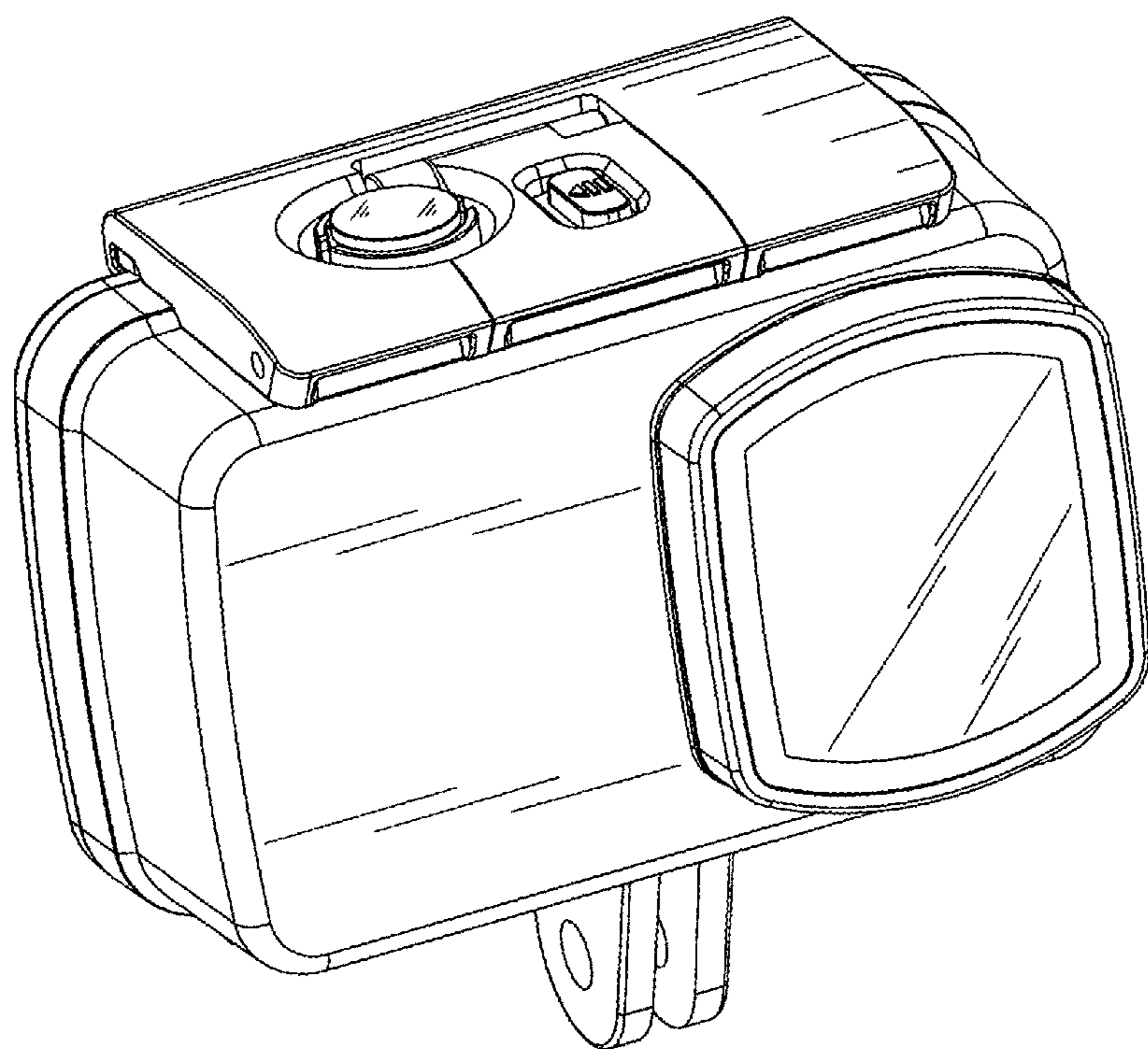
The ornamental design for a sports camera, as shown and described.

DESCRIPTION

FIG. 1 is a front elevational view of a sports camera showing my new design;
FIG. 2 is a rear elevational view thereof;
FIG. 3 is a left side view thereof;
FIG. 4 is a right side view thereof;
FIG. 5 is a top plan view thereof;
FIG. 6 is a bottom plan view thereof; and,
FIG. 7 is a perspective view thereof.
The broken lines depict portions of the sports camera in which the design is embodied that form no part of the claimed design

(56) **References Cited**
U.S. PATENT DOCUMENTS
8,014,656 B2 * 9/2011 Woodman B63B 25/002 396/25
D647,554 S * 10/2011 Yim D16/204
D702,747 S * 4/2014 Woodman D16/200

1 Claim, 6 Drawing Sheets



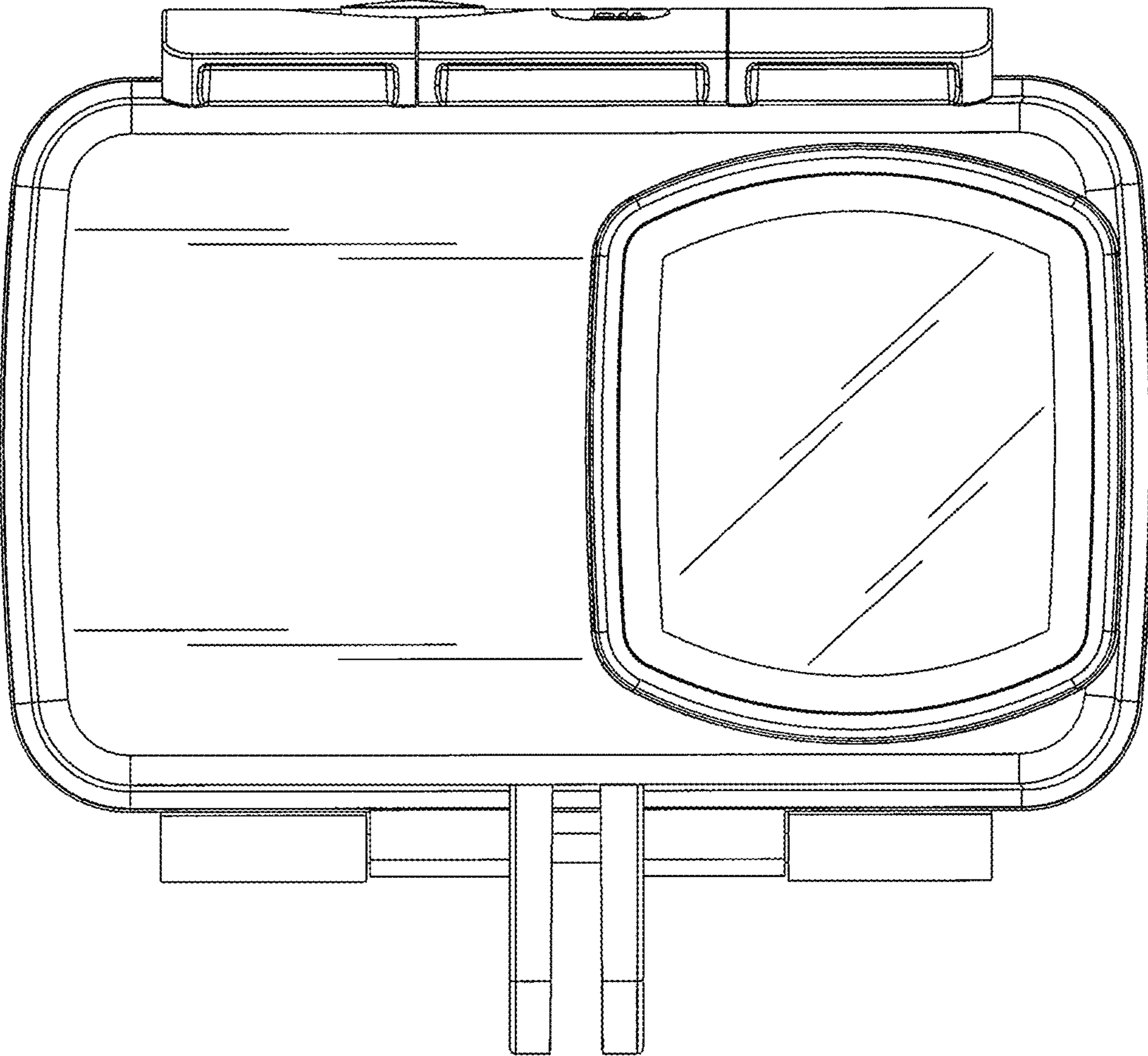


FIG. 1

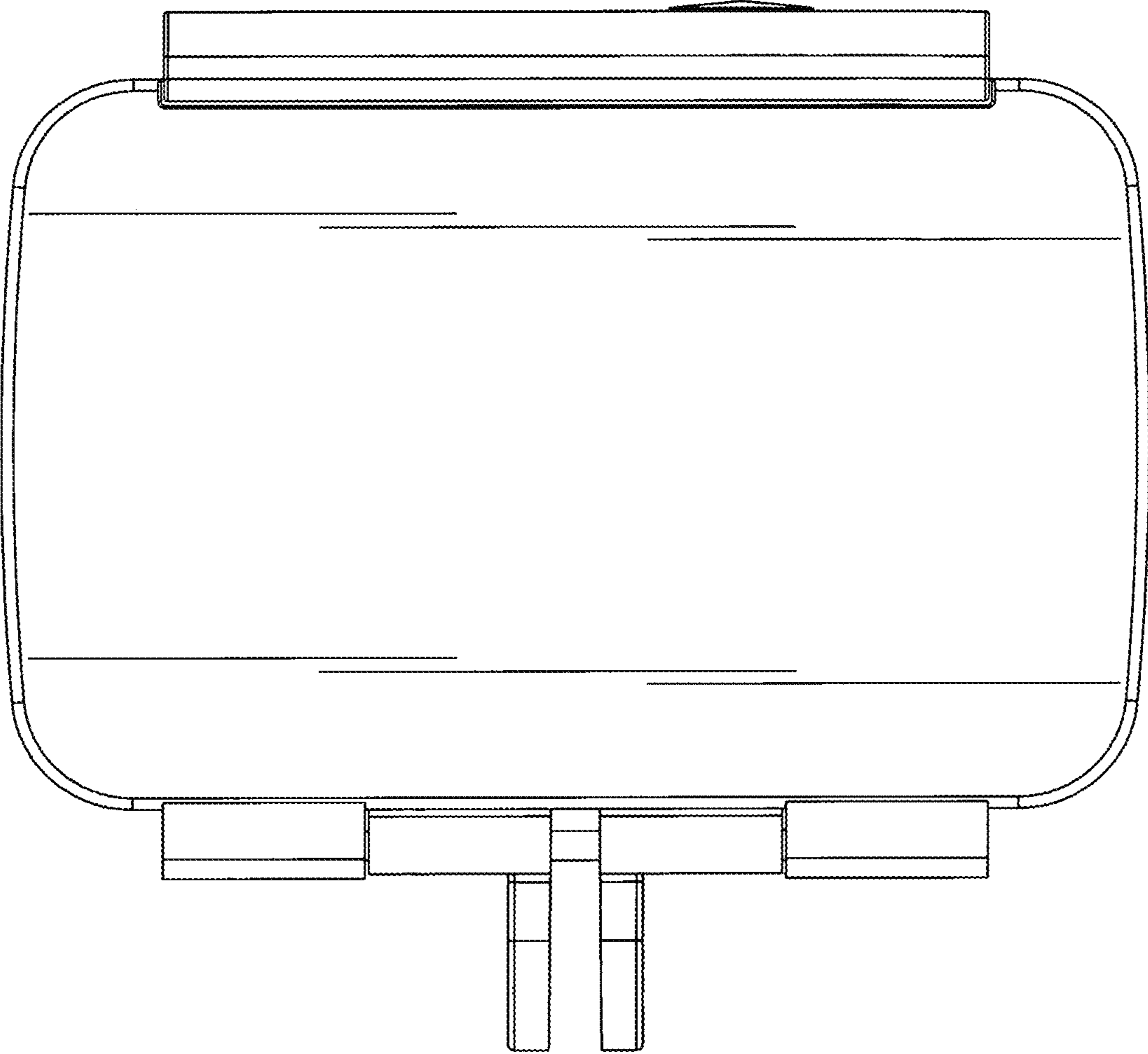


FIG. 2

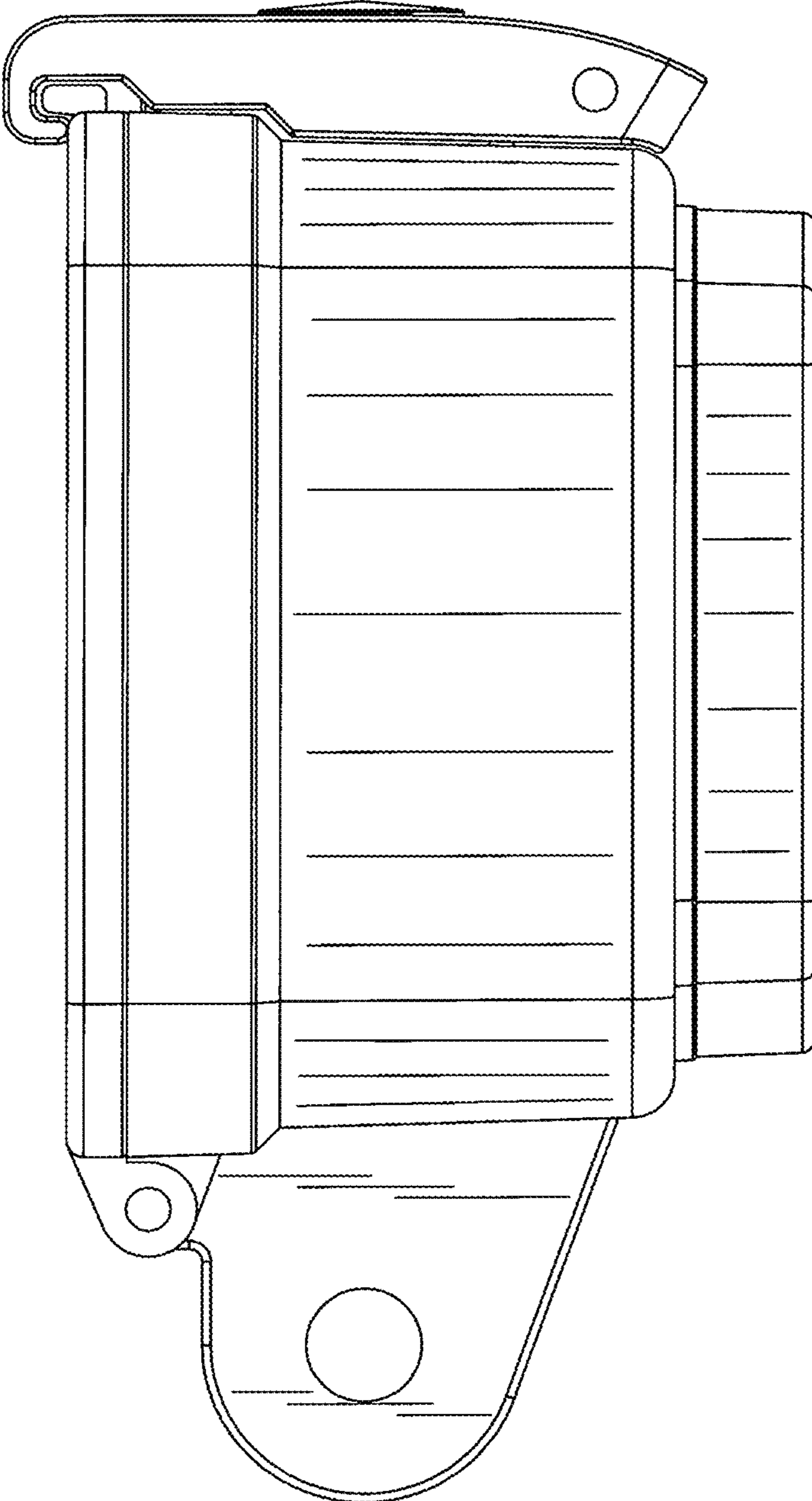


FIG. 3

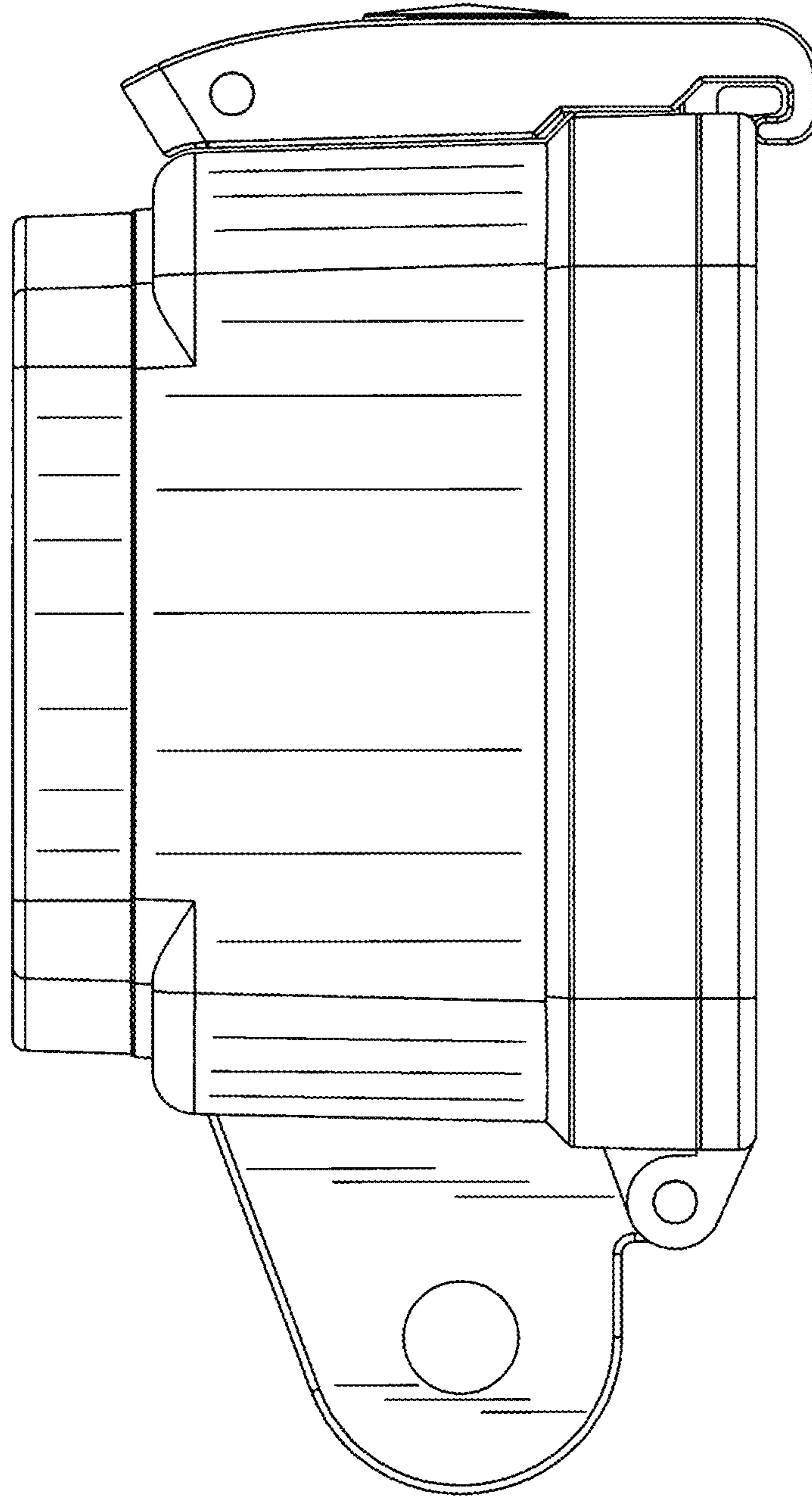


FIG. 4

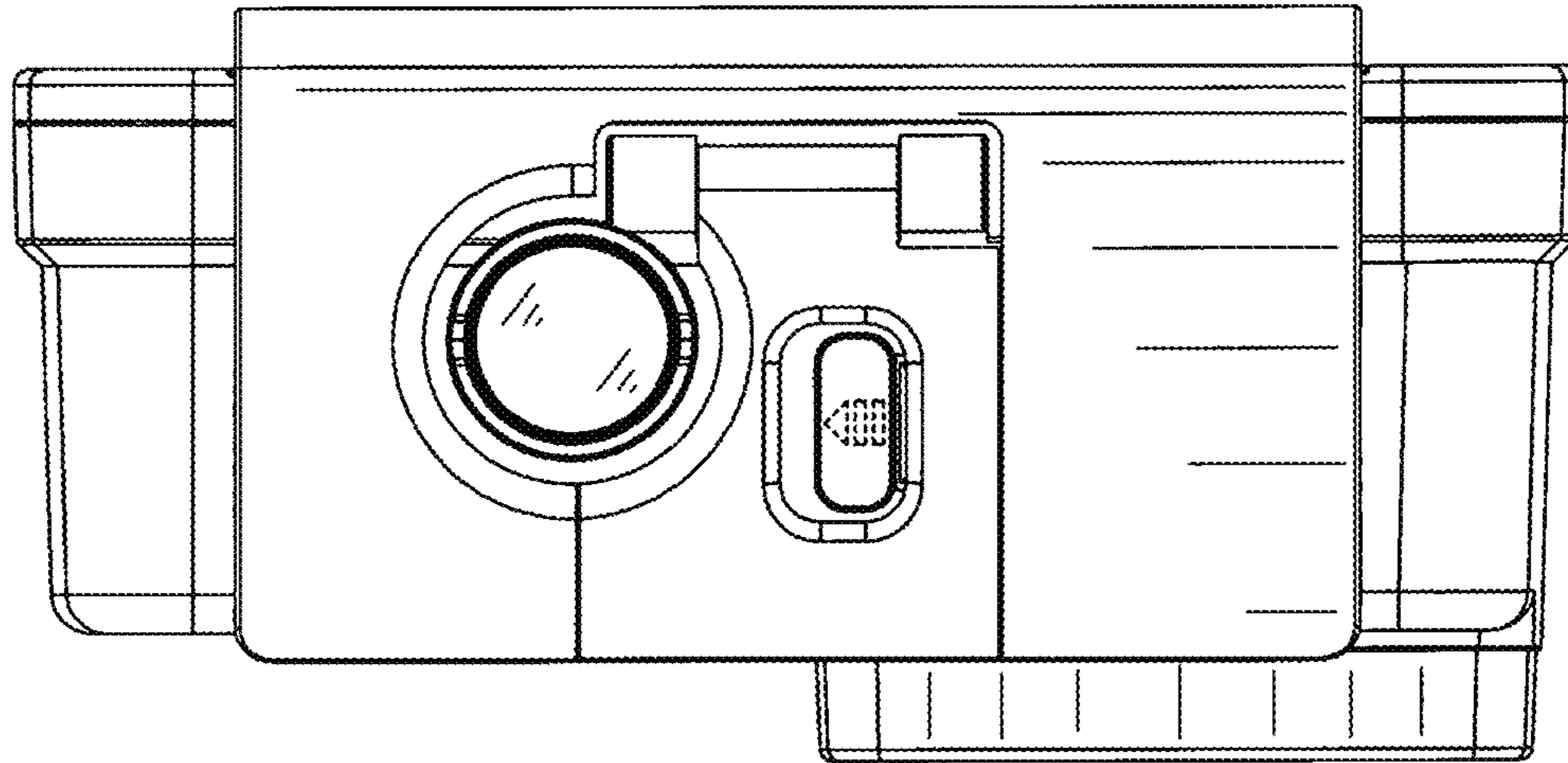


FIG. 5

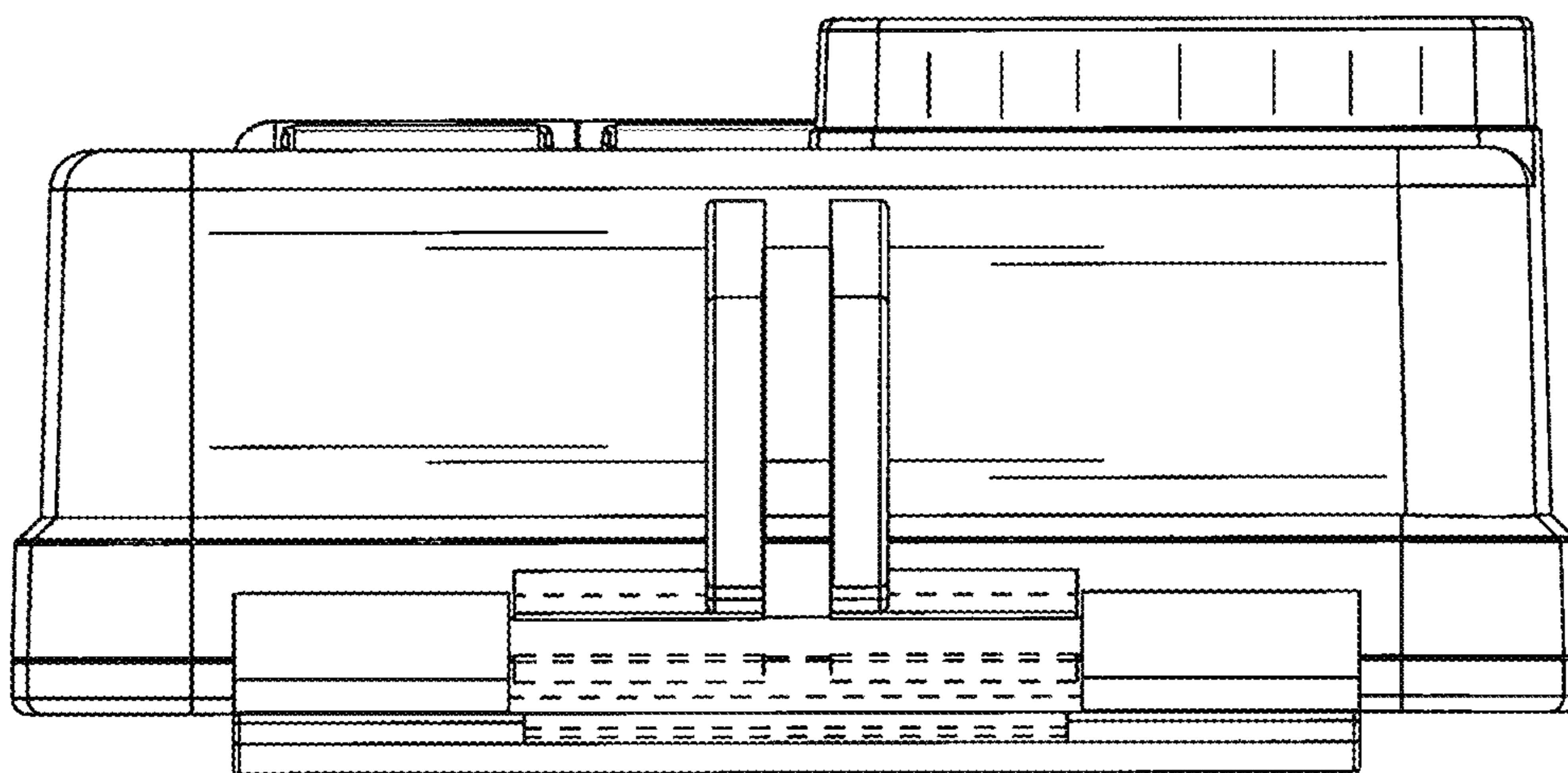


FIG. 6

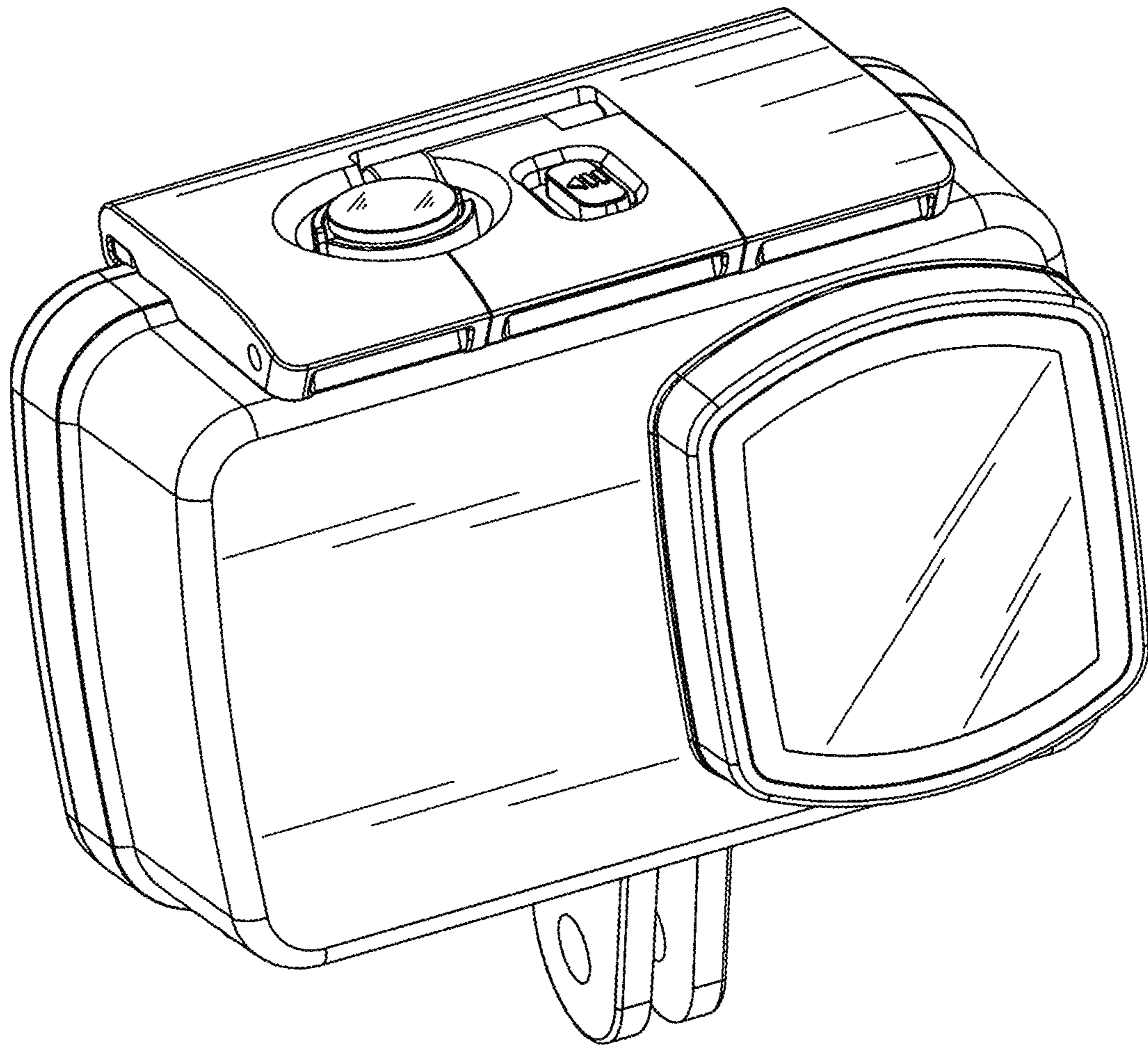


FIG. 7