

US00D869536S

(12) **United States Design Patent**
Schmitt

(10) **Patent No.:** **US D869,536 S**

(45) **Date of Patent:** **** *Dec. 10, 2019**

(54) **BINOCULARS**

(71) Applicant: **Carl Zeiss Sports Optics GmbH,**
Wetzlar (DE)

(72) Inventor: **Christoph Schmitt,** Biebertal (DE)

(73) Assignee: **Carl Zeiss AG,** Oberkochen (DE)

(*) Notice: This patent is subject to a terminal disclaimer.

(**) Term: **15 Years**

(21) Appl. No.: **29/648,033**

(22) Filed: **May 17, 2018**

(30) **Foreign Application Priority Data**

Nov. 20, 2017 (EM) 004513851-0004

(51) **LOC (12) Cl.** **16-06**

(52) **U.S. Cl.**
USPC **D16/133**

(58) **Field of Classification Search**
USPC D16/130, 133, 136, 237, 202, 208, 218;
D14/168

CPC G02B 23/00; G02B 23/18
See application file for complete search history.

(56) **References Cited**

U.S. PATENT DOCUMENTS

D394,665 S * 5/1998 Akabane D16/133
D567,275 S * 4/2008 Hayamizu D16/133
D579,472 S * 10/2008 Yanagisawa D16/133
D590,855 S * 4/2009 Watanabe D16/133
D621,431 S * 8/2010 Holbl D16/133

D672,381 S * 12/2012 Wunnicke D16/133
D681,709 S * 5/2013 Radau D16/133
D684,202 S * 6/2013 Radau D16/133
D693,867 S * 11/2013 Radau D16/133
D713,437 S * 9/2014 Soejima D16/133
D748,177 S * 1/2016 Radau D16/133
D783,073 S * 4/2017 Radau D16/133
D816,749 S * 5/2018 Kung D16/133
D841,072 S * 2/2019 Proll D16/133

* cited by examiner

Primary Examiner — Holly E Thurman

(74) *Attorney, Agent, or Firm* — Falk Ewers; Ewers IP Law PLLC

(57) **CLAIM**

The ornamental design for binoculars, as shown and described.

DESCRIPTION

The file of this patent contains at least one drawing/photograph executed in color. Copies of this patent with color drawing(s)/photograph(s) will be provided by the Office upon request and payment of the necessary fee.

FIG. 1 is a top perspective view of binoculars showing my new design;

FIG. 2 is a bottom perspective view thereof;

FIG. 3 is a top plan view thereof;

FIG. 4 is a bottom plan view thereof;

FIG. 5 is a right side view thereof;

FIG. 6 is a left side view thereof;

FIG. 7 is a rear view thereof; and,

FIG. 8 is a front view thereof.

1 Claim, 8 Drawing Sheets
(8 of 8 Drawing Sheet(s) Filed in Color)

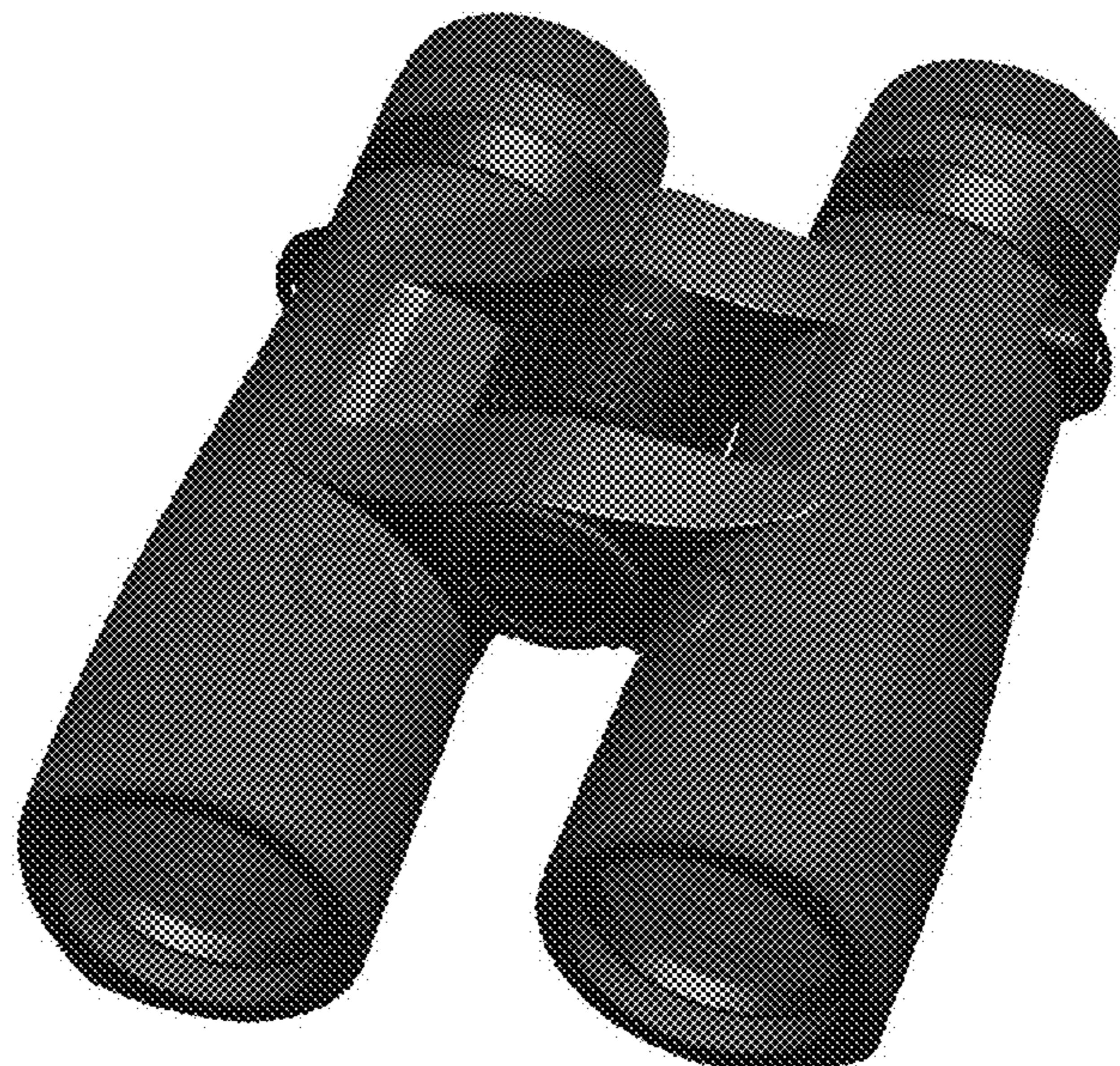




FIG. 1



FIG. 2



FIG. 3



FIG. 4

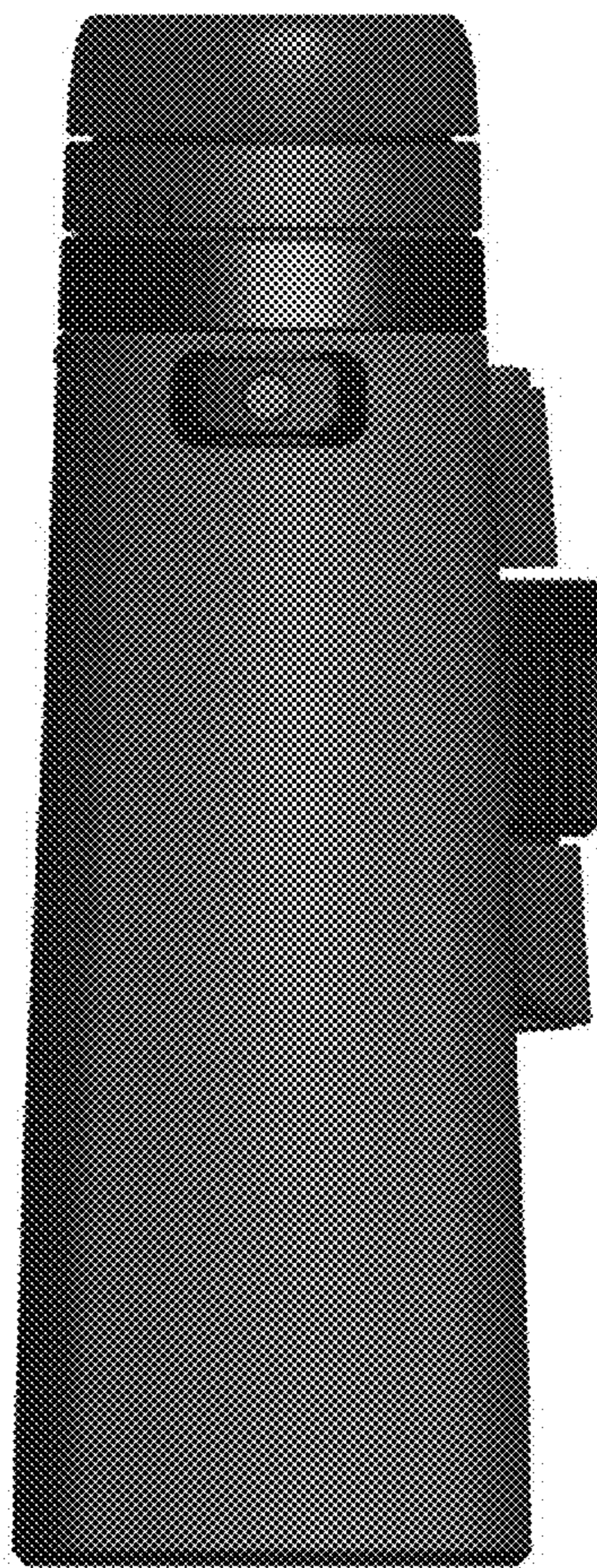


FIG. 5

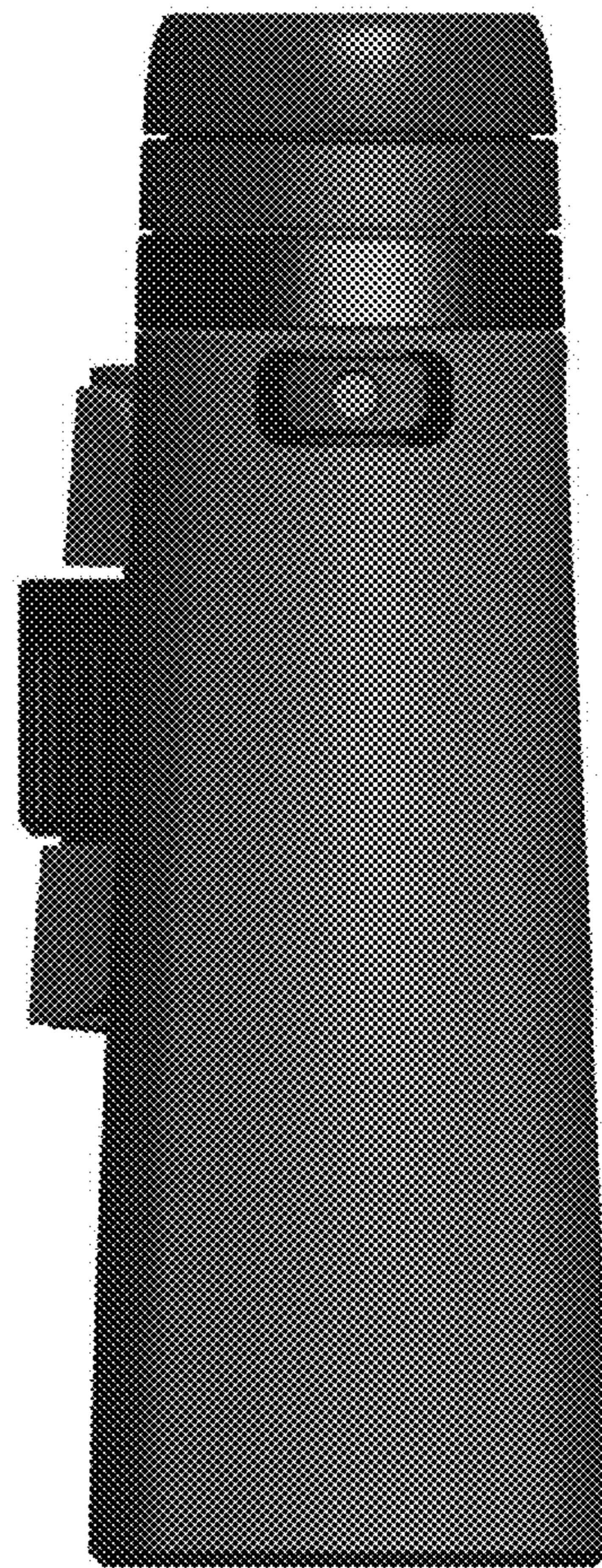


FIG. 6

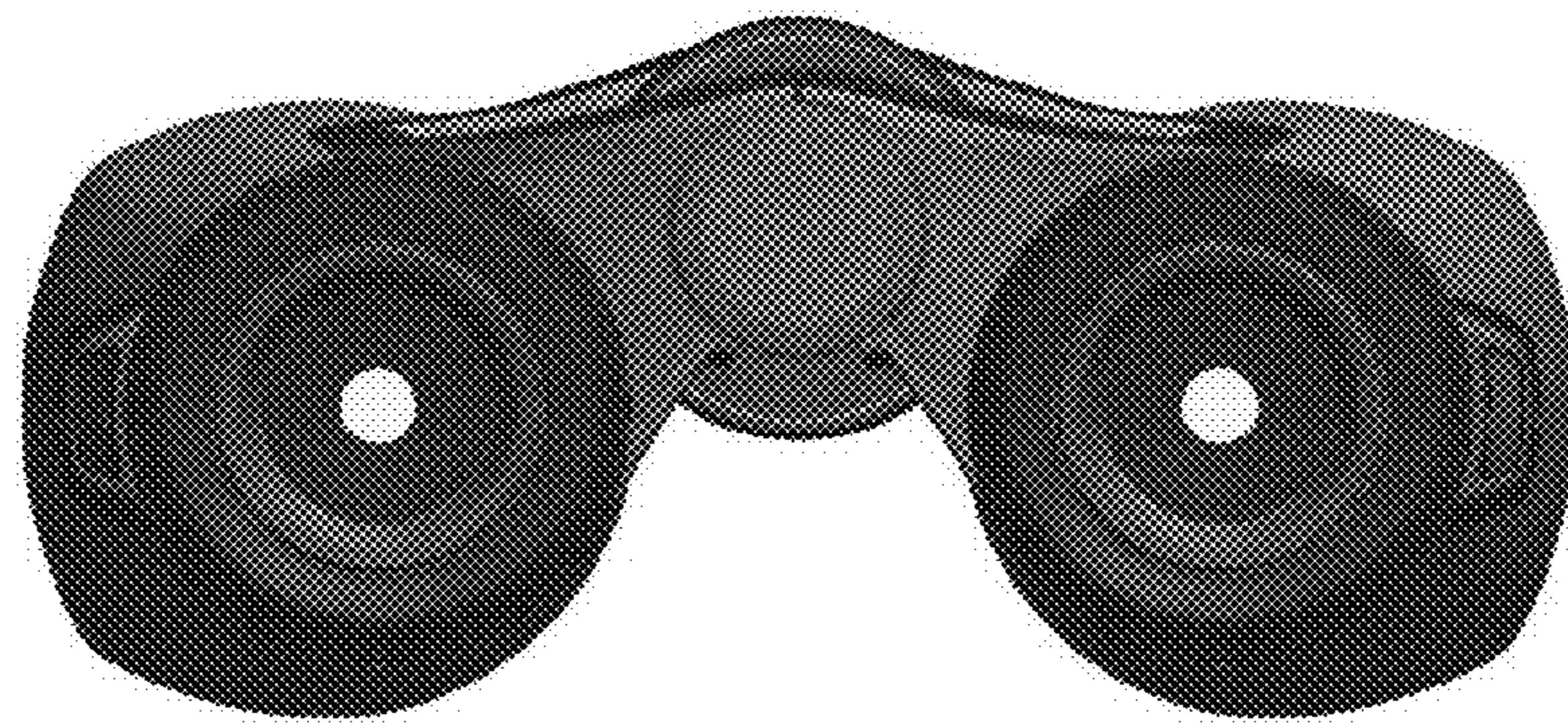


FIG. 7



FIG. 8