



US00D869535S

(12) **United States Design Patent** (10) **Patent No.:** **US D869,535 S**  
**Schmitt** (45) **Date of Patent:** **\*\* \*Dec. 10, 2019**

(54) **BINOCULARS**

(71) Applicant: **Carl Zeiss Sports Optics GmbH,**  
Wetzlar (DE)

(72) Inventor: **Christoph Schmitt,** Biebertal (DE)

(73) Assignee: **Carl Zeiss AG,** Oberkochen (DE)

(\* ) Notice: This patent is subject to a terminal disclaimer.

(\*\*) Term: **15 Years**

(21) Appl. No.: **29/648,022**

(22) Filed: **May 17, 2018**

(30) **Foreign Application Priority Data**

Nov. 20, 2017 (EM) ..... 004513851-0003

(51) **LOC (12) Cl.** ..... **16-06**

(52) **U.S. Cl.**  
USPC ..... **D16/133**

(58) **Field of Classification Search**  
USPC ..... D16/130, 133, 136, 237, 202, 208, 218;  
D14/168  
CPC ..... G02B 23/00; G02B 23/18  
See application file for complete search history.

(56) **References Cited**

**U.S. PATENT DOCUMENTS**

D394,665 S \* 5/1998 Akabane ..... D16/133  
D567,275 S \* 4/2008 Hayamizu ..... D16/133  
D579,472 S \* 10/2008 Yanagisawa ..... D16/133  
D590,855 S \* 4/2009 Watanabe ..... D16/133

D621,431 S \* 8/2010 Holbl ..... D16/133  
D672,381 S \* 12/2012 Wunnicke ..... D16/133  
D681,709 S \* 5/2013 Radau ..... D16/133  
D684,202 S \* 6/2013 Radau ..... D16/133  
D693,867 S \* 11/2013 Radau ..... D16/133  
D713,437 S \* 9/2014 Soejima ..... D16/133  
D748,177 S \* 1/2016 Radau ..... D16/133  
D783,073 S \* 4/2017 Radau ..... D16/133  
D816,749 S \* 5/2018 Kung ..... D16/133  
D841,072 S \* 2/2019 Proll ..... D16/133

\* cited by examiner

*Primary Examiner* — Holly E Thurman

(74) *Attorney, Agent, or Firm* — Falk Ewers; Ewers IP Law PLLC

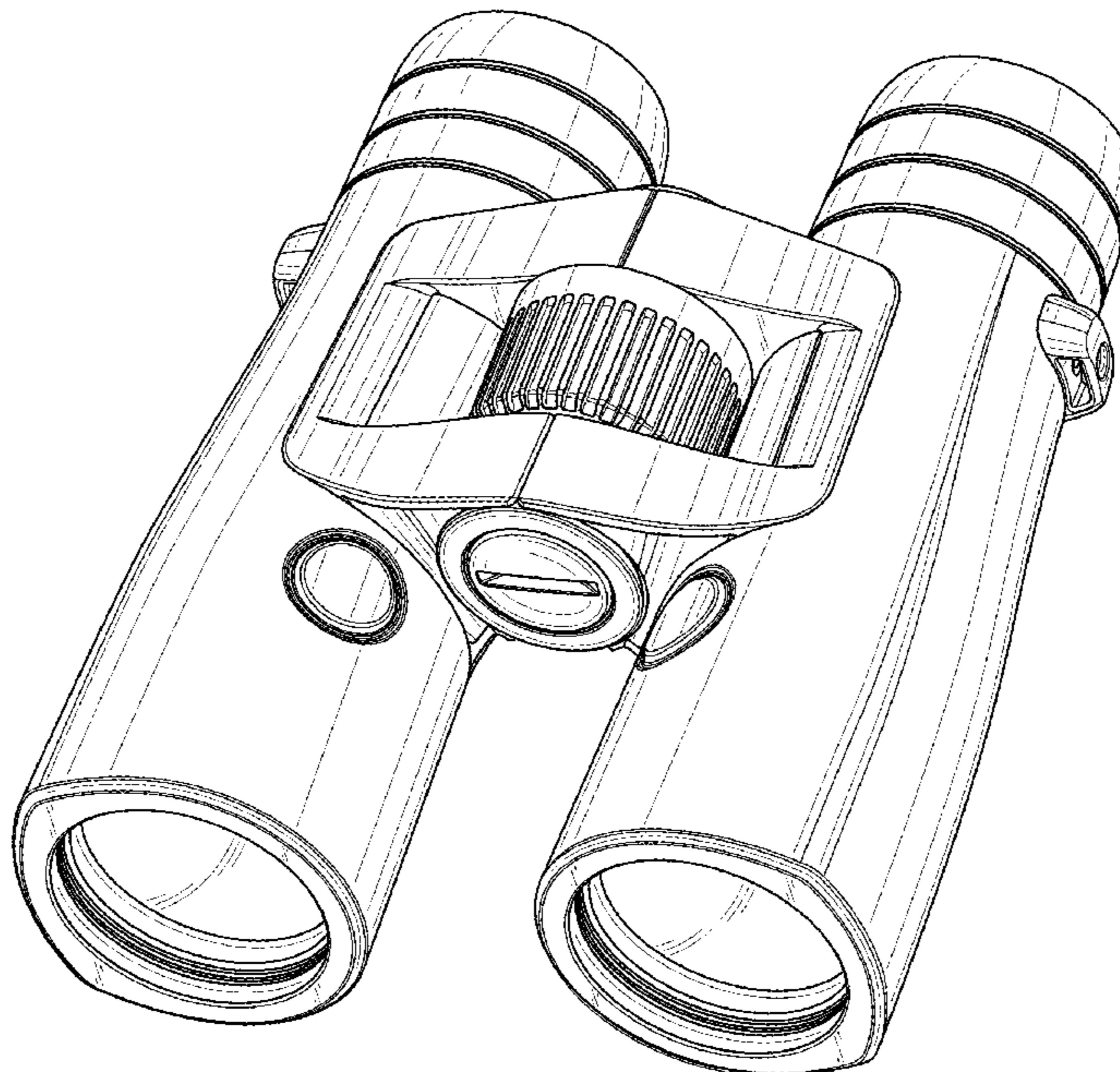
(57) **CLAIM**

The ornamental design for binoculars, as shown and described.

**DESCRIPTION**

FIG. 1 is a top perspective view of binoculars showing my new design;  
FIG. 2 is a bottom perspective view thereof;  
FIG. 3 is a top plan view thereof;  
FIG. 4 is a bottom plan view thereof;  
FIG. 5 is a right side view thereof;  
FIG. 6 is a left side view thereof;  
FIG. 7 is a rear view thereof; and,  
FIG. 8 is a front view thereof.  
The broken lines depict portions of the binoculars in which the design is embodied that form no part of the claimed design.

**1 Claim, 8 Drawing Sheets**



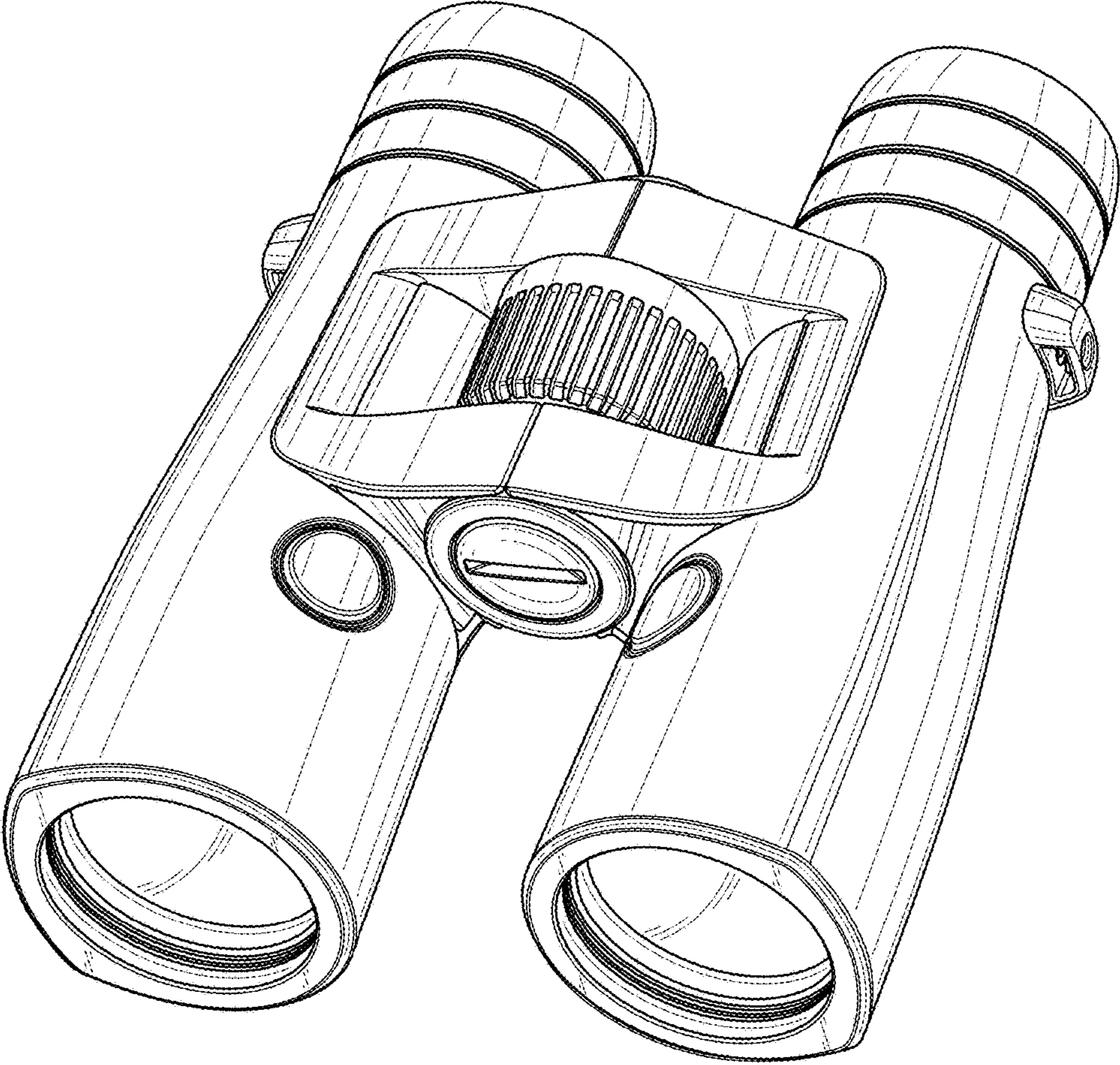


FIG. 1



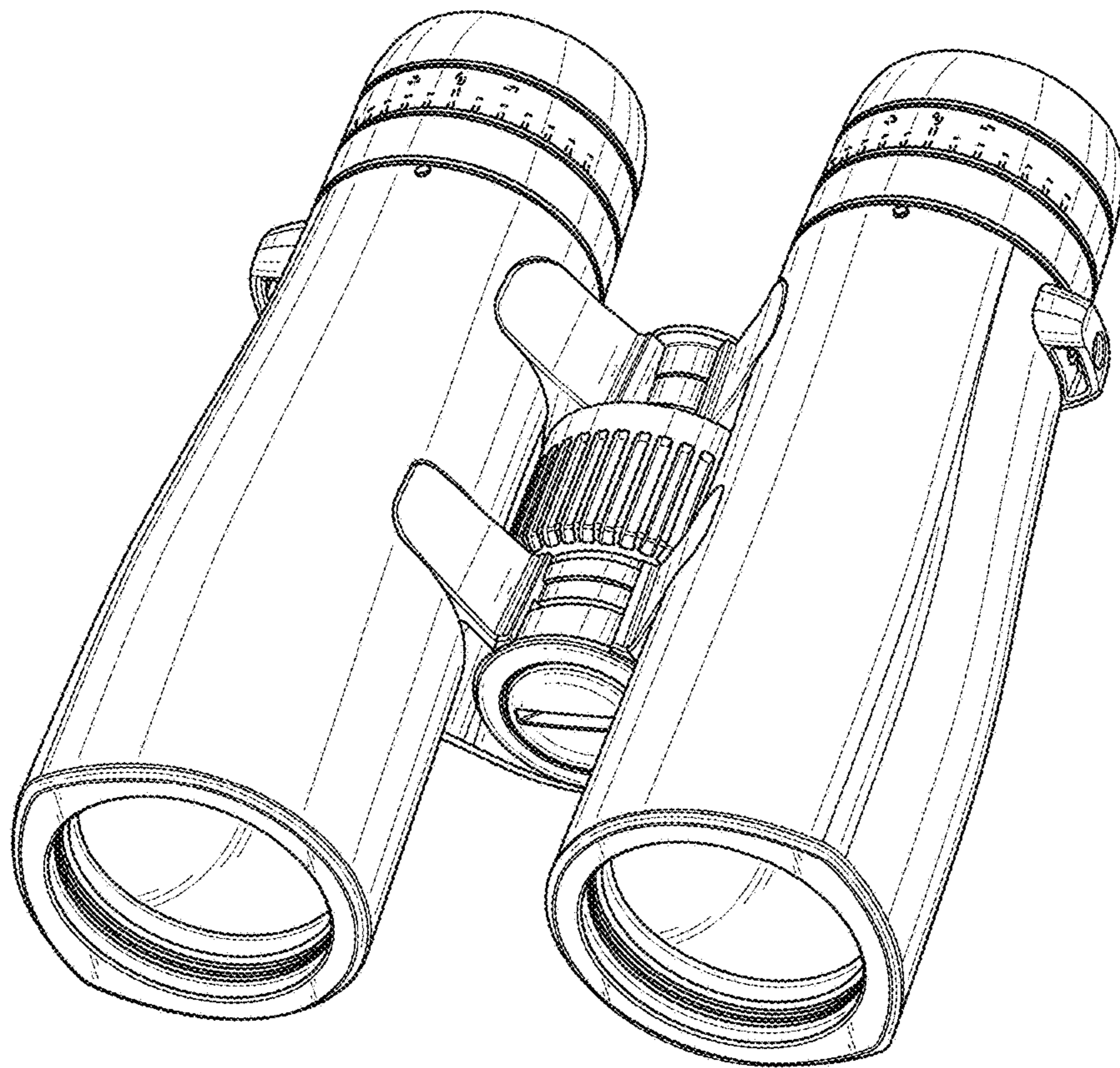


FIG. 2

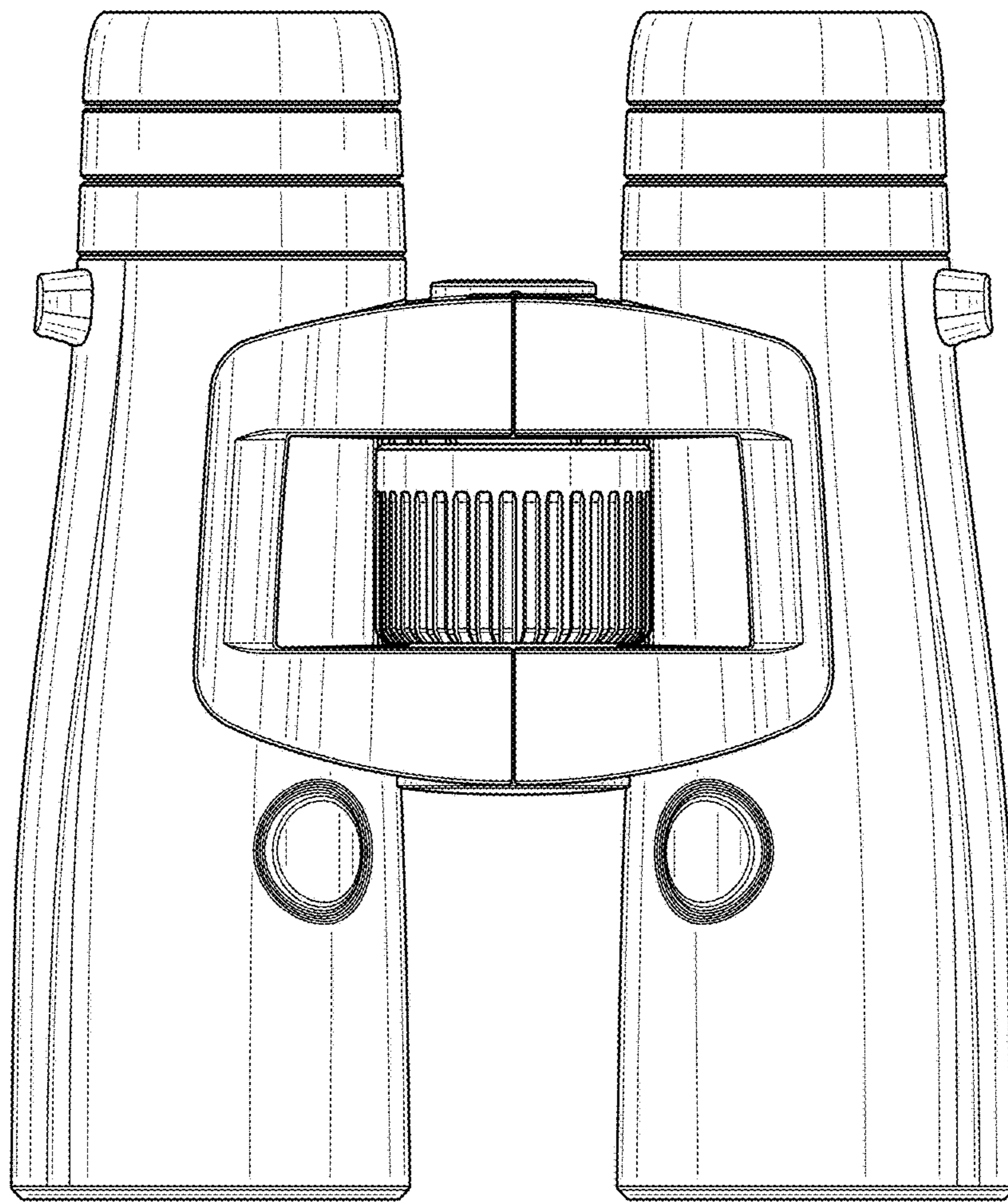


FIG. 3

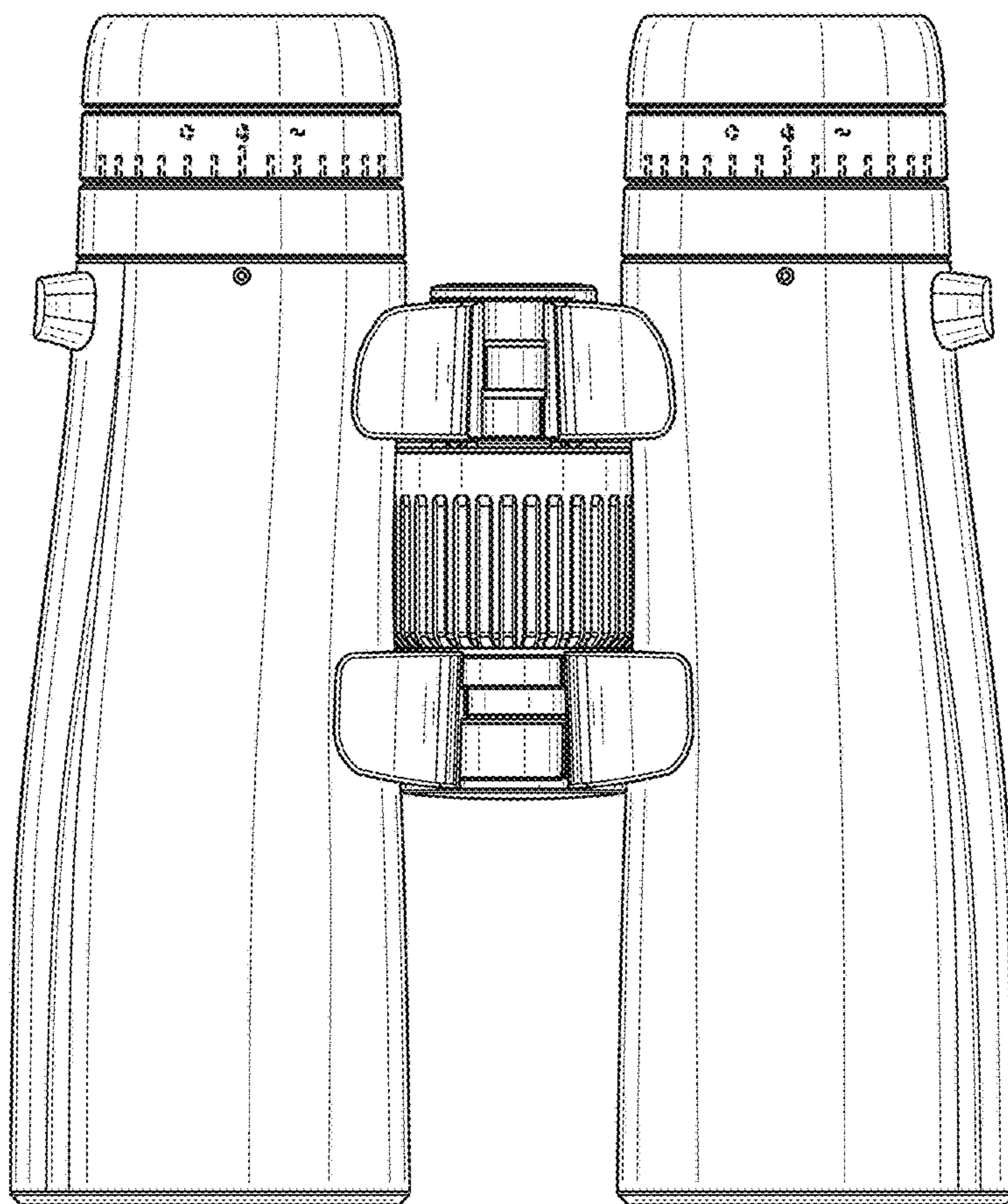


FIG. 4

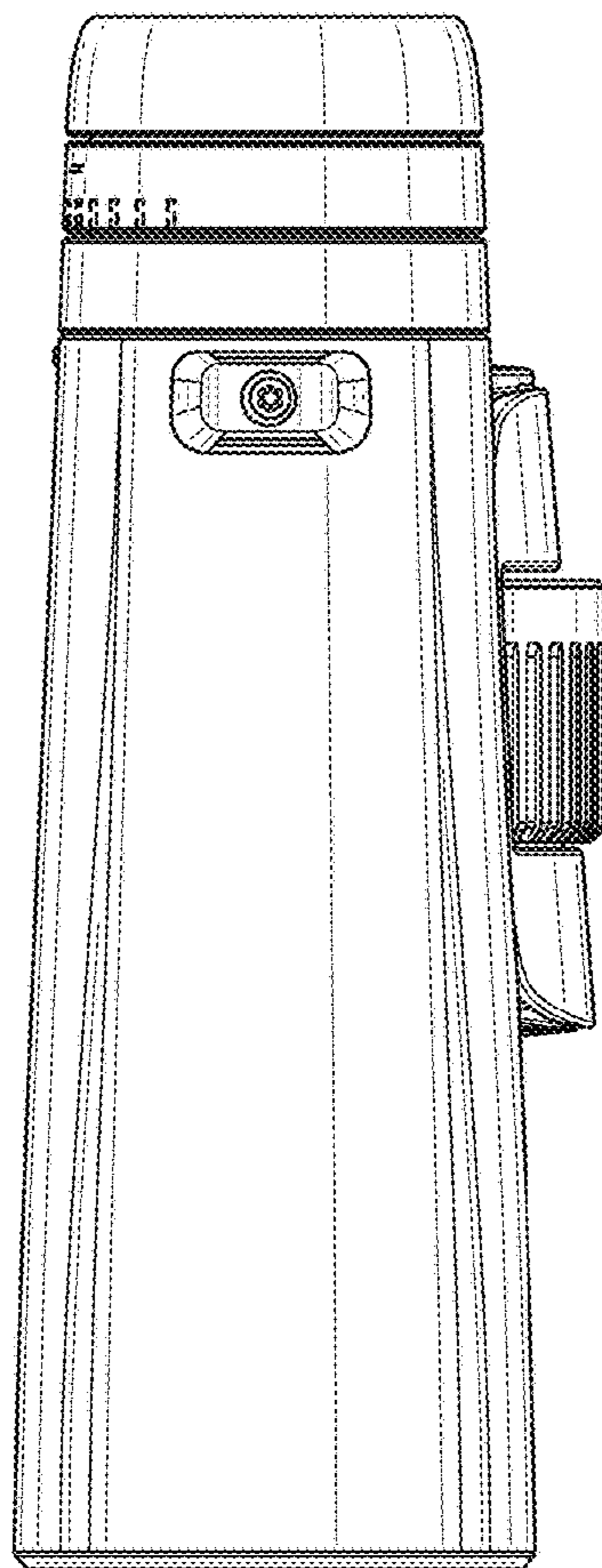


FIG. 5



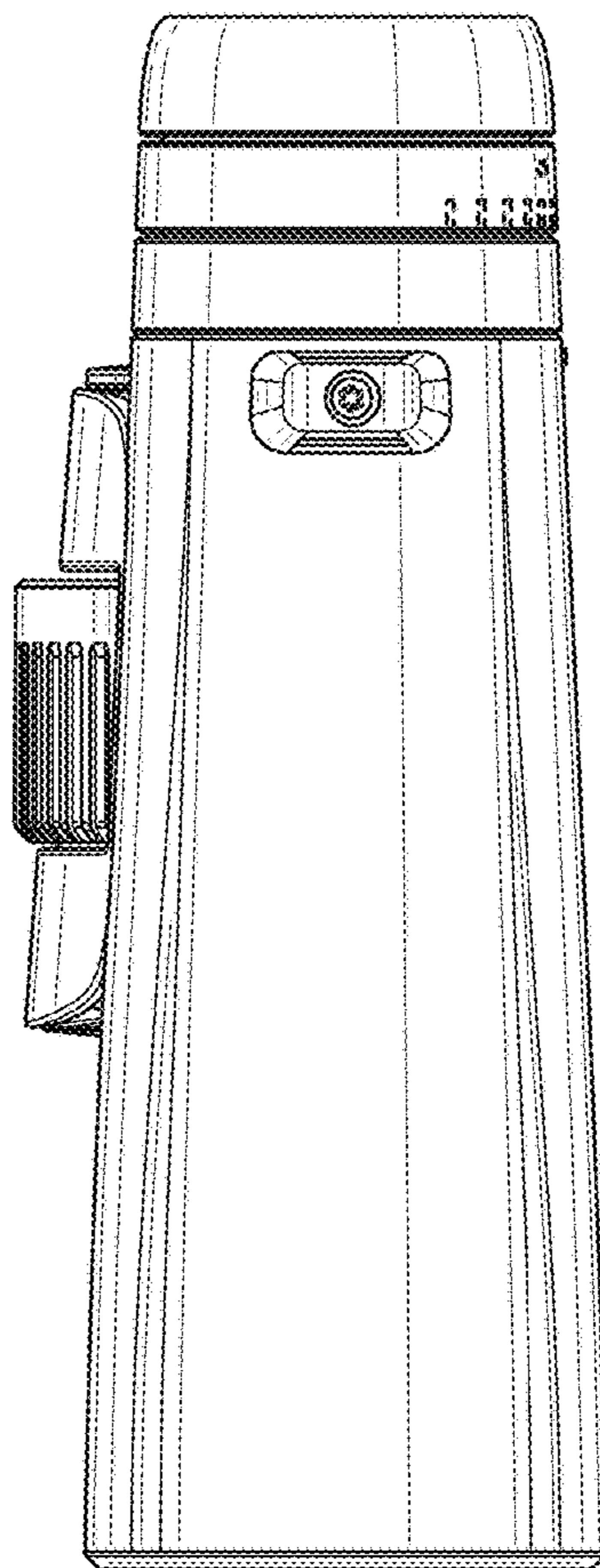


FIG. 6

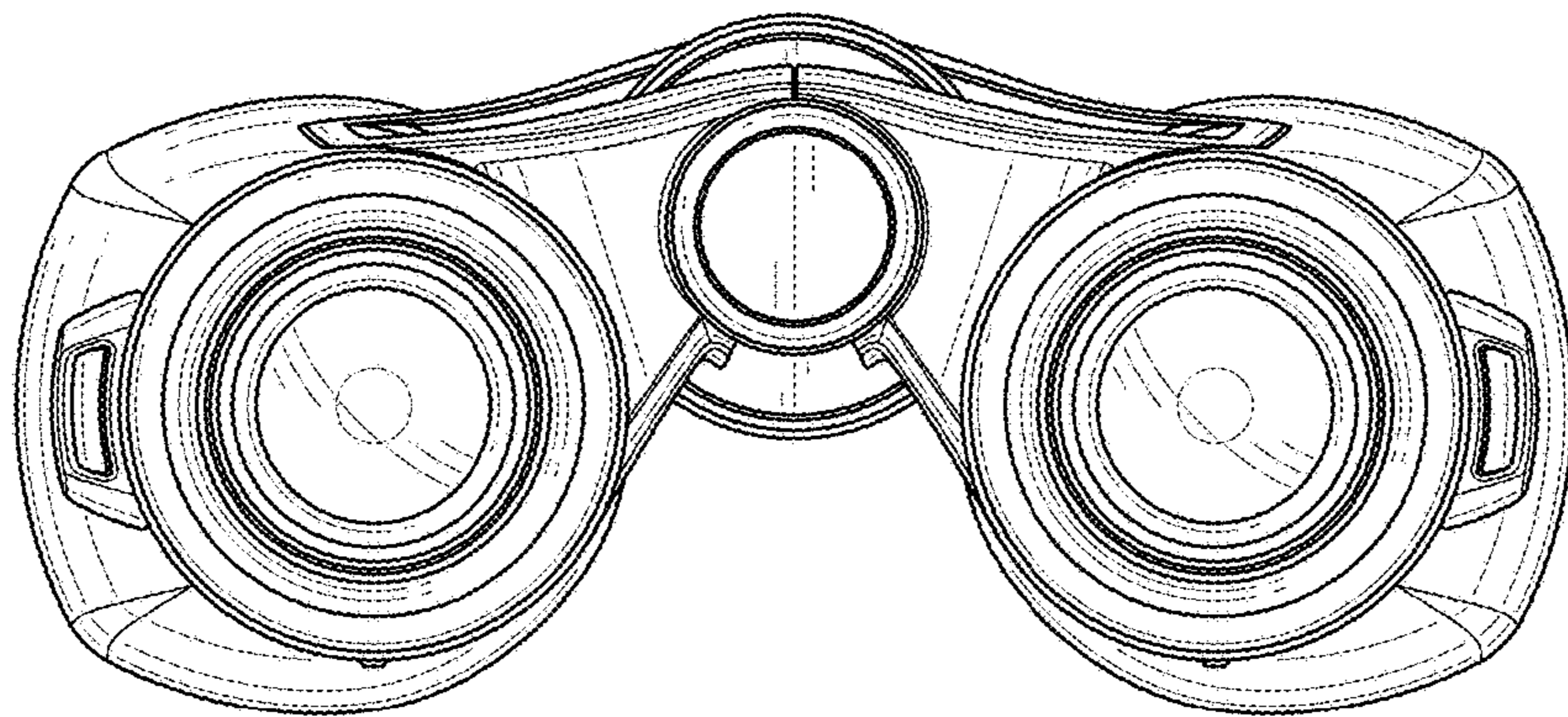


FIG. 7



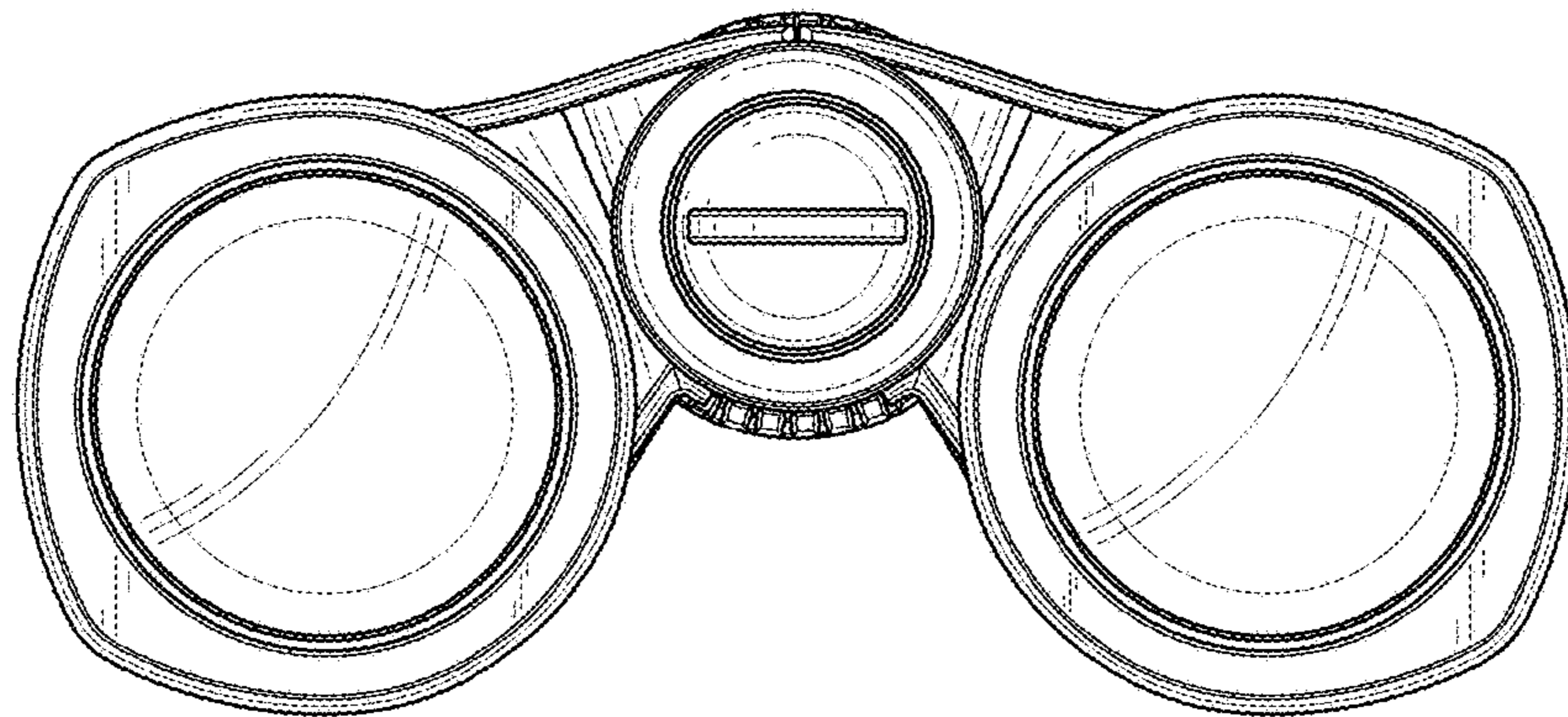


FIG. 8