



US00D869533S

(12) **United States Design Patent** (10) **Patent No.:** **US D869,533 S**
Kim et al. (45) **Date of Patent:** **** Dec. 10, 2019**

(54) **ROBOT FOR GUIDING PEOPLE**

(56) **References Cited**

(71) Applicant: **LG ELECTRONICS INC.**, Seoul (KR)

U.S. PATENT DOCUMENTS

(72) Inventors: **Jinsu Kim**, Seoul (KR); **Hyunjung Kim**, Seoul (KR); **Taewoo Yoo**, Seoul (KR); **Jihyun Lee**, Seoul (KR); **Soonho Jung**, Seoul (KR)

4,717,364 A *	1/1988	Furukawa	A63H 11/00 367/198
D298,766 S *	11/1988	Tanno	D21/578
D456,080 S *	4/2002	Karlsson	D24/185
D549,756 S *	8/2007	Park	D15/199
D563,443 S *	3/2008	Ahn	D15/199
D566,737 S *	4/2008	Matsuda	D15/199
D572,739 S *	7/2008	Jennings	D15/199
D579,035 S *	10/2008	Kim	B25J 11/008 D15/199
D608,804 S *	1/2010	Labak	D15/199
D631,074 S *	1/2011	Peters	D15/144
D635,603 S *	4/2011	Paz Rodriguez	D15/199
D644,256 S *	8/2011	Kitano	D15/199
D663,333 S *	7/2012	Kitano	D15/199
D675,656 S *	2/2013	Sutherland	D15/199
8,494,675 B2 *	7/2013	Ichinose	G05D 1/024 700/245

(73) Assignee: **LG Electronics Inc.**, Seoul (KR)

(**) Term: **15 Years**

(21) Appl. No.: **35/505,292**

(22) Filed: **Jan. 10, 2018**

(80) **Hague Agreement Data**

Int. Filing Date: **Jan. 10, 2018**
Int. Reg. No.: **DM/100729**
Int. Reg. Date: **Jan. 10, 2018**
Int. Reg. Pub. Date: **Jul. 13, 2018**

(30) **Foreign Application Priority Data**

Jan. 4, 2018 (KR) 30-2018-0000641

(51) **LOC (12) Cl.** **19-99**

(52) **U.S. Cl.**
USPC **D15/199**
CPC **A63H 11/00** (2013.01)

(58) **Field of Classification Search**
USPC D15/10-13, 22, 122, 199; D14/159, 176,
D14/209.1, 216, 221, 239, 265, 496, 497,
D14/508, 509, 125; D10/22, 23, 25, 28;
D7/300, 305-311, 397-400
CPC A63H 11/00; A63H 2200/00; B25J 9/00;
B25J 9/04; B25J 918/00; G06N 3/00;
G06N 3/004; G06N 3/008

See application file for complete search history.

(Continued)

Primary Examiner — Richard E Chilcot
(74) *Attorney, Agent, or Firm* — Birch, Stewart, Kolasch & Birch, LLP

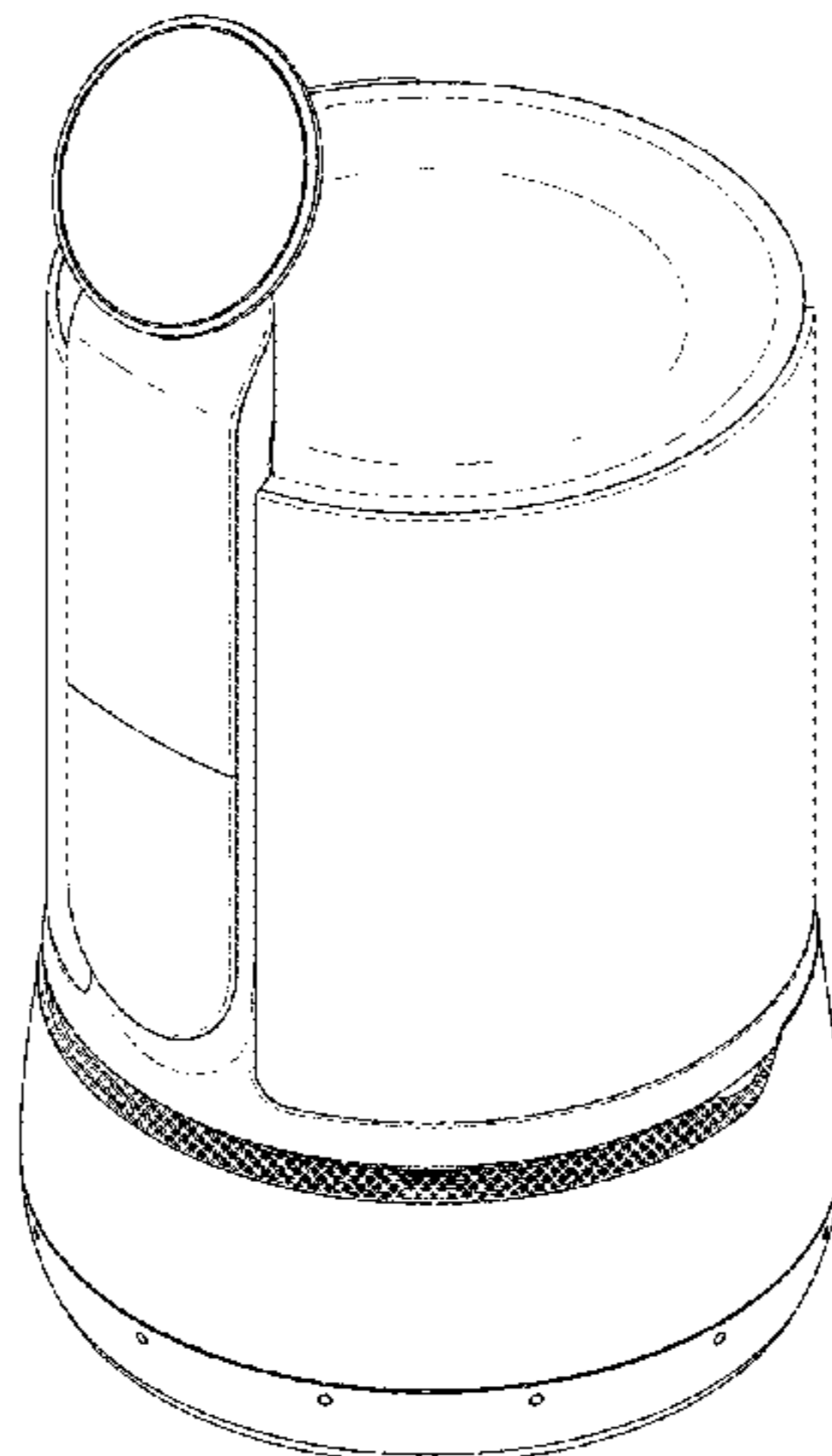
(57) **CLAIM**

The ornamental design for a robot for guiding people, as shown and described.

DESCRIPTION

1. Robot for guiding people
- 1.1 : Perspective
- 1.2 : Front
- 1.3 : Back
- 1.4 : Left
- 1.5 : Right
- 1.6 : Top
- 1.7 : Bottom
- 1.8 : Another perspective view of the robot for guiding people.

(Continued)



The broken lines in reproduction 1.8 are for the purpose of illustrating environmental structure and form no part of the claimed design.

1 Claim, 7 Drawing Sheets

(56)

References Cited

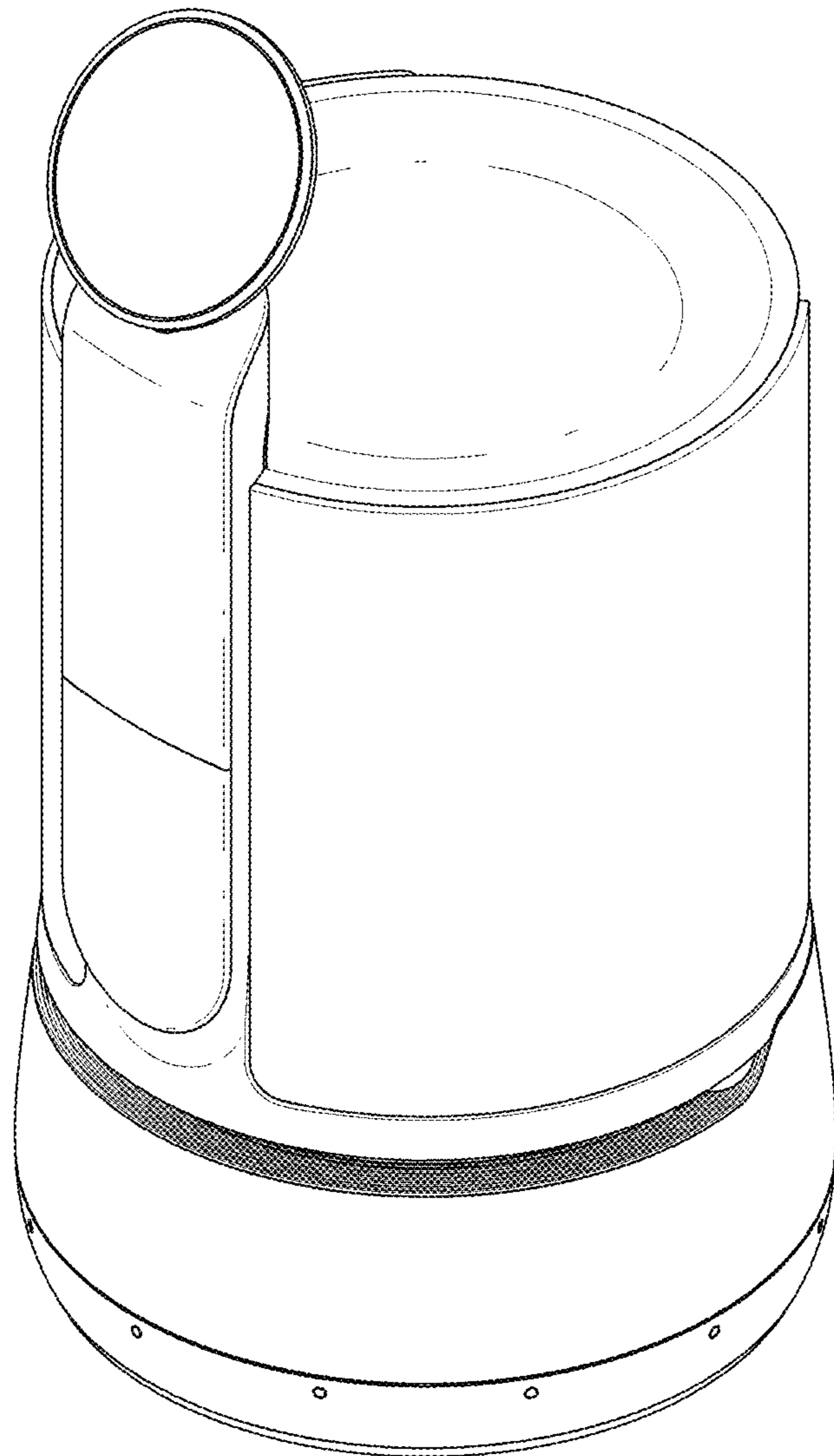
U.S. PATENT DOCUMENTS

8,620,547 B2 * 12/2013 Monsere B60T 8/885
701/22
D701,256 S * 3/2014 Song D15/199
D720,378 S * 12/2014 Dye D15/199
8,935,006 B2 * 1/2015 Vu B25J 5/007
700/264
D725,166 S * 3/2015 Paik D15/199
D732,096 S * 6/2015 Jang D15/199
D735,258 S * 7/2015 Jang D15/199
D739,450 S * 9/2015 Jain D15/199
D752,668 S * 3/2016 Pedersen D15/199
9,291,698 B2 * 3/2016 Watanabe G01S 5/0072

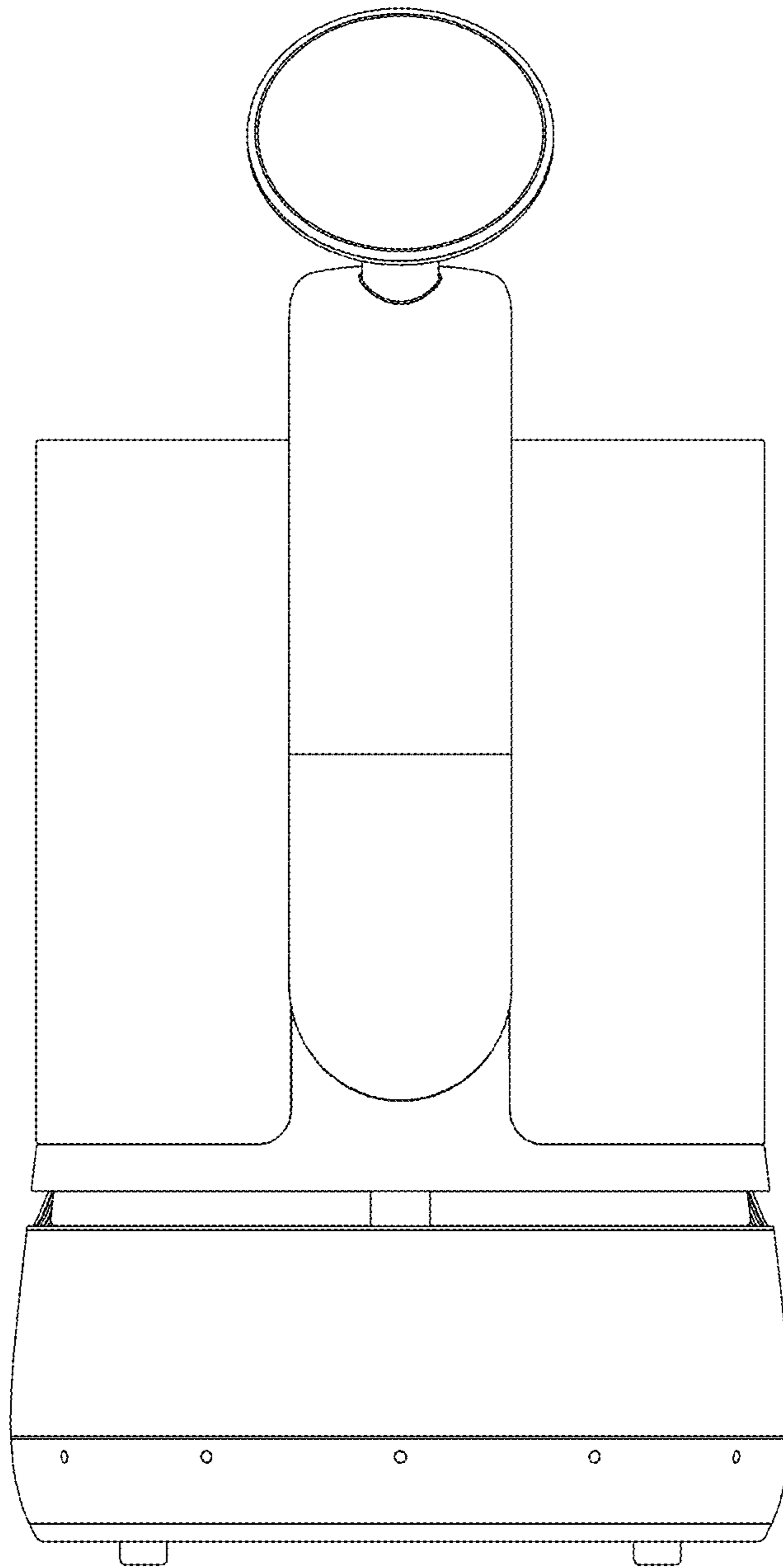
D761,339 S * 7/2016 White, Jr. D15/199
D761,894 S * 7/2016 Ho D15/199
D769,953 S * 10/2016 Bauman D15/199
9,469,031 B2 * 10/2016 Saito B25J 9/1676
D781,945 S * 3/2017 Uno D15/199
D802,040 S * 11/2017 Canoso D15/199
D810,167 S * 2/2018 Yang D15/199
D810,800 S * 2/2018 Wang D15/199
D811,458 S * 2/2018 Wang D15/199
D813,284 S * 3/2018 Wei D15/199
D813,285 S * 3/2018 Wei D15/199
D817,375 S * 5/2018 Deyle D15/199
D820,334 S * 6/2018 Lee D15/199
D826,303 S * 8/2018 Metta D15/199
2007/0132419 A1 * 6/2007 Hashimoto B25J 5/007
318/568.12
2008/0147261 A1 * 6/2008 Ichinose G01C 22/006
701/24
2009/0169347 A1 * 7/2009 Teng B25J 5/00
414/401
2015/0190927 A1 * 7/2015 Sutherland H04W 4/70
700/259
2018/0178375 A1 * 6/2018 Yang B25J 5/007

* cited by examiner

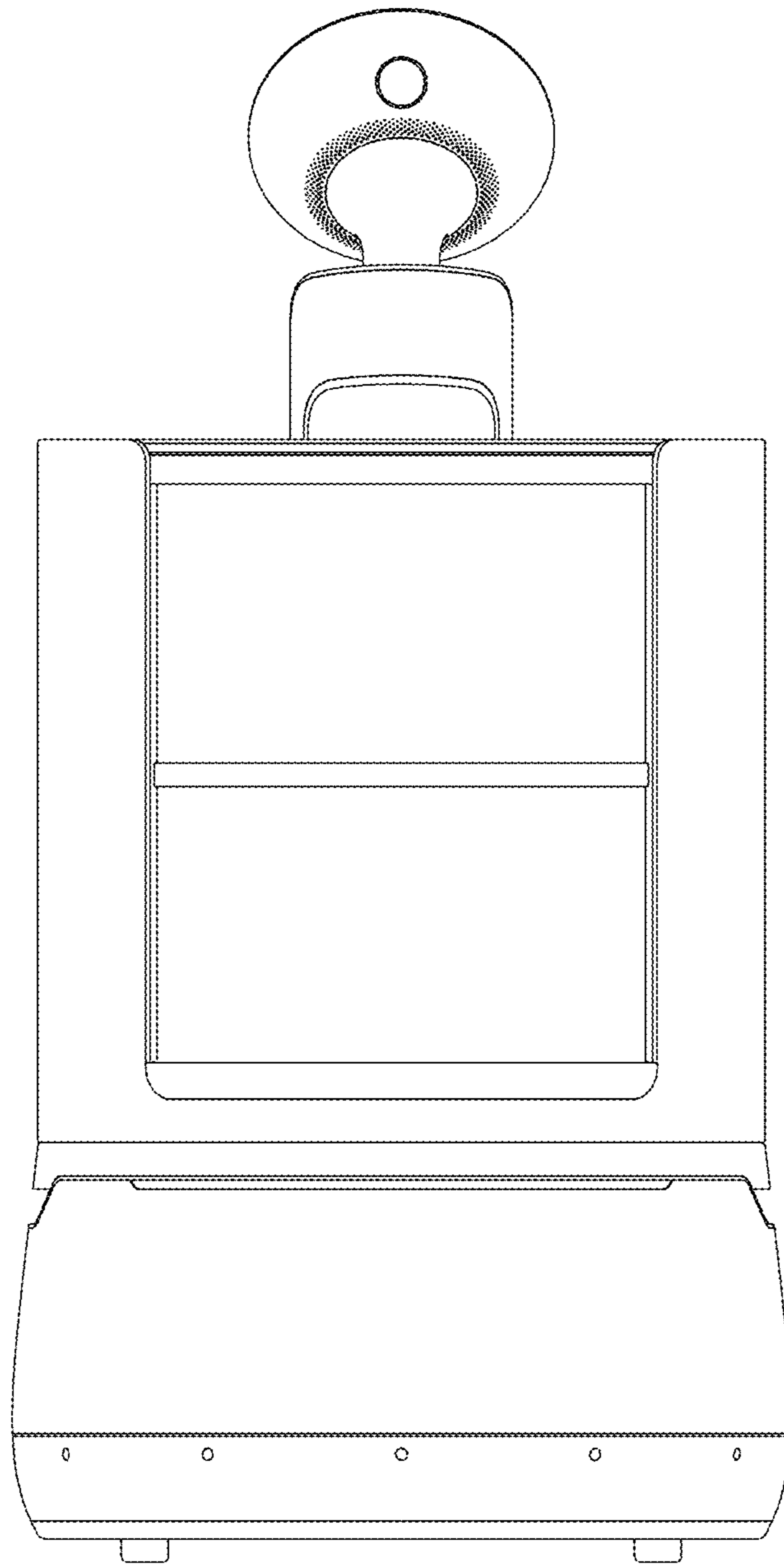
1.1



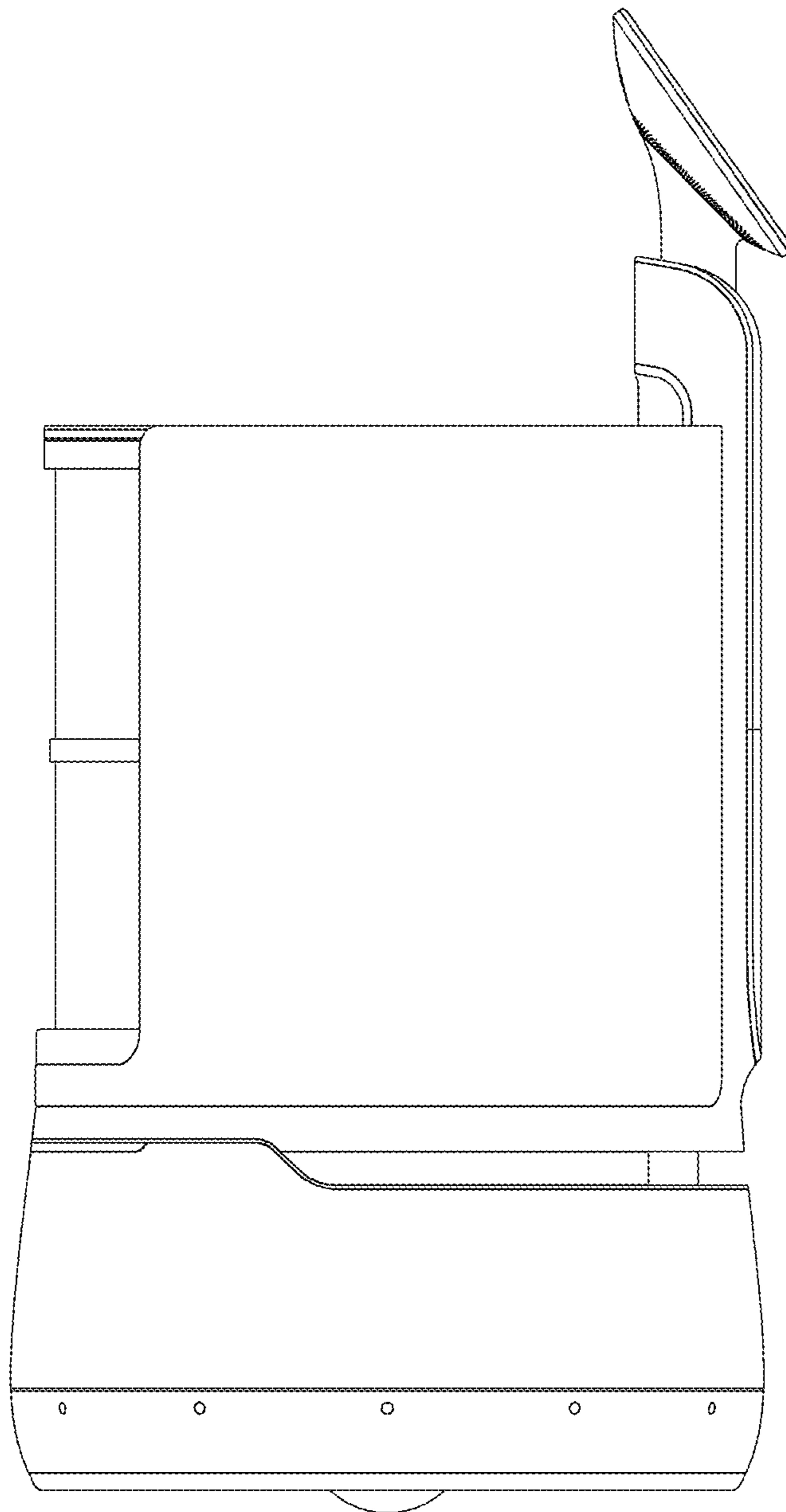
1.2



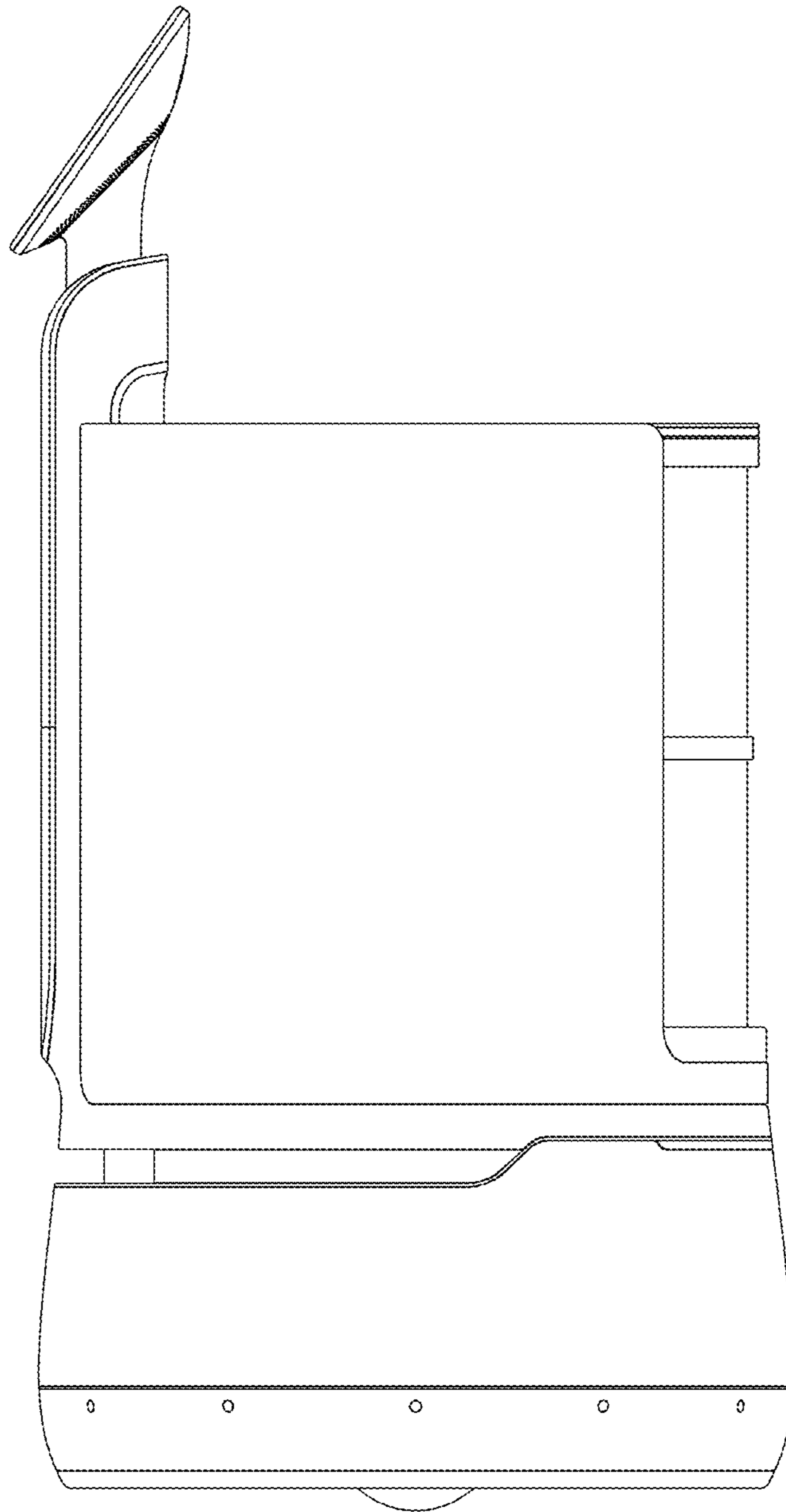
1.3



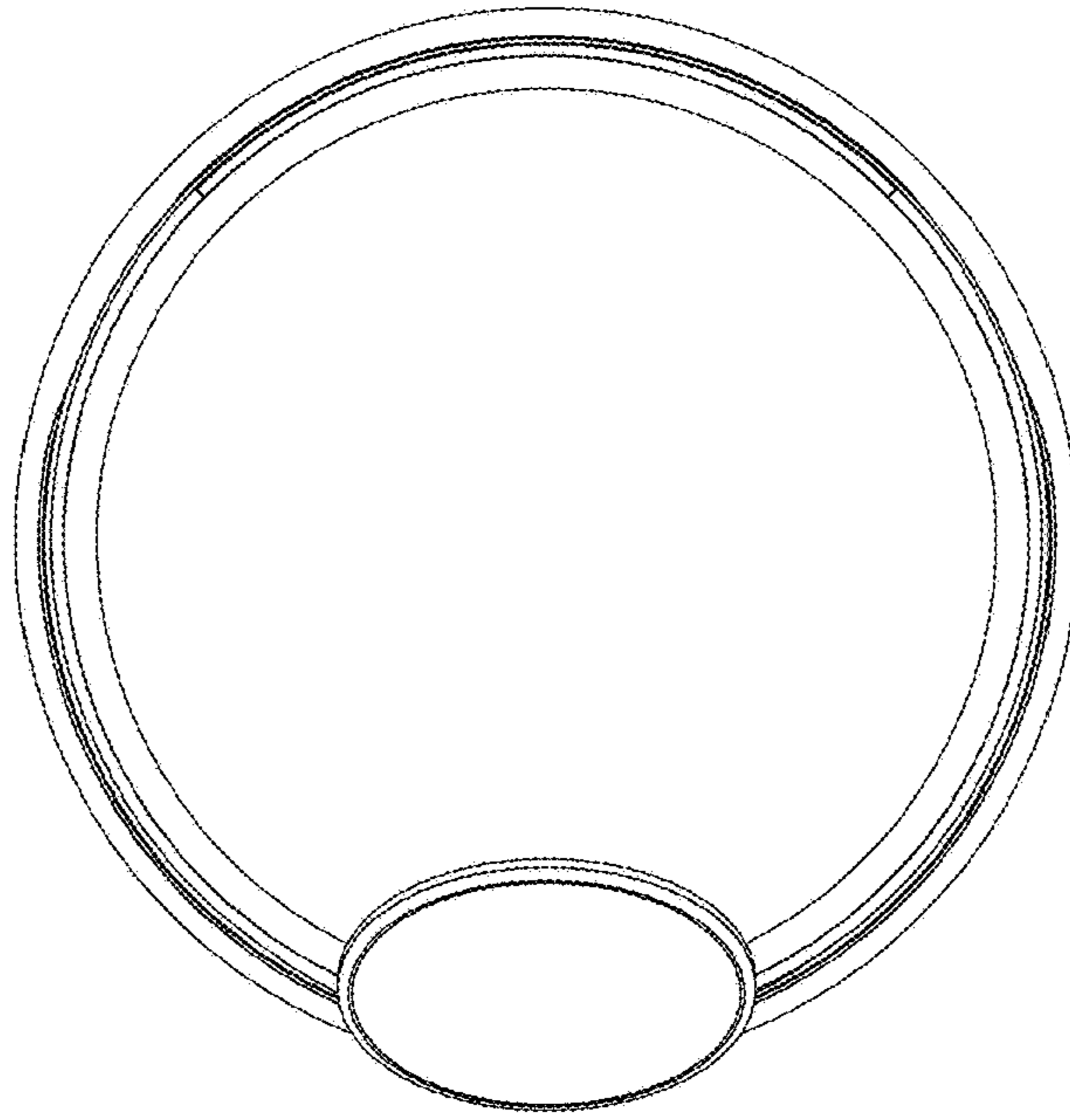
1.4



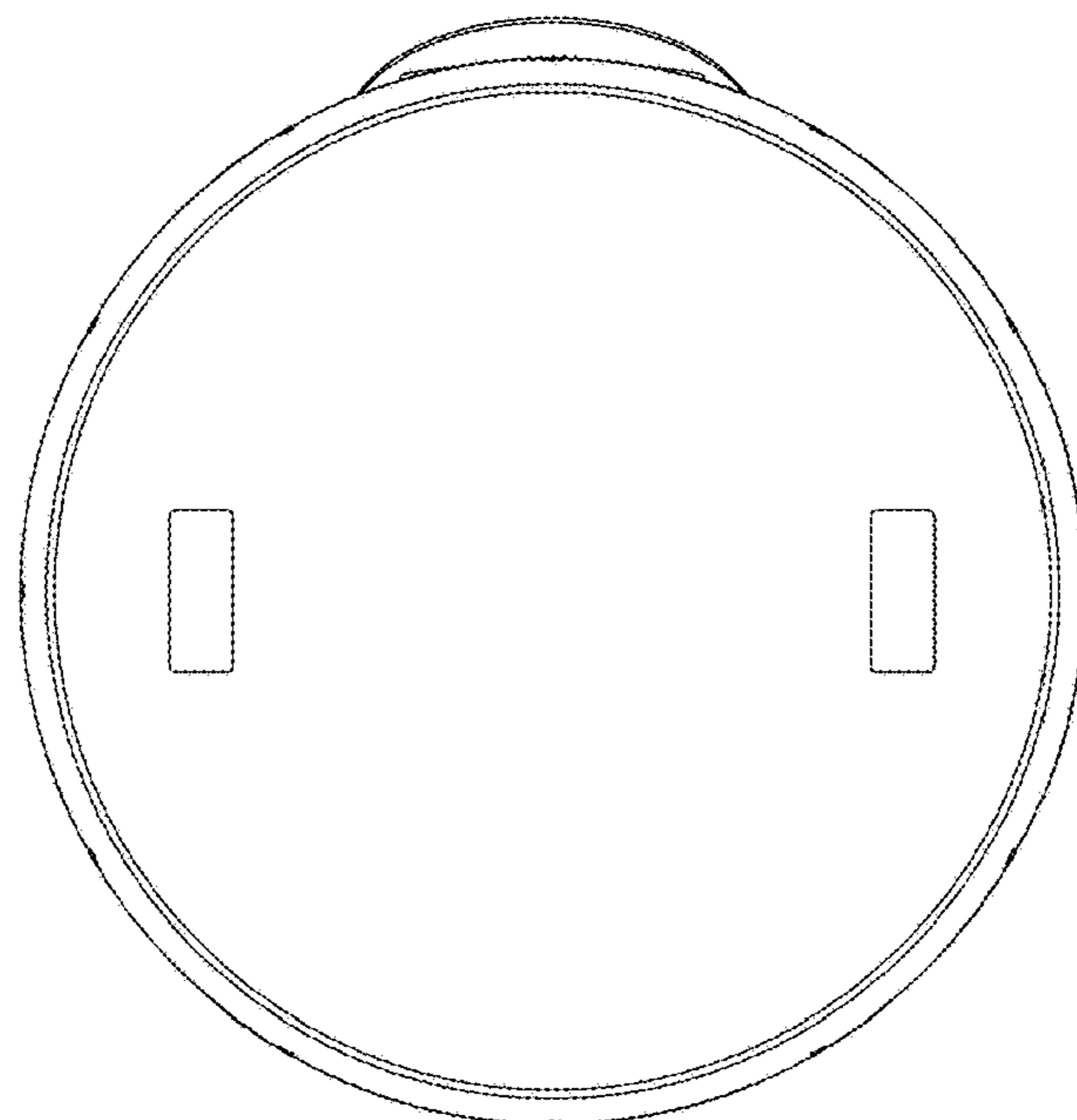
1.5



1.6



1.7



1.8

