

US00D869531S

(12) **United States Design Patent** (10) **Patent No.:** **US D869,531 S**
Ascher (45) **Date of Patent:** **** Dec. 10, 2019**

(54) **GREASE TOOL WITH RECESSED FITTING**

(71) Applicant: **Extension Depot LLC**, Waukesha, WI (US)

(72) Inventor: **Jeffery Ascher**, Waukesha, WI (US)

(73) Assignee: **Extension Depot LLC**, Waukesha, WI (US)

(**) Term: **15 Years**

(21) Appl. No.: **29/644,372**

(22) Filed: **Apr. 17, 2018**

(51) **LOC (12) Cl.** **15-09**

(52) **U.S. Cl.**
USPC **D15/150**

(58) **Field of Classification Search**
USPC D15/150, 151, 152
CPC F16C 33/6603; F16C 41/00; F16C 43/04;
F16C 2237/00

See application file for complete search history.

(56) **References Cited**

U.S. PATENT DOCUMENTS

- 1,915,269 A * 6/1933 Carver B25B 27/0085
81/3.7
- 1,937,949 A * 12/1933 Flather B23Q 11/125
82/137
- 2,160,214 A 5/1939 Jackson
(Continued)

FOREIGN PATENT DOCUMENTS

- WO 9627506 9/1996
- WO 9832618 7/1998

OTHER PUBLICATIONS

Cycle Works; Wheel Bearing Greaser; Website Screen Capture;
<https://web.archive.org/web/20111126184421/http://www.cycleworks>.

net/index.php?main_page=product_info&cPath=28_2_15&products_id=370; Accessed Mar. 20, 2018.

Primary Examiner — Patricia A Palasik

(74) *Attorney, Agent, or Firm* — Smith Keane LLP

(57) **CLAIM**

The ornamental design for a grease tool with recessed fitting, as shown and described.

DESCRIPTION

FIG. 1 is a perspective view of a first embodiment of the grease tool with recessed fitting.

FIG. 2 is a top plan view of the embodiment of FIG. 1.

FIG. 3 is a bottom plan view of the embodiment of FIG. 1.

FIG. 4 is a left elevation view of the embodiment of FIG. 1.

FIG. 5 is a right elevation view of the embodiment of FIG. 1.

FIG. 6 is a front elevation view of the embodiment of FIG. 1.

FIG. 7 is a rear elevation view of the embodiment of FIG. 1.

FIG. 8 is a cross-sectional view taken in the direction of 8-8 of FIG. 6.

FIG. 9 is a perspective view of a second embodiment of the grease tool with recessed fitting.

FIG. 10 is a top plan view of the embodiment of FIG. 9.

FIG. 11 is a bottom plan view of the embodiment of FIG. 9.

FIG. 12 is a left elevation view of the embodiment of FIG. 9.

FIG. 13 is a right elevation view of the embodiment of FIG. 9.

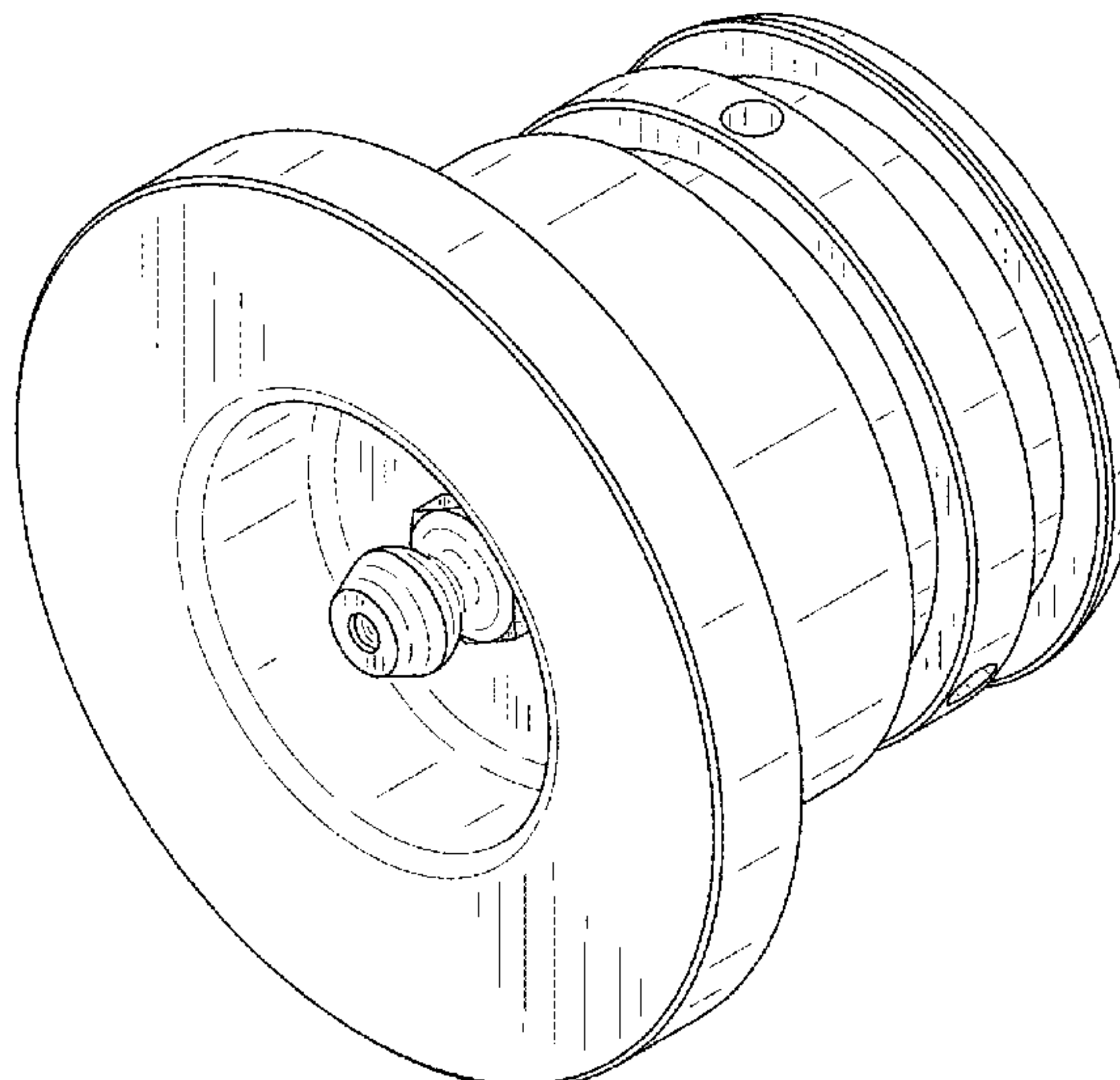
FIG. 14 is a front elevation view of the embodiment of FIG. 9.

FIG. 15 is a rear elevation view of the embodiment of FIG. 9; and,

FIG. 16 is a cross-sectional view taken in the direction of 16-16 of FIG. 14.

Elements shown in broken lines are for illustrative purposes only and form no part of the claimed design.

1 Claim, 16 Drawing Sheets



(56)

References Cited

U.S. PATENT DOCUMENTS

2,911,068 A 11/1959 Wright
3,061,043 A * 10/1962 Malloy G01P 1/00
184/105.1
3,098,541 A * 7/1963 Kadas F16N 37/003
184/5.1
3,283,854 A * 11/1966 Self D07B 7/12
184/105.1
3,424,273 A 1/1969 Carlson et al.
3,949,837 A * 4/1976 Tremblay B60B 27/00
184/105.1
4,069,894 A * 1/1978 Black F16N 7/12
15/256.6
4,293,056 A 10/1981 Setree, II
4,941,757 A 7/1990 Hall
5,104,202 A 4/1992 Branch
9,052,061 B2 6/2015 He et al.
2014/0124298 A1 * 5/2014 He E21B 34/00
184/38.2
2017/0370412 A1 12/2017 Petit

* cited by examiner

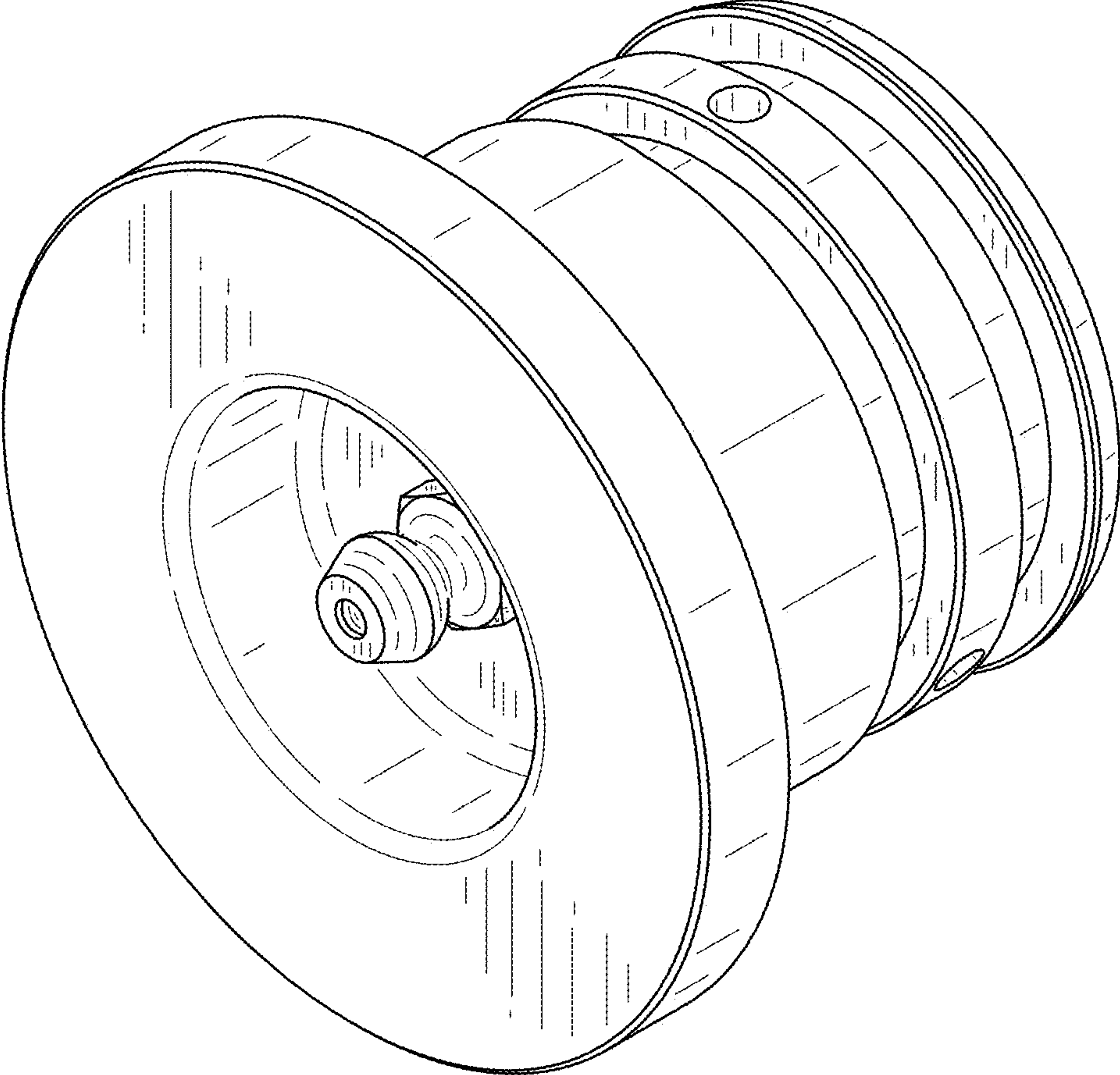


FIG.1

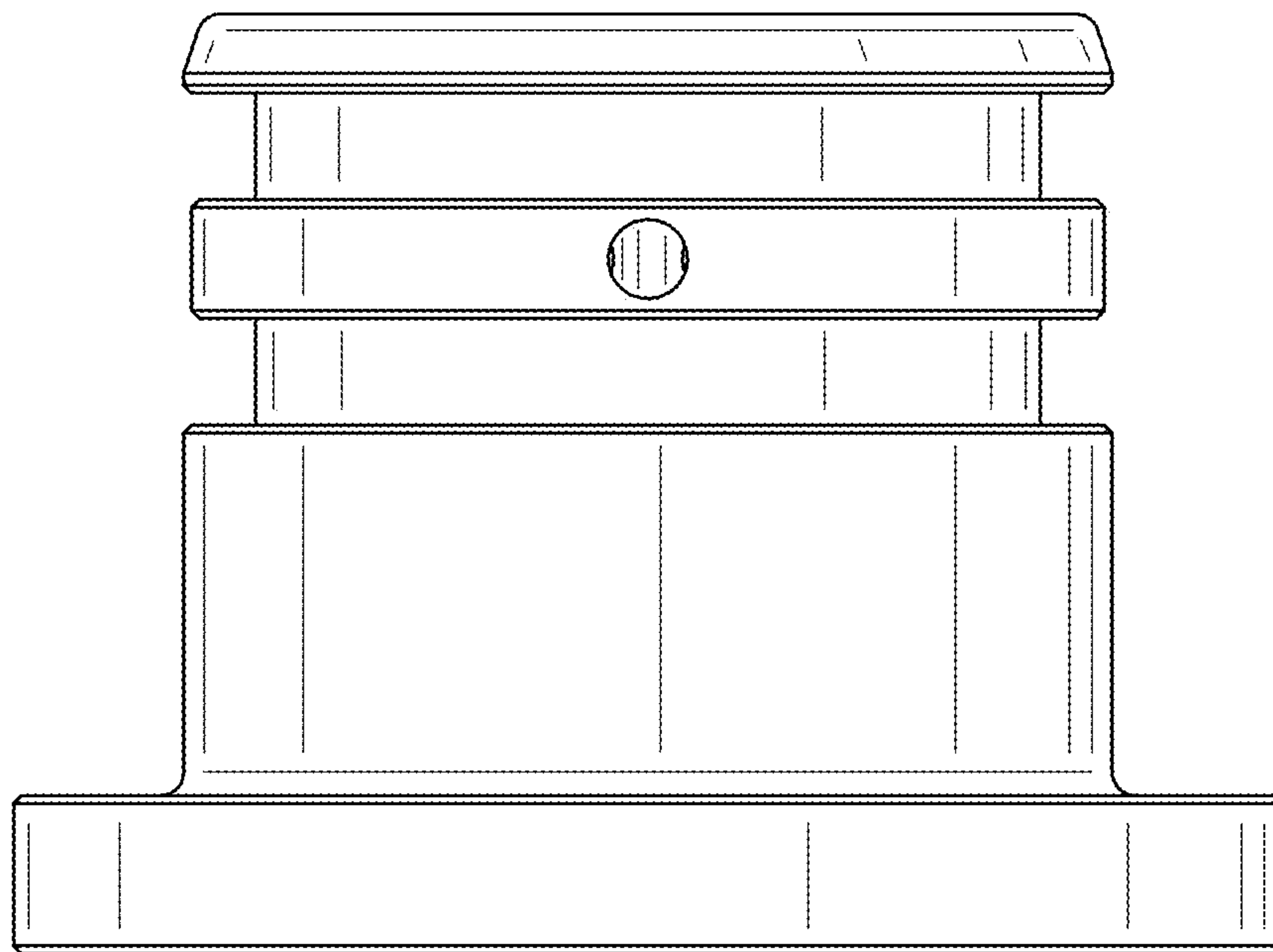


FIG.2

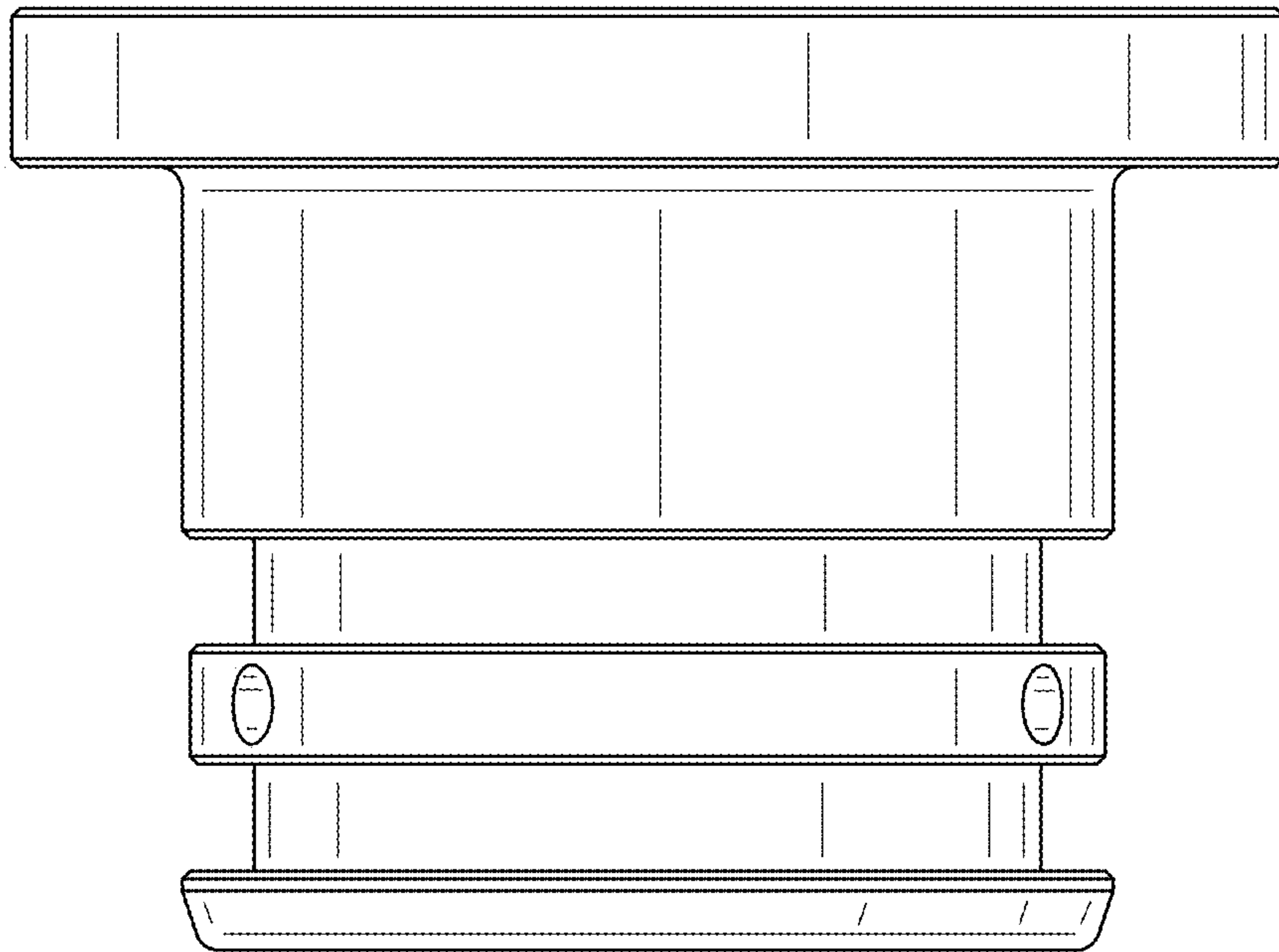


FIG.3

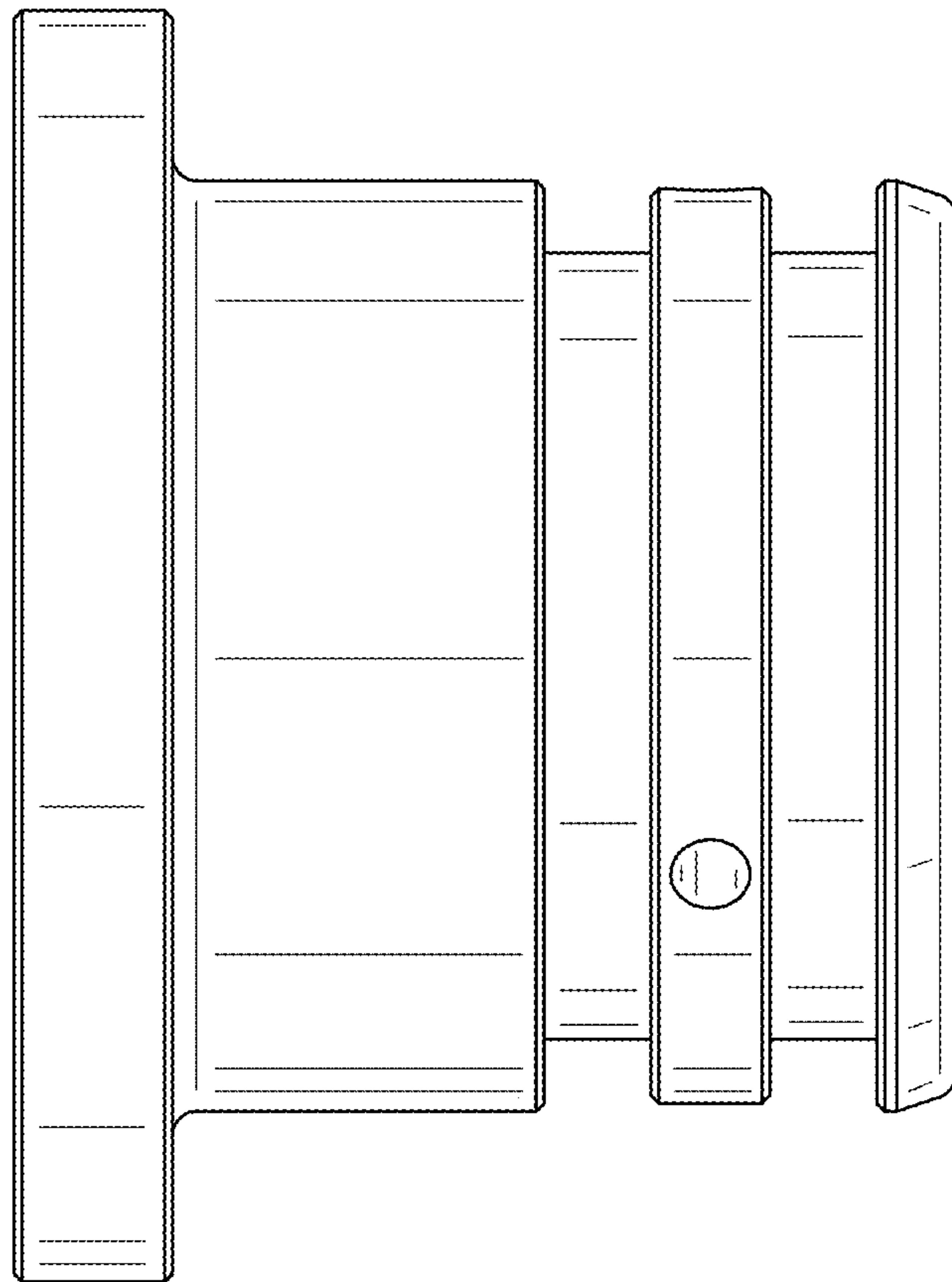


FIG.4

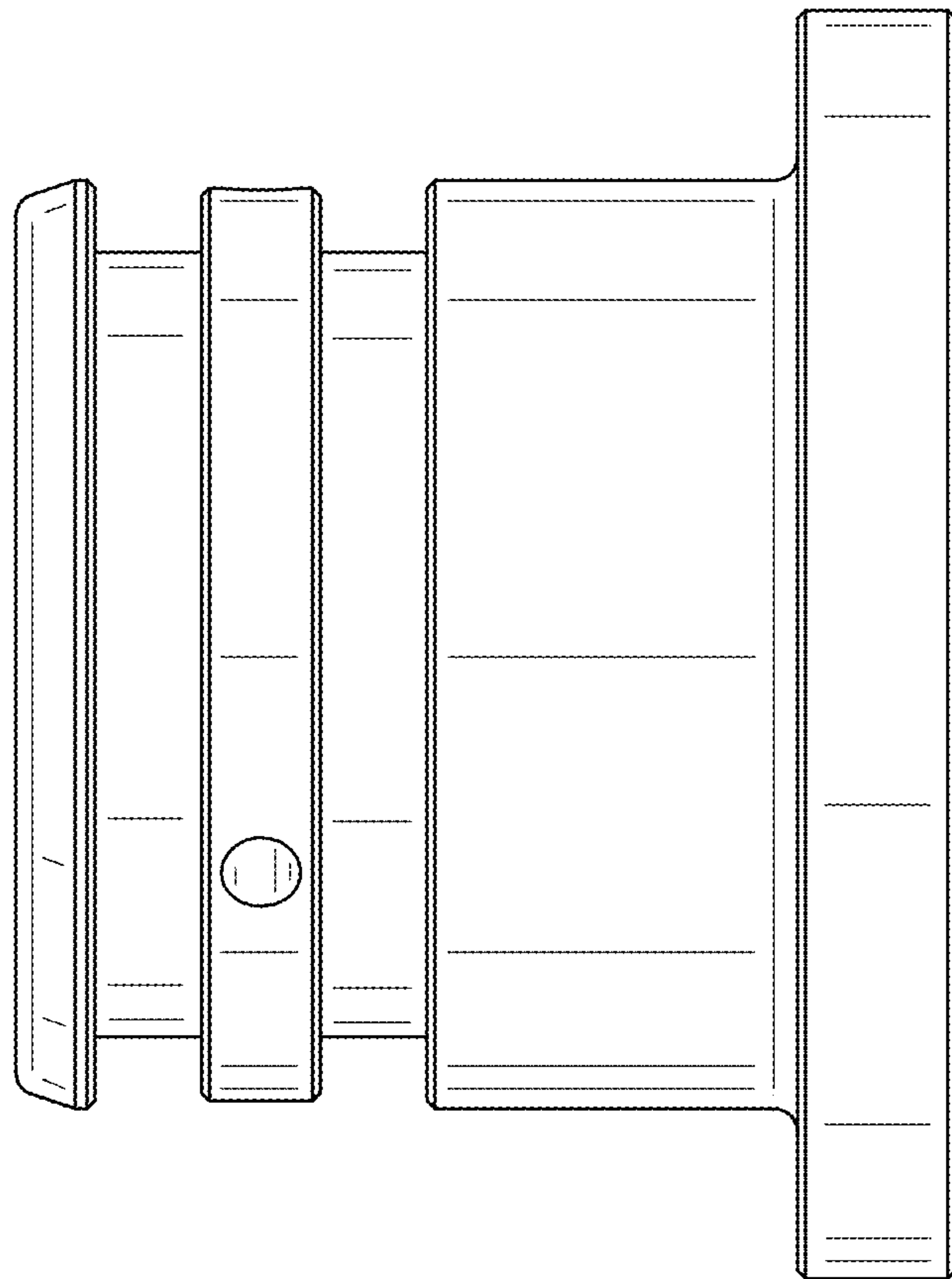


FIG.5

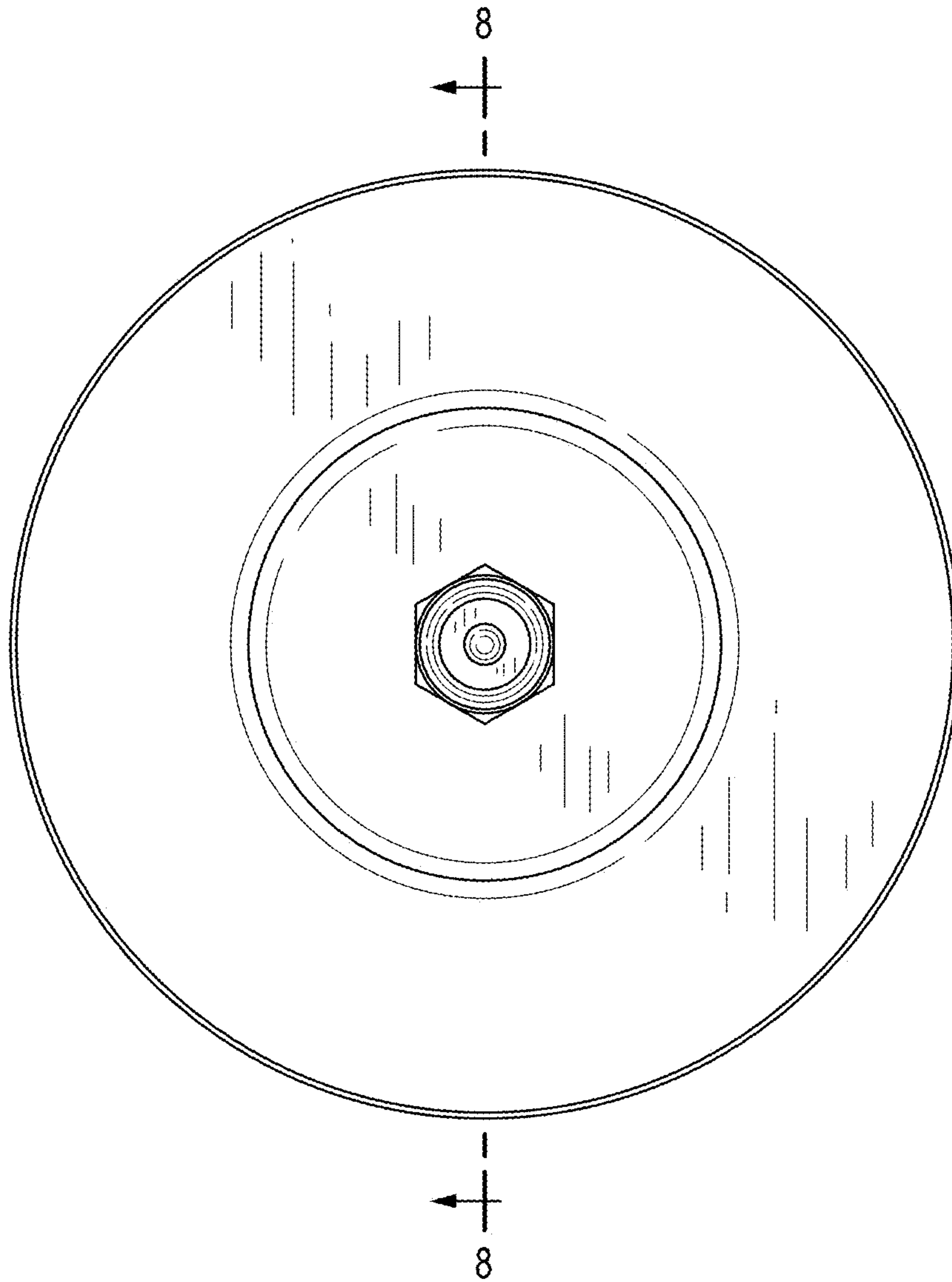


FIG.6

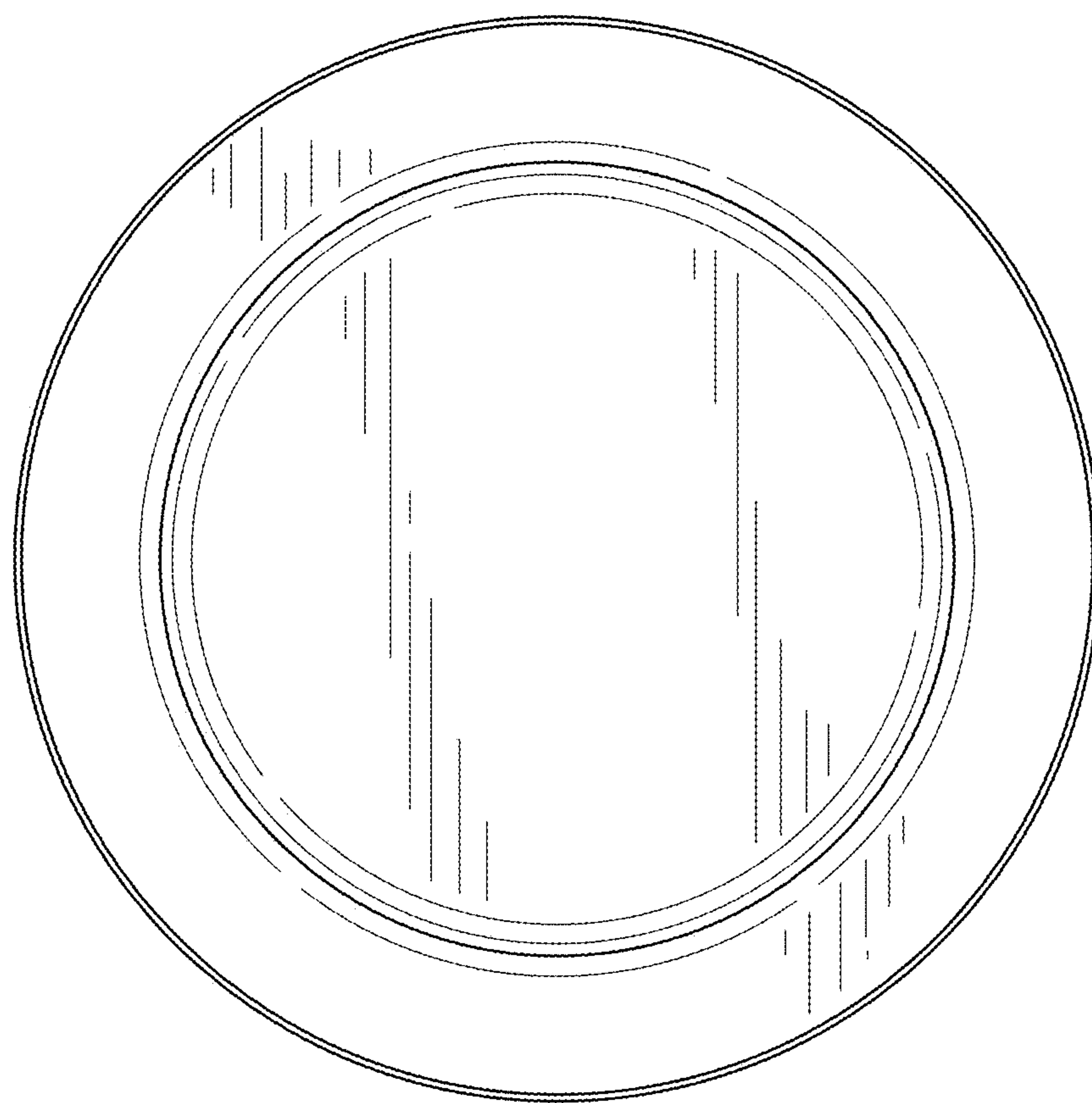


FIG.7

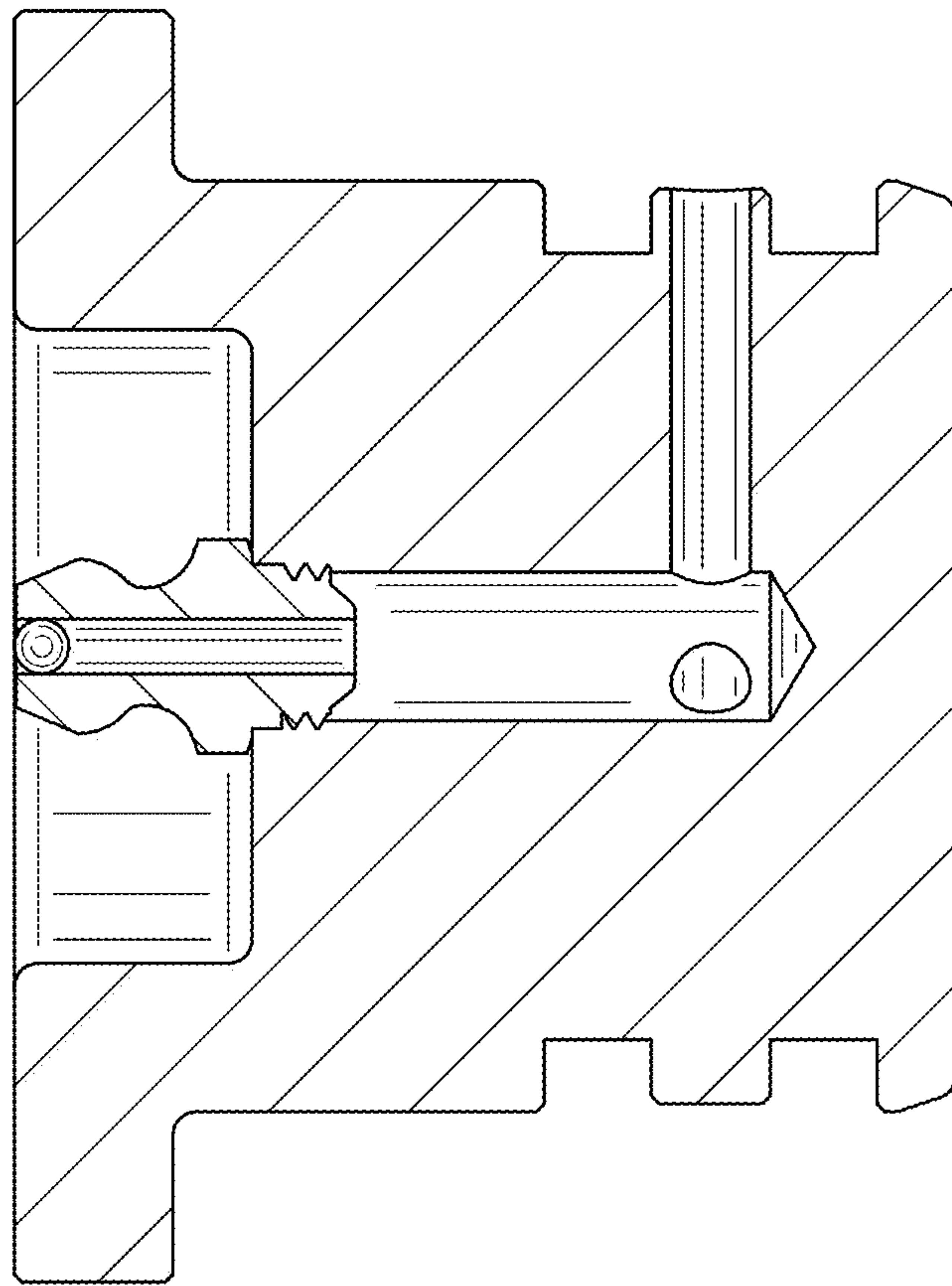


FIG.8

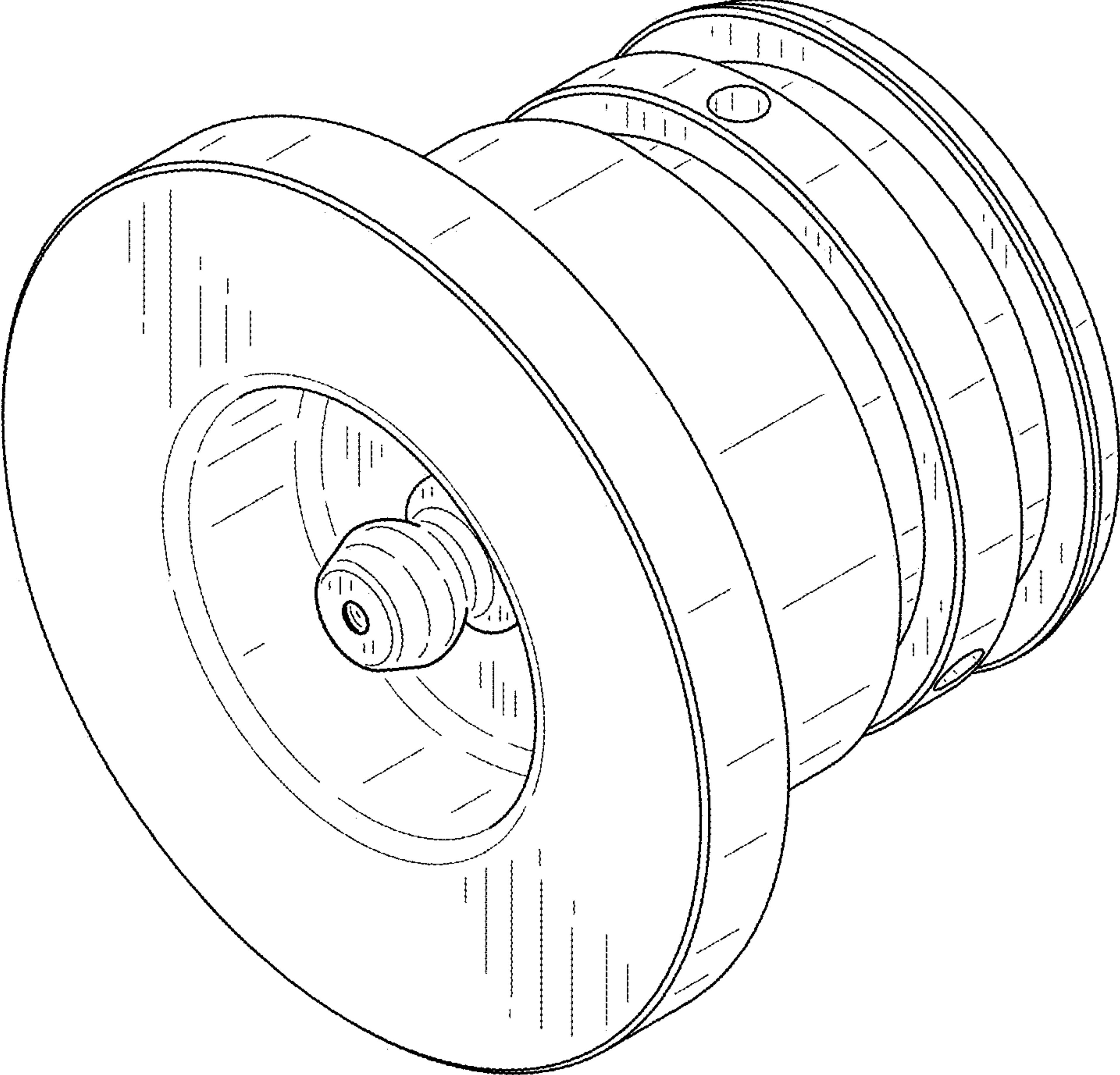


FIG.9

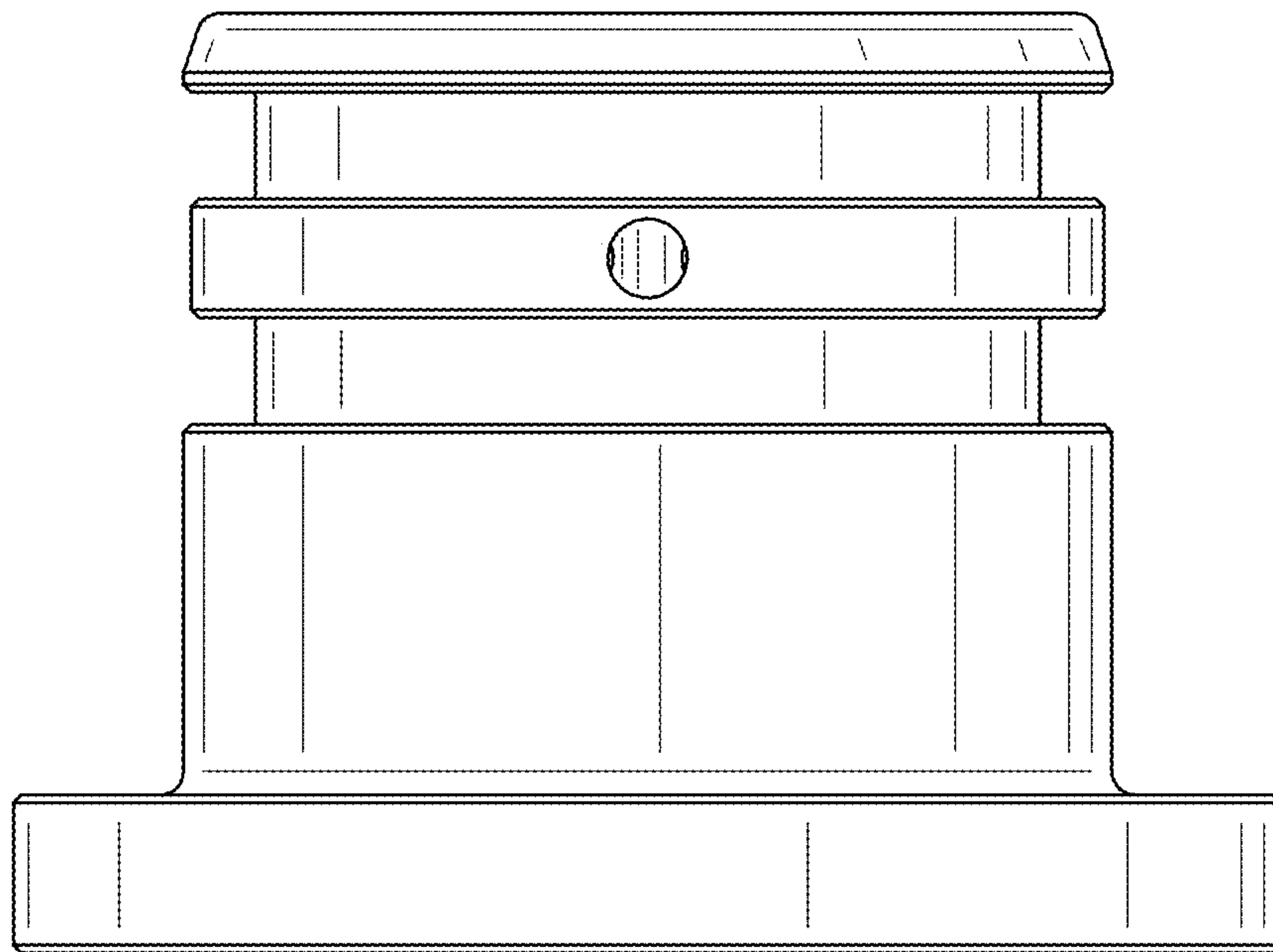


FIG.10

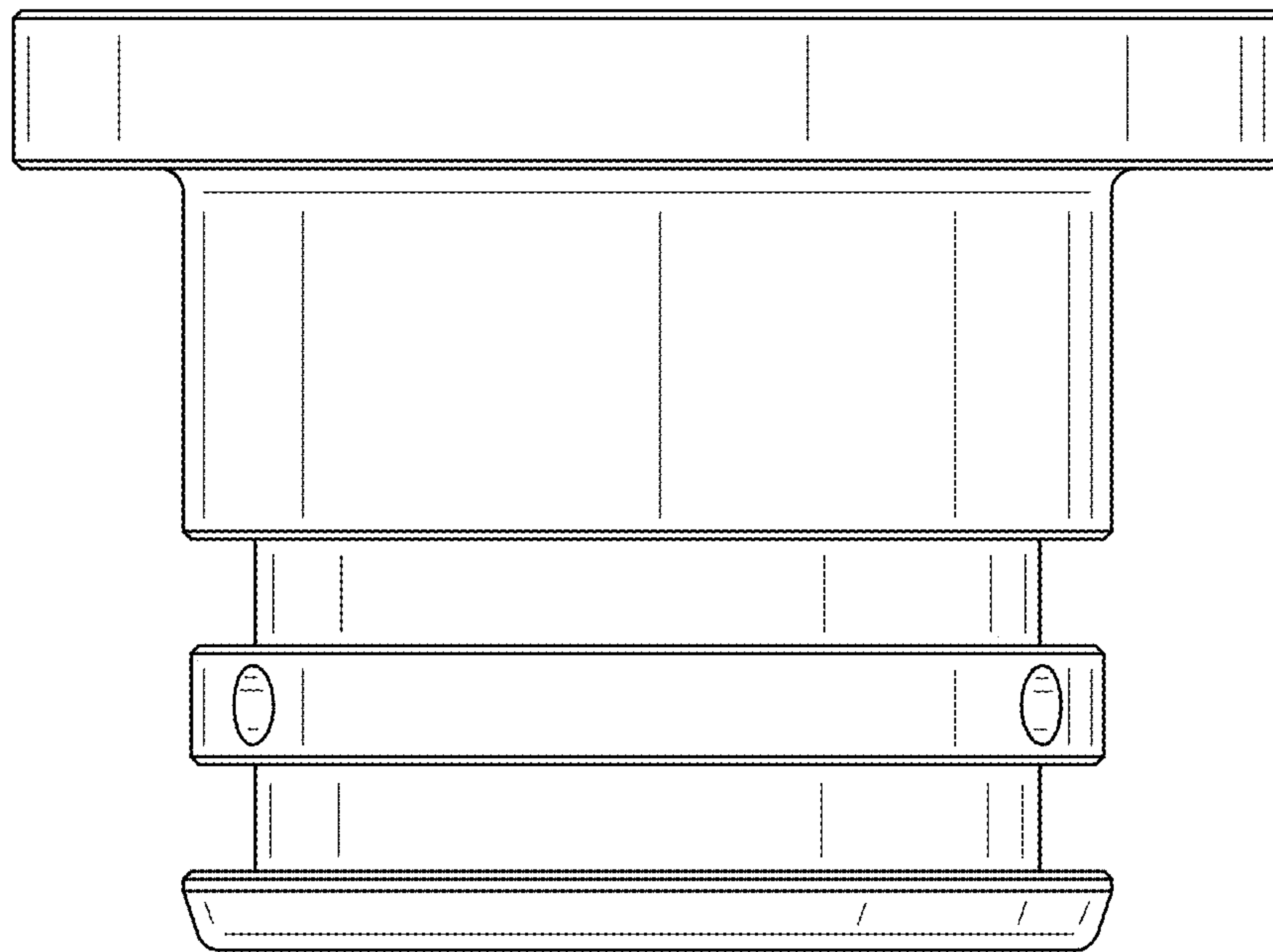


FIG.11

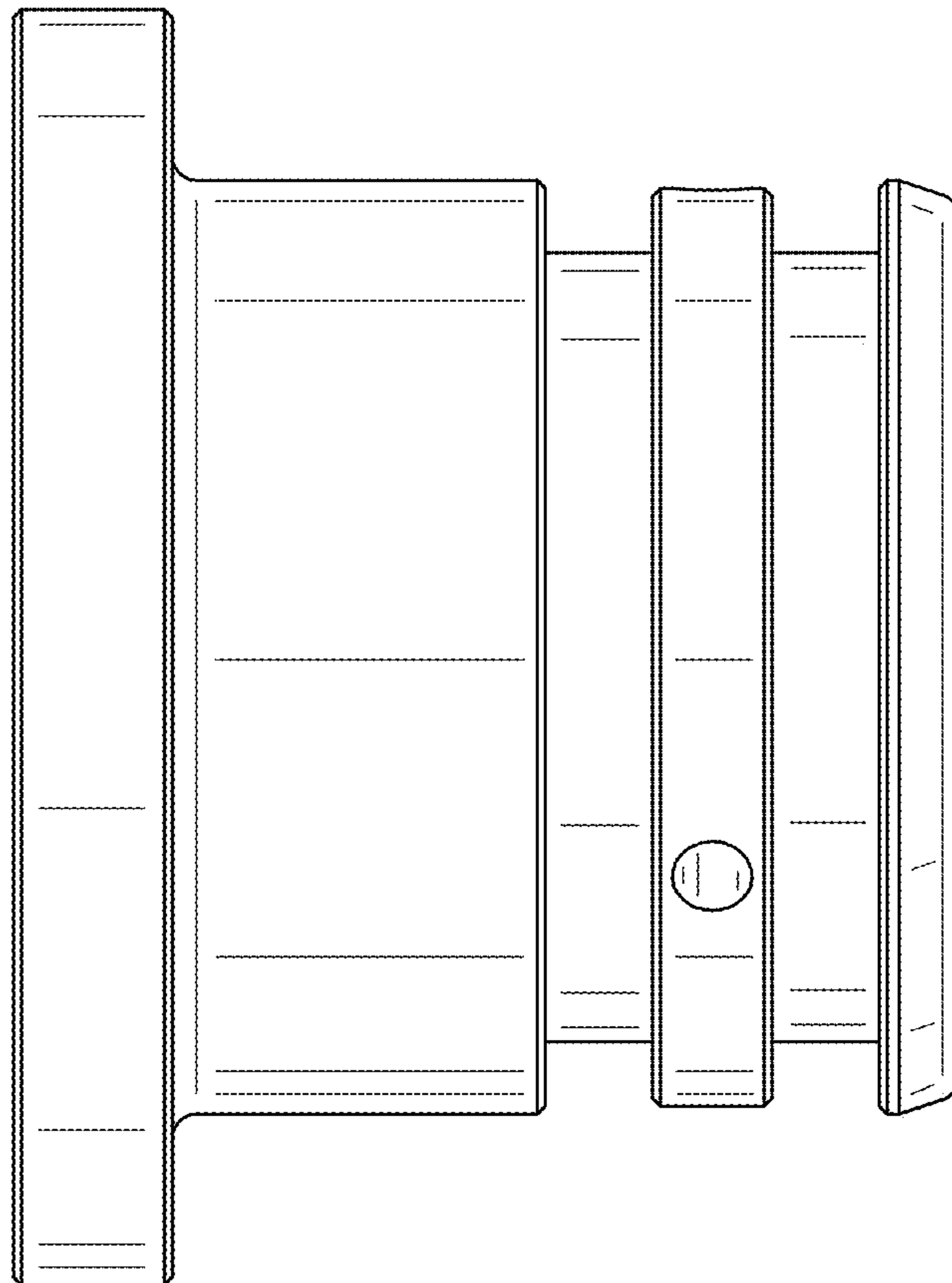


FIG.12

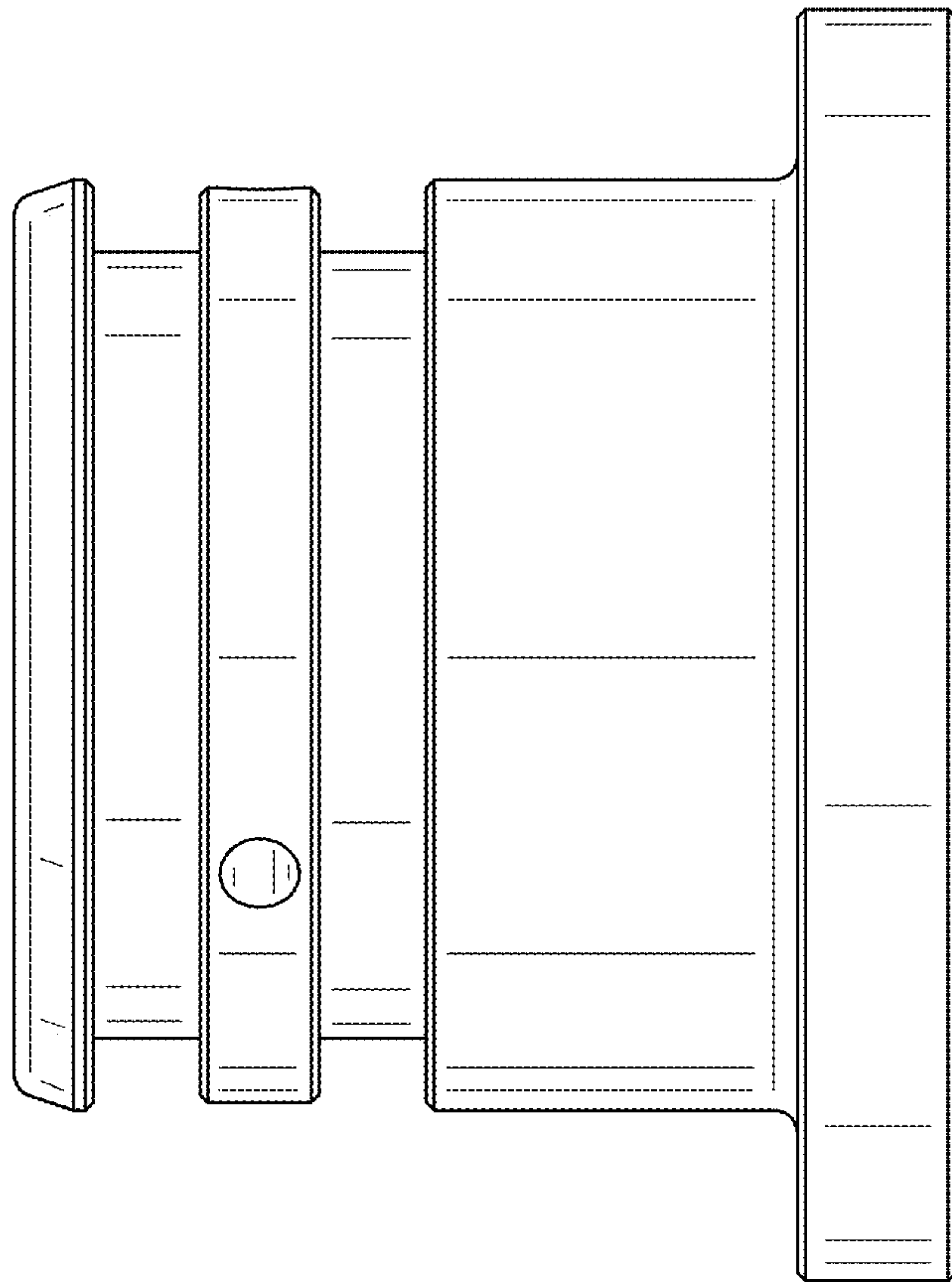


FIG.13

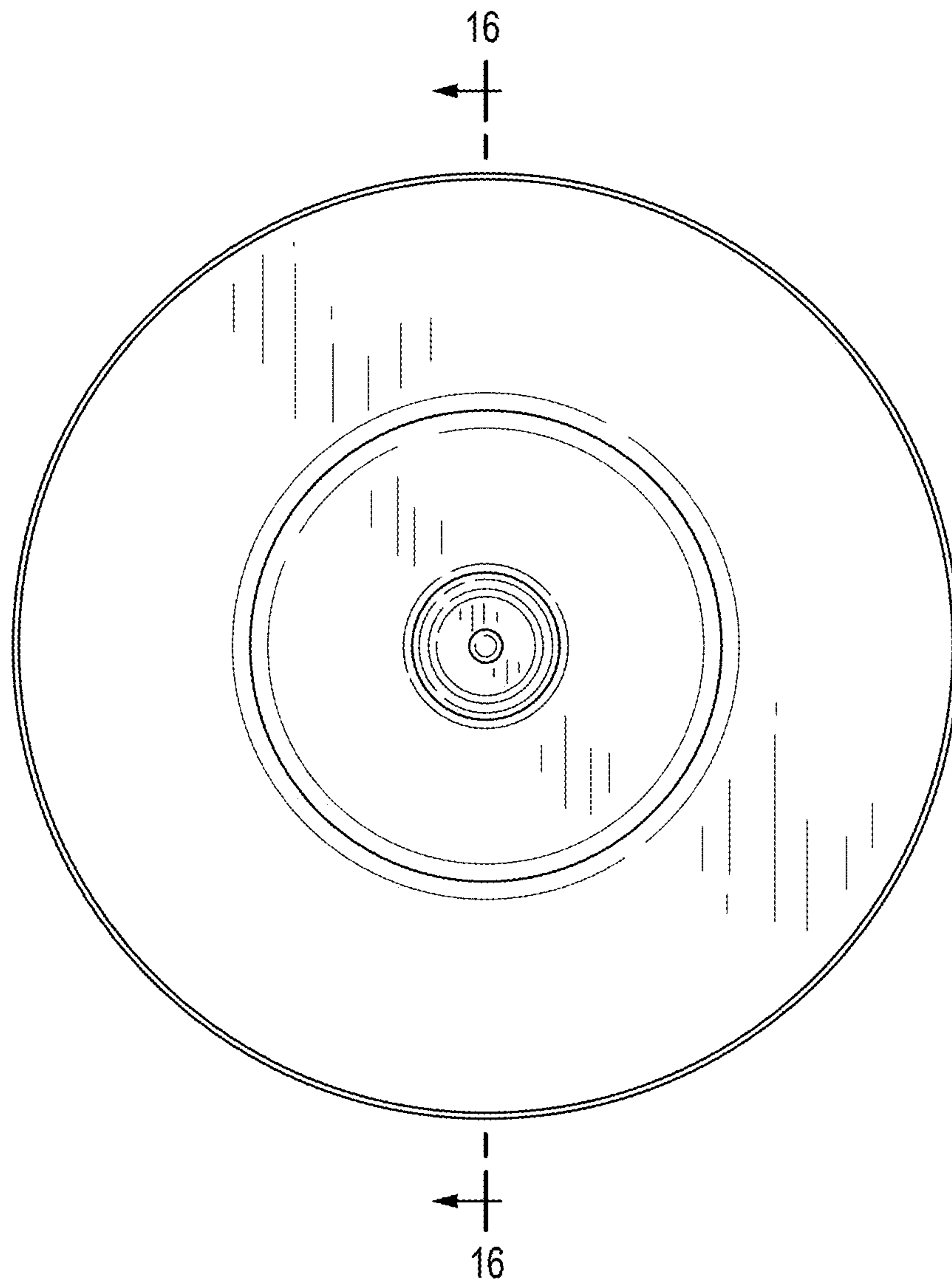


FIG.14

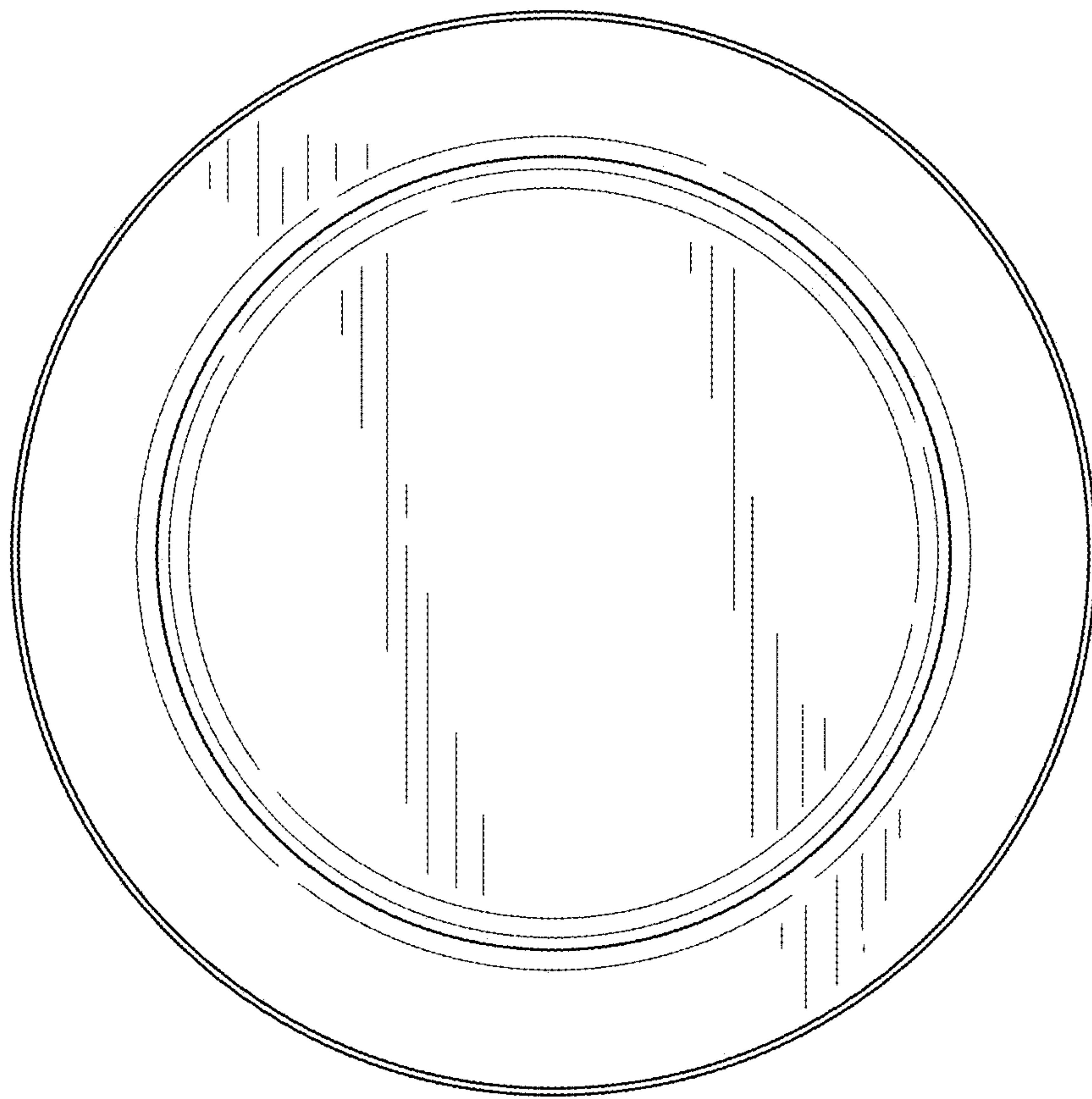


FIG.15

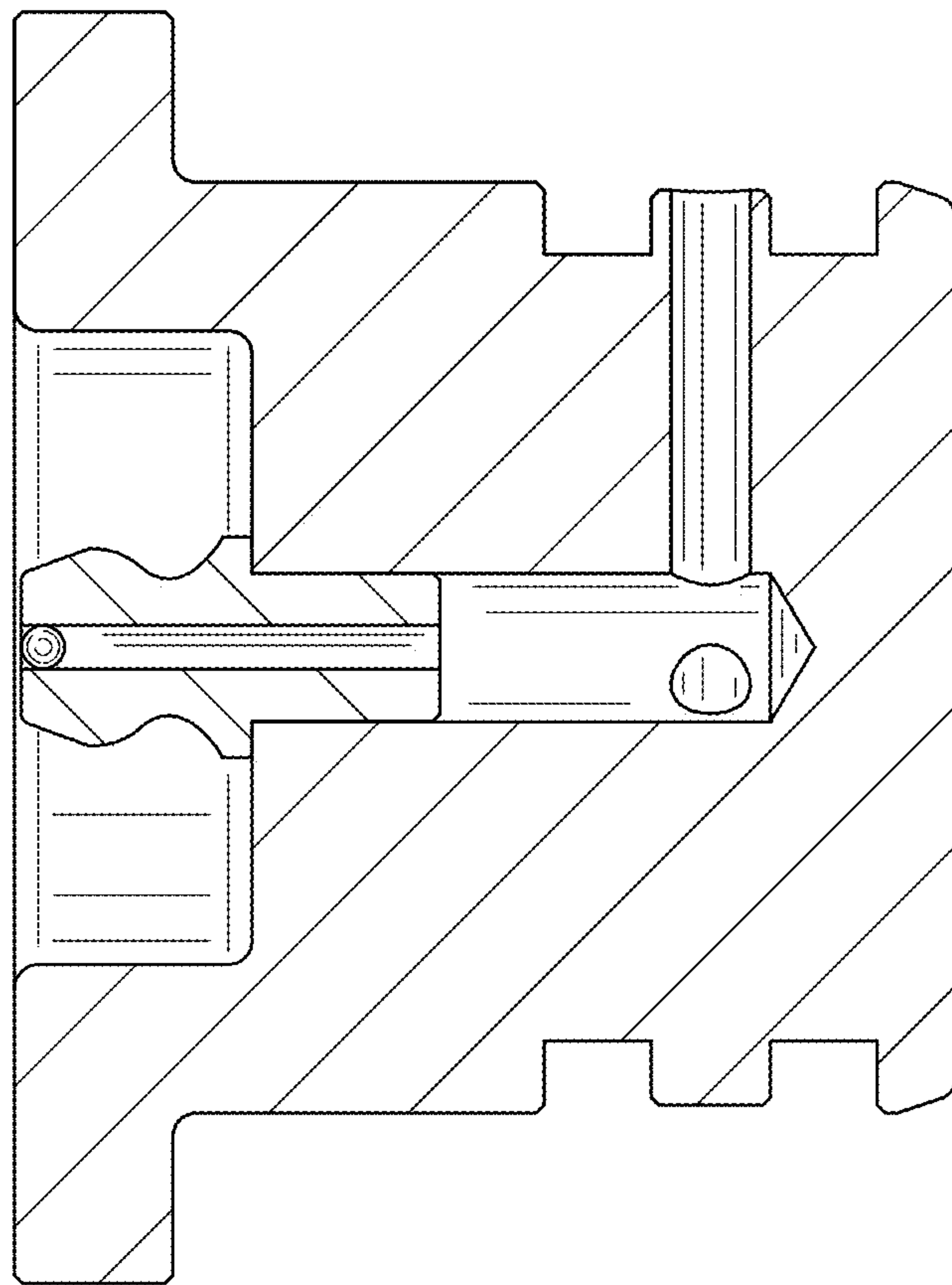


FIG.16