



US00D869526S

(12) **United States Design Patent**  
**Waldron**

(10) **Patent No.:** **US D869,526 S**

(45) **Date of Patent:** **\*\* Dec. 10, 2019**

- (54) **TORCH**
- (71) Applicant: **NINE HKG Limited**, Wachai (HK)
- (72) Inventor: **Michael Waldron**, Dunnington (GB)
- (73) Assignee: **NINE HKG Limited**, Wachai (HK)
- (\*\*) Term: **15 Years**
- (21) Appl. No.: **29/621,869**
- (22) Filed: **Oct. 12, 2017**
- (51) **LOC (12) Cl.** ..... **15-09**
- (52) **U.S. Cl.**  
USPC ..... **D15/144; D8/30**
- (58) **Field of Classification Search**  
USPC ..... D8/29.1, 29.2, 30, 61; D15/144, 144.1,  
D15/144.2  
CPC ..... B23K 3/021; B23K 3/022; B23K 3/023;  
B23K 3/033; B23K 3/3023; B23K 3/0346  
See application file for complete search history.

- 6,225,599 B1 \* 5/2001 Altekruze ..... B23K 9/124  
219/137.31
- D594,300 S \* 6/2009 Picaza Ibarrondo ..... D8/29.1
- D703,250 S \* 4/2014 McKinley ..... D15/144.2
- 2007/0077529 A1 \* 4/2007 Lin ..... F23D 14/28  
431/241
- 2010/0261129 A1 \* 10/2010 Lin ..... F23D 14/28  
431/344
- 2011/0062131 A1 \* 3/2011 Binzel ..... B23K 9/1087  
219/136

\* cited by examiner

*Primary Examiner* — Patricia A Palasik  
(74) *Attorney, Agent, or Firm* — Woodard, Emhardt,  
Henry, Reeves & Wagner, LLP

(57) **CLAIM**

The ornamental design for a torch, as shown and described.

**DESCRIPTION**

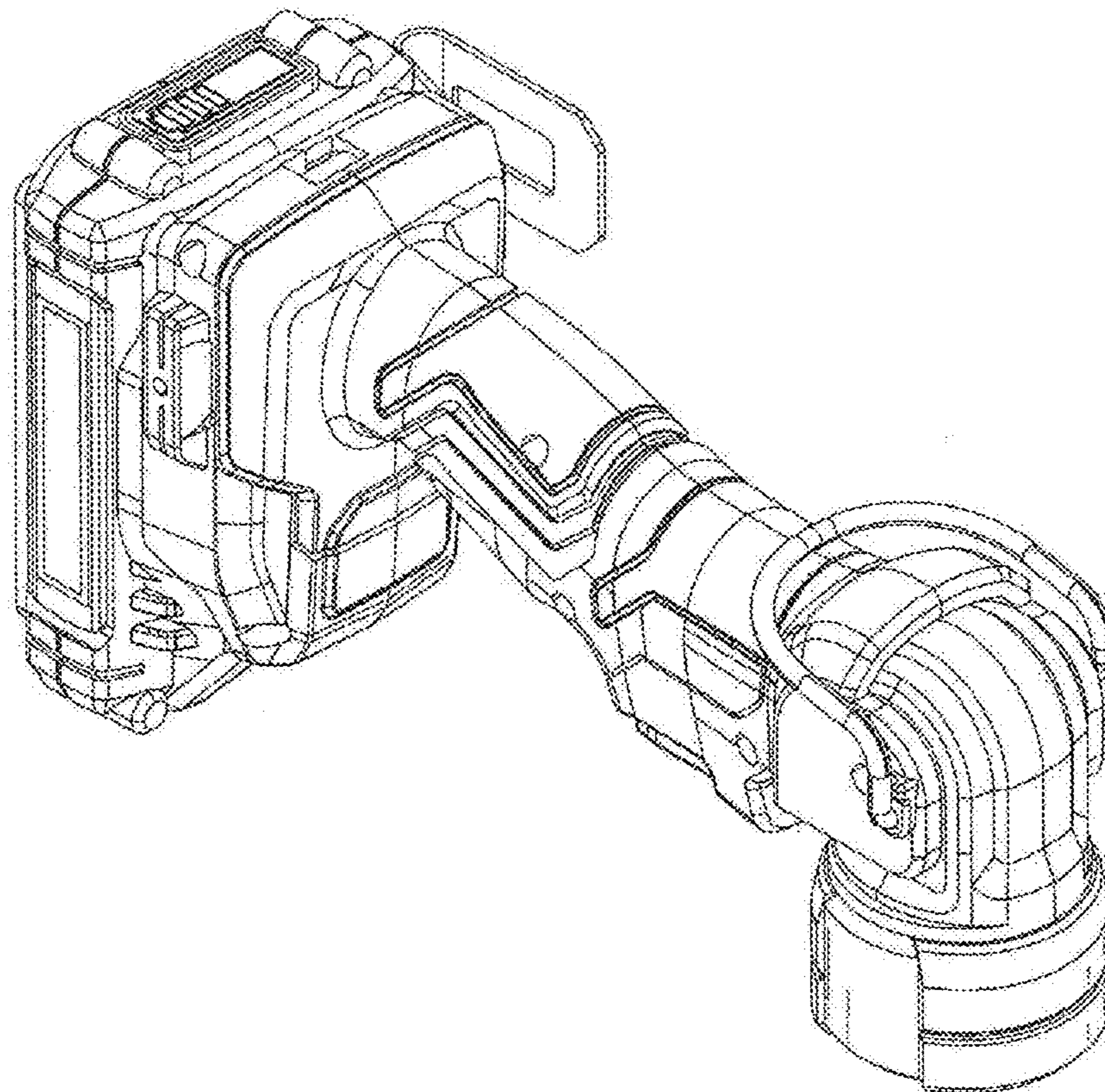
FIG. 1. is a perspective view of the torch showing my new design;  
FIG. 2 is a left view thereof;  
FIG. 3 is a right view thereof;  
FIG. 4 is a front view thereof;  
FIG. 5 is a rear view thereof; and,  
FIG. 6 is a top view thereof.

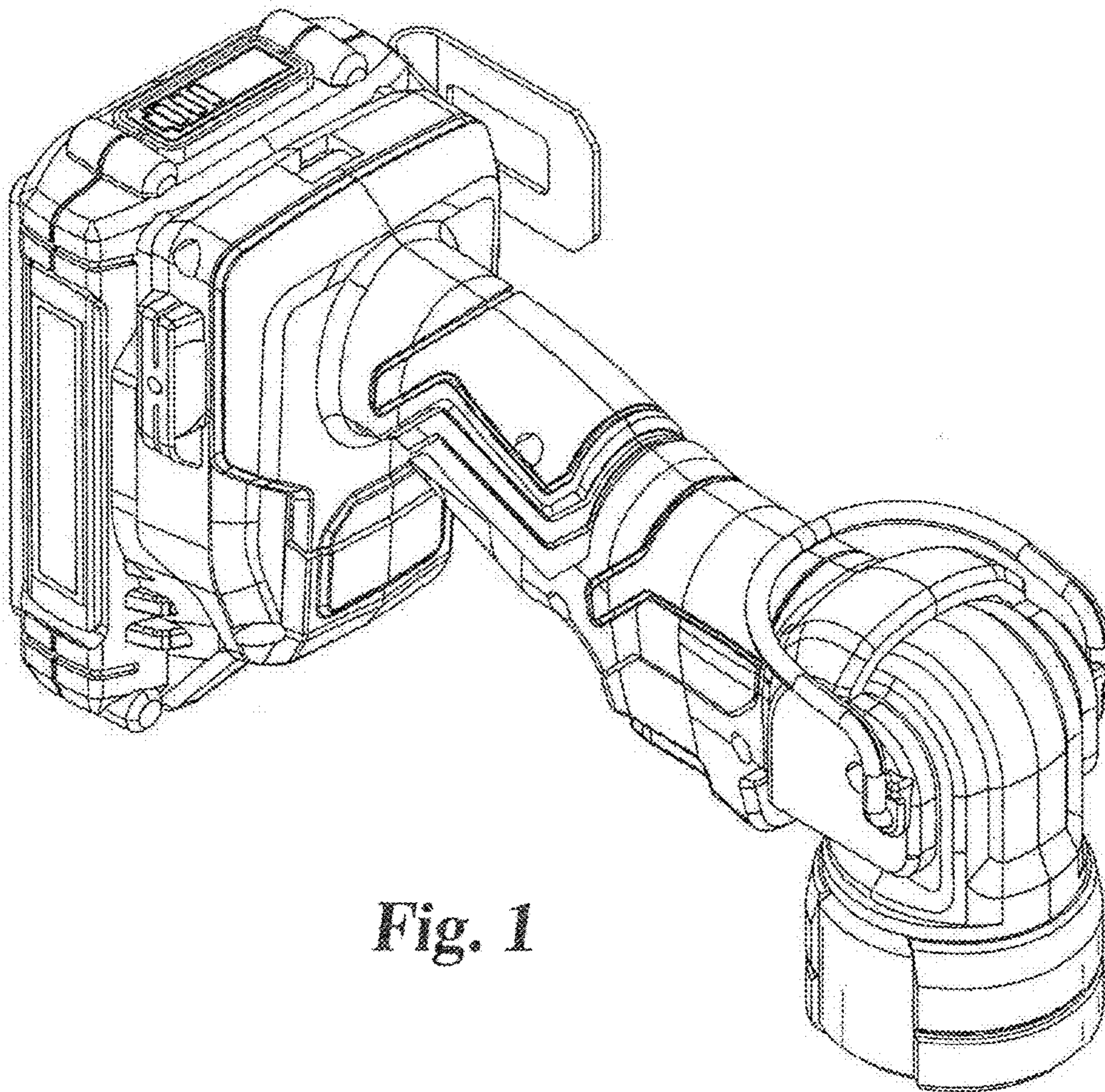
**1 Claim, 4 Drawing Sheets**

(56) **References Cited**

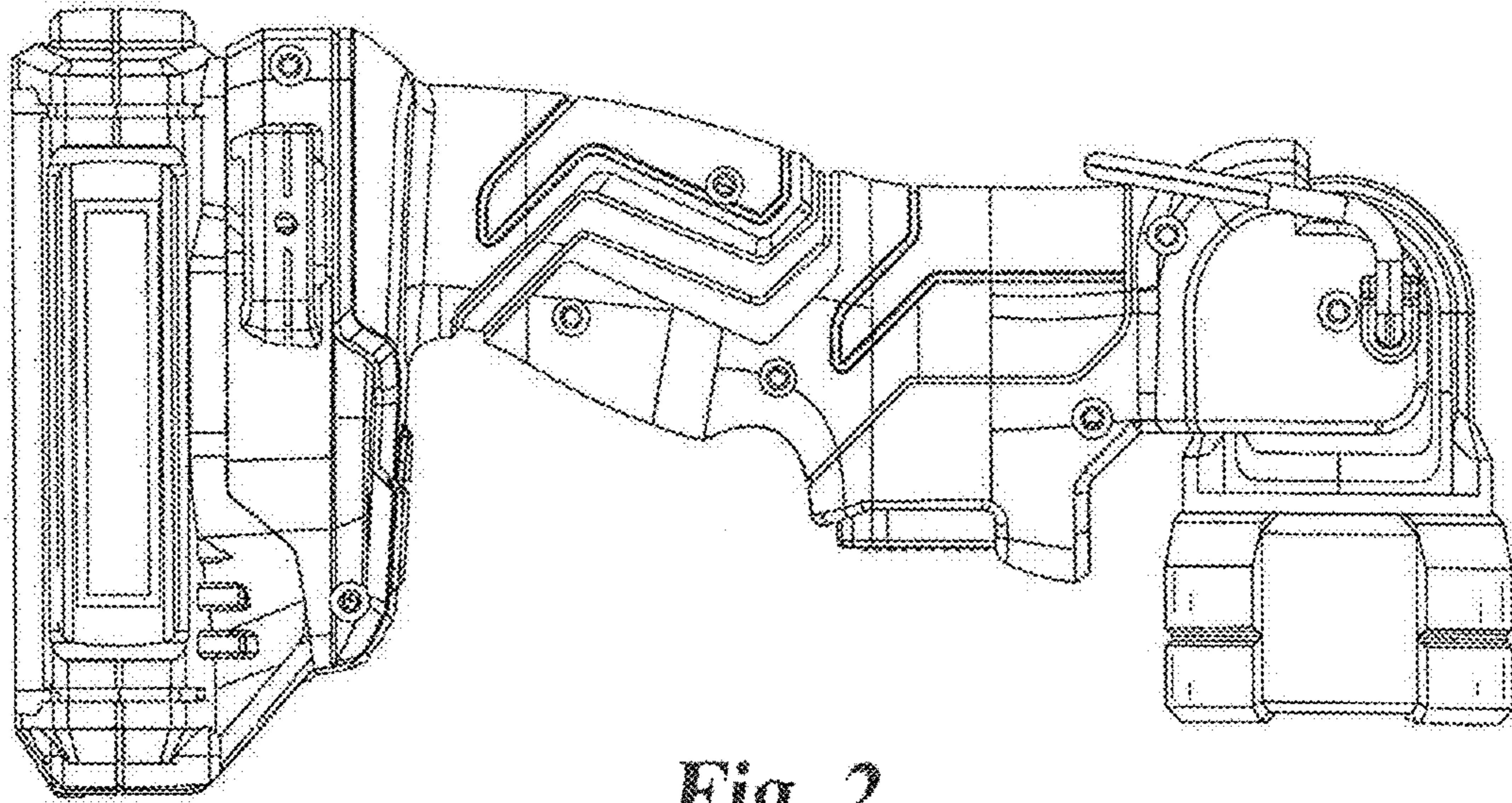
U.S. PATENT DOCUMENTS

- D335,804 S \* 5/1993 Burgin ..... D8/30
- D343,629 S \* 1/1994 Bode ..... D15/144
- D346,390 S \* 4/1994 Sperling ..... D15/144

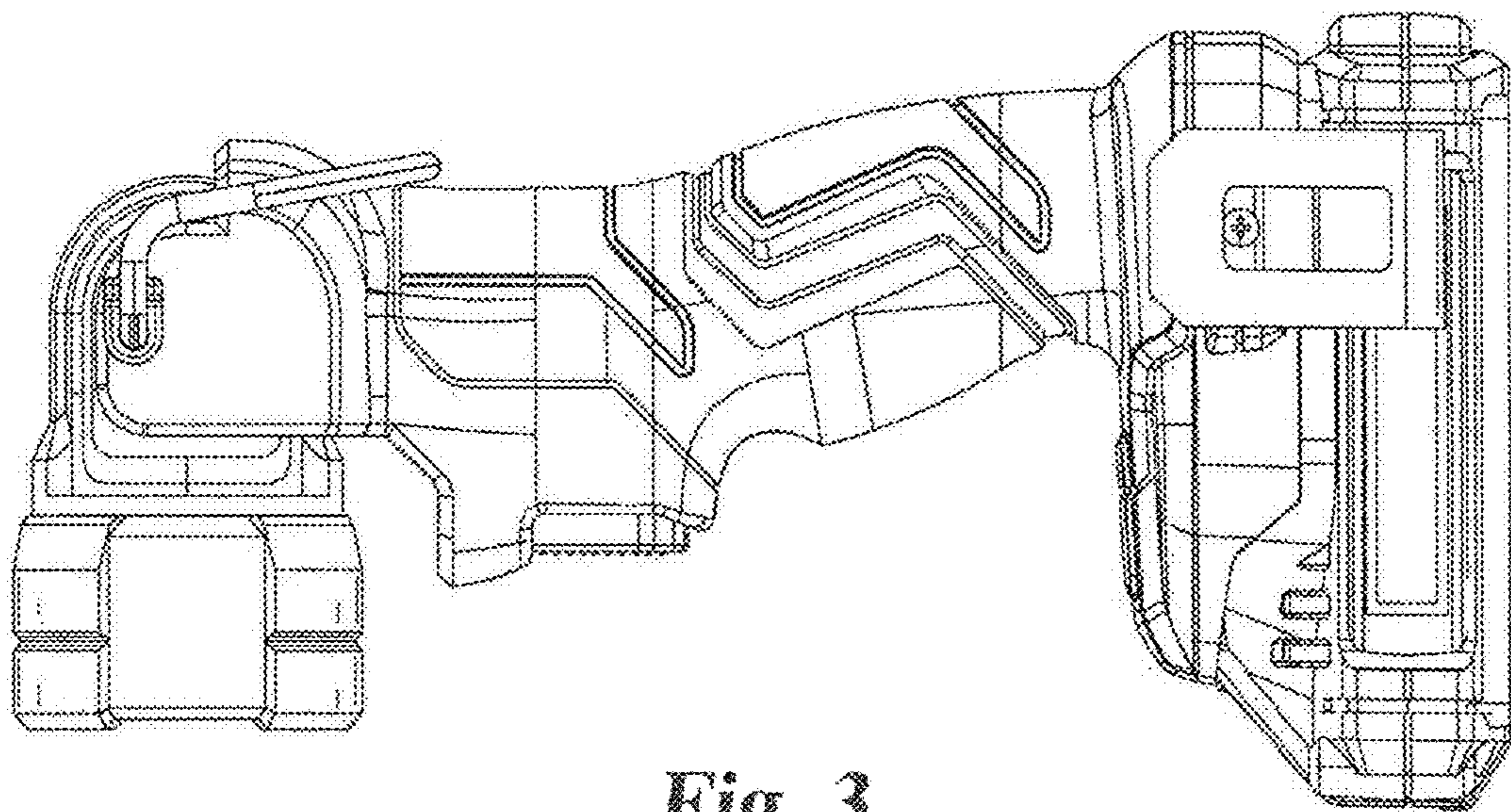




*Fig. 1*

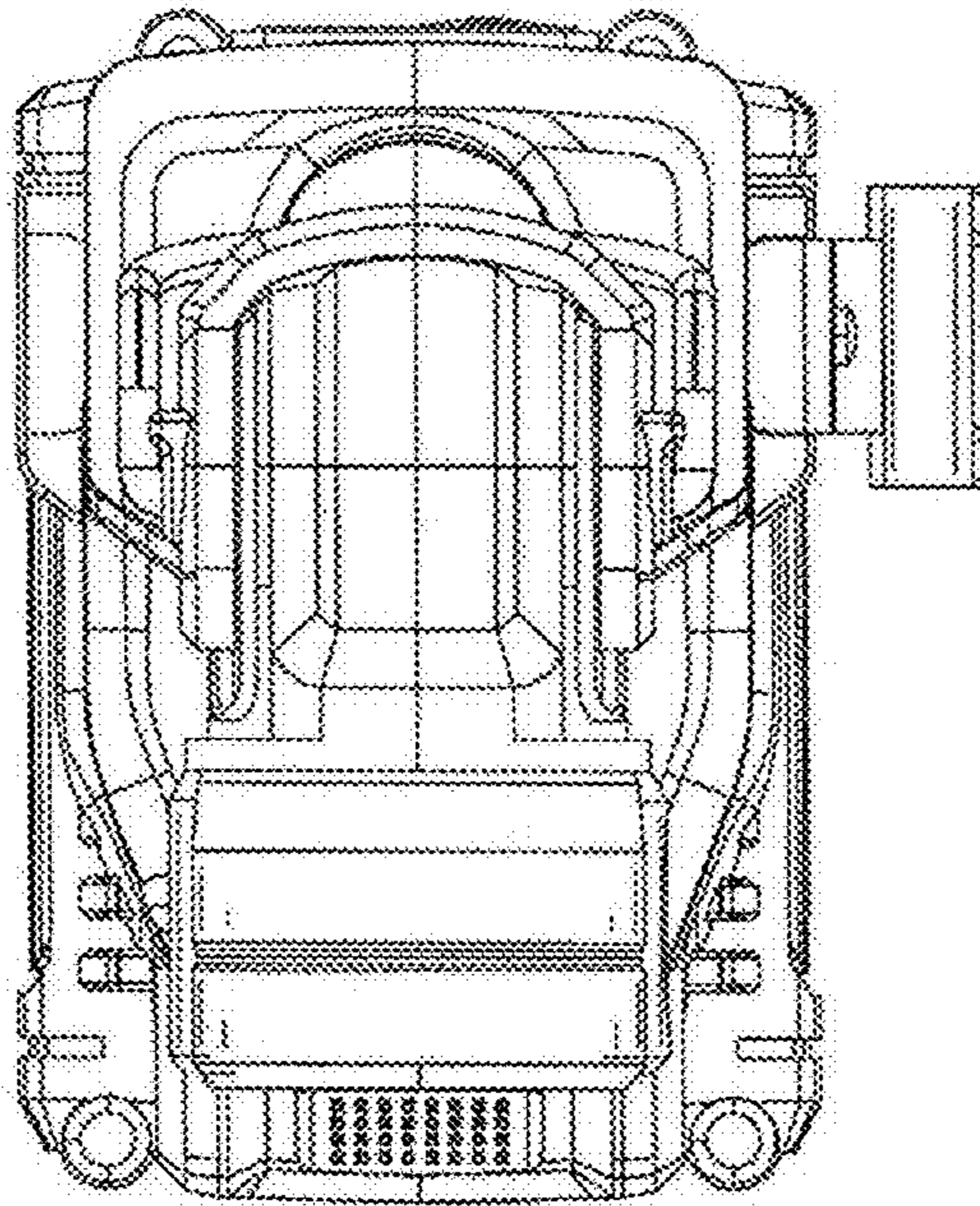


*Fig. 2*

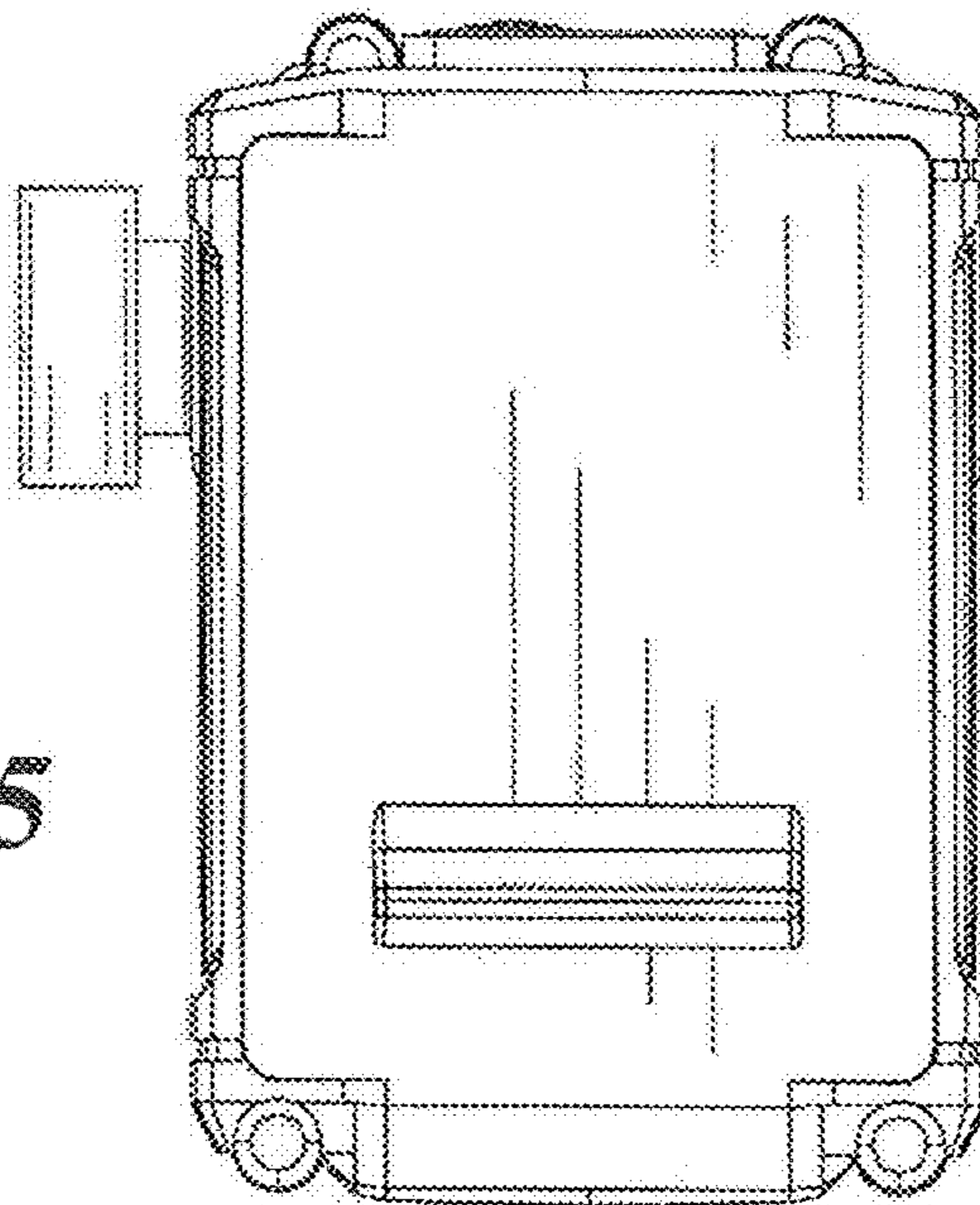


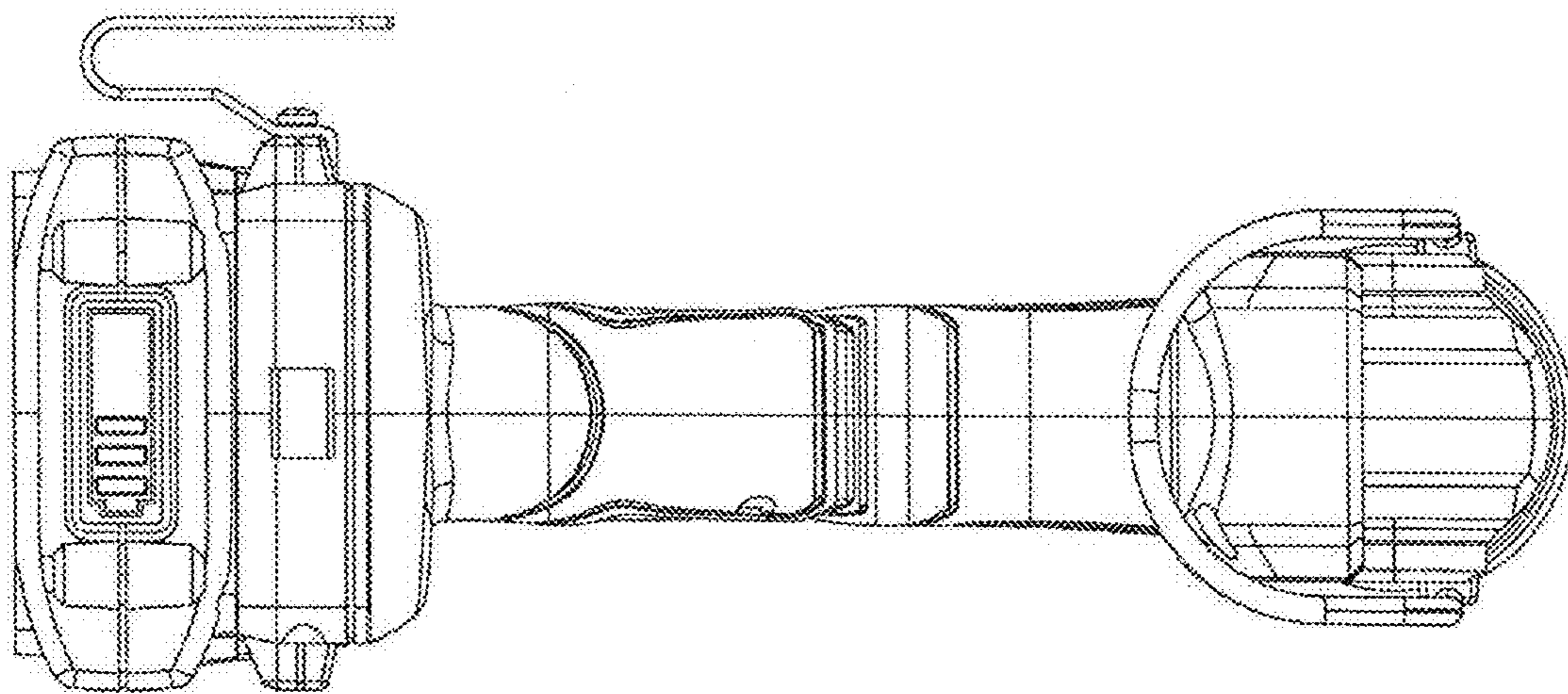
*Fig. 3*

*Fig. 4*



*Fig. 5*





*Fig. 6*