



US00D869523S

(12) **United States Design Patent** (10) **Patent No.:** **US D869,523 S**
André (45) **Date of Patent:** **** Dec. 10, 2019**

(54) **MACHINE TOOL FOR DRILLING DEEP HOLES**

(71) Applicant: **CHETOCORPORATION, S.A.**,
Oliveira de Azemeis (PT)

(72) Inventor: **Sérgio David Tavares André**, Vale de
Cambra (PT)

(**) Term: **15 Years**

(21) Appl. No.: **35/503,507**

(22) Filed: **Apr. 12, 2017**

(80) **Hague Agreement Data**

Int. Filing Date: **Apr. 12, 2017**

Int. Reg. No.: **DM/097164**

Int. Reg. Date: **Apr. 12, 2017**

Int. Reg. Pub. Date: **Aug. 11, 2017**

(30) **Foreign Application Priority Data**

Oct. 13, 2016 (EM) 003417872-0001

Oct. 13, 2016 (EM) 003417872-0002

Oct. 13, 2016 (EM) 003417872-0003

(51) **LOC (12) Cl.** **05-05**

(52) **U.S. Cl.**
USPC **D15/122**
CPC **E21B 7/024** (2013.01)

(58) **Field of Classification Search**
USPC D15/21, 122, 132, 199; 173/25, 27, 28,
173/189, 9.5, 9.52; 73/152.4, 152.46
CPC . E21B 7/024; E21B 7/022; E21B 7/02; E21B
7/023; B60G 17/005; B60G 2300/09;
B60G 2300/32; B60G 2300/40; B62D
55/116; B62D 55/104
See application file for complete search history.

(56) **References Cited**

U.S. PATENT DOCUMENTS

D266,520 S * 10/1982 Engel D15/122

4,443,929 A * 4/1984 Bayer B23Q 3/15713
483/32

D277,679 S * 2/1985 Kitamura D15/122
4,651,404 A * 3/1987 Shorrock B23Q 1/03
29/563
4,704,773 A * 11/1987 Quinart B23B 3/06
29/27 C
D302,163 S * 7/1989 Itoh D15/122
5,175,408 A * 12/1992 Takashima B23H 7/101
219/69.12
5,273,124 A * 12/1993 Lloyd E21B 3/02
173/185
D379,998 S * 6/1997 Marinkovic D15/124
D388,103 S * 12/1997 Gotou D15/122
5,782,151 A * 7/1998 Shiramasa B23Q 5/40
409/134
5,871,426 A * 2/1999 Araki B23Q 3/15526
483/44
D428,025 S * 7/2000 Miyake D15/127
D438,548 S * 3/2001 Inada D15/127
D489,077 S * 4/2004 Bloch D15/122
D495,723 S * 9/2004 Kawamura D15/127
7,013,544 B2 * 3/2006 Yasuda B23Q 7/1431
29/27 C
7,226,403 B2 * 6/2007 Konvicka B23Q 1/012
198/346.1

(Continued)

Primary Examiner — Richard E Chilcot

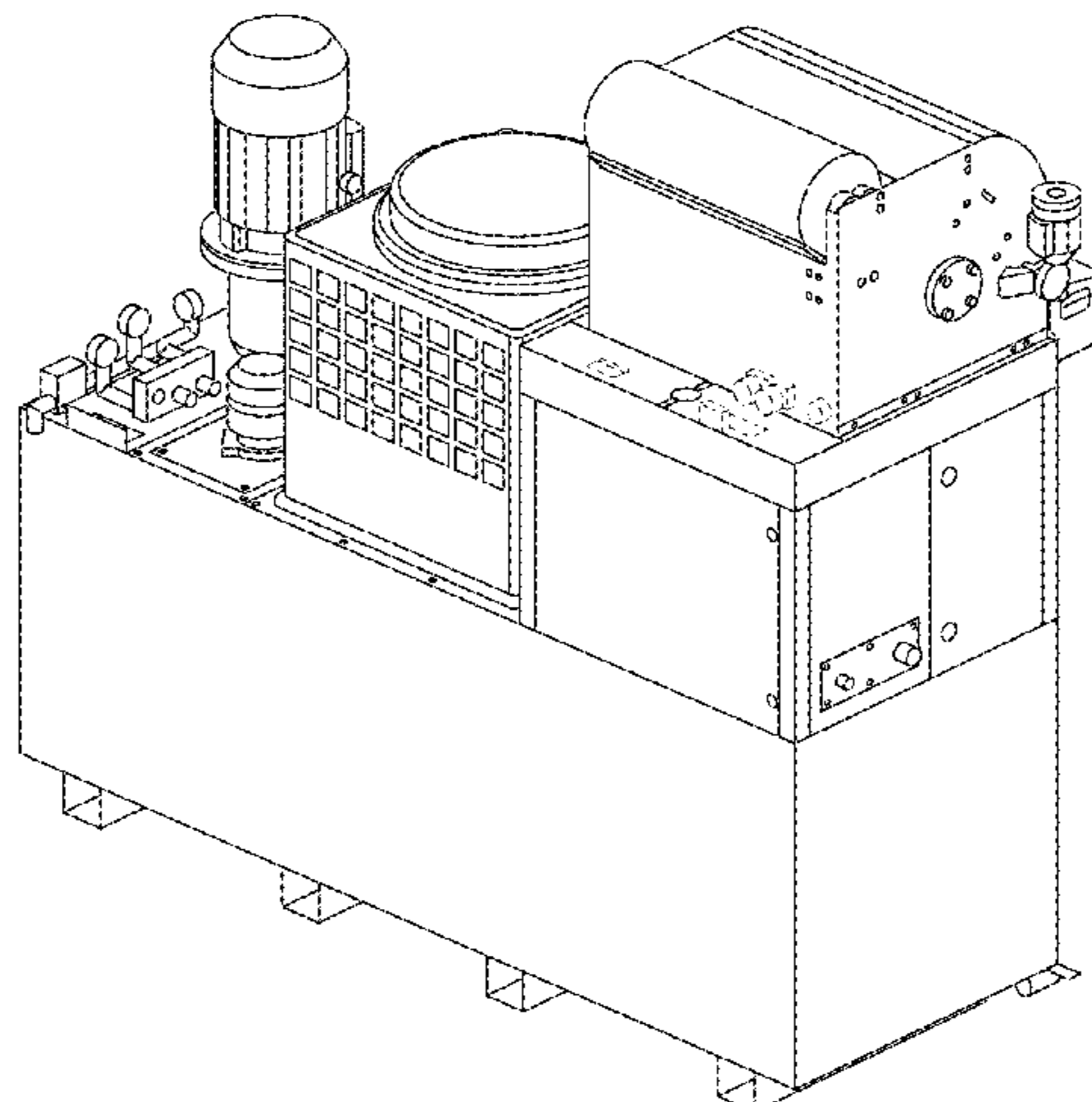
(57) **CLAIM**

The ornamental design for a machine tool for drilling deep holes, as shown and described.

DESCRIPTION

1. Machine tool for drilling deep holes
- 1.1 is a front view of the machine tool for drilling deep holes;
- 1.2 is a left side view thereof;
- 1.3 is a top view thereof;
- 1.4 is a right side view thereof;
- 1.5 is a back view thereof;
- 1.6 is a front perspective view thereof; and
- 1.7 is a back perspective view thereof.

1 Claim, 7 Drawing Sheets



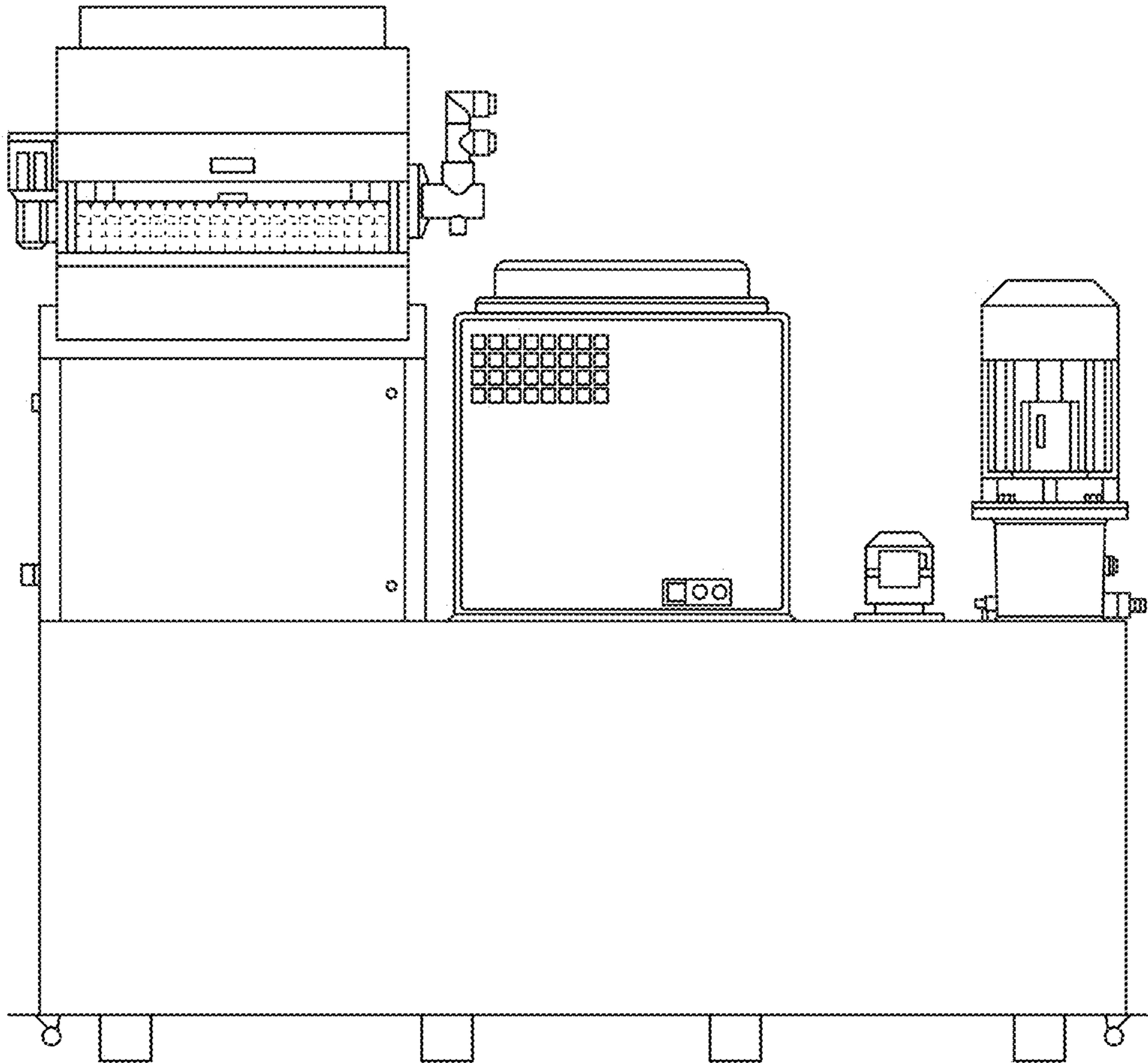
(56)

References Cited

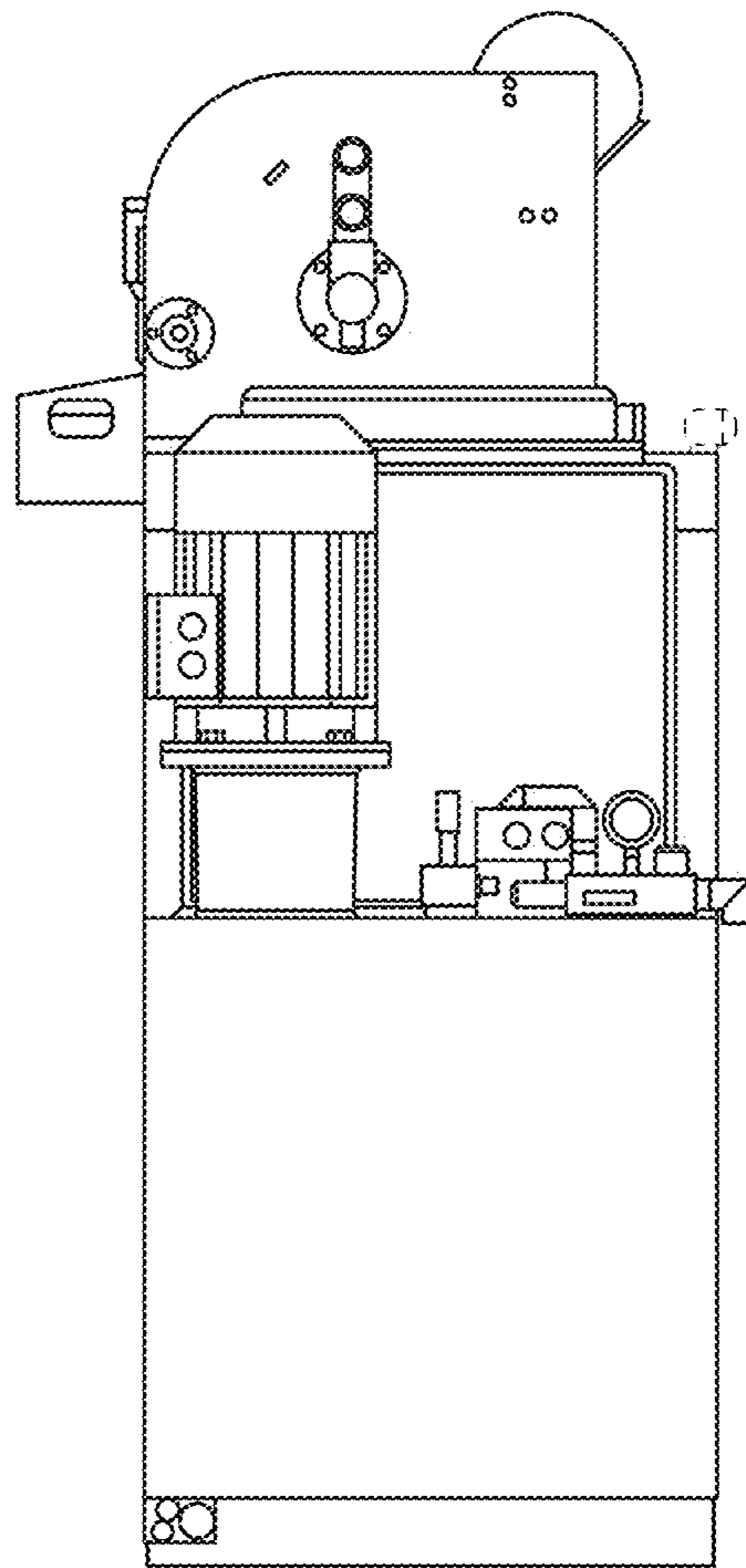
U.S. PATENT DOCUMENTS

| | | | | | | | |
|--------------|---------|------------------|---------|--------------|---------|-----------------|----------|
| D548,754 S * | 8/2007 | Itabashi | D15/122 | D692,936 S * | 11/2013 | Thoma | D15/127 |
| D548,755 S * | 8/2007 | Takeshima | D15/122 | D692,937 S * | 11/2013 | Thoma | D15/127 |
| D551,268 S * | 9/2007 | Iwamoto | D15/127 | D693,380 S * | 11/2013 | Mueller | D15/122 |
| D559,871 S * | 1/2008 | Kittaka | D15/122 | D693,859 S * | 11/2013 | Kitamura | D15/122 |
| D567,263 S * | 4/2008 | Sugihara | D15/122 | D694,787 S * | 12/2013 | Mueller | D15/122 |
| D578,144 S * | 10/2008 | Arisue | D15/122 | D696,315 S * | 12/2013 | Schmid | D15/122 |
| D637,631 S * | 5/2011 | Hiroshima | D15/122 | D701,250 S * | 3/2014 | Thoma | D15/127 |
| D649,174 S * | 11/2011 | Schindler | D15/127 | D701,251 S * | 3/2014 | Thoma | D15/127 |
| D649,567 S * | 11/2011 | Schindler | D15/127 | D701,252 S * | 3/2014 | Thoma | D15/127 |
| D667,032 S * | 9/2012 | Egami | D15/122 | D701,253 S * | 3/2014 | Thoma | D15/127 |
| D668,277 S * | 10/2012 | Miyake | D15/127 | D707,289 S * | 6/2014 | Thoma | D18/34.8 |
| D668,278 S * | 10/2012 | Miyake | D15/127 | D716,857 S * | 11/2014 | Shimano | D15/122 |
| D669,104 S * | 10/2012 | Michl | D15/122 | D726,789 S * | 4/2015 | Schmid | D15/122 |
| D671,969 S * | 12/2012 | Yang | D15/122 | D734,787 S * | 7/2015 | Schonherr | D15/122 |
| D676,881 S * | 2/2013 | Mueller | D15/122 | D759,133 S * | 6/2016 | Kitamura | D15/122 |
| D676,882 S * | 2/2013 | Mueller | D15/122 | D759,736 S * | 6/2016 | Huang | D15/122 |
| D680,563 S * | 4/2013 | Yang | D15/122 | D759,738 S * | 6/2016 | Schonherr | D15/122 |
| D690,330 S * | 9/2013 | Tsuchiyama | D15/122 | D778,329 S * | 2/2017 | Grobe | D15/122 |
| D690,331 S * | 9/2013 | Kitamura | D15/122 | D780,812 S * | 3/2017 | Niemczyk | D15/21 |
| D691,645 S * | 10/2013 | Klien | D15/122 | D783,694 S * | 4/2017 | Yauchi | D15/122 |
| | | | | D797,822 S * | 9/2017 | Grobe | D15/122 |
| | | | | D808,447 S * | 1/2018 | Grobe | D15/122 |

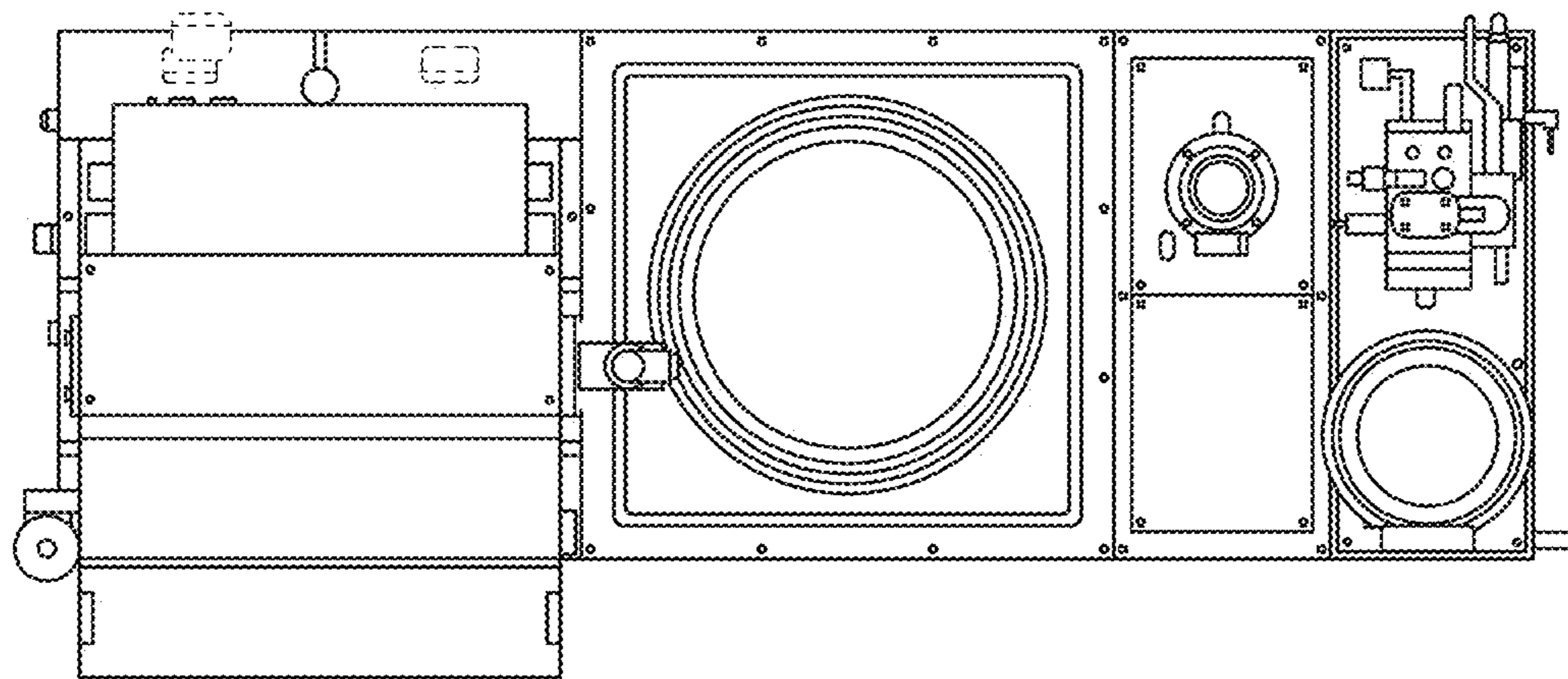
* cited by examiner



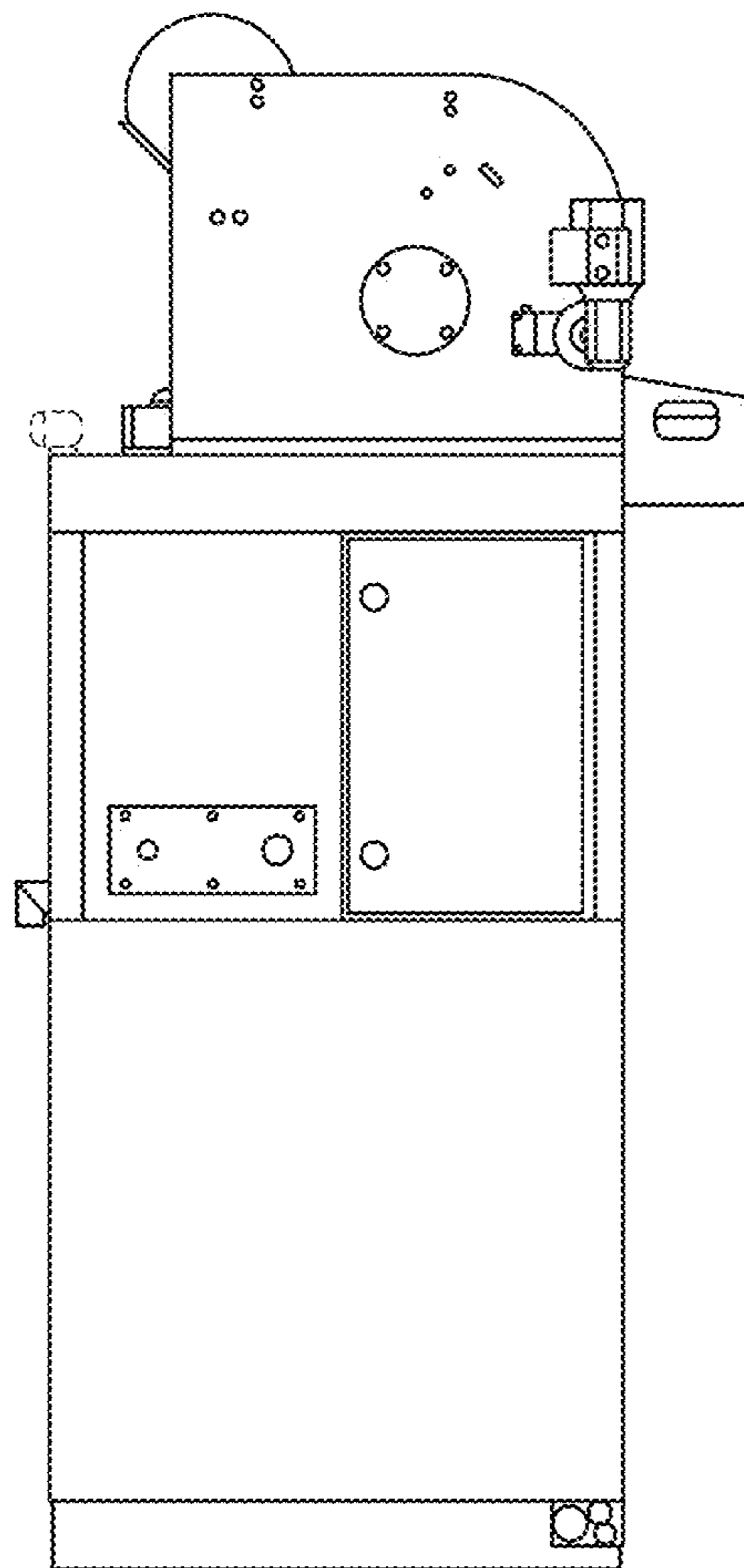
1.1



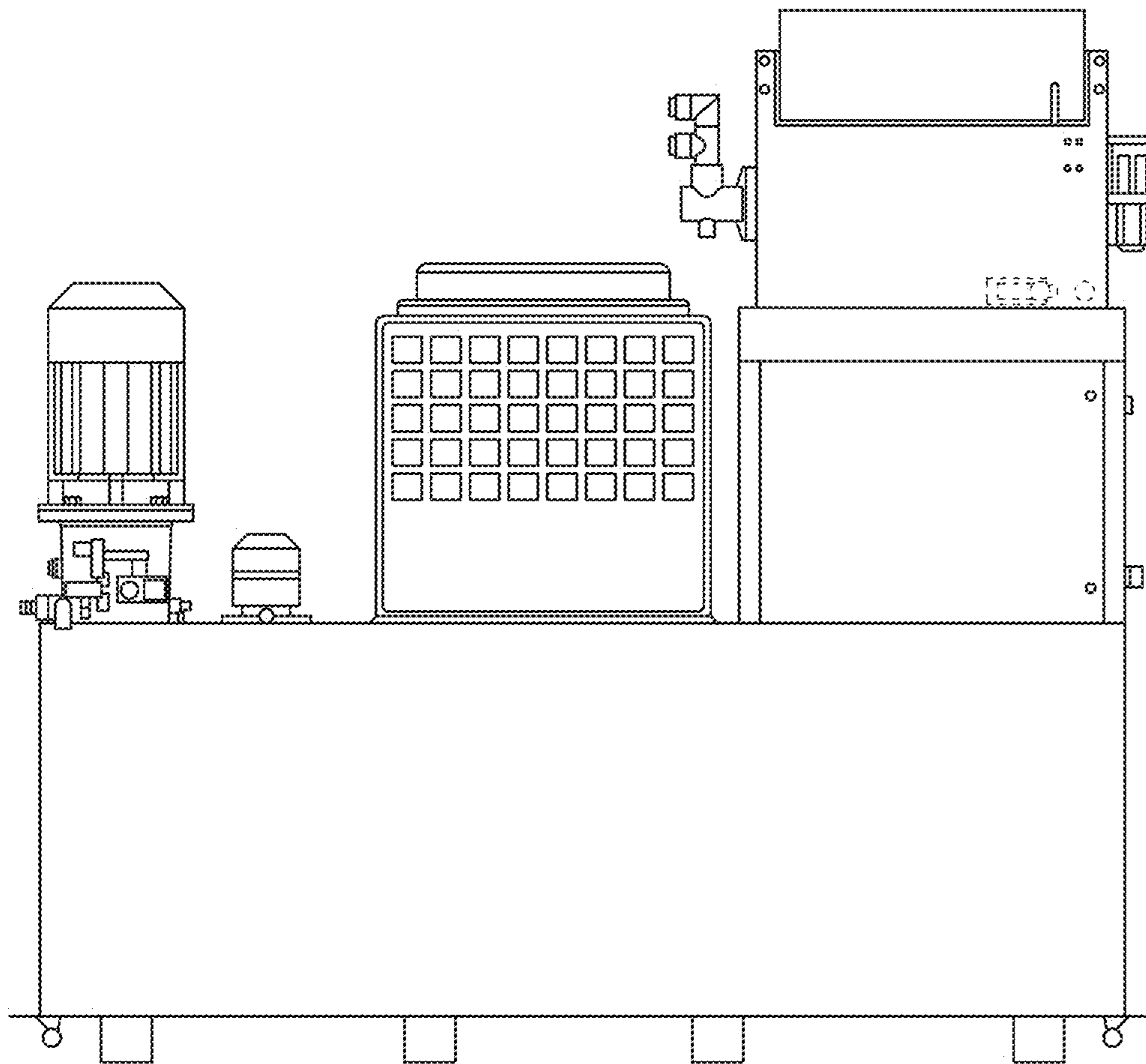
1.2



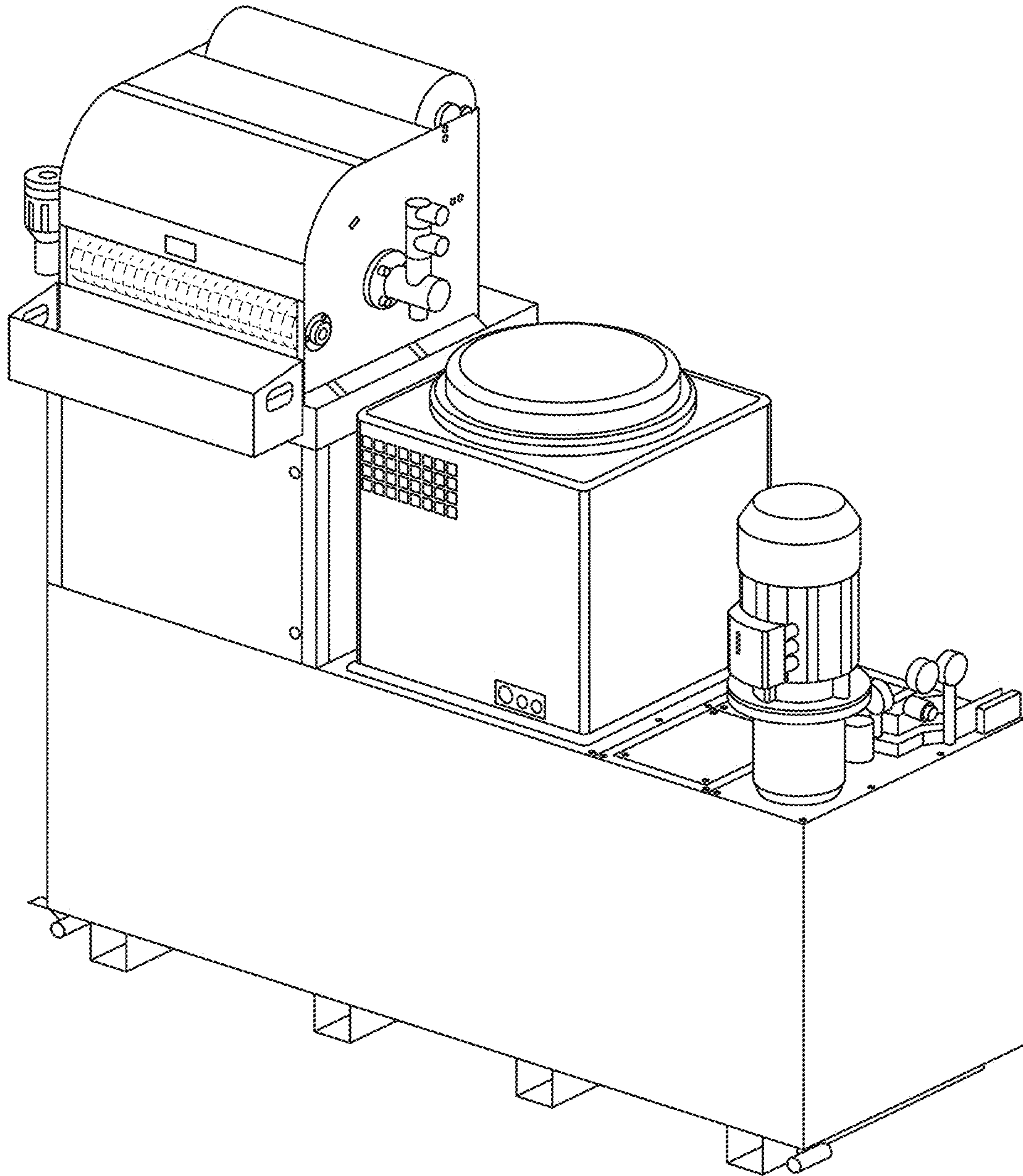
1.3



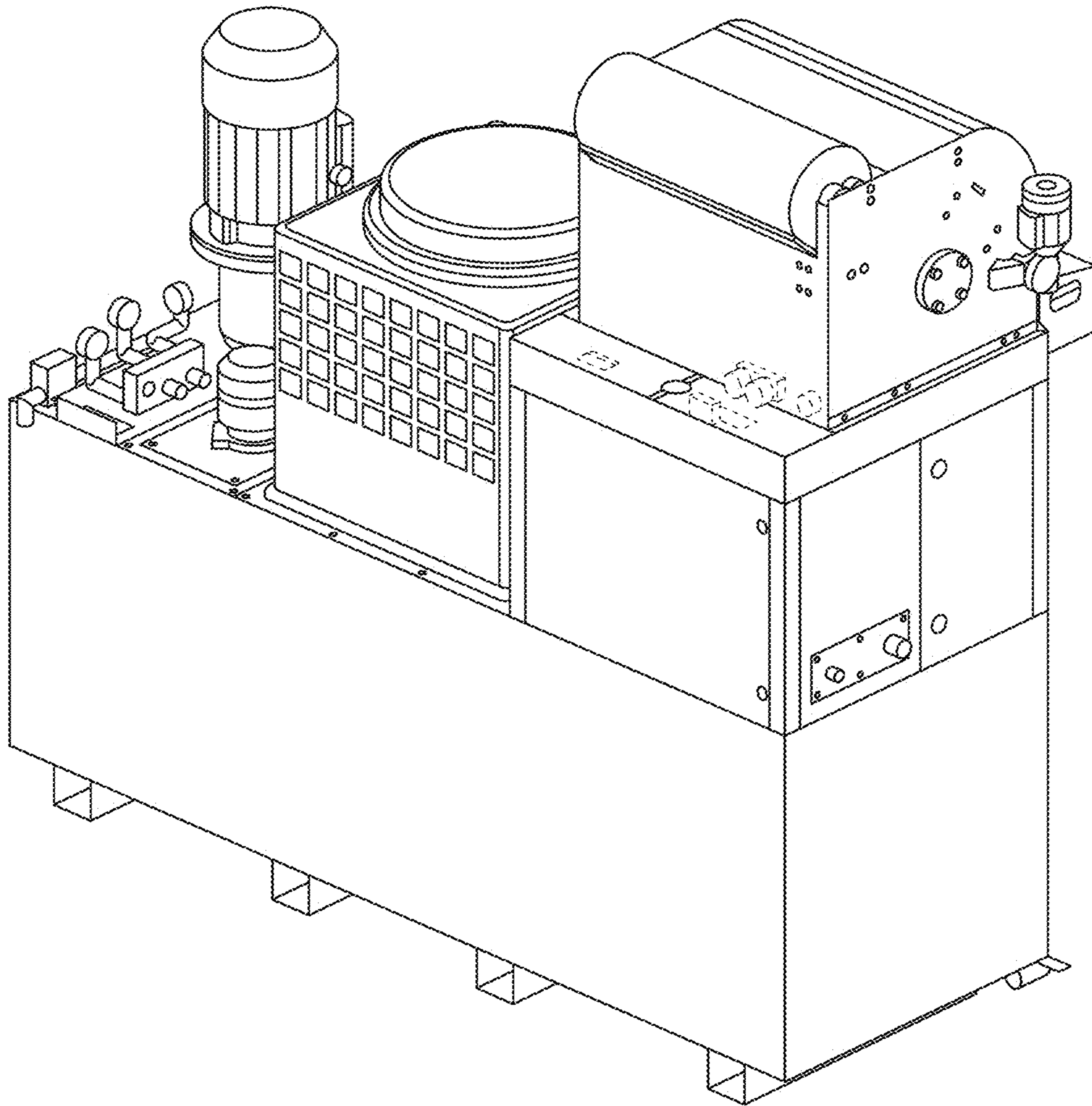
1.4



1.5



1.6



1.7