



US00D869517S

(12) **United States Design Patent** (10) **Patent No.:** **US D869,517 S**
Saunders et al. (45) **Date of Patent:** **** Dec. 10, 2019**

(54) **DOUBLE REFRIGERATION UNIT CABINET**

(71) Applicant: **ROMAINE EMPIRE, INC.**, Chicago, IL (US)

(72) Inventors: **Luke Saunders**, Chicago, IL (US);
Matteo Bologna, Brooklyn, NY (US);
Andrea Brown, Belmont, MA (US)

(73) Assignee: **ROMAINE EMPIRE, INC.**, Chicago, IL (US)

(**) Term: **15 Years**

(21) Appl. No.: **29/701,429**

(22) Filed: **Aug. 12, 2019**

Related U.S. Application Data

(63) Continuation of application No. 29/625,810, filed on Nov. 13, 2017, now Pat. No. Des. 863,378.

(51) **LOC (12) Cl.** **15-07**

(52) **U.S. Cl.**
USPC **D15/79**

(58) **Field of Classification Search**
USPC D15/79-91
CPC F25D 25/025; F25D 23/028; F25D 2323/024; F25D 23/00; F25D 23/02; F25D 2323/021; F25D 23/065; F25D 11/00; F25D 2201/14; F25D 23/021; F25D 23/025; F25D 23/04; F25D 27/00; F25D 23/062; F25D 23/067; F25D 2400/18; F25D 2317/04131; F25D 2317/043; F25D 2317/0651; F25D 2317/0664; F25D 2317/0681; F25D 2317/0683; F25D 2323/00264; F25D 2323/121; F25D 2323/122; F25D 2325/022; F25D 23/064

See application file for complete search history.

(56) **References Cited**

U.S. PATENT DOCUMENTS

D73,776 S *	11/1927	Carrick	D15/79
D178,493 S *	8/1956	Carvel	D15/79
D344,962 S *	3/1994	Colman	D15/79
D359,055 S *	6/1995	Drago	D15/79
D368,916 S *	4/1996	Pawlowski	D15/79
D377,179 S *	1/1997	Sundheim	D15/79
D441,770 S *	5/2001	Bardin	D15/81
D503,786 S *	4/2005	Otaki	D15/79
D503,971 S *	4/2005	Otaki	D15/79
D522,114 S *	5/2006	Otaki	D15/79

(Continued)

Primary Examiner — Khawaja Anwar

(74) *Attorney, Agent, or Firm* — Marshall, Gerstein & Borun LLP

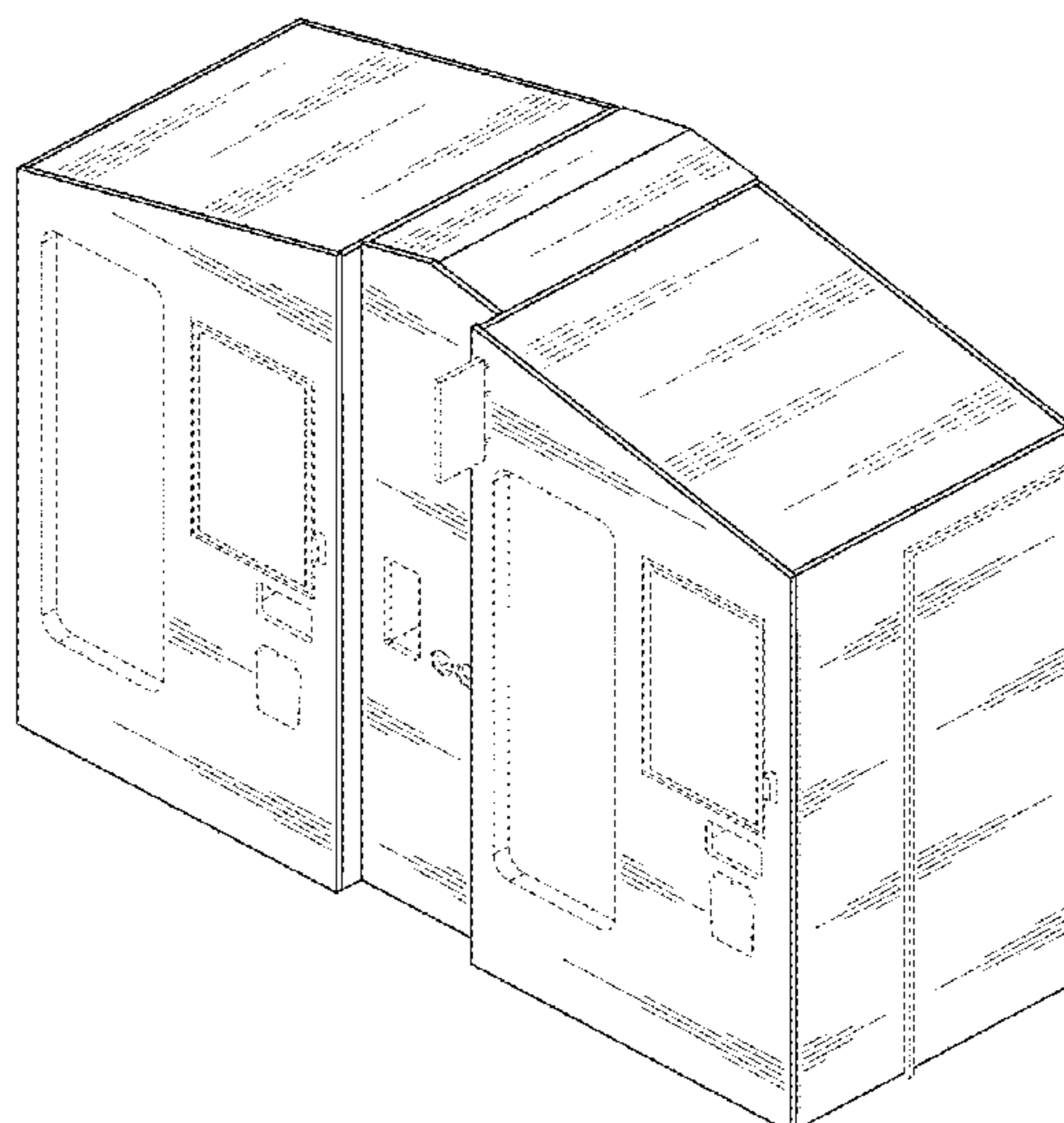
(57) **CLAIM**

The ornamental design for a double refrigeration unit cabinet, as shown and described.

DESCRIPTION

FIG. 1 is an isometric view of a double refrigeration unit cabinet showing our new design;
FIG. 2 is a front view thereof;
FIG. 3 is a back view thereof;
FIG. 4 is a right view thereof;
FIG. 5 is a left view thereof;
FIG. 6 is a top view thereof;
FIG. 7 is a bottom view thereof;
FIG. 8 is an isometric view of a second double refrigeration unit cabinet showing our new design;
FIG. 9 is a front view thereof;
FIG. 10 is a back view thereof;
FIG. 11 is a right view thereof;
FIG. 12 is a left view thereof;
FIG. 13 is a top view thereof; and,
FIG. 14 is a bottom view thereof.
The broken lines in the drawings depict environment, or portions of the double refrigeration unit cabinet, that are not part of the claimed design.

1 Claim, 12 Drawing Sheets



(56)

References Cited

U.S. PATENT DOCUMENTS

D674,822 S	*	1/2013	Ugumori	D15/79
D721,745 S	*	1/2015	Davis	D15/81
D771,158 S	*	11/2016	Jain	D15/81
D802,030 S	*	11/2017	Thuma	D15/81

* cited by examiner

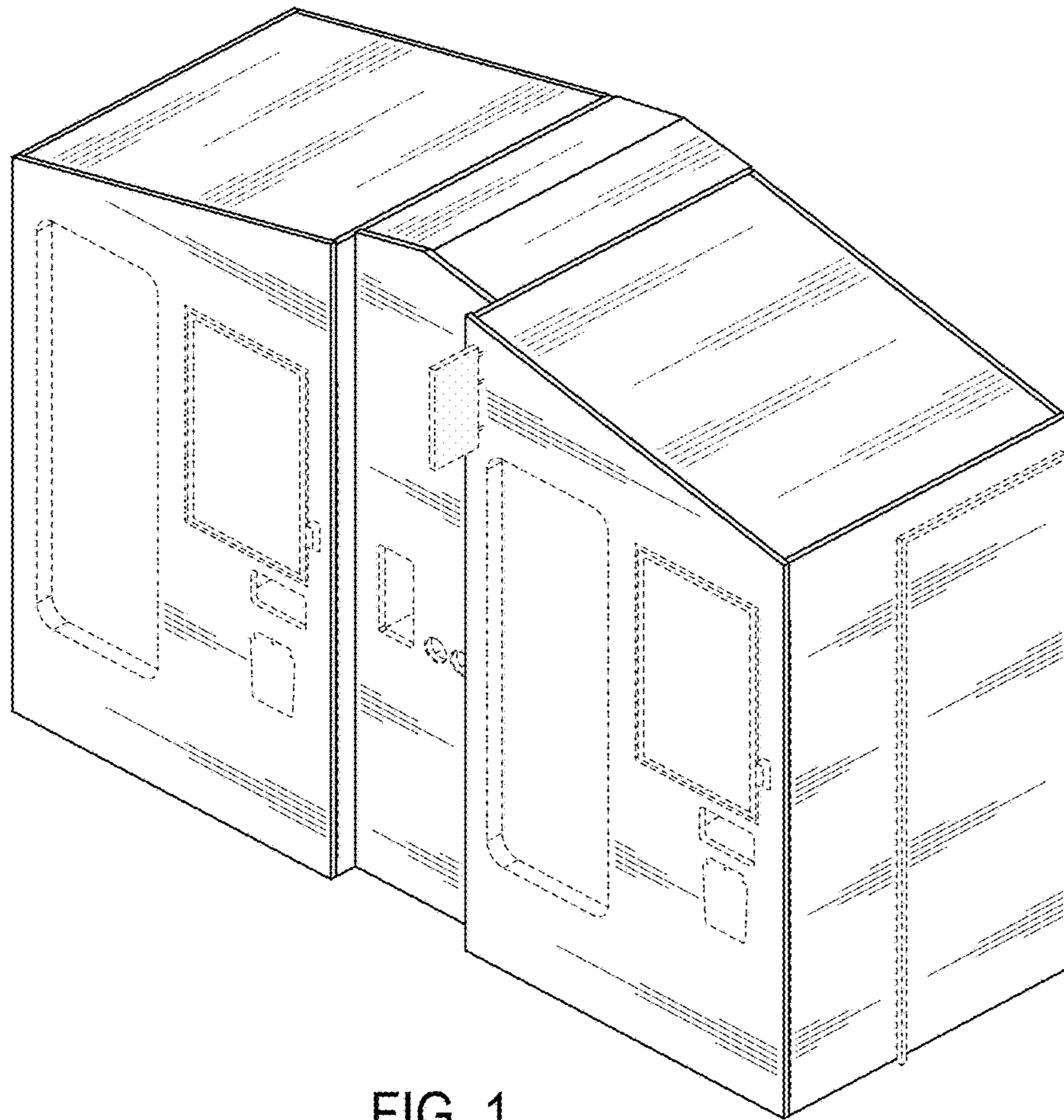


FIG. 1

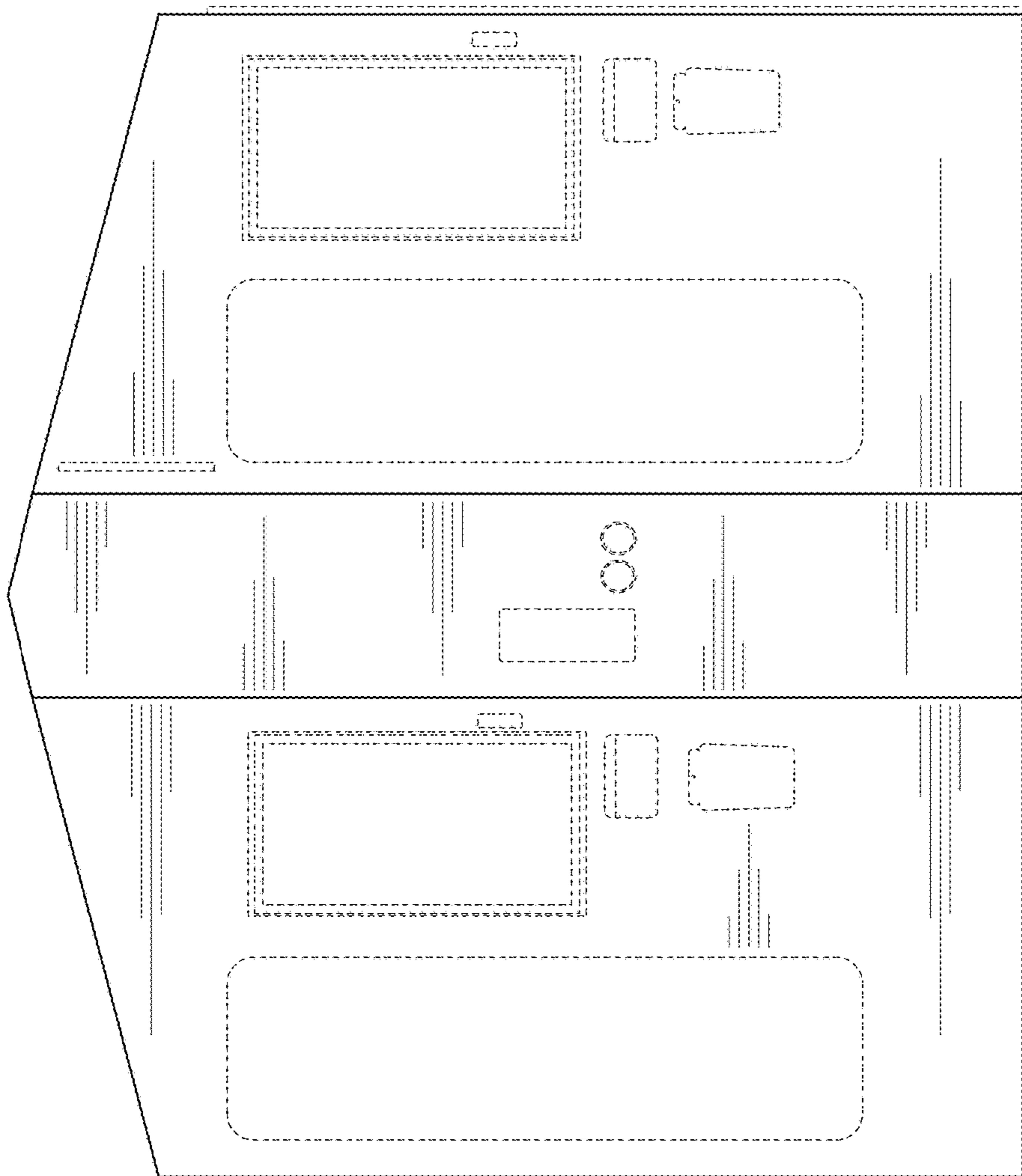


FIG. 2

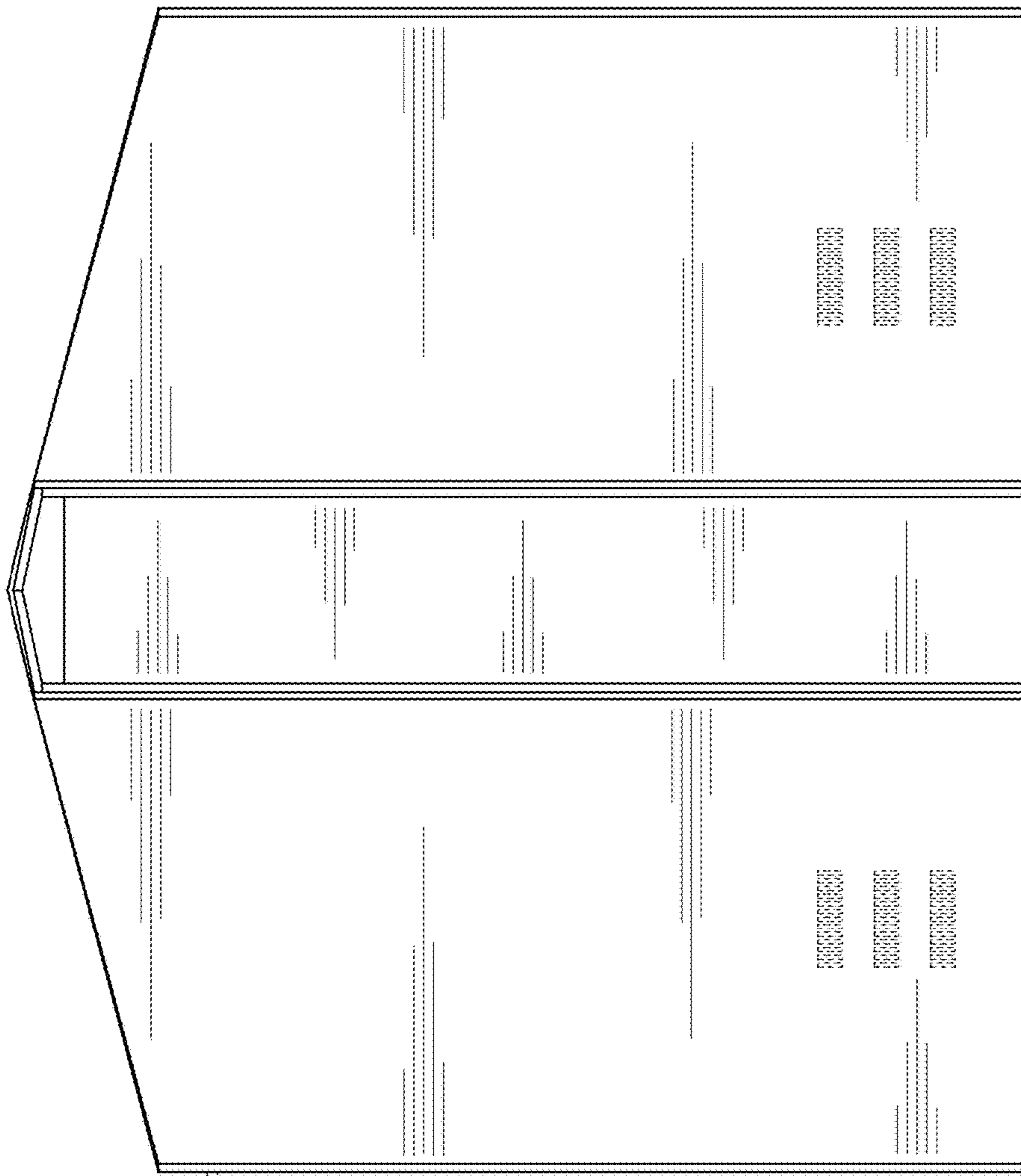


FIG. 3

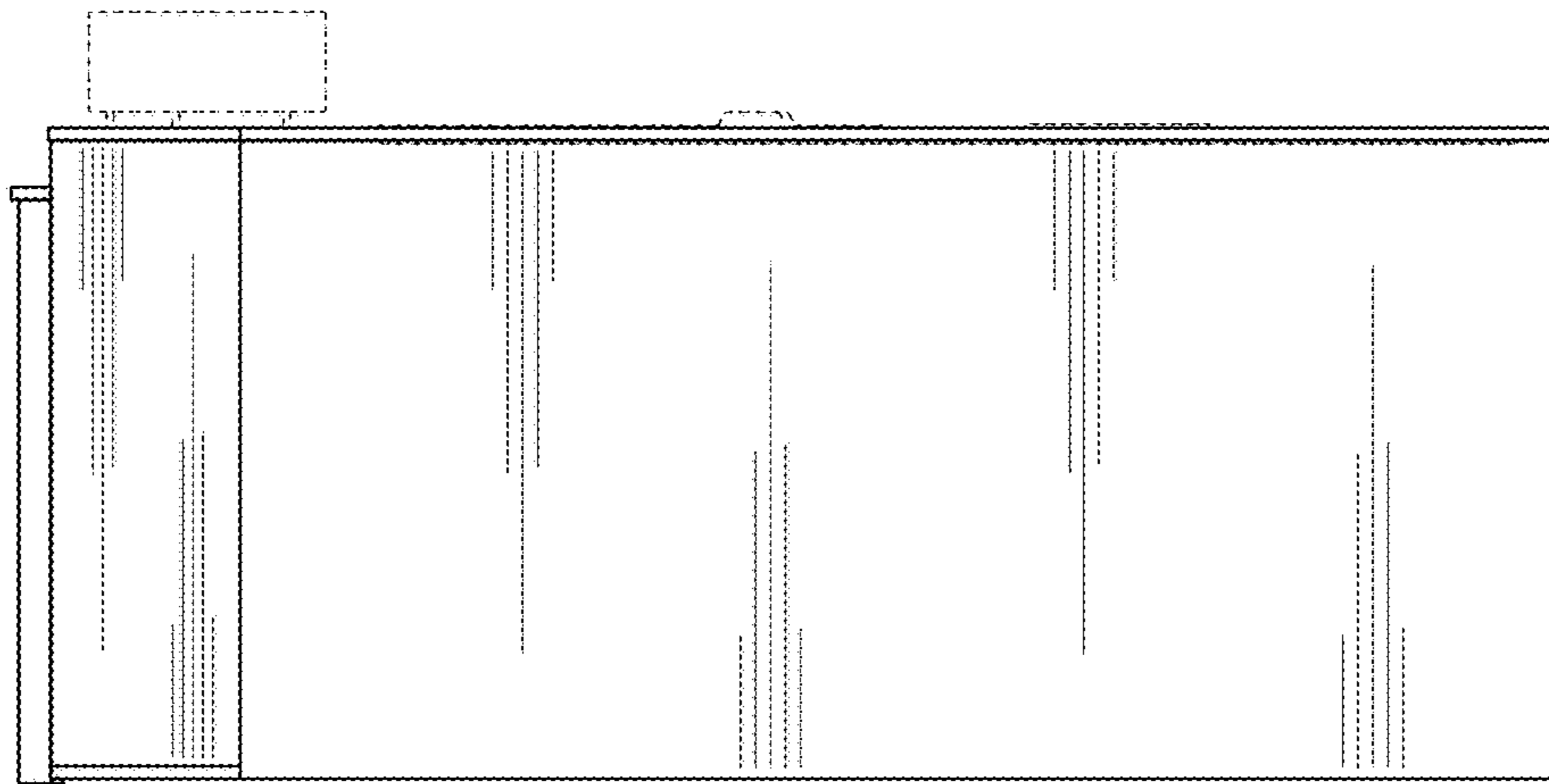


FIG. 5

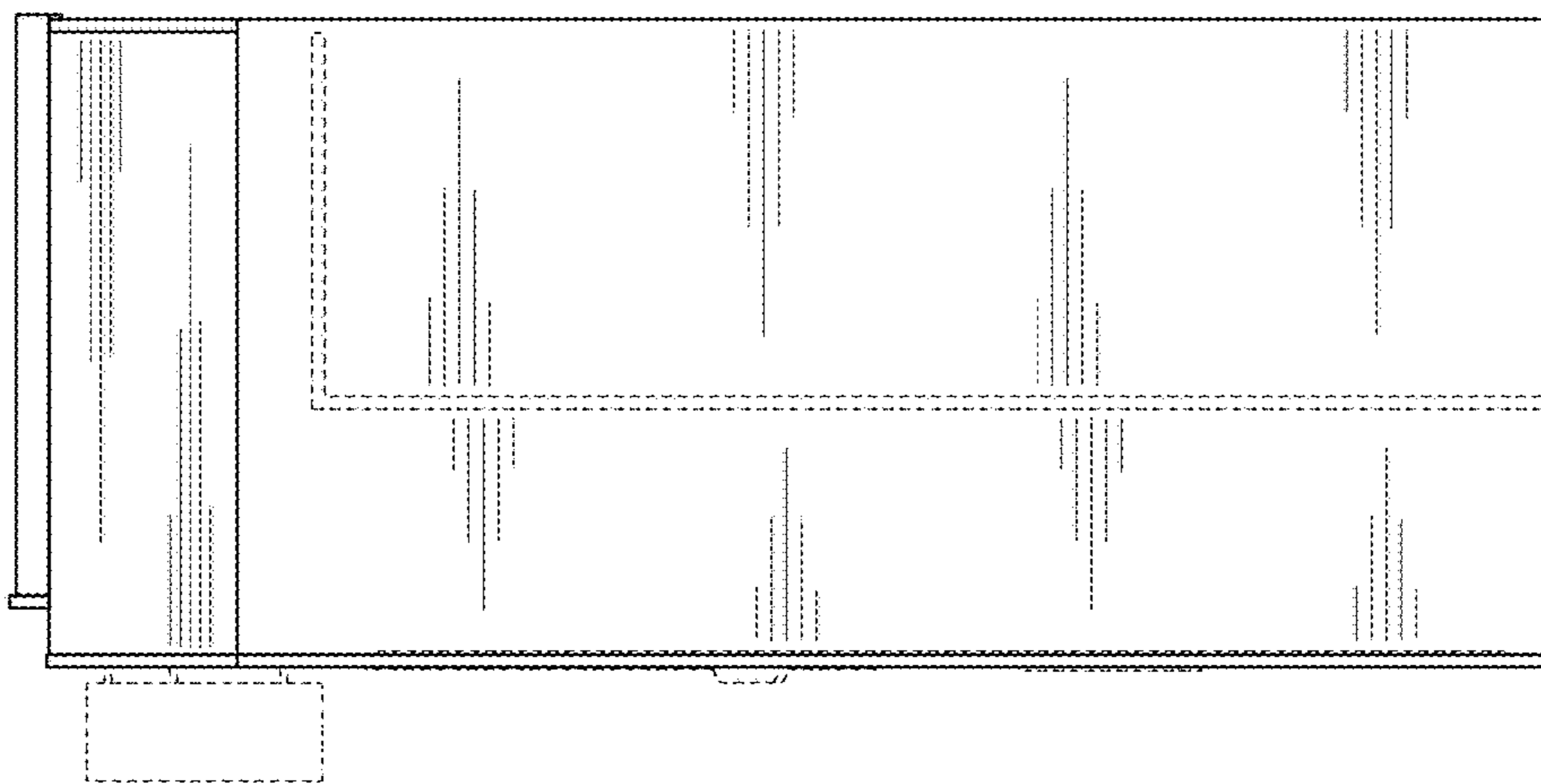


FIG. 4

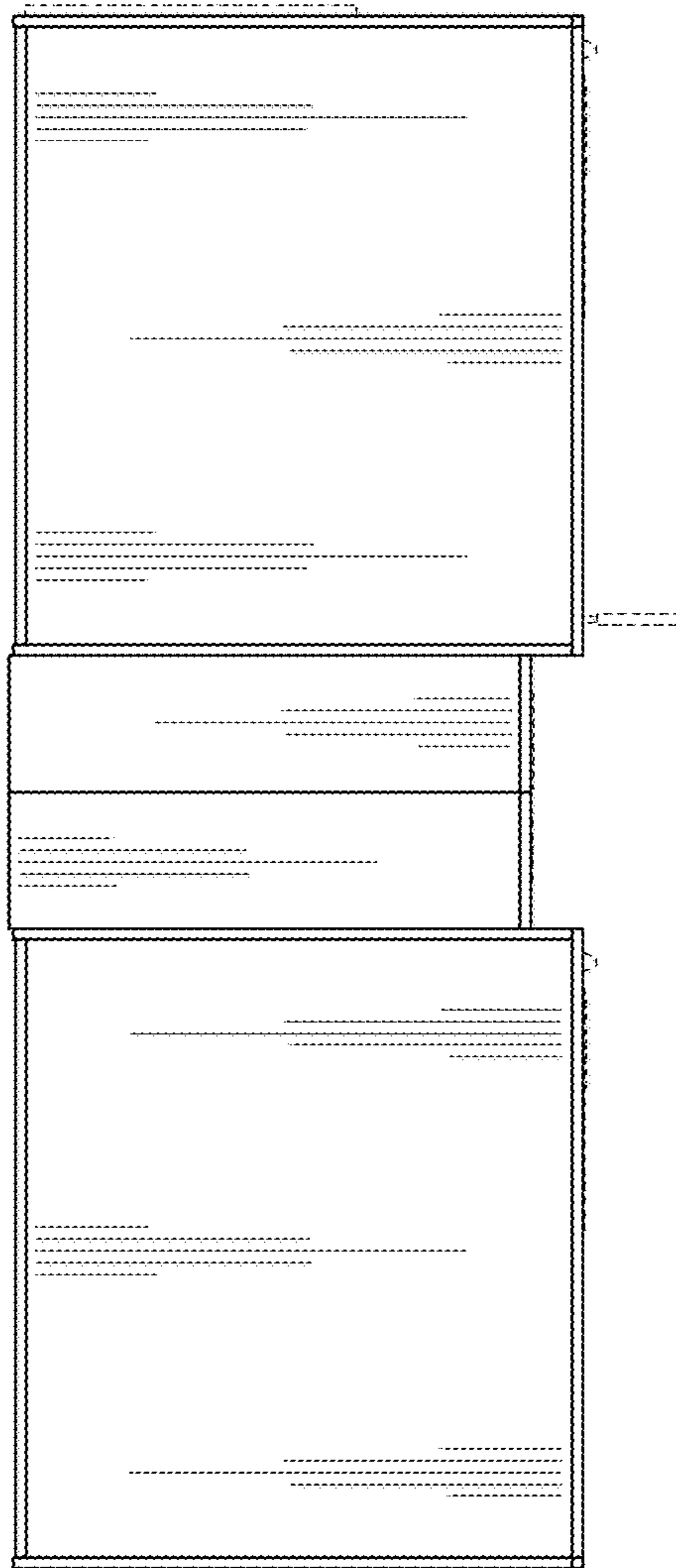


FIG. 6

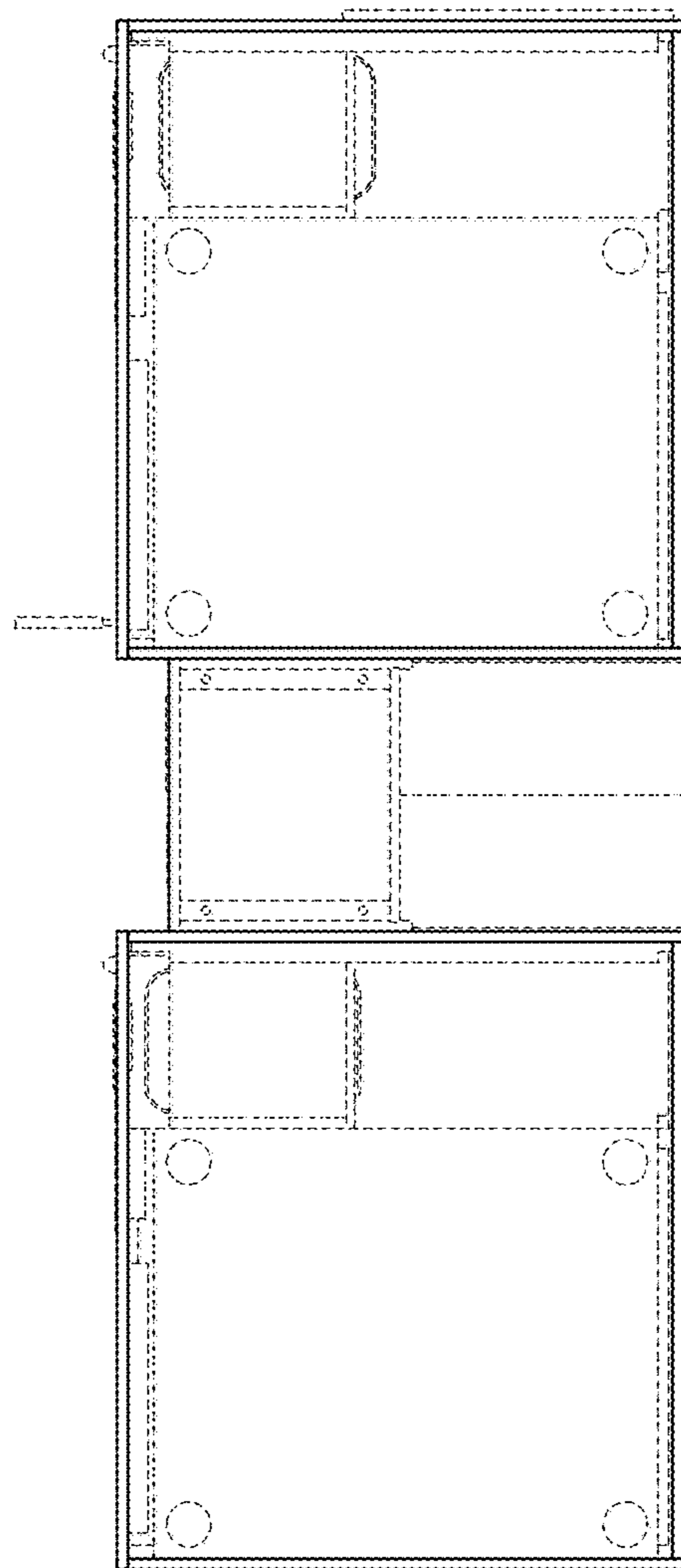


FIG. 7

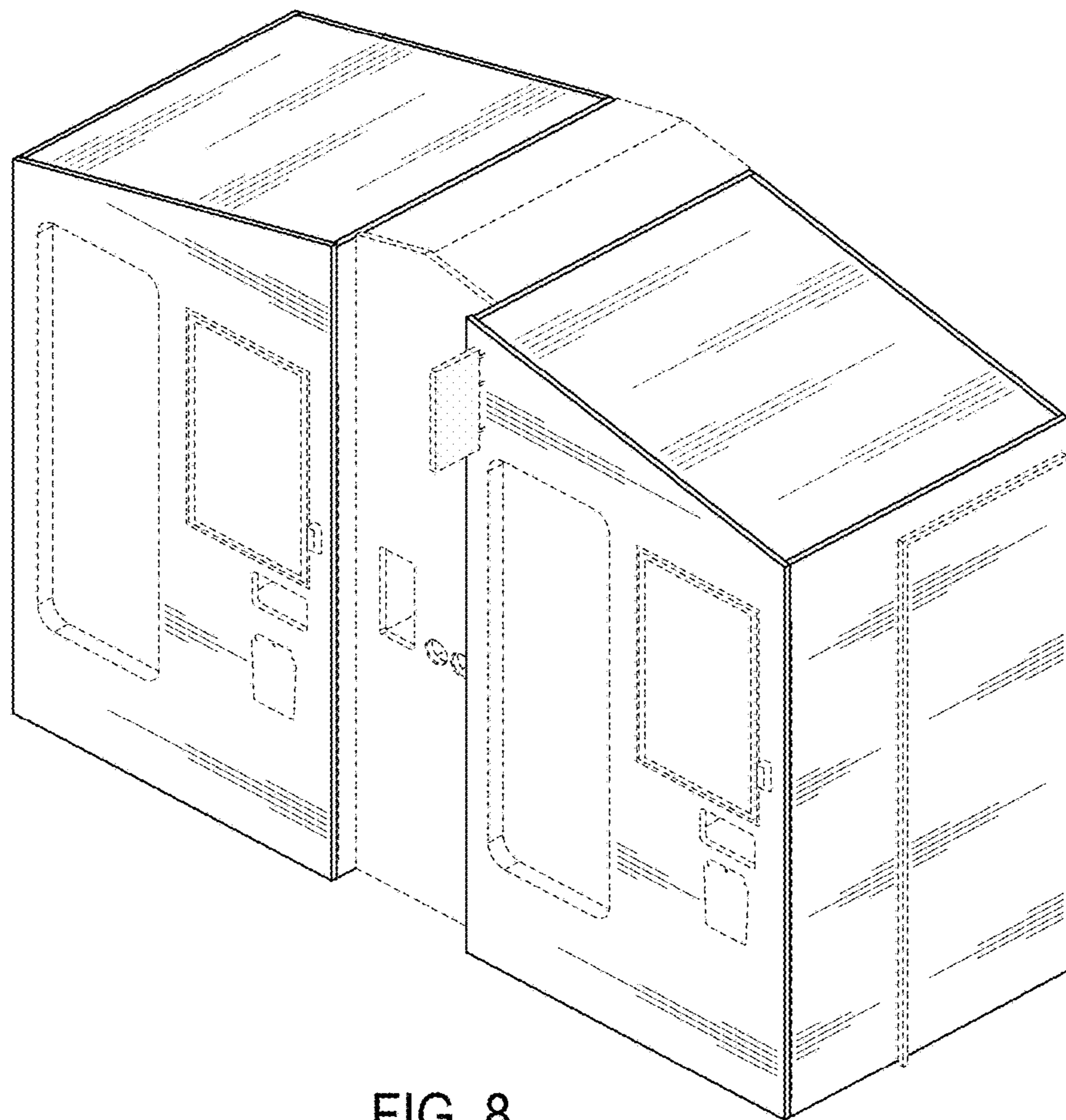


FIG. 8

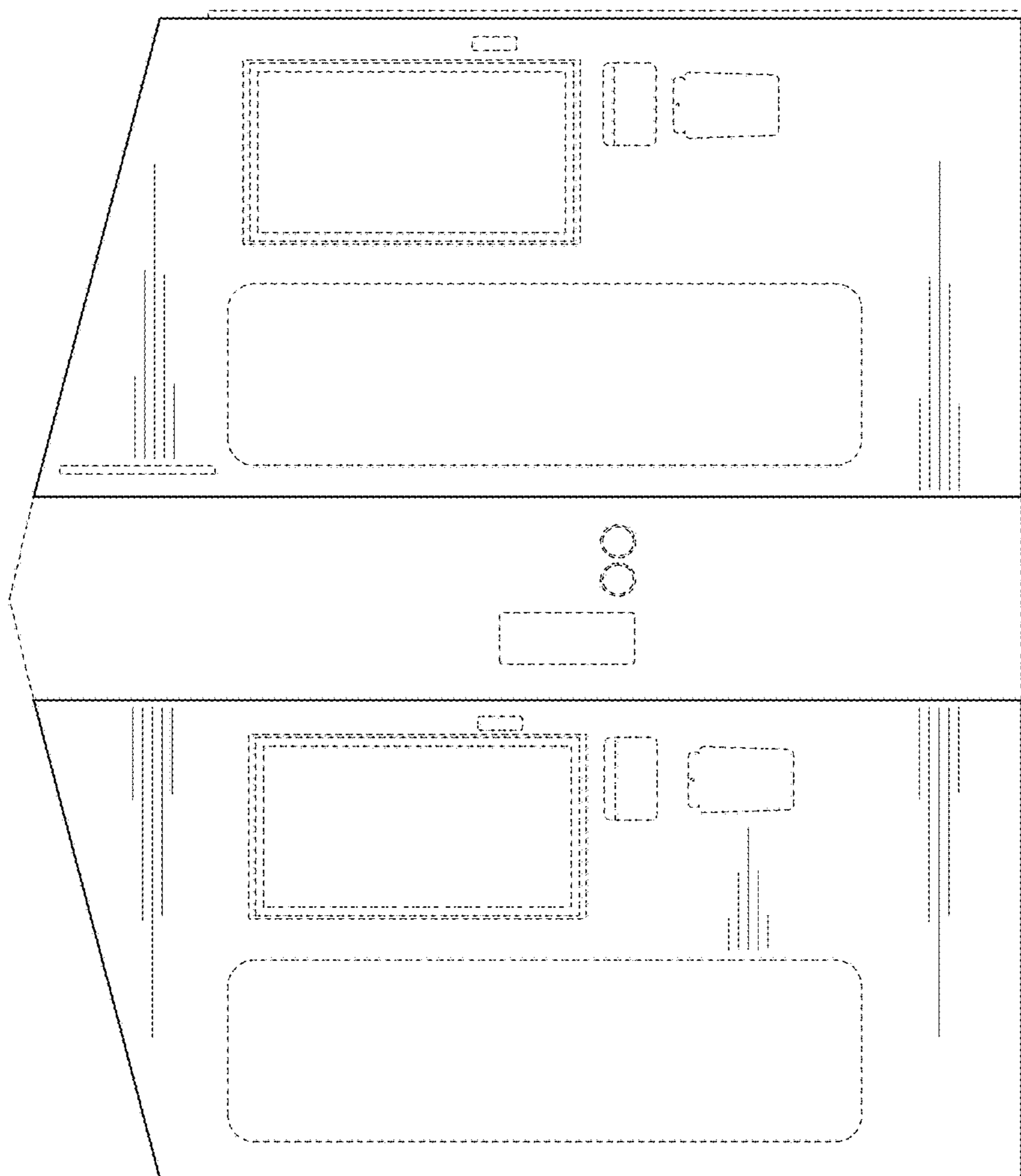


FIG. 9

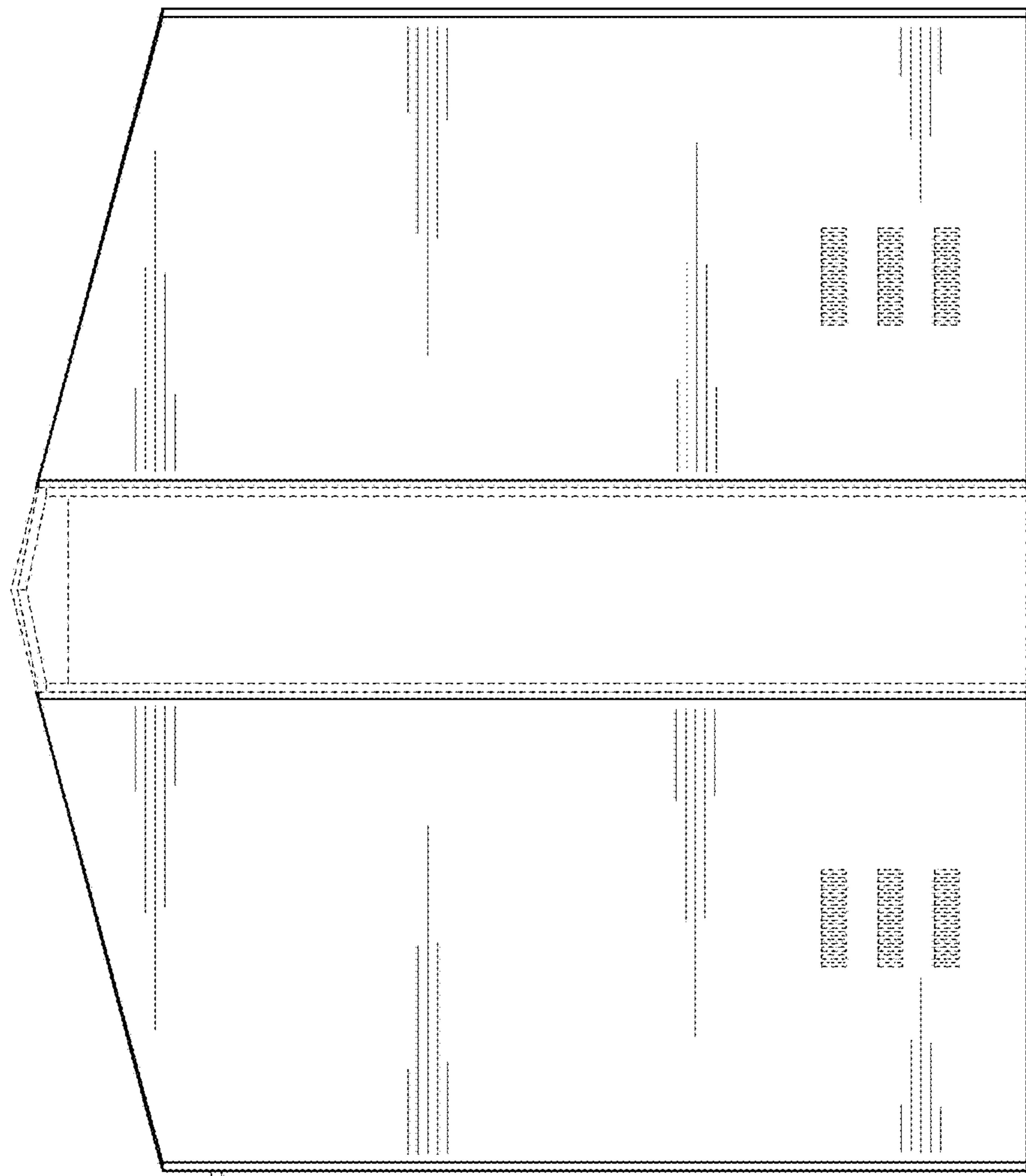


FIG. 10

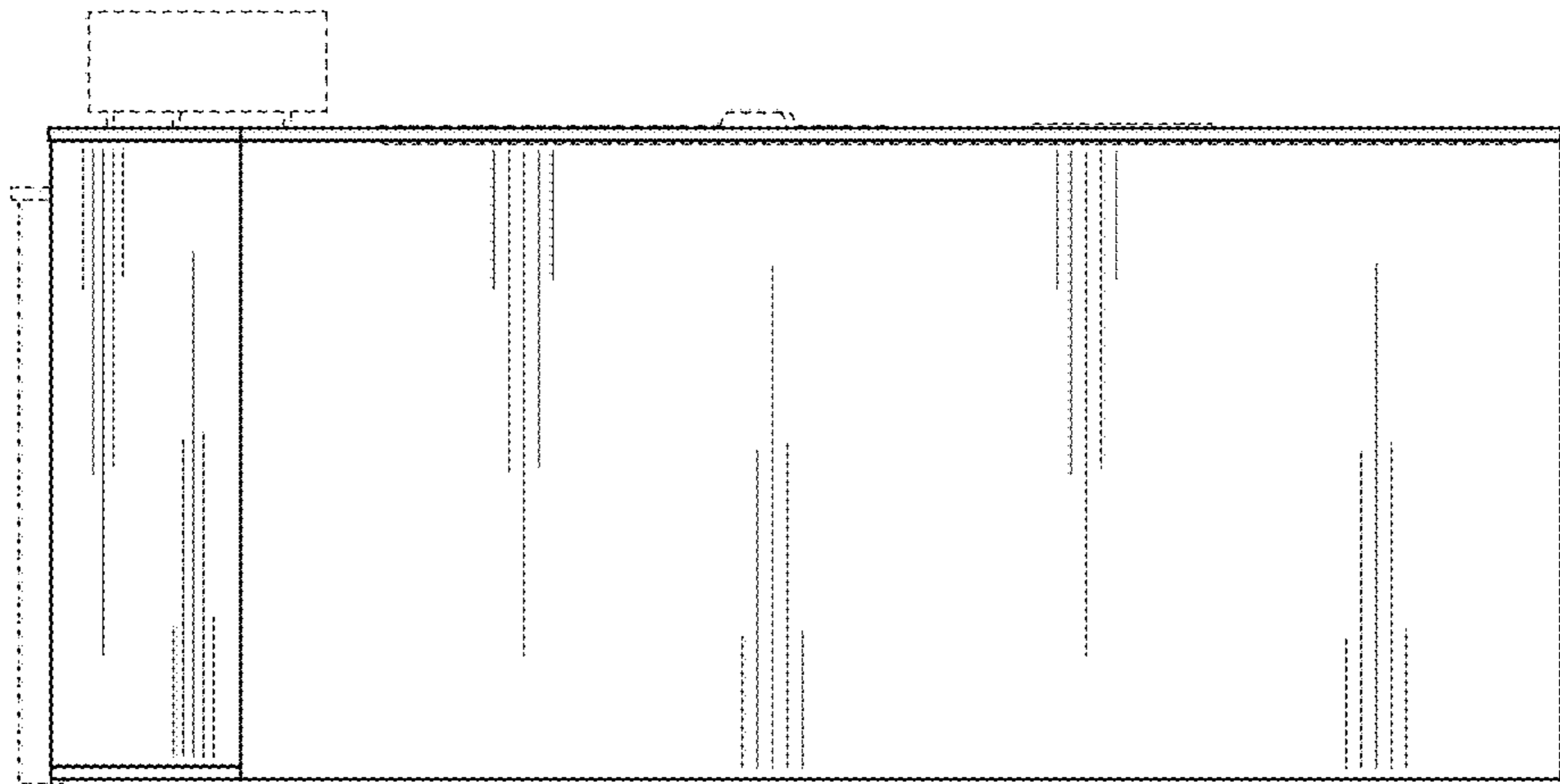


FIG. 12

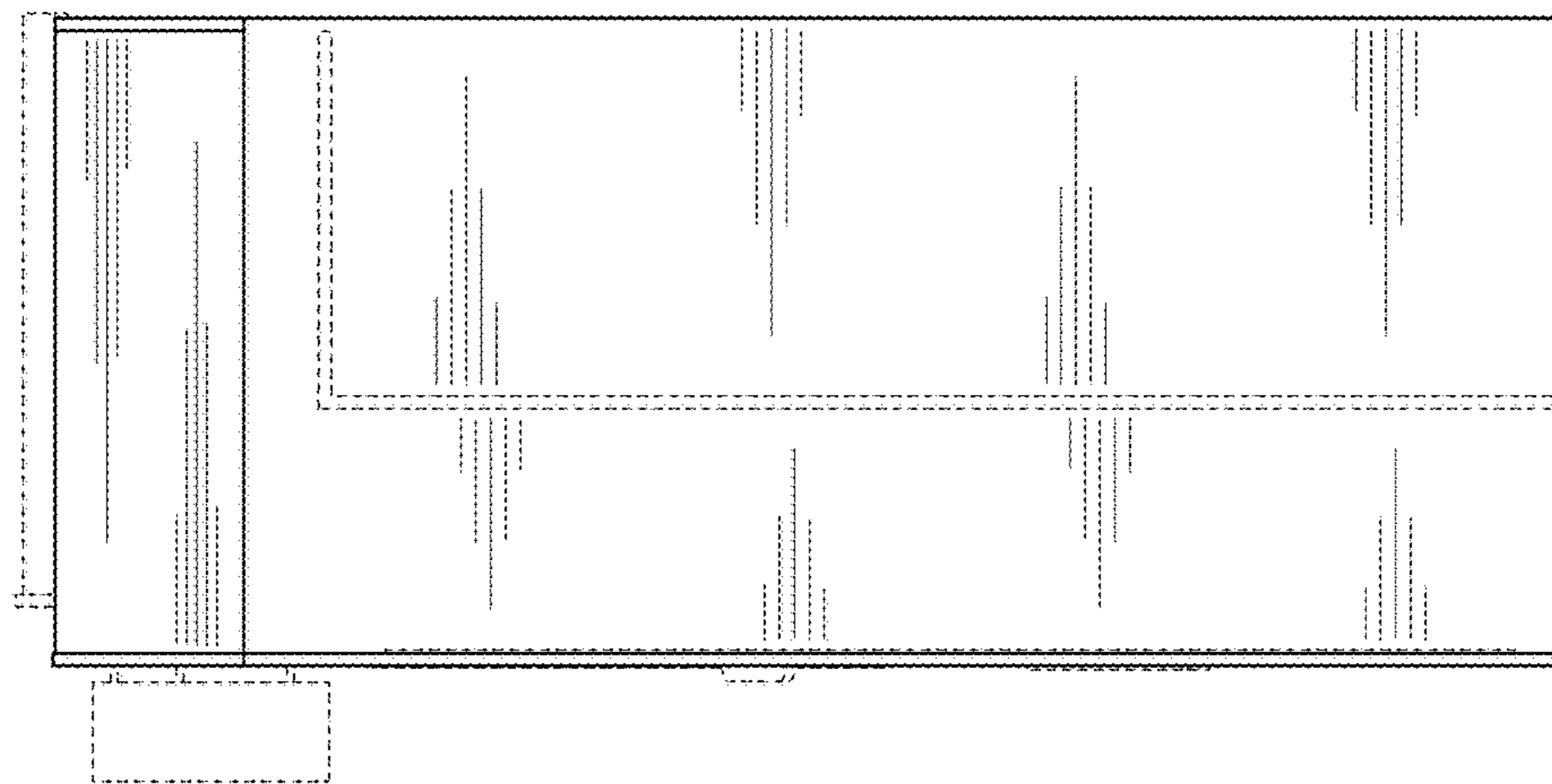


FIG. 11

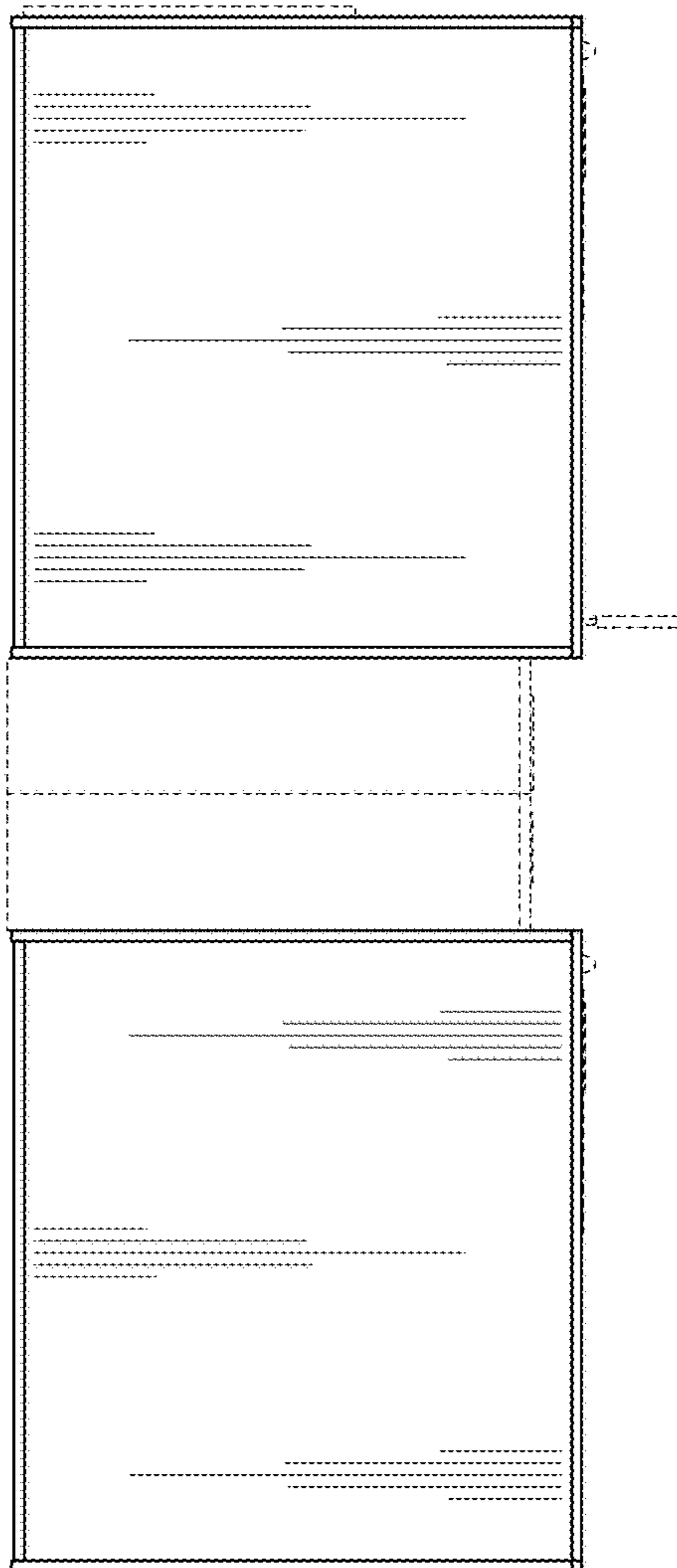


FIG. 13

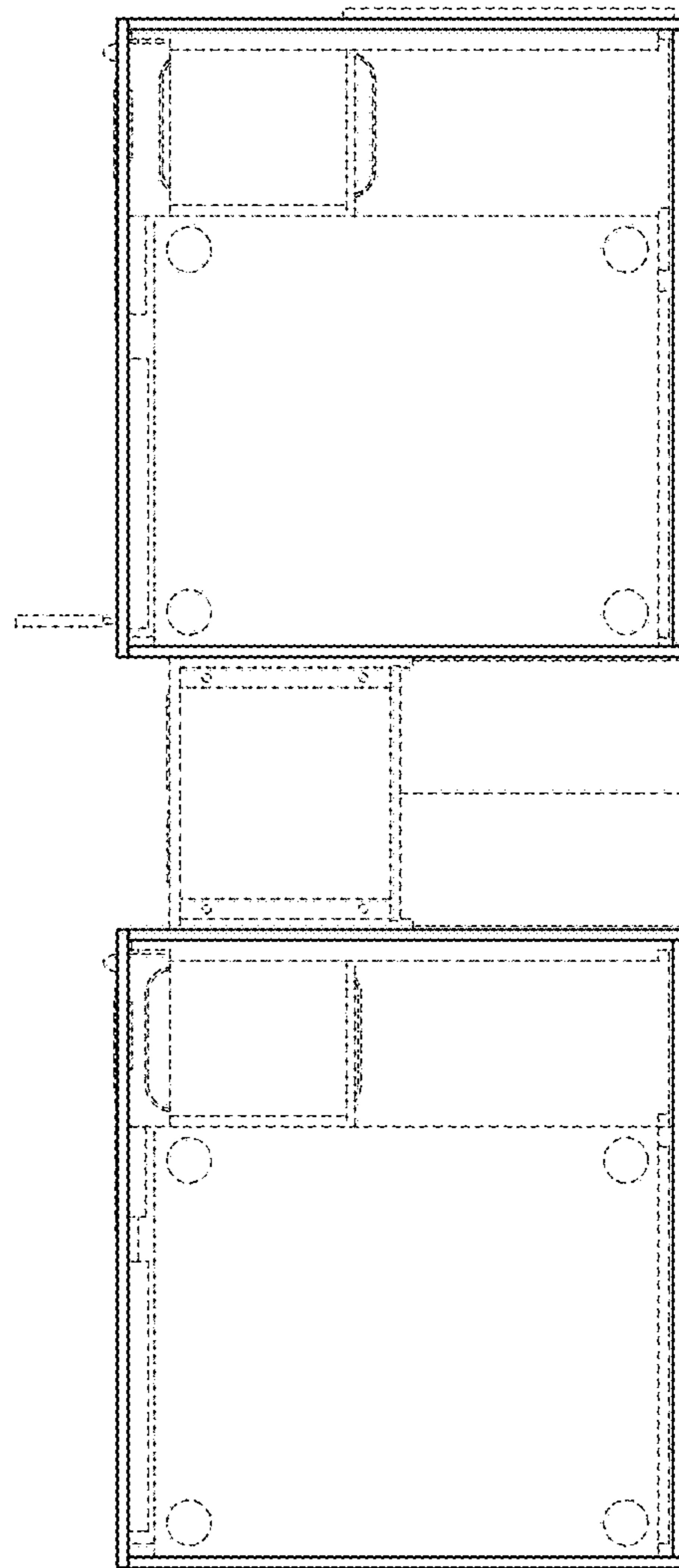


FIG. 14