

US00D869516S

(12) **United States Design Patent** (10) **Patent No.:** **US D869,516 S**
Saunders et al. (45) **Date of Patent:** **** Dec. 10, 2019**

(54) **SINGLE REFRIGERATION UNIT CABINET**
(71) Applicant: **ROMAINE EMPIRE, INC.**, Chicago, IL (US)
(72) Inventors: **Luke Saunders**, Chicago, IL (US); **Matteo Bologna**, Brooklyn, NY (US); **Andrea Brown**, Belmont, MA (US)
(73) Assignee: **ROMAINE EMPIRE, INC.**, Chicago, IL (US)
(**) Term: **15 Years**

(56) **References Cited**
U.S. PATENT DOCUMENTS
D73,776 S * 11/1927 Carrick D15/79
D178,493 S * 8/1956 Carvel D15/79
D344,962 S * 3/1994 Colman D15/79
D359,055 S * 6/1995 Drago D15/79
D368,916 S * 4/1996 Pawlowski D15/79
D377,179 S * 1/1997 Sundheim D15/79
D441,770 S * 5/2001 Bardin D15/81
D503,786 S * 4/2005 Otaki D15/79
D503,971 S * 4/2005 Otaki D15/79
D522,114 S * 5/2006 Otaki D15/79
(Continued)

(21) Appl. No.: **29/701,427**

Primary Examiner — Khawaja Anwar
(74) *Attorney, Agent, or Firm* — Marshall, Gerstein & Borun LLP

(22) Filed: **Aug. 12, 2019**

(57) **CLAIM**

The ornamental design for a single refrigeration unit cabinet, as shown and described.

Related U.S. Application Data

(63) Continuation of application No. 29/625,809, filed on Nov. 13, 2017, now Pat. No. Des. 863,377.

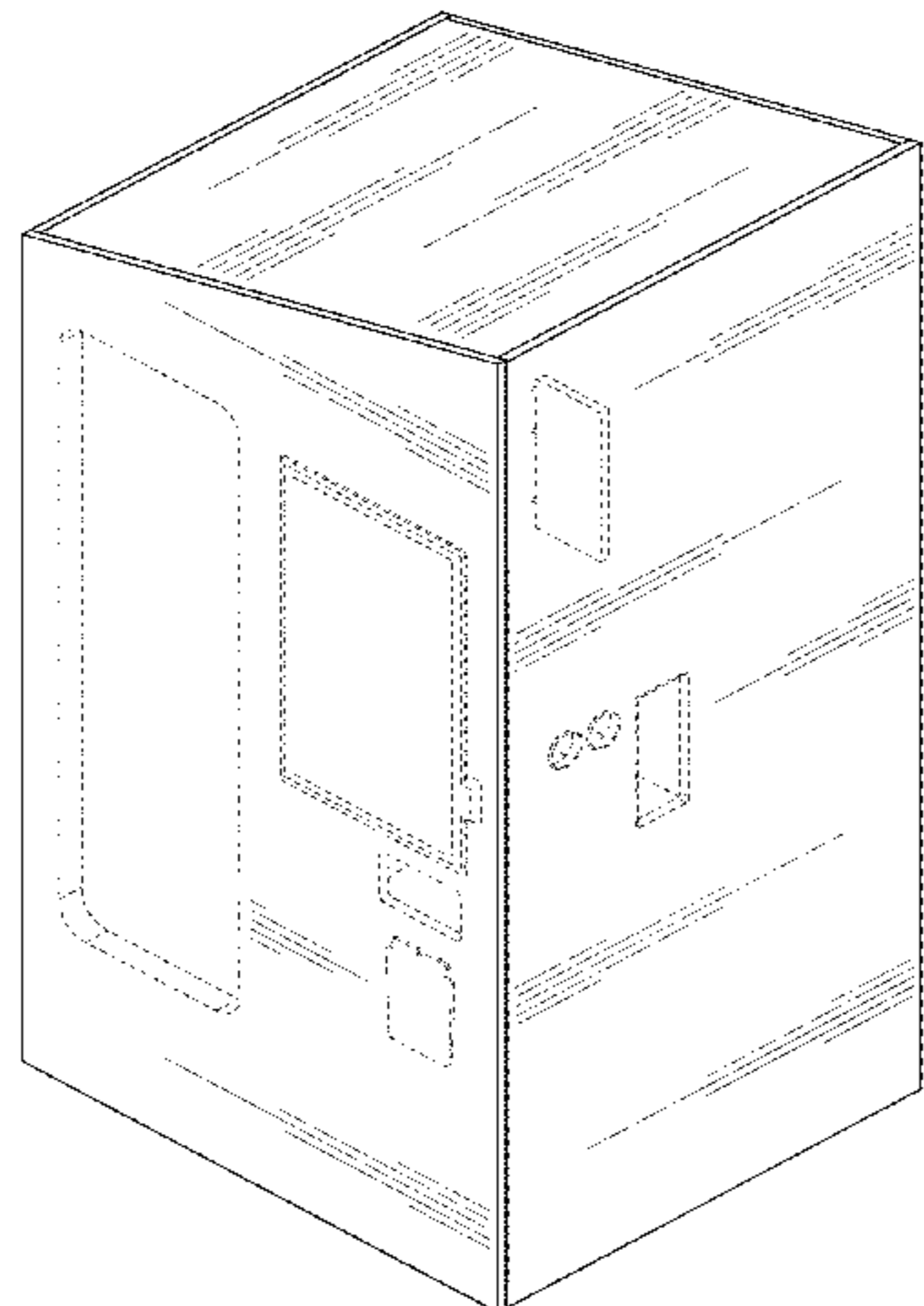
(51) **LOC (12) Cl.** **15-07**
(52) **U.S. Cl.**
USPC **D15/79**
(58) **Field of Classification Search**
USPC D15/79-91
CPC F25D 25/025; F25D 23/028; F25D 2323/024; F25D 23/00; F25D 23/02; F25D 2323/021; F25D 23/065; F25D 11/00; F25D 2201/14; F25D 23/021; F25D 23/025; F25D 23/04; F25D 27/00; F25D 23/062; F25D 23/067; F25D 2400/18; F25D 2317/04131; F25D 2317/043; F25D 2317/0651; F25D 2317/0664; F25D 2317/0681; F25D 2317/0683; F25D 2323/00264; F25D 2323/121; F25D 2323/122; F25D 2325/022; F25D 23/064

DESCRIPTION

FIG. 1 is an isometric view of a single refrigeration unit cabinet showing our new design;
FIG. 2 is a front view thereof;
FIG. 3 is a back view thereof;
FIG. 4 is a right view thereof;
FIG. 5 is a left view thereof;
FIG. 6 is a top view thereof;
FIG. 7 is a bottom view thereof;
FIG. 8 is an isometric view of a second single refrigeration unit cabinet showing our new design;
FIG. 9 is a front view thereof;
FIG. 10 is a back view thereof;
FIG. 11 is a right view thereof;
FIG. 12 is a left view thereof;
FIG. 13 is a top view thereof; and,
FIG. 14 is a bottom view thereof.

See application file for complete search history.

(Continued)



The broken lines in the drawings depict environment, or portions of the single refrigeration unit cabinet, that are not part of the claimed design.

1 Claim, 14 Drawing Sheets

(56)

References Cited

U.S. PATENT DOCUMENTS

D674,822 S *	1/2013	Ugumori	D15/79
D721,745 S *	1/2015	Davis	D15/81
D771,158 S *	11/2016	Jain	D15/81
D802,030 S *	11/2017	Thuma	D15/81

* cited by examiner

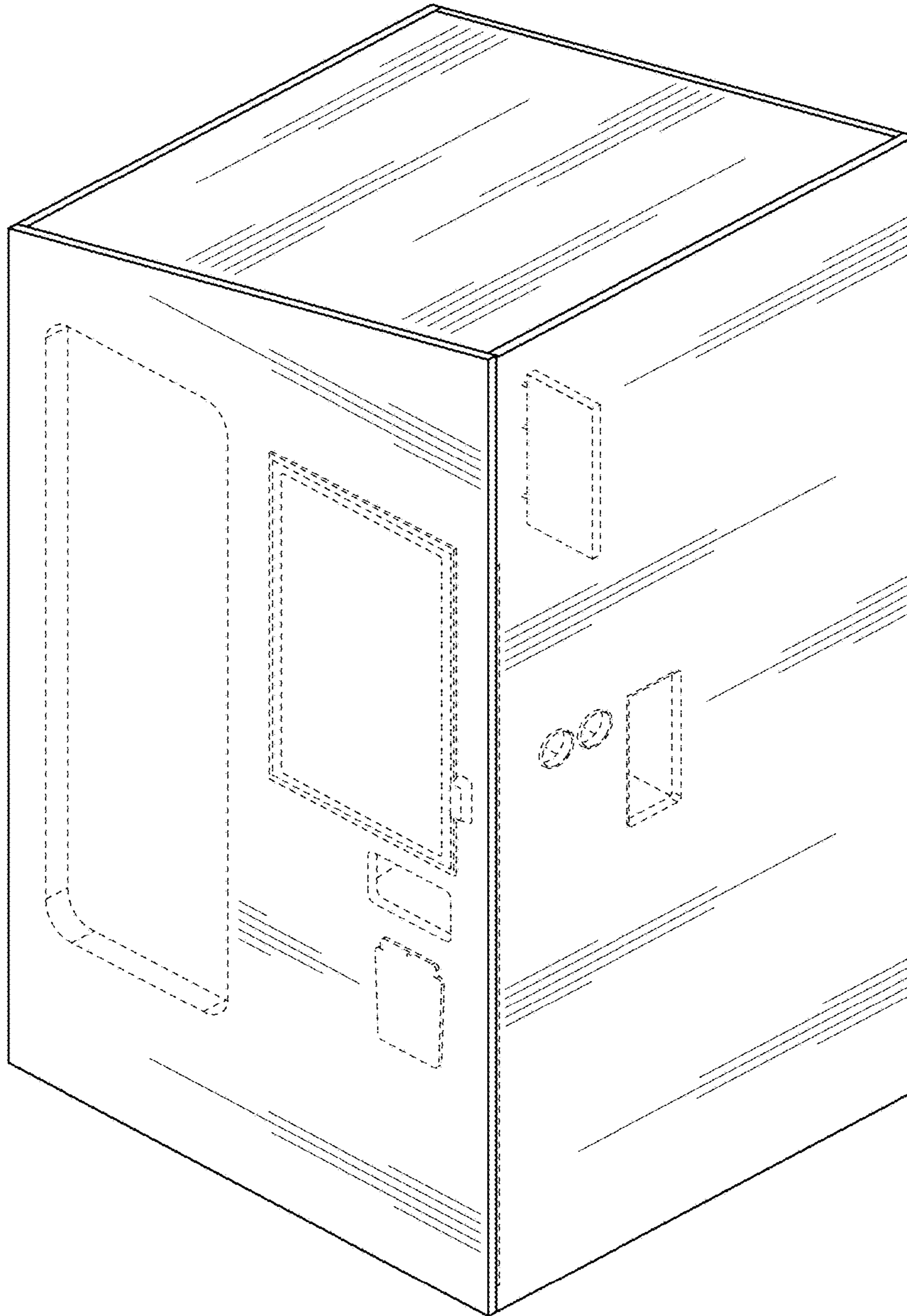


FIG. 1

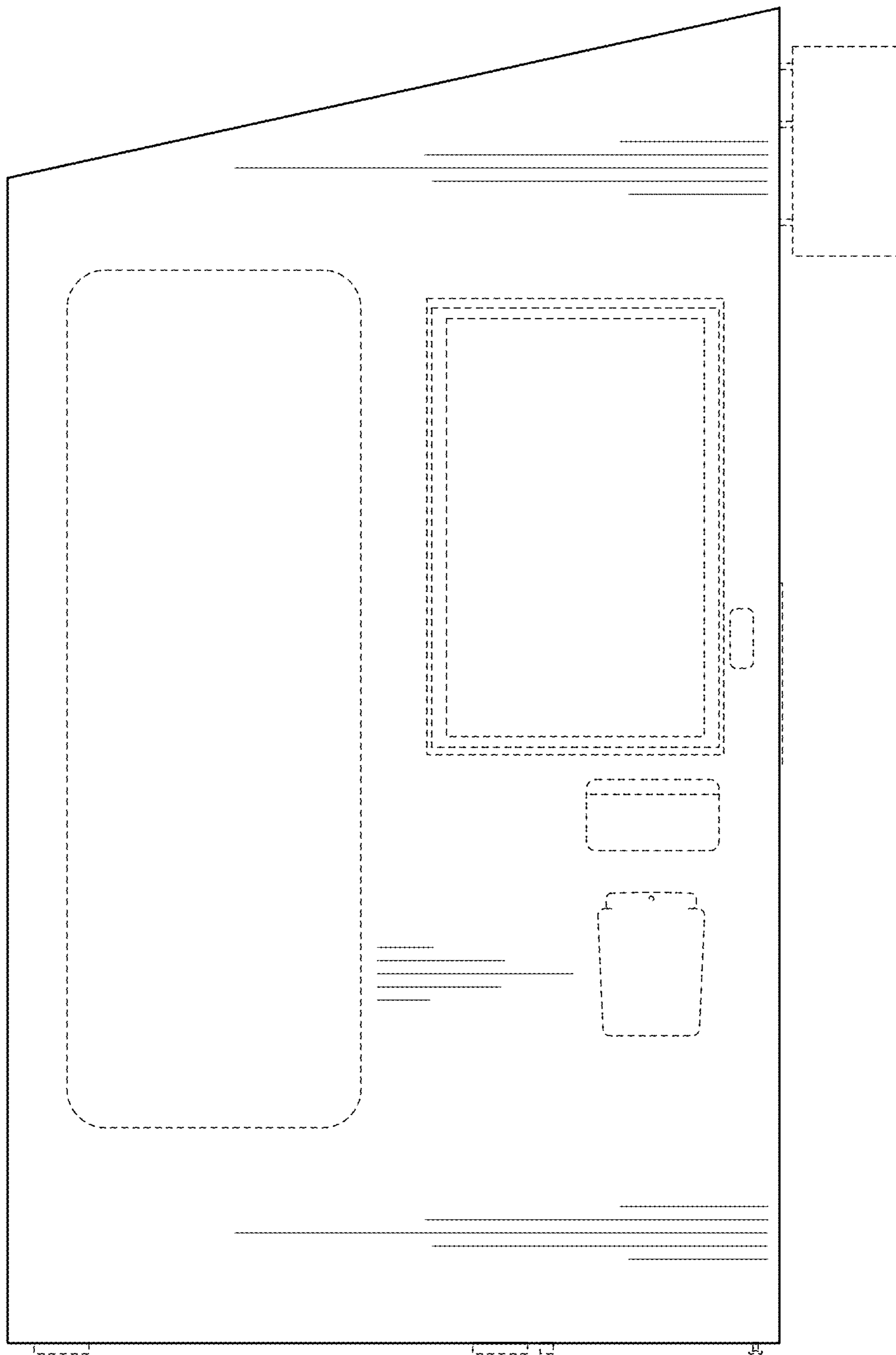


FIG. 2

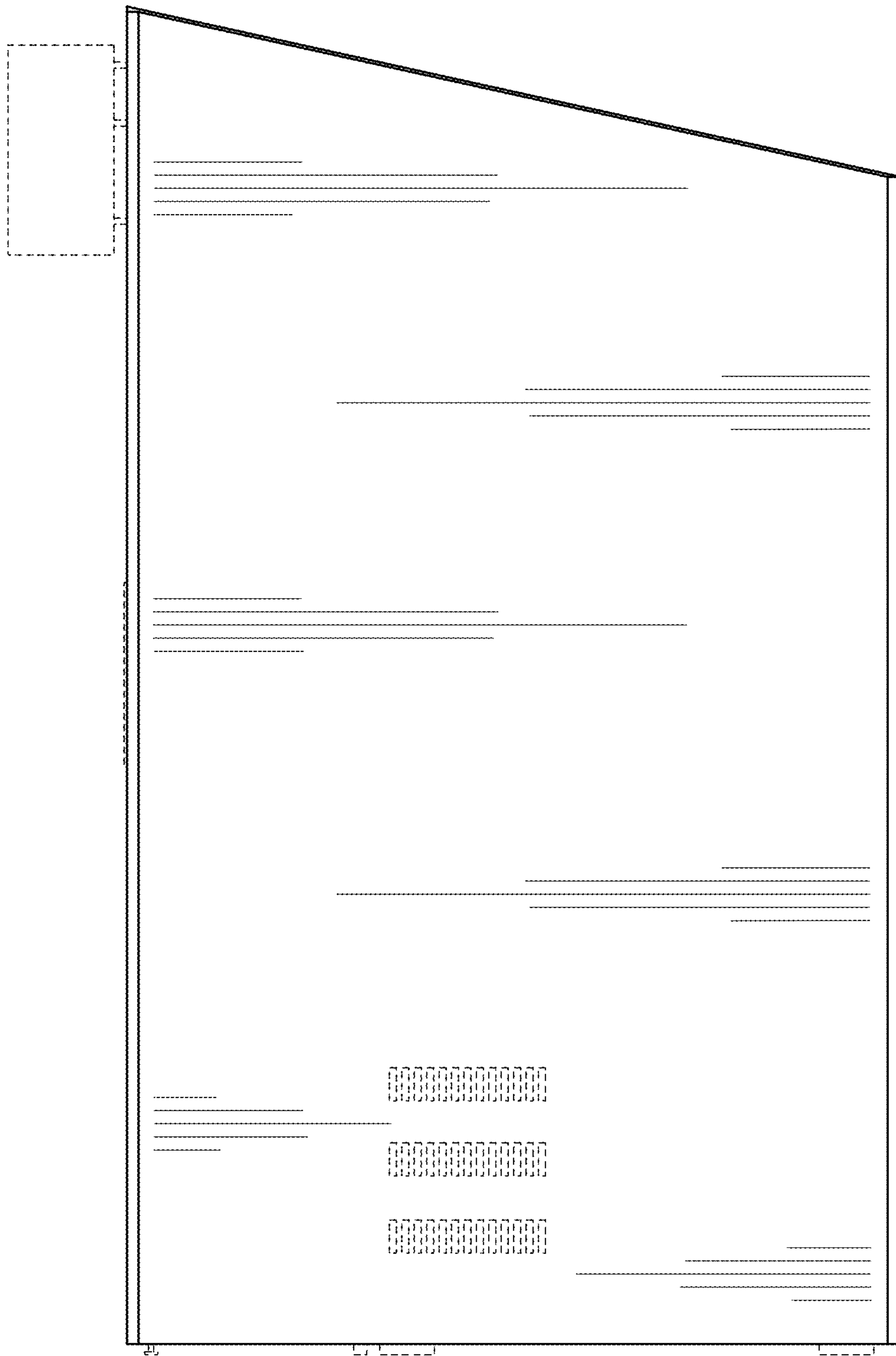


FIG. 3

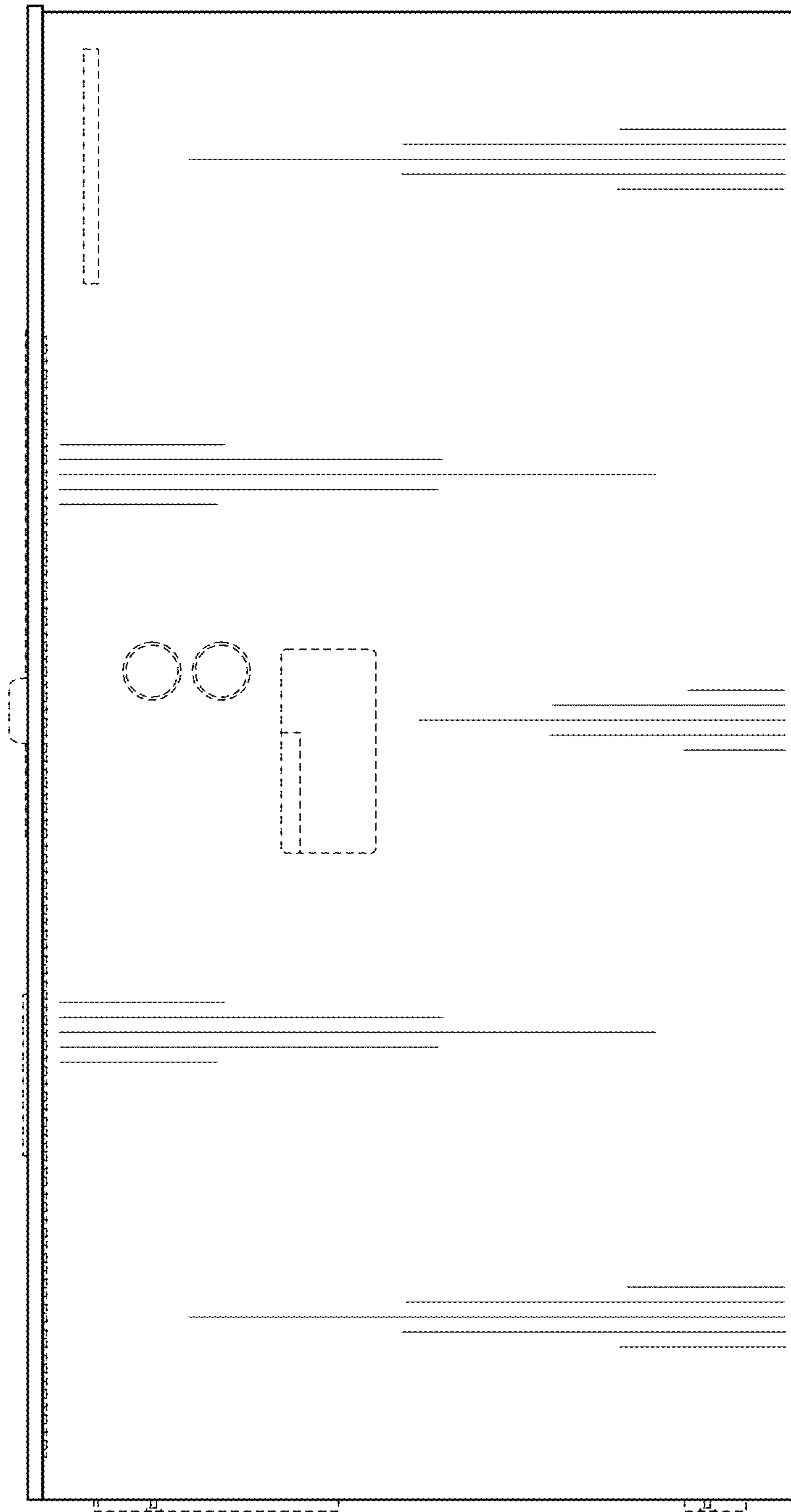


FIG. 4

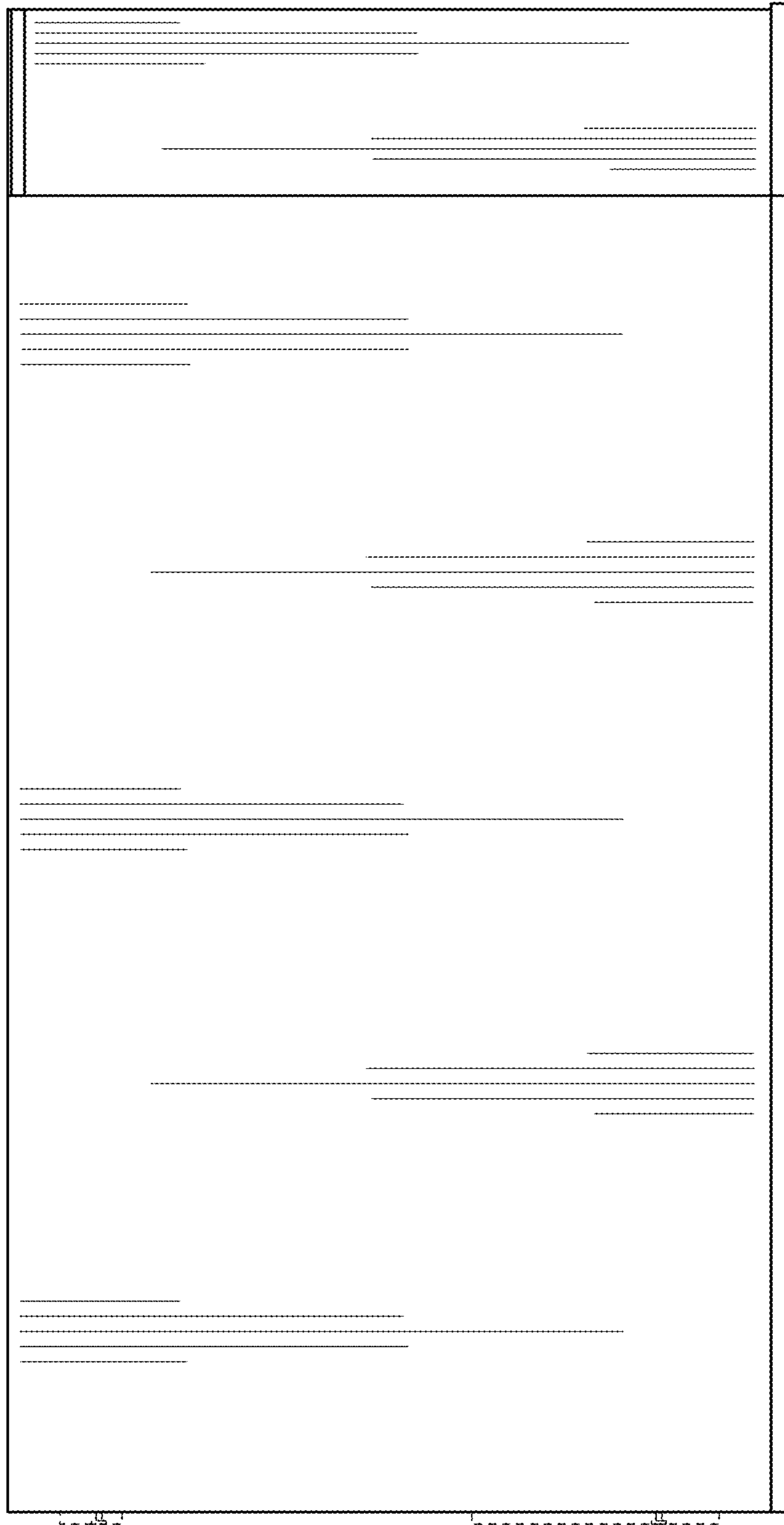


FIG. 5

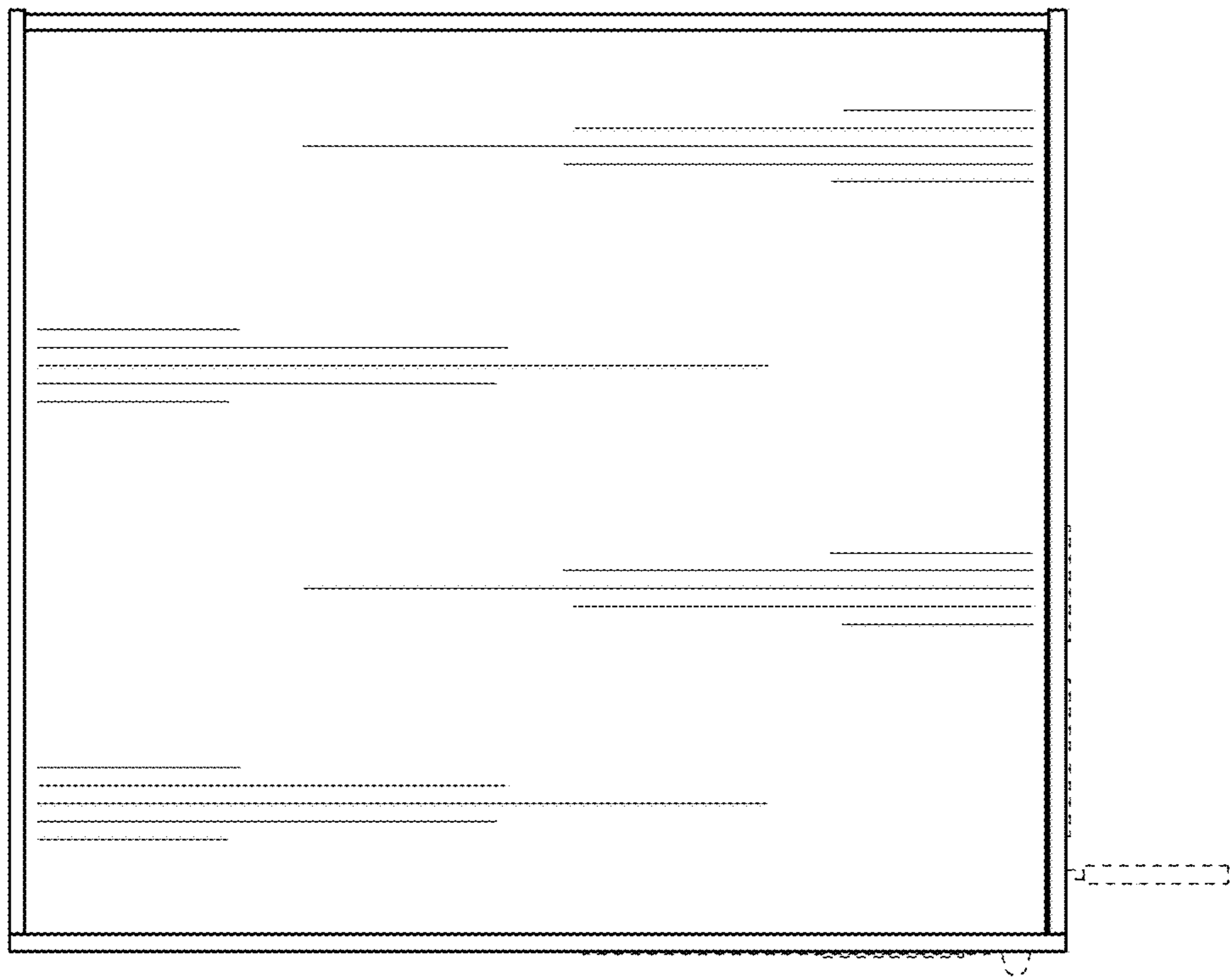


FIG. 6

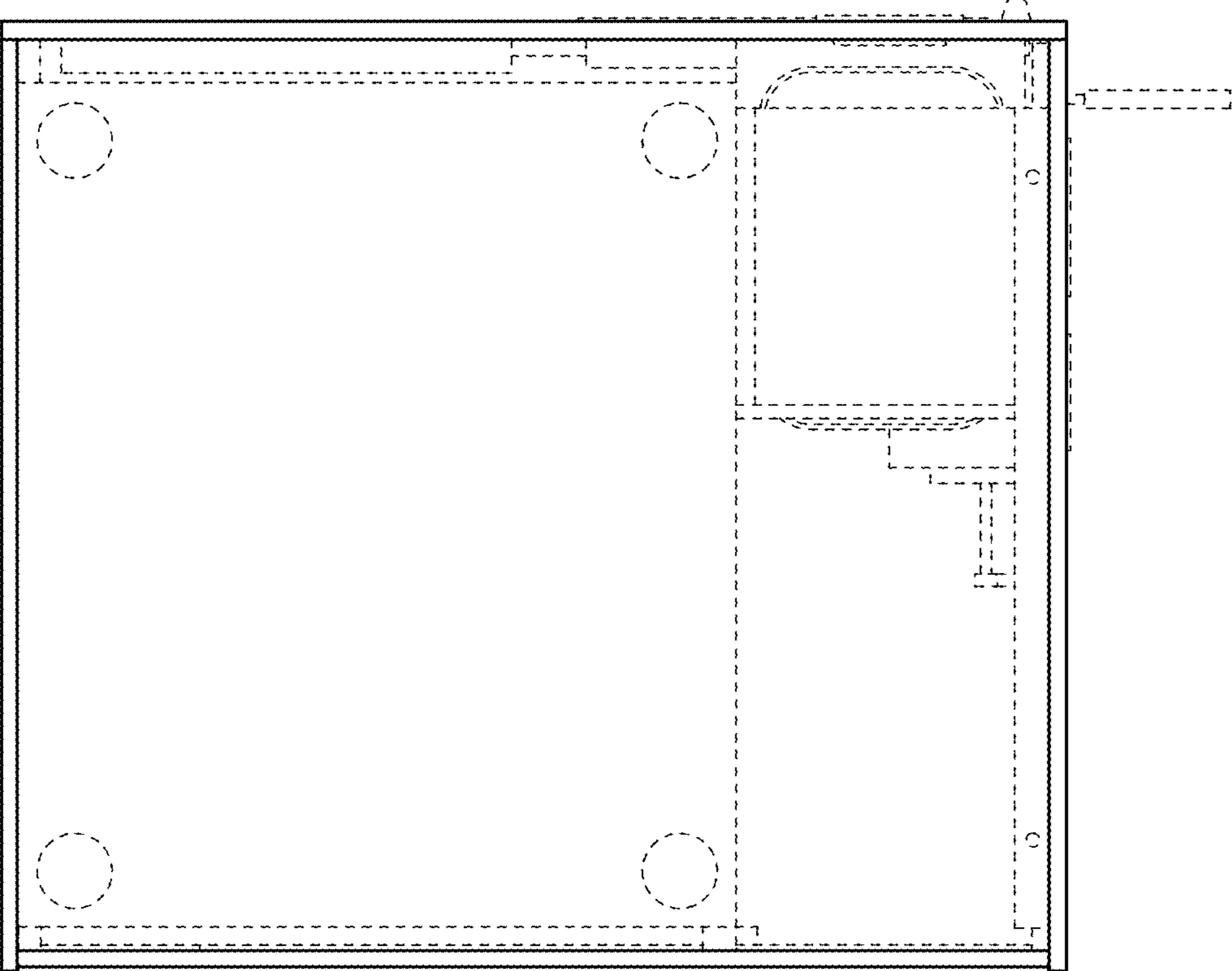


FIG. 7

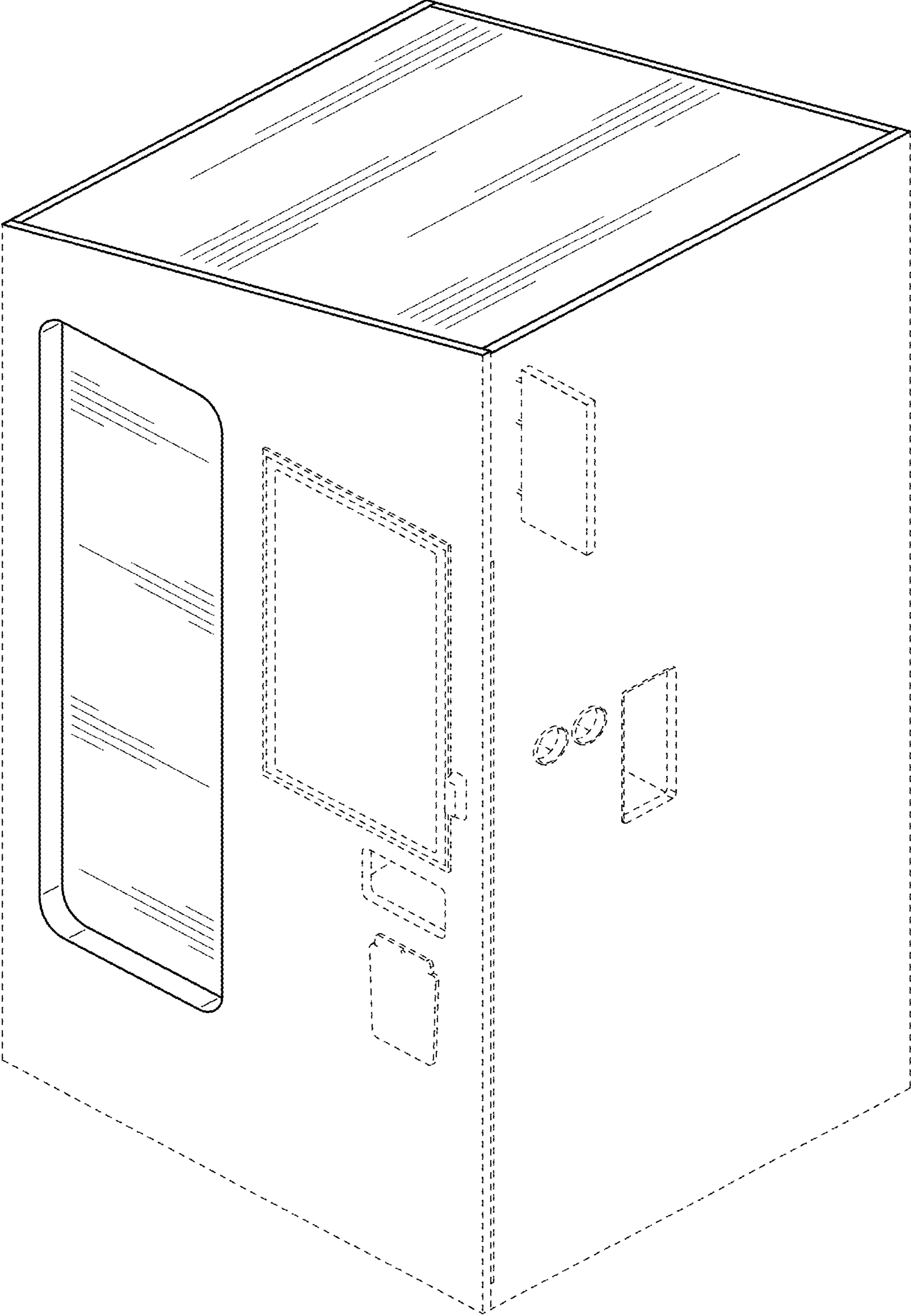


FIG. 8

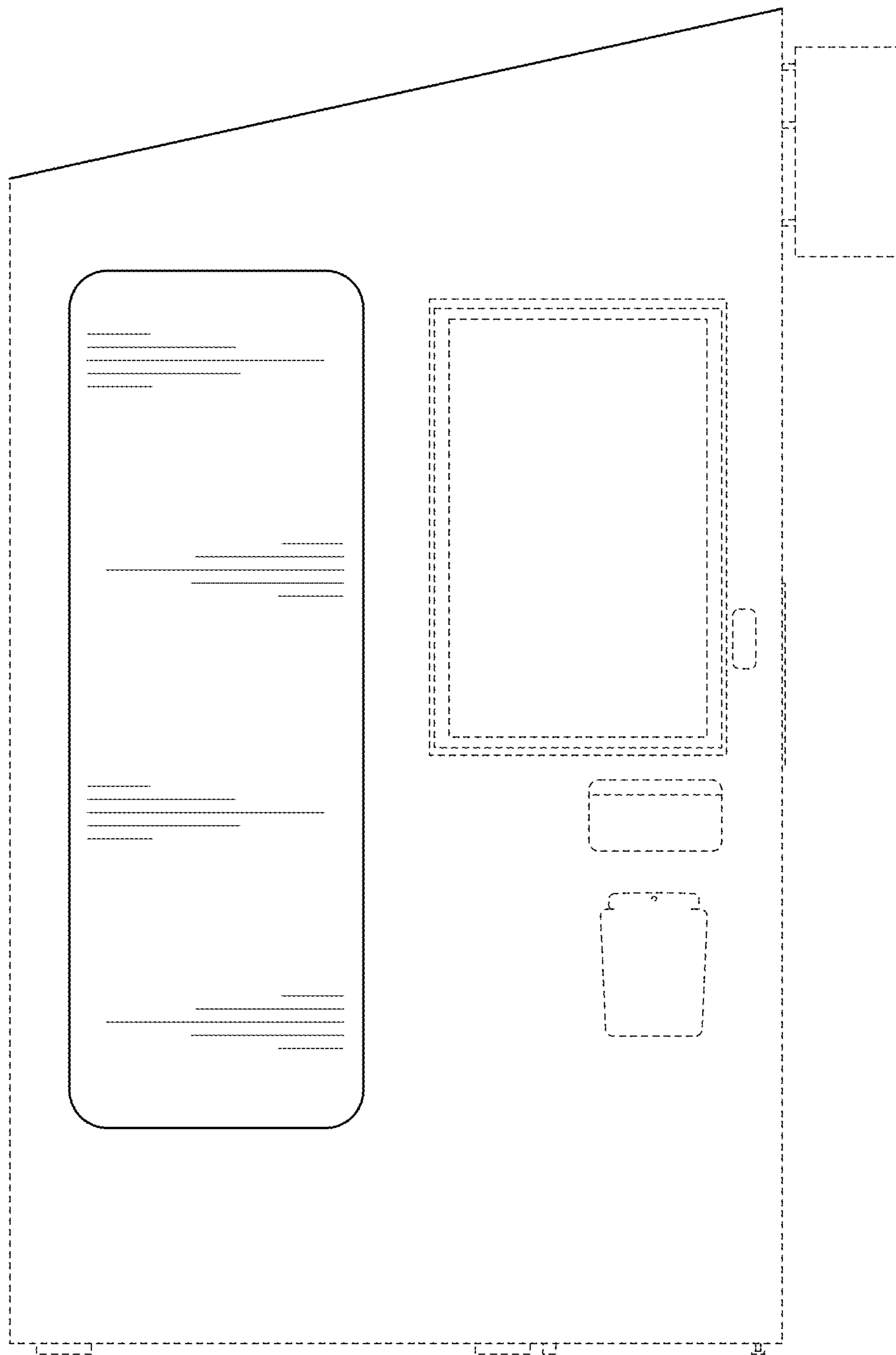


FIG. 9

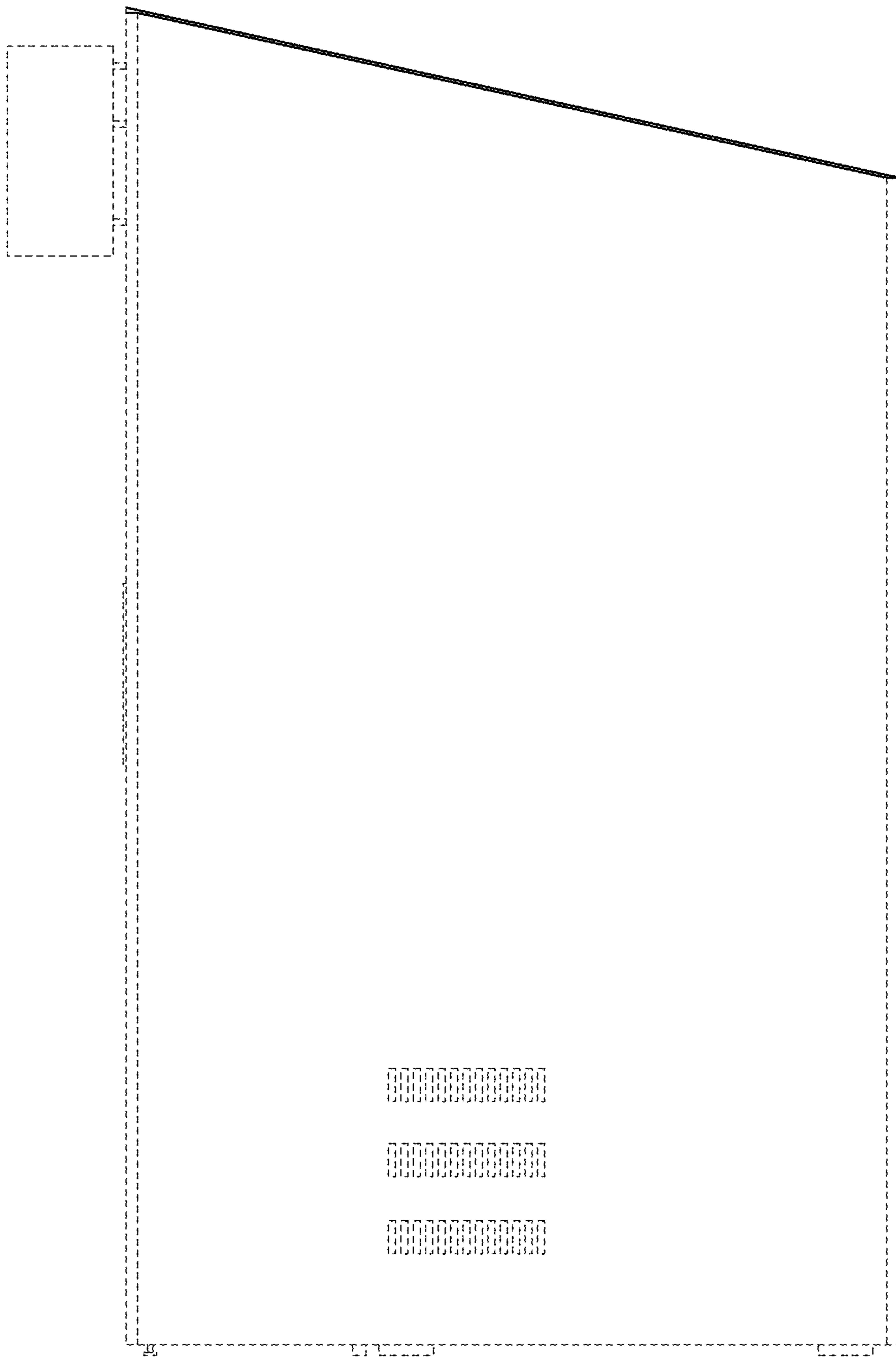


FIG. 10

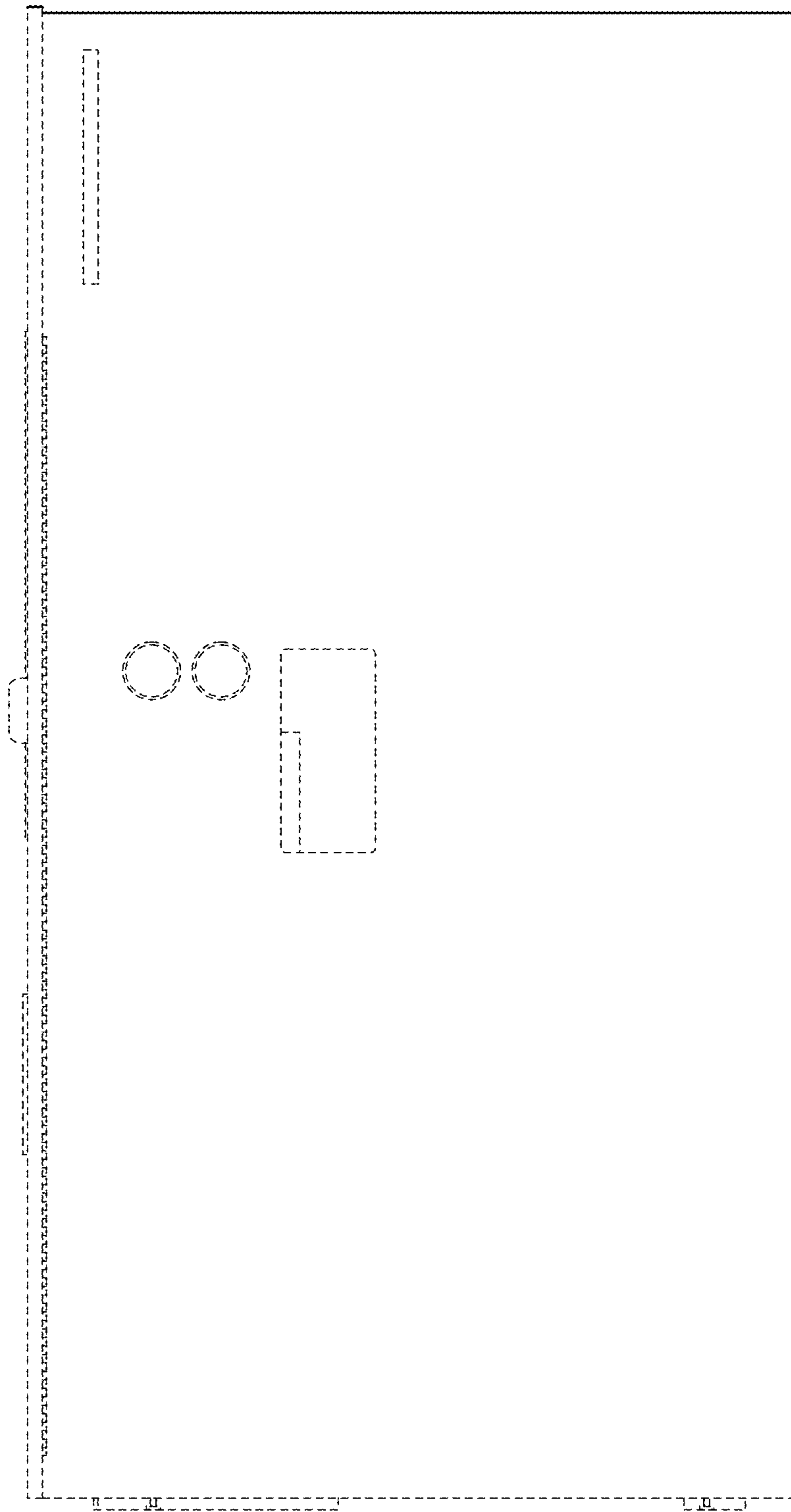


FIG. 11

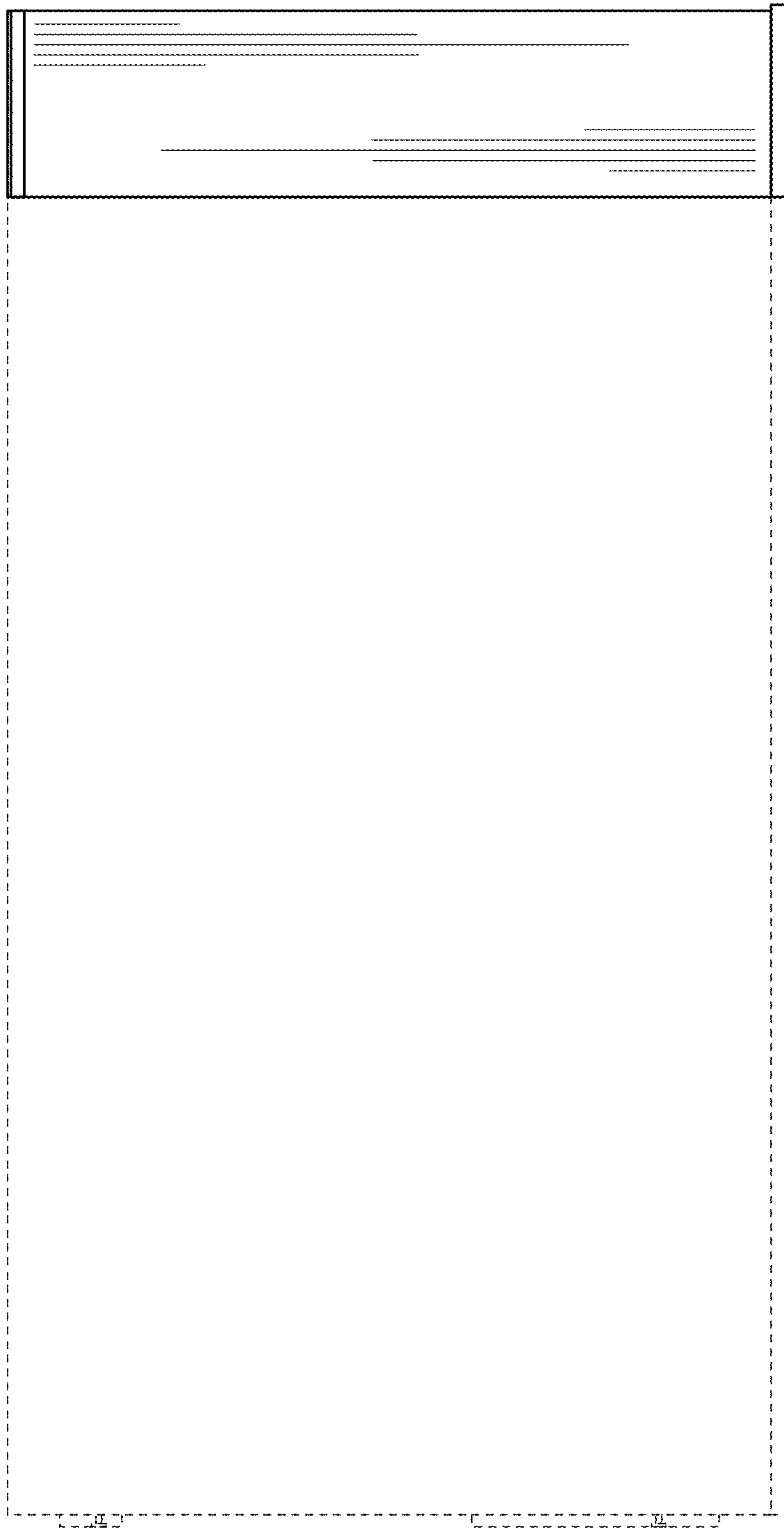


FIG. 12

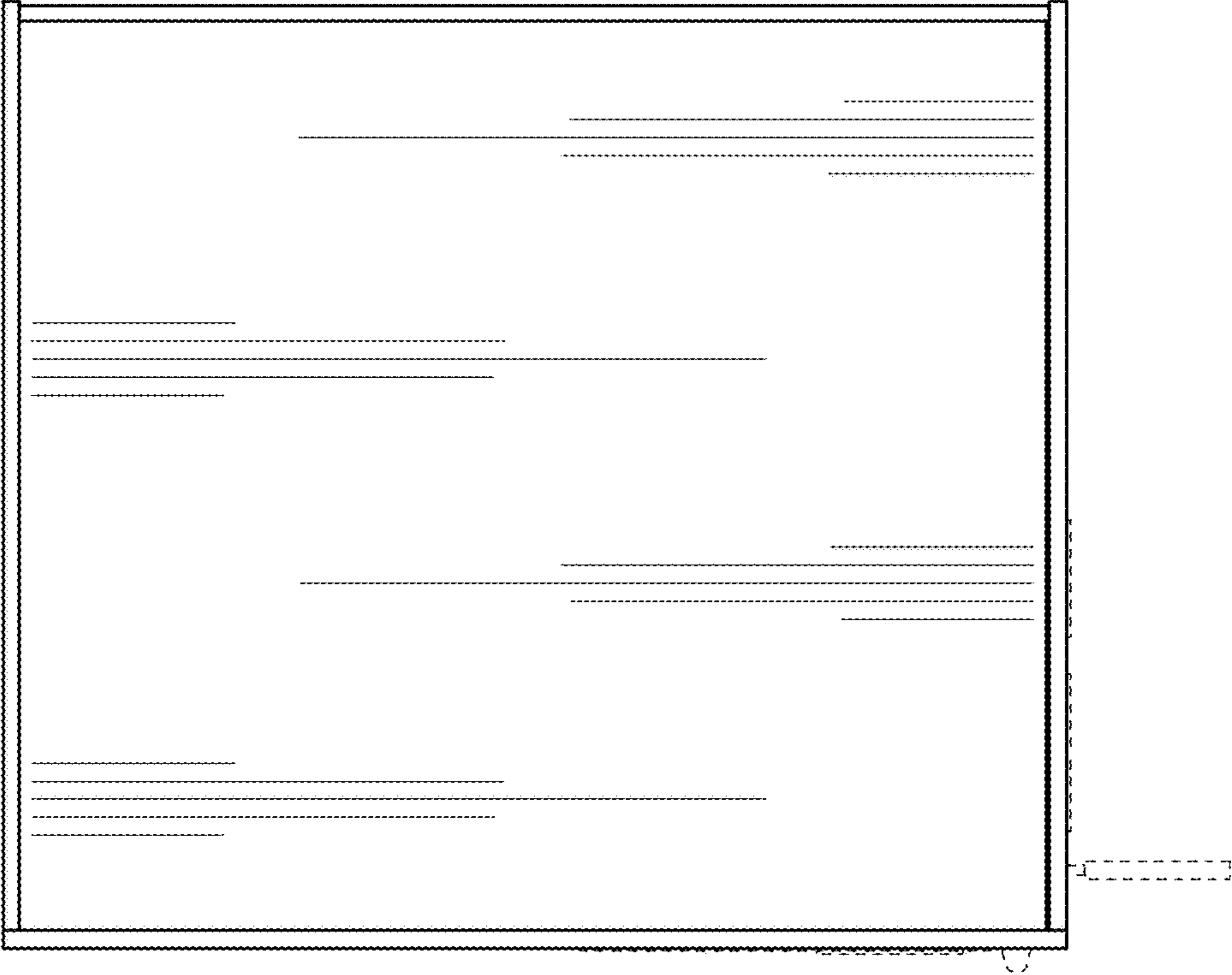


FIG. 13

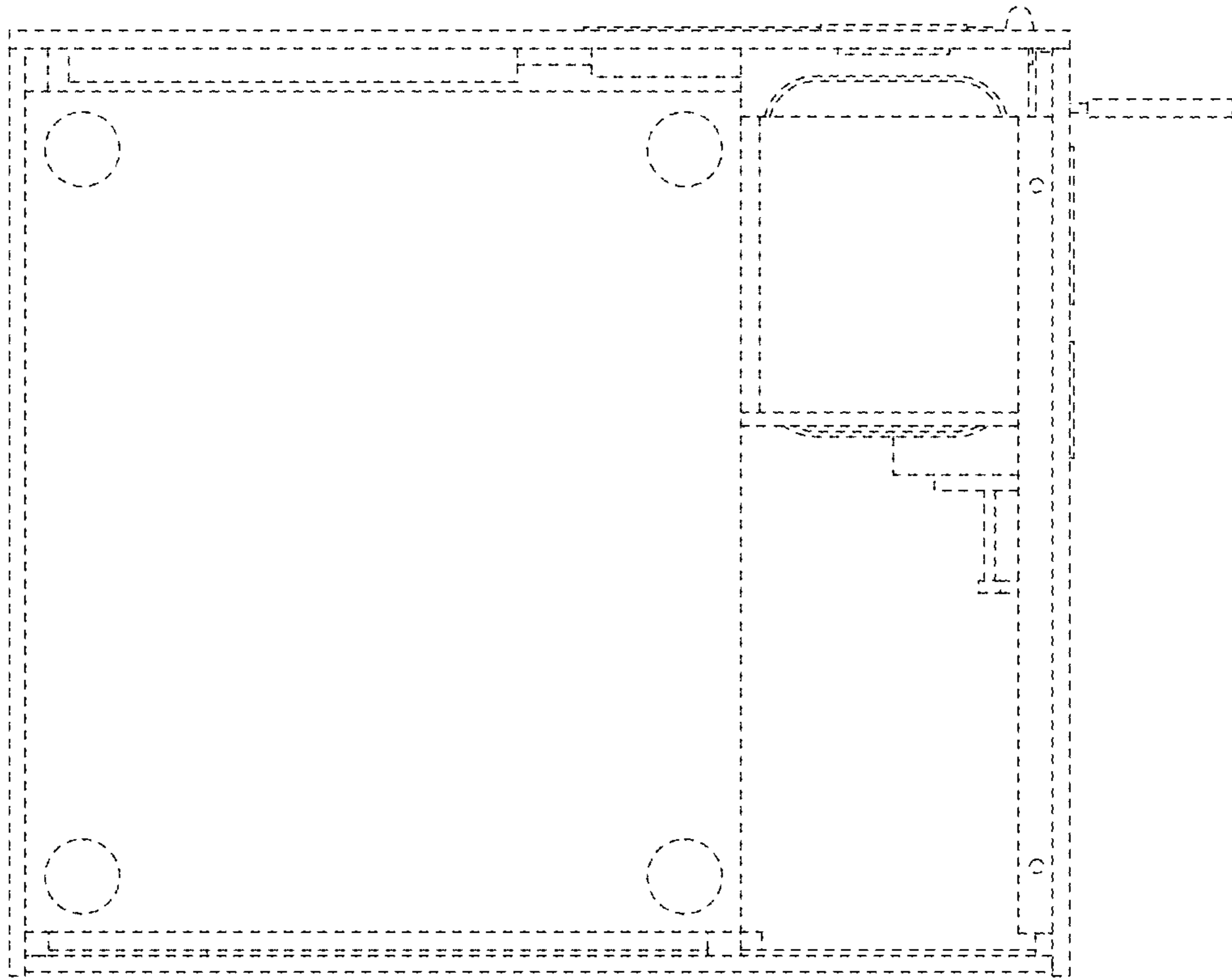


FIG. 14