



US00D869515S

(12) **United States Design Patent** (10) **Patent No.:** **US D869,515 S**  
**Yamamoto et al.** (45) **Date of Patent:** **\*\* Dec. 10, 2019**

(54) **BOBBIN WITH WOUND THREAD**  
(71) Applicant: **Asahi Kasei Kabushiki Kaisha**, Tokyo (JP)  
(72) Inventors: **Haruhiko Yamamoto**, Tokyo (JP); **Yoko Misaki**, Tokyo (JP)  
(73) Assignee: **Asahi Kasei Kabushiki Kaisha**, Tokyo (JP)  
(\*\*) Term: **15 Years**  
(21) Appl. No.: **29/635,425**  
(22) Filed: **Jan. 31, 2018**  
(30) **Foreign Application Priority Data**

Aug. 3, 2017 (WO) ..... DM/098158

(51) **LOC (12) Cl.** ..... **15-06**  
(52) **U.S. Cl.**

USPC ..... **D15/78**

(58) **Field of Classification Search**  
USPC ..... D15/66-78; D8/354-360.1; D3/20-26  
CPC ..... D02H 1/00; B65H 49/00; B65H 49/38;  
B65H 54/02; B65H 55/04; B65H 54/343;  
B65H 54/38; D02G 1/00  
See application file for complete search history.

(56) **References Cited**

**U.S. PATENT DOCUMENTS**

259,866 A \* 6/1882 Jones ..... A47F 13/04  
242/129.2  
629,018 A \* 7/1899 Streeter ..... 242/141  
D32,475 S \* 4/1900 Thompson ..... D8/360.1  
1,981,388 A \* 11/1934 Perry ..... A47F 13/045  
225/80  
1,984,571 A \* 12/1934 Epps ..... B65H 49/06  
242/129.8  
2,222,921 A \* 11/1940 van den Bergh ..... B65H 59/22  
242/137.1

3,672,598 A \* 6/1972 Saveth ..... B65H 75/18  
242/118.2  
3,680,302 A \* 8/1972 Hess ..... D02G 1/02  
57/288  
3,963,882 A \* 6/1976 Lewis ..... H01F 5/02  
29/605  
D242,745 S \* 12/1976 Langston, Jr. .... D15/78  
(Continued)

**OTHER PUBLICATIONS**

Office Action issued in related U.S. Appl. No. 29/635,439 dated Feb. 20, 2019.

*Primary Examiner* — Mitchell I. Siegel  
(74) *Attorney, Agent, or Firm* — Morgan, Lewis & Bockius LLP

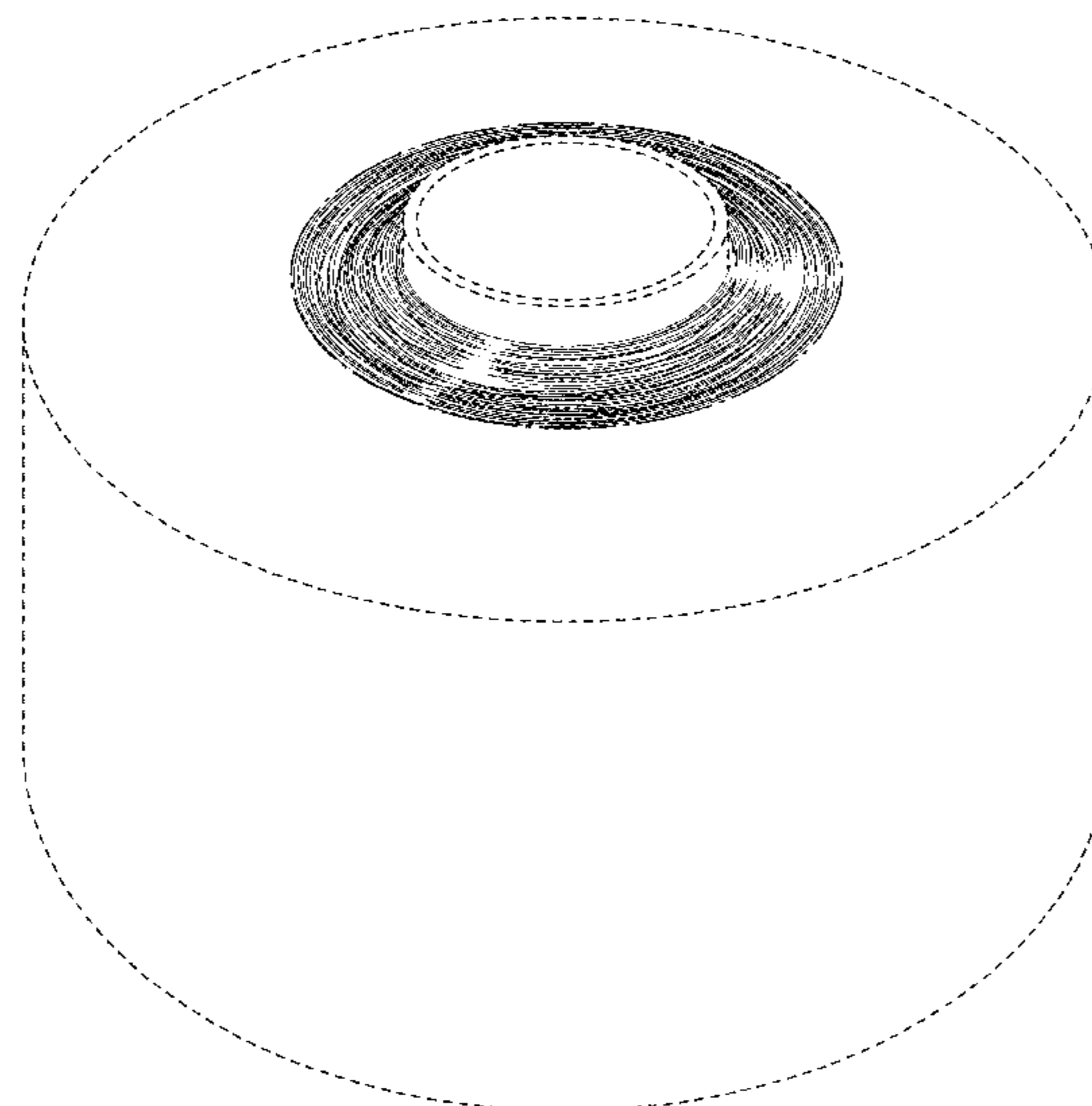
(57) **CLAIM**

The ornamental design for a bobbin with wound thread, as shown and described.

**DESCRIPTION**

FIG. 1 is a perspective view of a bobbin with wound thread showing our new design;  
FIG. 2 is an enlarged fragmented view taken from box 2 on FIG. 3.  
FIG. 3 is a front elevational view thereof;  
FIG. 4 is a top plan view thereof;  
FIG. 5 is a left side elevational view thereof;  
FIG. 6 is a rear elevational thereof; and,  
FIG. 7 is a bottom plan view thereof.  
The broken lines shown are included for the purpose of illustrating unclaimed subject matter and forms no part of the claimed design. The dash-dot lines are included as boundary lines and form no part of the claimed design. The dash-dot-dot lines of FIG. 3 are included to show and enlarged area and form no part of the claimed design.  
The characteristic feature of the design resides in the shape and configuration of the bobbin with wound thread shown in the solid lines in the drawings.

**1 Claim, 5 Drawing Sheets**



(56)

**References Cited**

U.S. PATENT DOCUMENTS

4,058,264 A \* 11/1977 Kawashima ..... B65H 54/34  
 242/165  
 D250,338 S \* 11/1978 LaPierre ..... D15/78  
 4,163,357 A \* 8/1979 Greive ..... D02G 3/285  
 242/131.1  
 4,180,967 A \* 1/1980 Greive ..... B65H 49/12  
 57/276  
 4,227,884 A \* 10/1980 Primm ..... B65H 55/04  
 242/485.9  
 4,392,340 A \* 7/1983 Horstmann ..... D01H 13/16  
 57/264  
 4,516,394 A \* 5/1985 Bell ..... B65H 55/00  
 242/175  
 4,569,191 A \* 2/1986 Gaudino ..... D01H 9/14  
 57/273  
 4,598,540 A \* 7/1986 Gaudino ..... D01H 9/16  
 242/473.9  
 4,666,094 A \* 5/1987 Rockerath ..... B65H 54/64  
 156/170  
 D292,643 S \* 11/1987 Dick ..... D15/78  
 5,531,392 A \* 7/1996 Weiner ..... B65H 57/12  
 112/163  
 5,613,643 A \* 3/1997 Weiner ..... B65H 57/12  
 112/163  
 D441,772 S \* 5/2001 Polzer ..... D15/138  
 7,438,010 B2 \* 10/2008 Lyman ..... B65H 49/08  
 112/302  
 D649,564 S \* 11/2011 Nishi ..... D15/72  
 D741,378 S \* 10/2015 Yokoyama ..... D15/72  
 9,416,466 B1 \* 8/2016 Weiner ..... D02H 1/00  
 9,887,025 B2 \* 2/2018 Driscoll ..... H01B 13/0278  
 D818,009 S \* 5/2018 Shen ..... D15/78  
 10,041,208 B1 \* 8/2018 Batekhin ..... D06Q 1/04

\* cited by examiner

FIG. 1

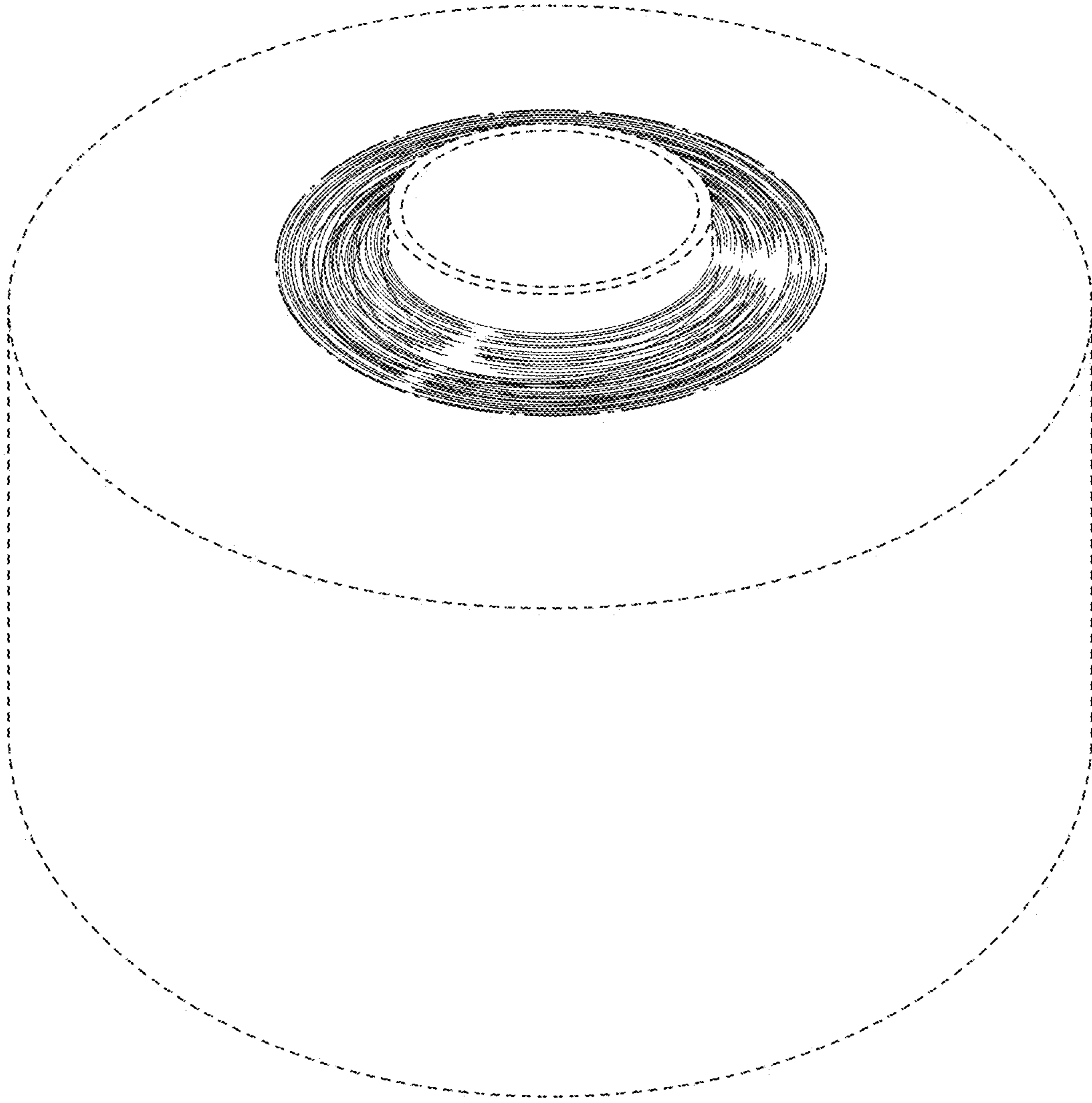


FIG. 2

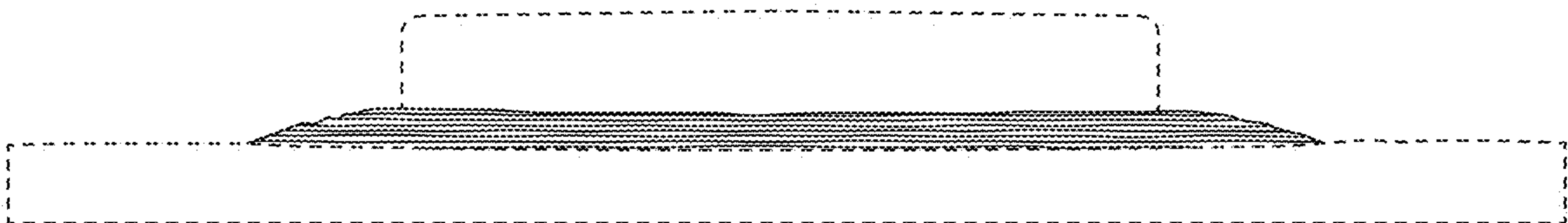


FIG. 3

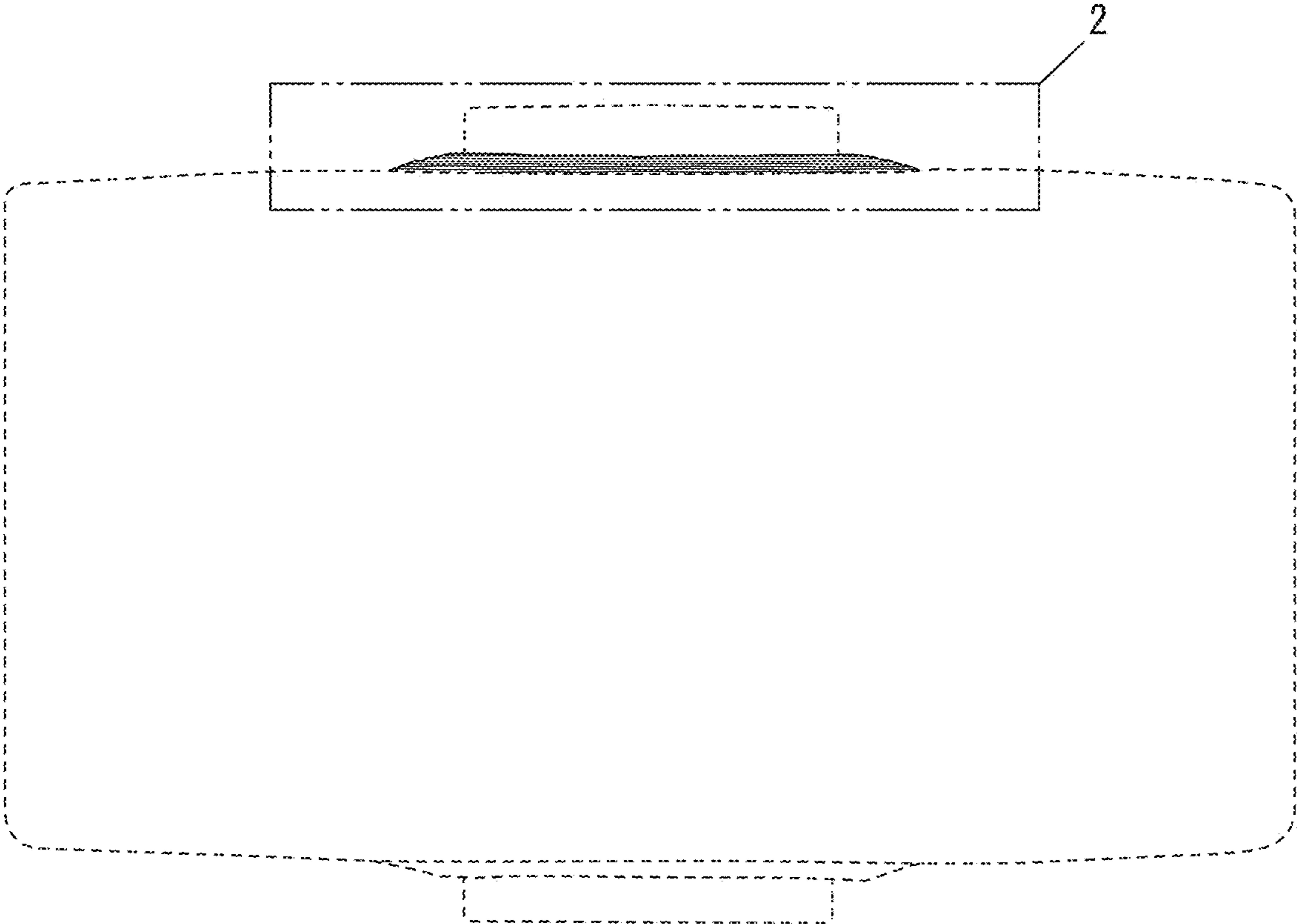




FIG. 4

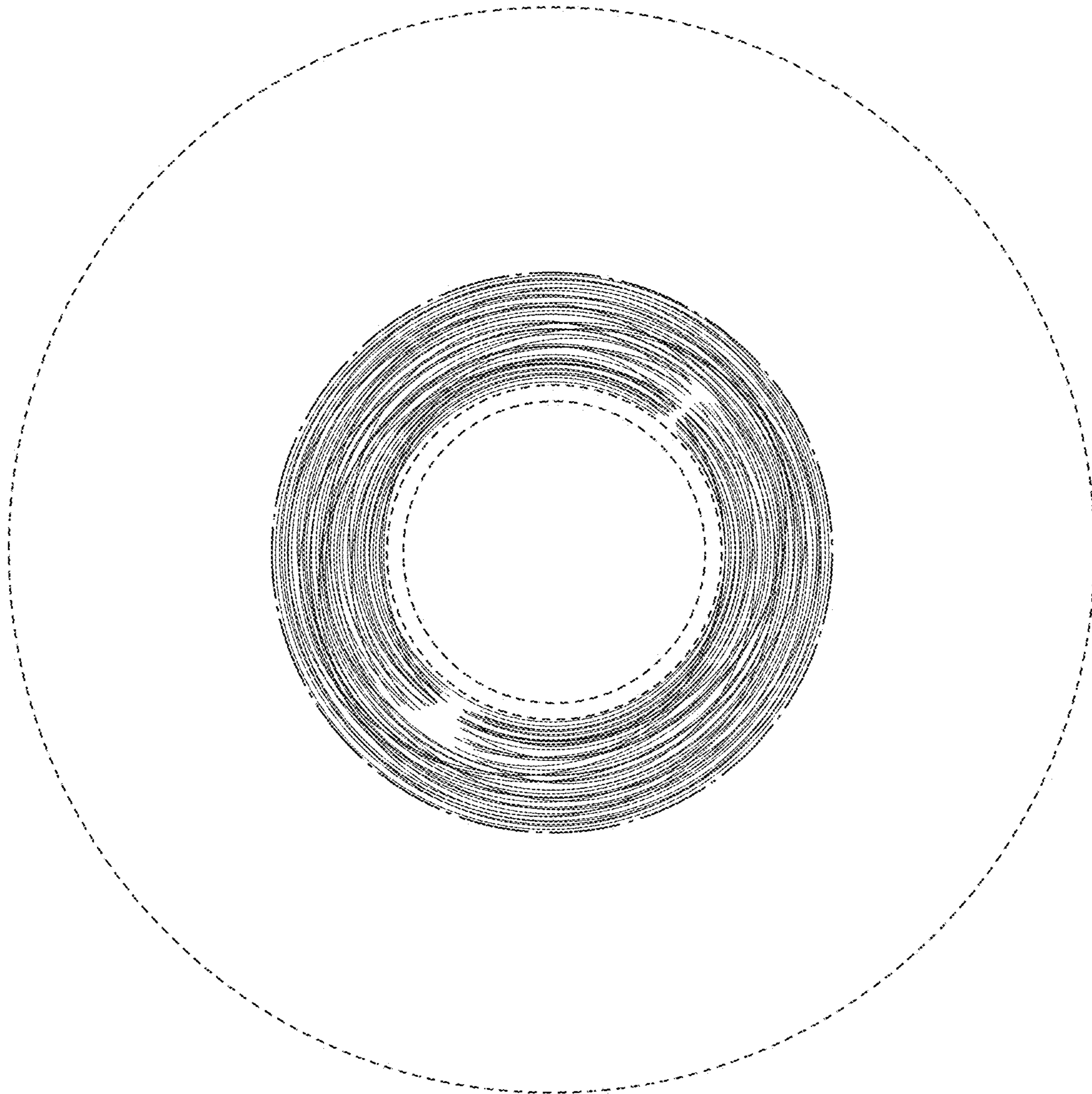


FIG. 5

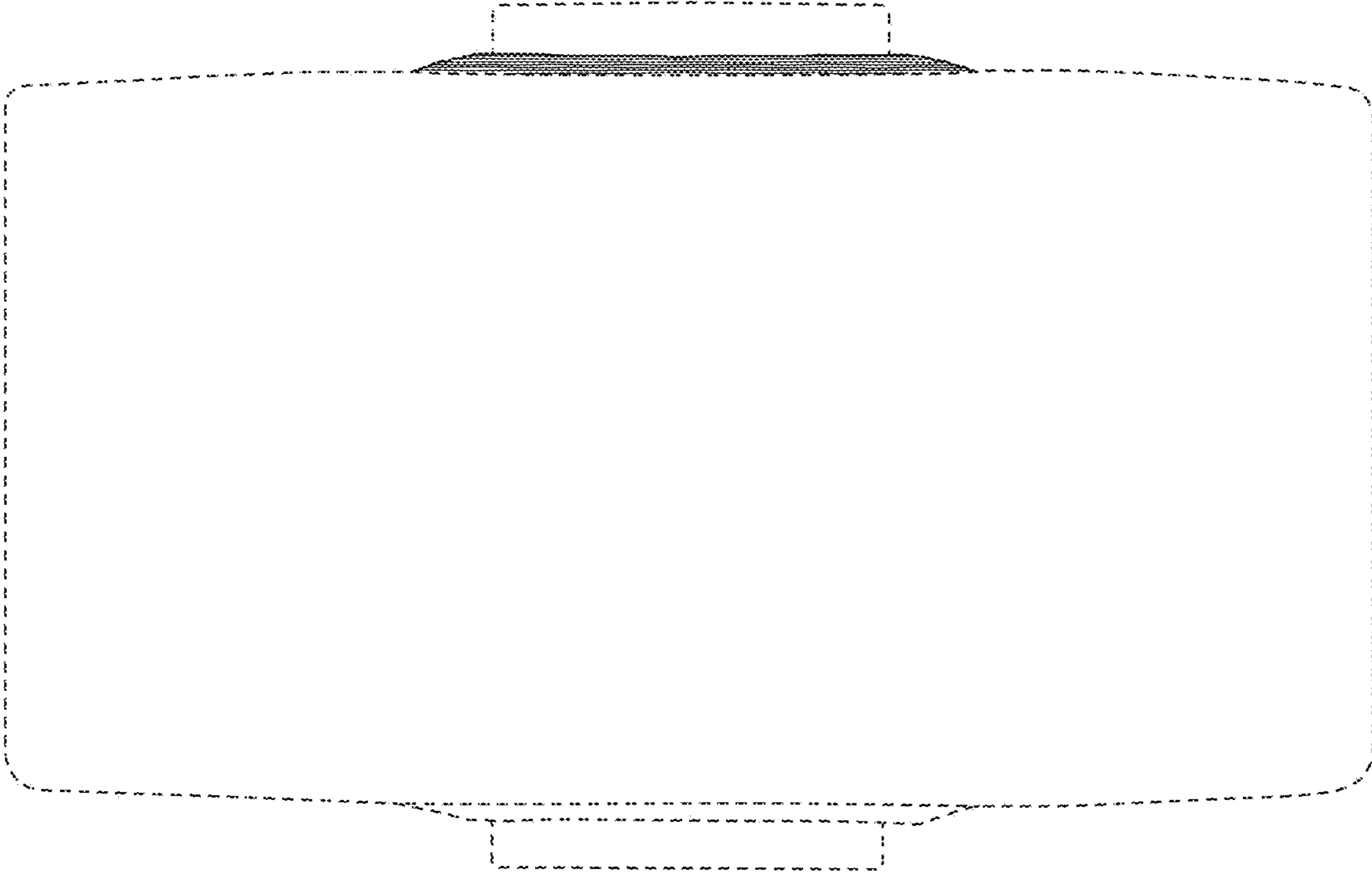


FIG. 6

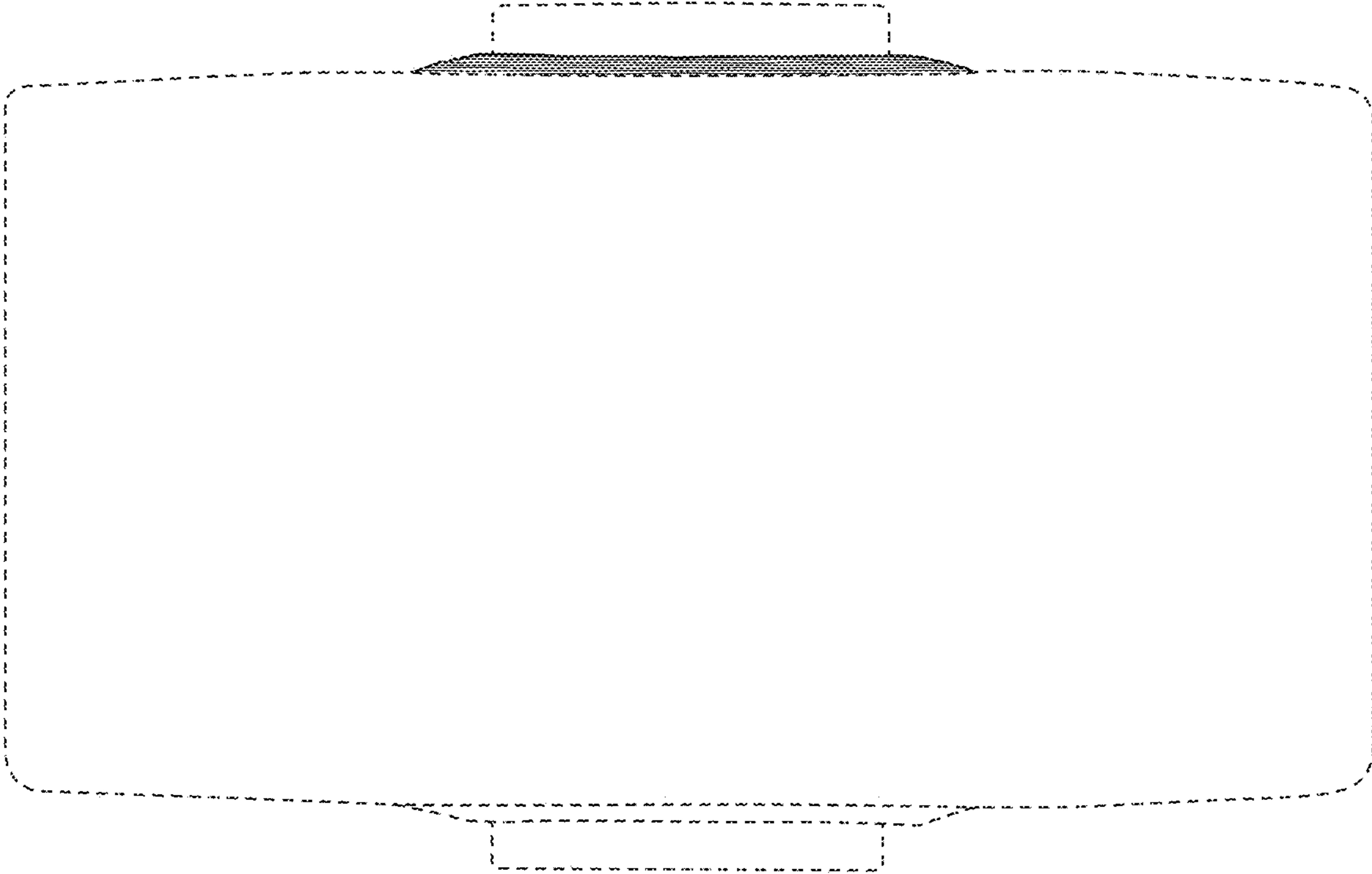


FIG. 7

