



US00D869514S

(12) **United States Design Patent** (10) **Patent No.:** **US D869,514 S**
Andersson (45) **Date of Patent:** **** Dec. 10, 2019**

(54) **ASPHALT PAVEMENT APPARATUS**

(71) Applicant: **CONNY ANDERSSON CA KONSULT, Bollebygd (SE)**

(72) Inventor: **Conny Andersson, Bollebygd (SE)**

(73) Assignee: **CONNY ANDERSSON CA KONSULT, Bollebygd (SE)**

(**) Term: **15 Years**

(21) Appl. No.: **35/504,718**

(22) Filed: **Feb. 27, 2018**

(80) **Hague Agreement Data**

Int. Filing Date: **Feb. 27, 2018**

Int. Reg. No.: **DM/100302**

Int. Reg. Date: **Feb. 27, 2018**

Int. Reg. Pub. Date: **Apr. 6, 2018**

(51) **LOC (12) Cl.** **15-09**

(52) **U.S. Cl.**
USPC **D15/19; D15/147**
CPC **B01F 7/10 (2013.01)**

(58) **Field of Classification Search**
USPC **D15/19, 123, 138, 147**
CPC **B01F 7/10; B01F 7/00133; B01F 15/0298;**
B01F 15/00032; B22C 5/0413
See application file for complete search history.

(56) **References Cited**

U.S. PATENT DOCUMENTS

- D354,289 S * 1/1995 Fortenberry D15/19
- D388,447 S * 12/1997 Otto D15/147
- D477,331 S * 7/2003 Tsai D15/19
- D534,551 S * 1/2007 Kushlan D15/19
- D583,398 S * 12/2008 Seiler D15/147
- D598,479 S * 8/2009 Seiler D15/147

- D632,308 S * 2/2011 Kopacz D15/19
- D638,860 S * 5/2011 Kopacz D15/19
- D643,858 S * 8/2011 Kopacz D15/19
- D652,432 S * 1/2012 Kopacz D15/19
- D662,117 S * 6/2012 Dorbath D15/147
- D668,688 S * 10/2012 Kennard D15/19
- D672,789 S * 12/2012 Bongiovanni D15/19
- D672,790 S * 12/2012 Kopacz D15/19
- D673,981 S * 1/2013 Kopacz D15/19
- D700,633 S * 3/2014 Giles D15/19
- D726,770 S * 4/2015 Winiger D15/19
- D742,428 S * 11/2015 Barry D15/28
- D760,807 S * 7/2016 Sutton D15/10
- D768,740 S * 10/2016 Akerstrom D15/122
- D816,739 S * 5/2018 Hansen D15/122

* cited by examiner

Primary Examiner — Richard E Chilcot
(74) *Attorney, Agent, or Firm* — Johnson, Marcou & Isaacs, LLC

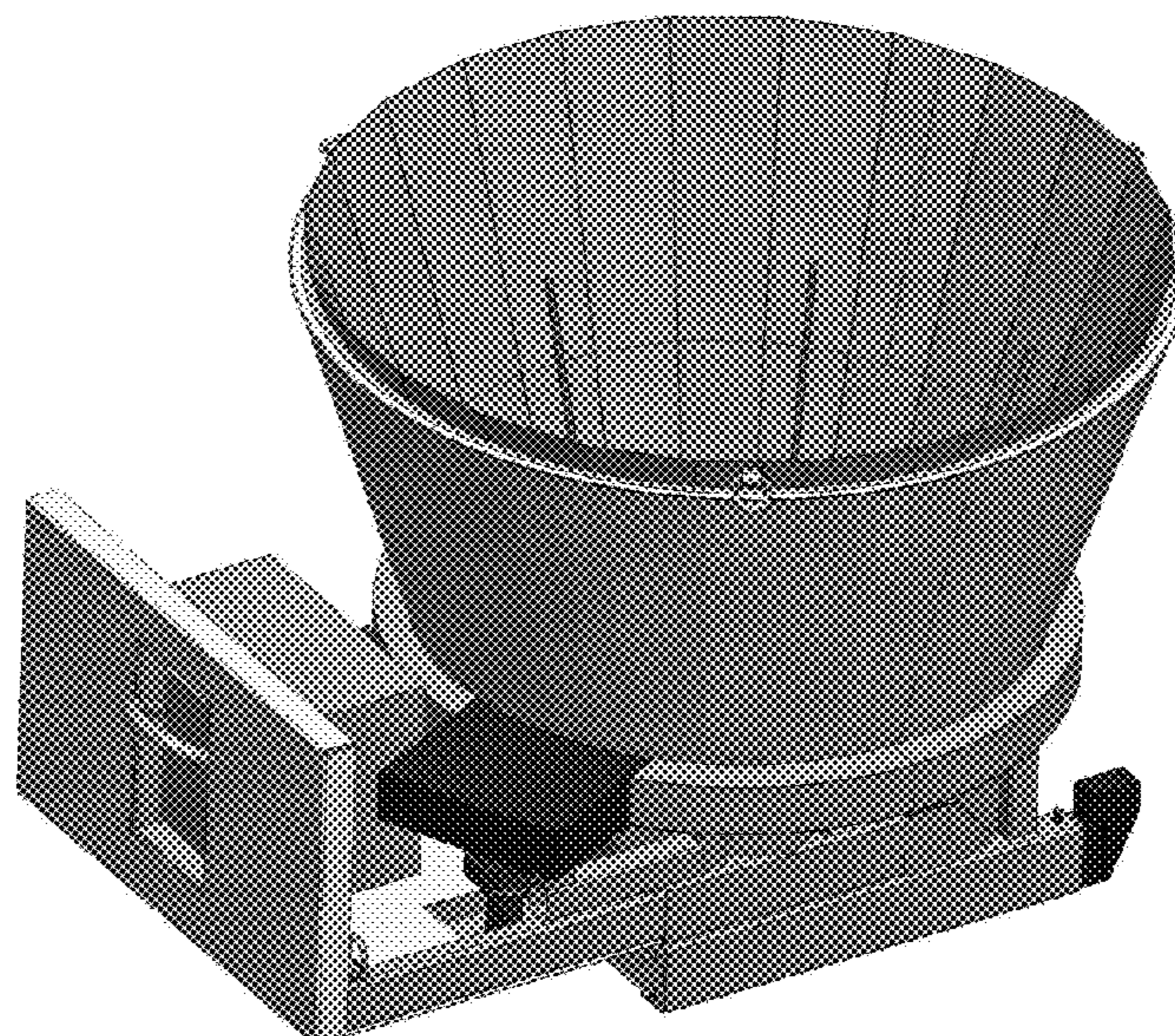
(57) **CLAIM**

The ornamental design for an asphalt pavement apparatus, as shown and described.

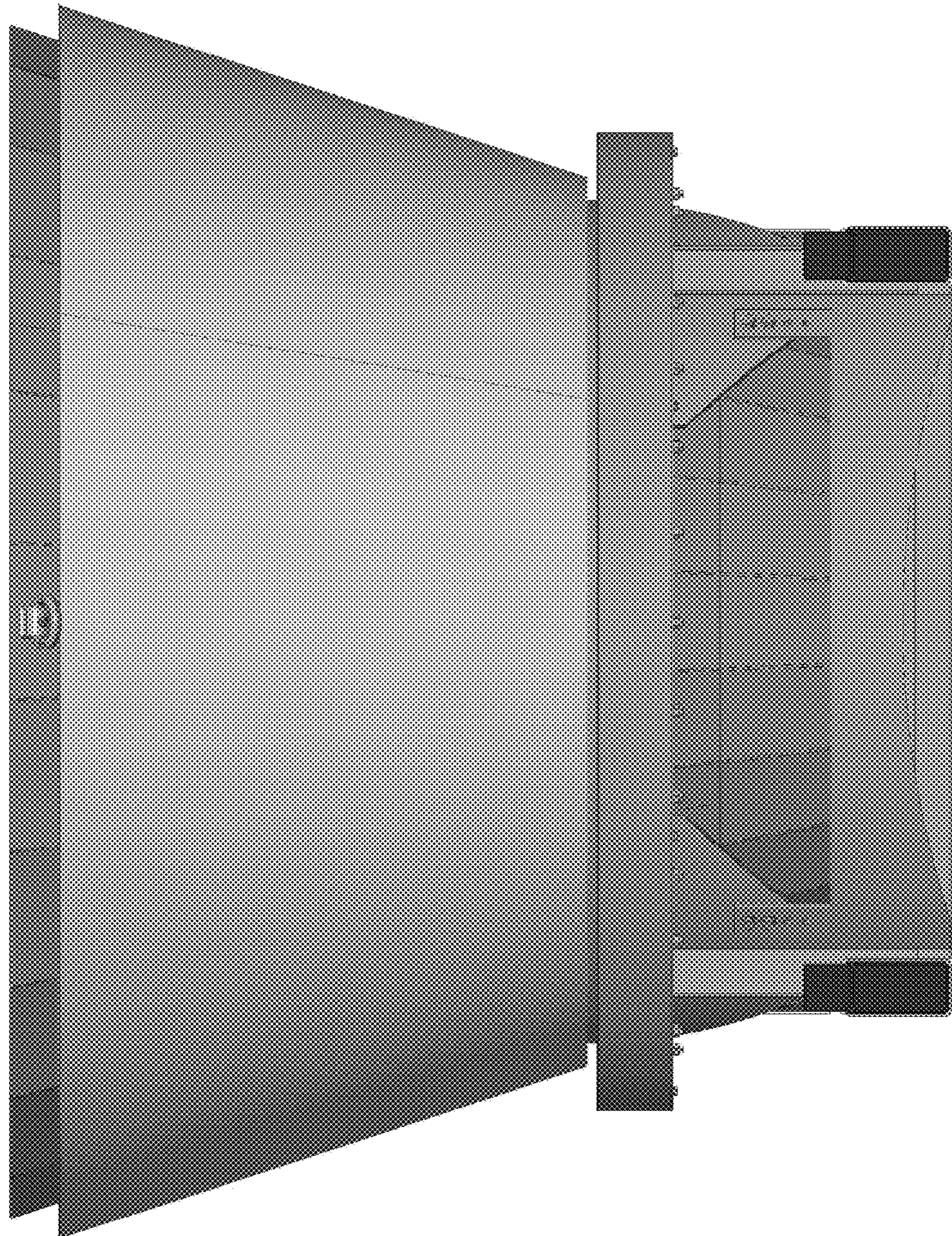
DESCRIPTION

- 1. Asphalt pavement apparatus
- 1.1 : Back view of the asphalt pavement apparatus;
- 1.2 : Perspective view of the asphalt pavement apparatus;
- 1.3 : Perspective view of the asphalt pavement apparatus;
- 1.4 : Front view of the asphalt pavement apparatus;
- 1.5 : Perspective view of the asphalt pavement apparatus;
- 1.6 : Bottom view of the asphalt pavement apparatus;
- 1.7 : Left view of the asphalt pavement apparatus;
- 1.8 : Perspective view of the asphalt pavement apparatus;
- 1.9 : Right view of the asphalt pavement apparatus;
- 1.10 : Perspective view of the asphalt pavement apparatus; and
- 1.11 : Top view of the asphalt pavement apparatus.

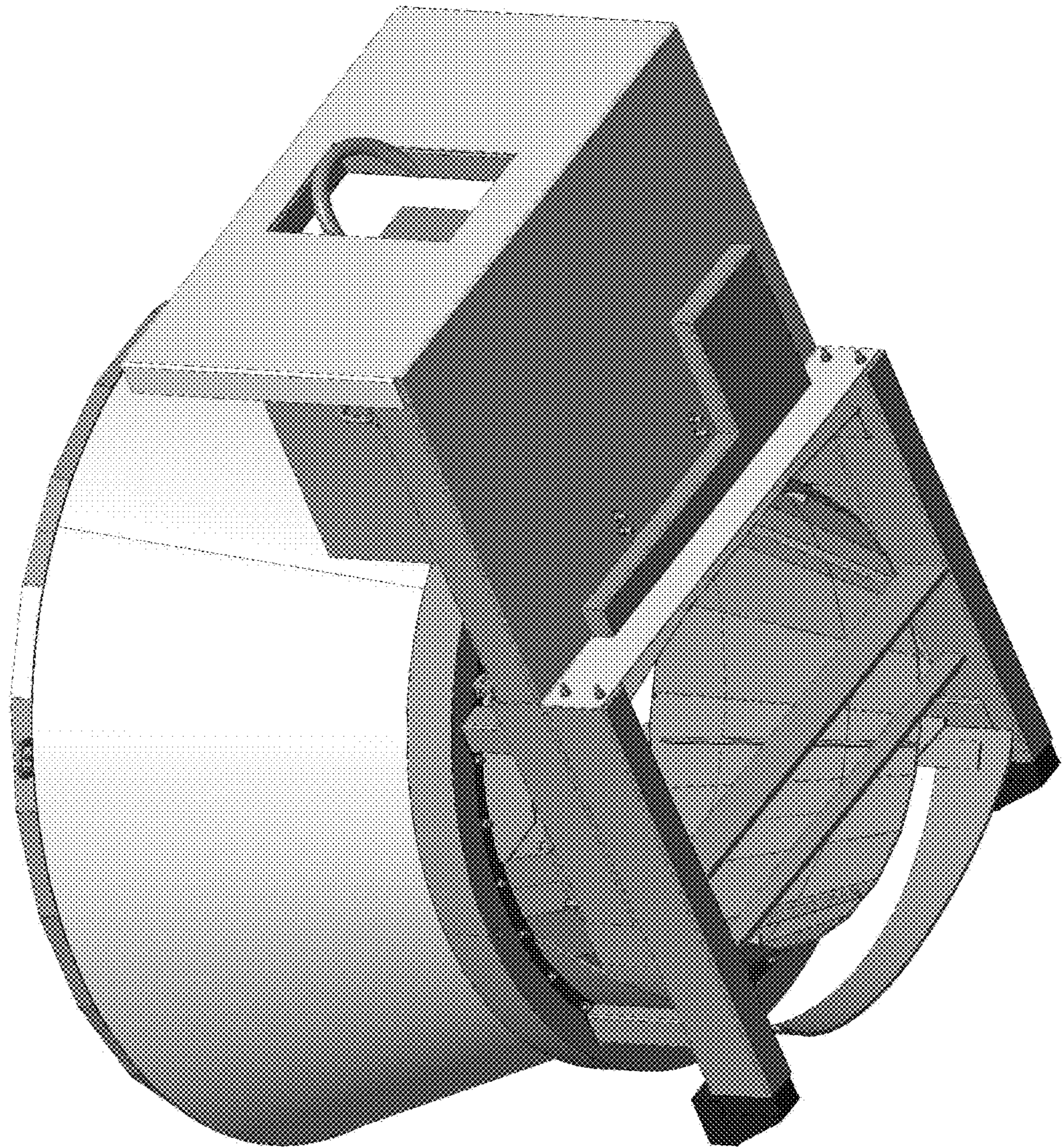
1 Claim, 11 Drawing Sheets



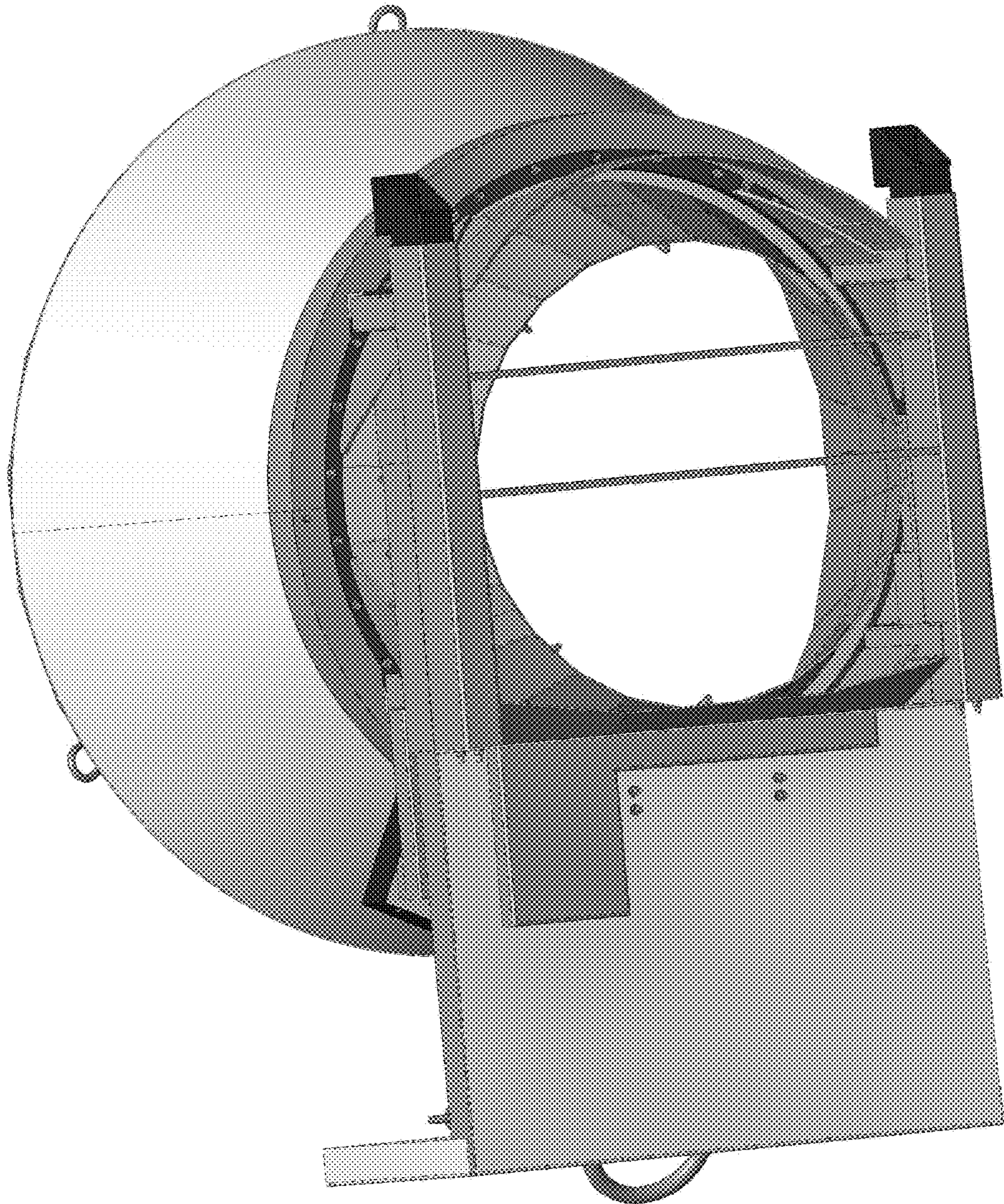
1.1



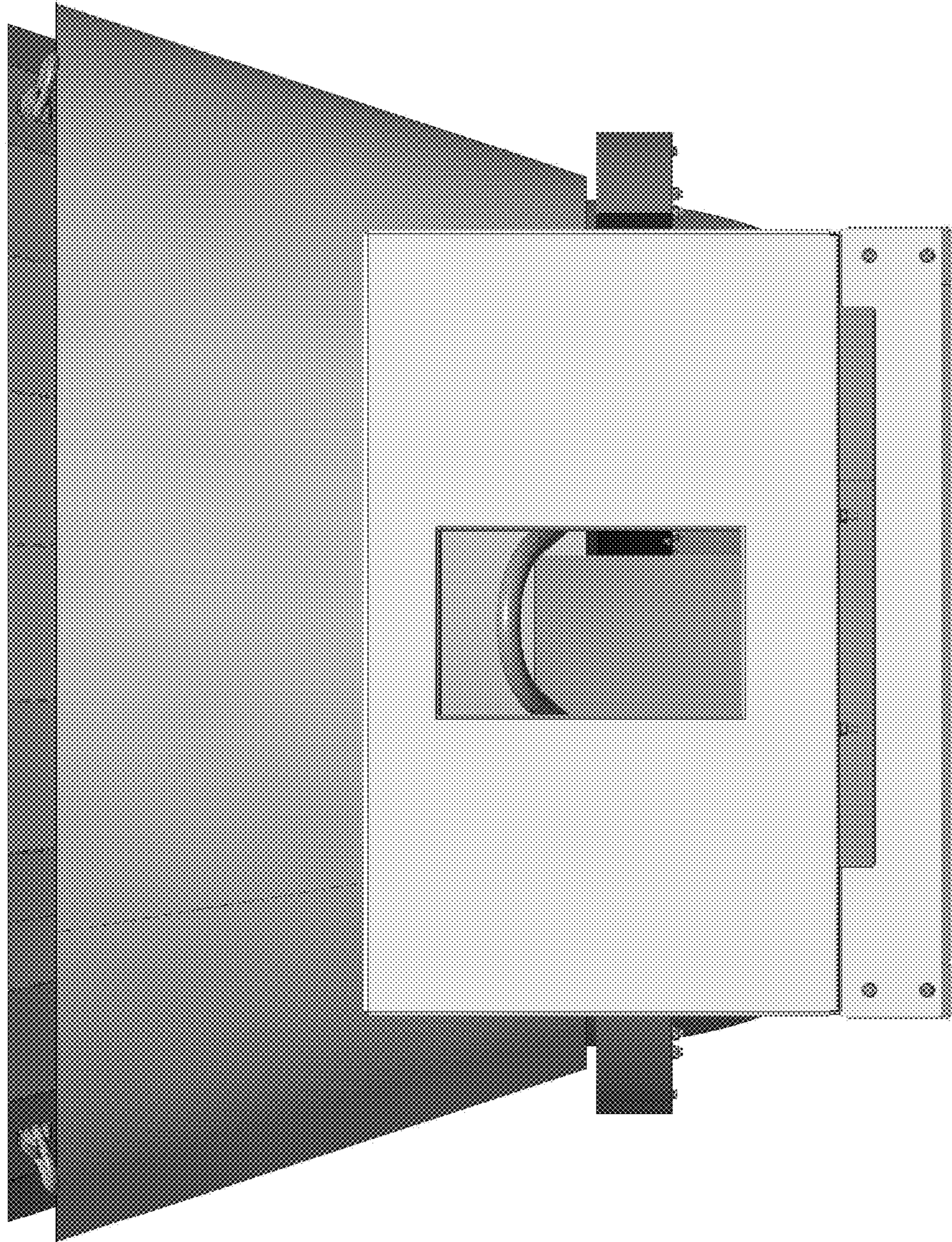
1.2



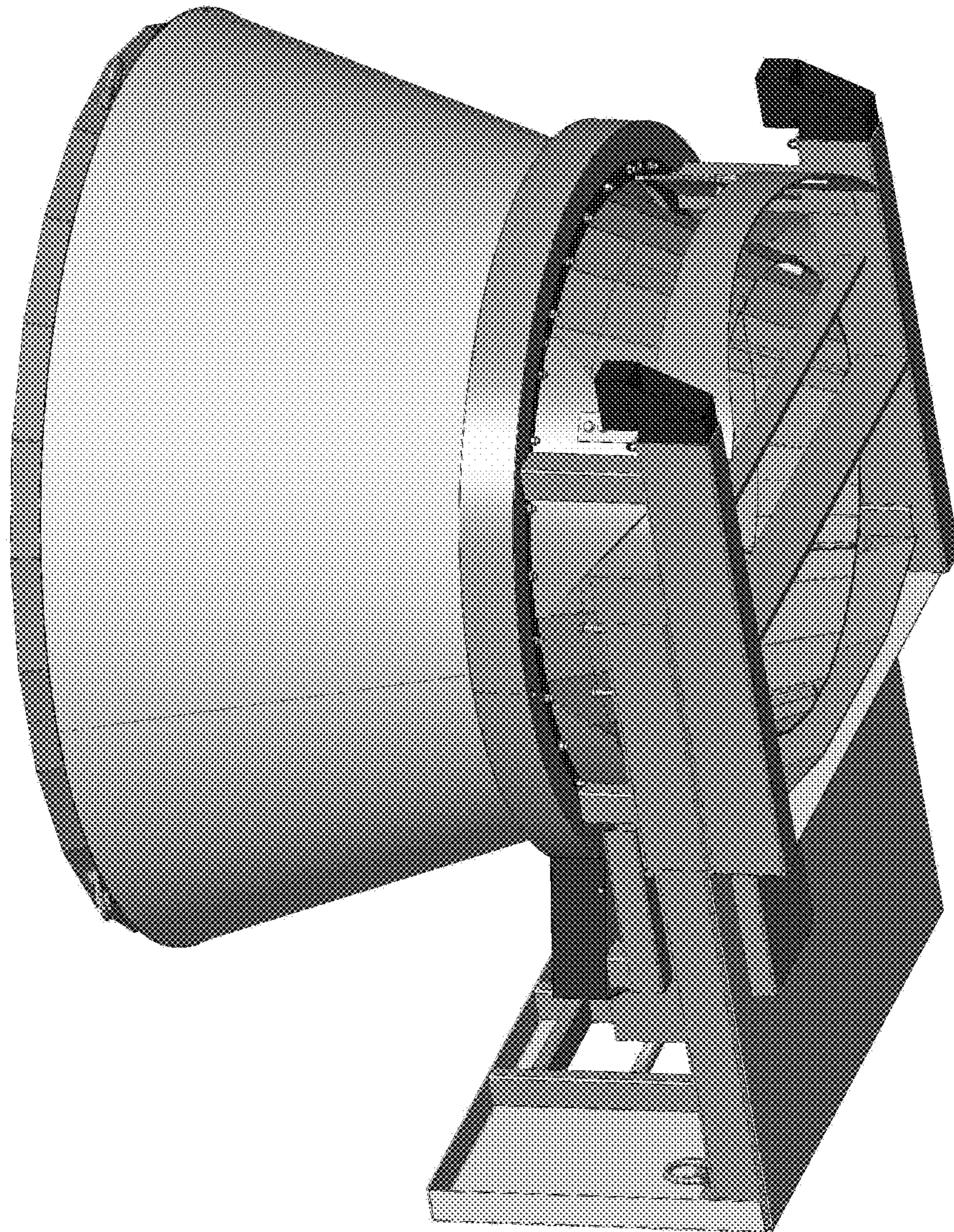
1.3



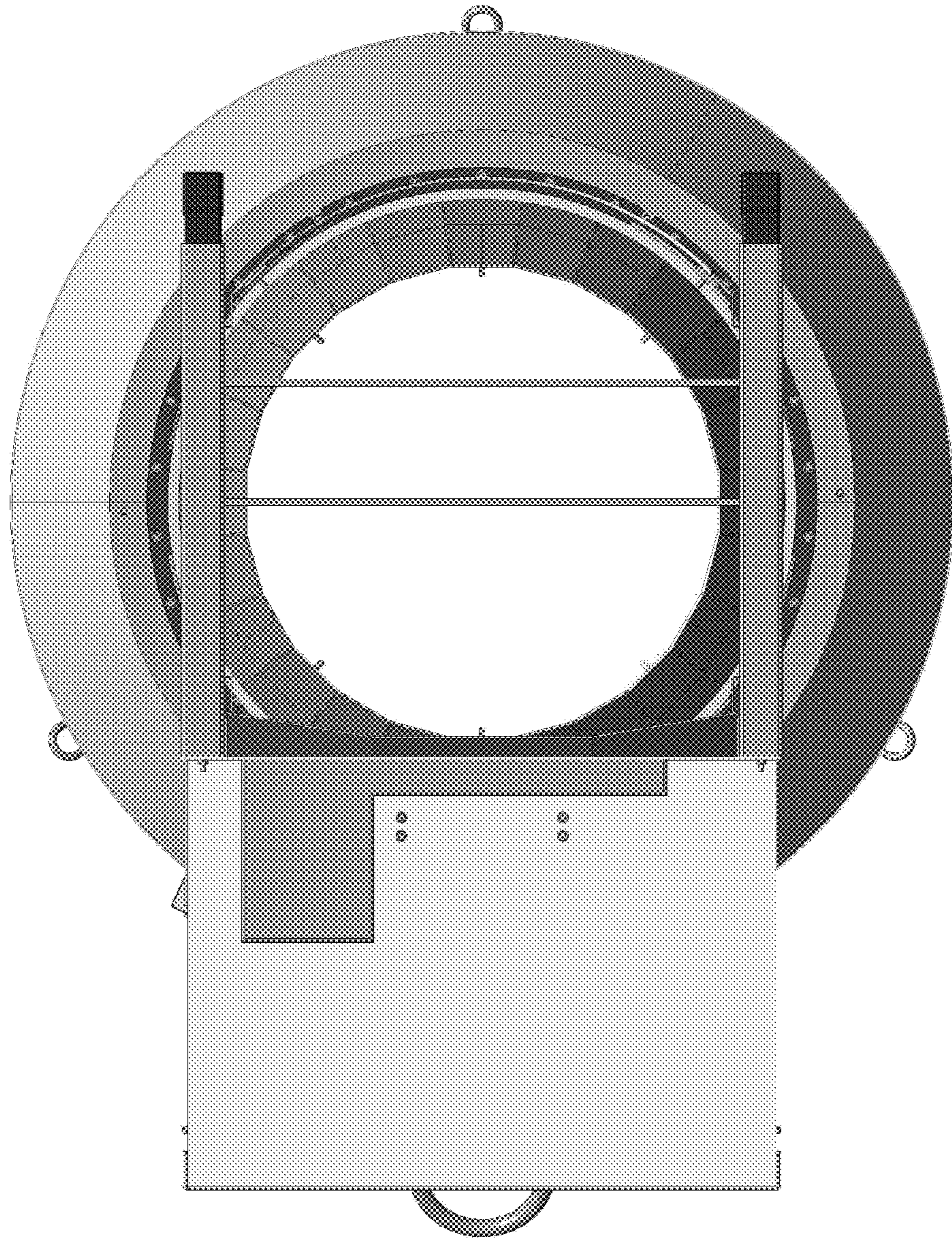
1.4



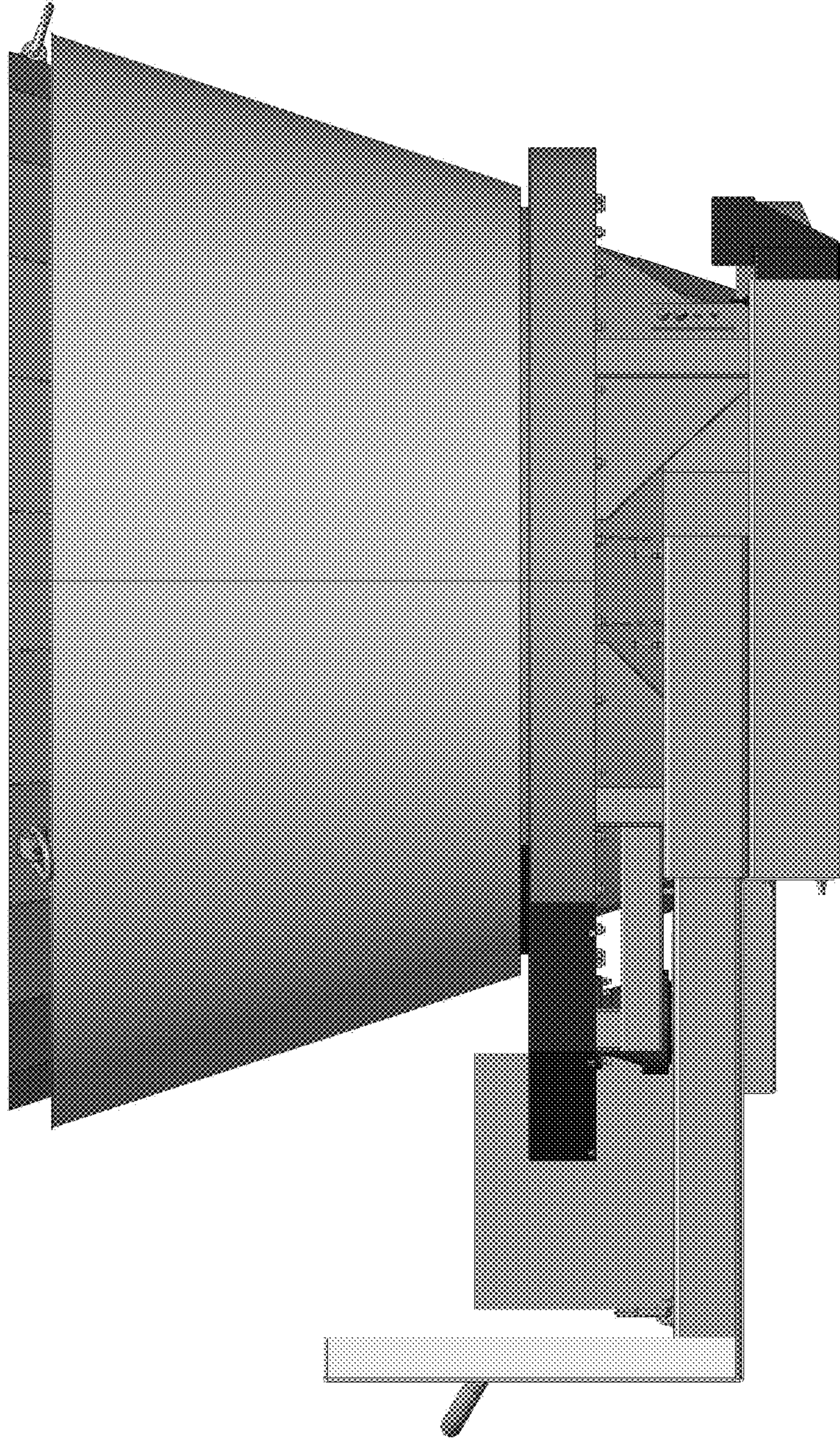
1.5



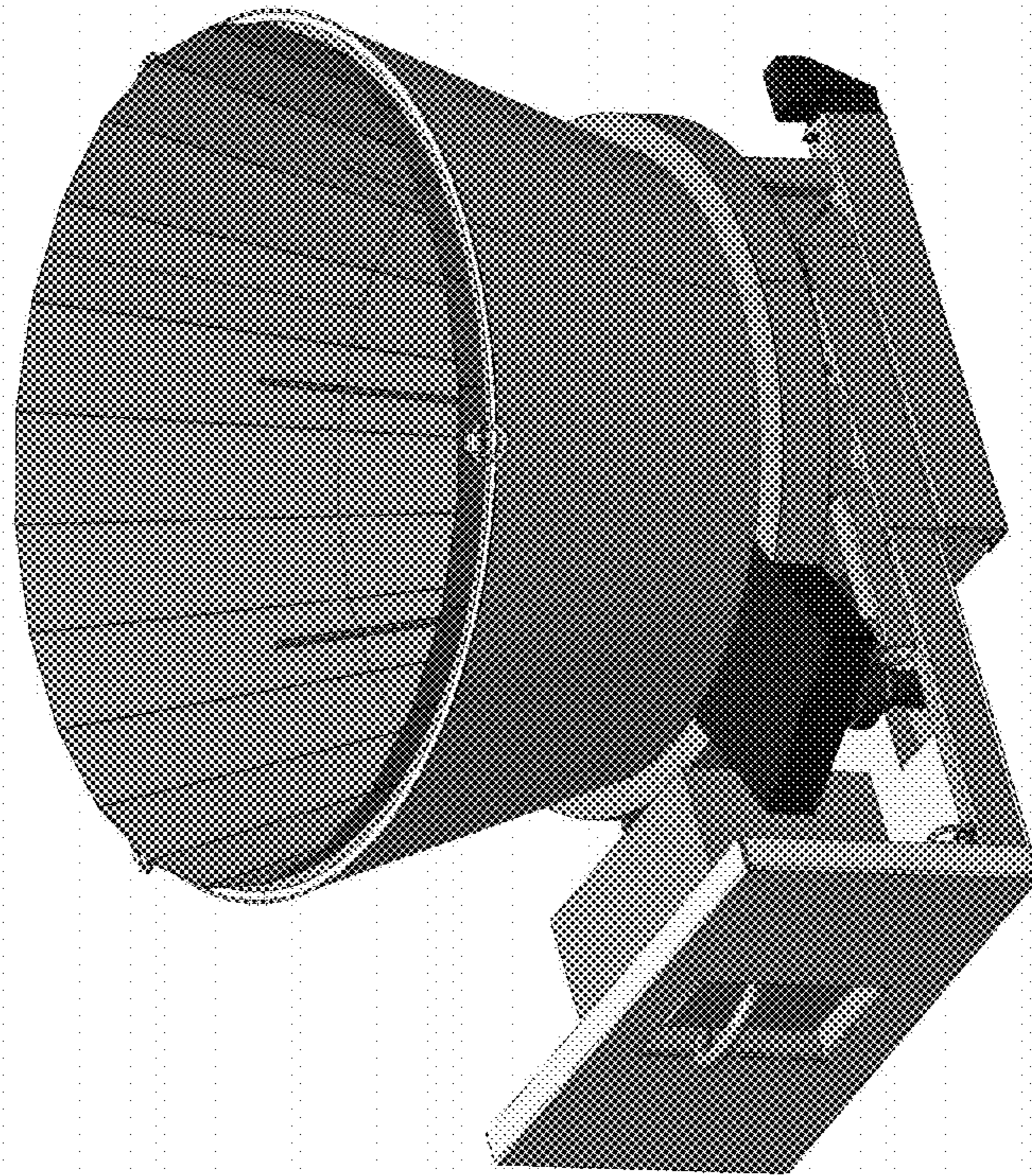
1.6



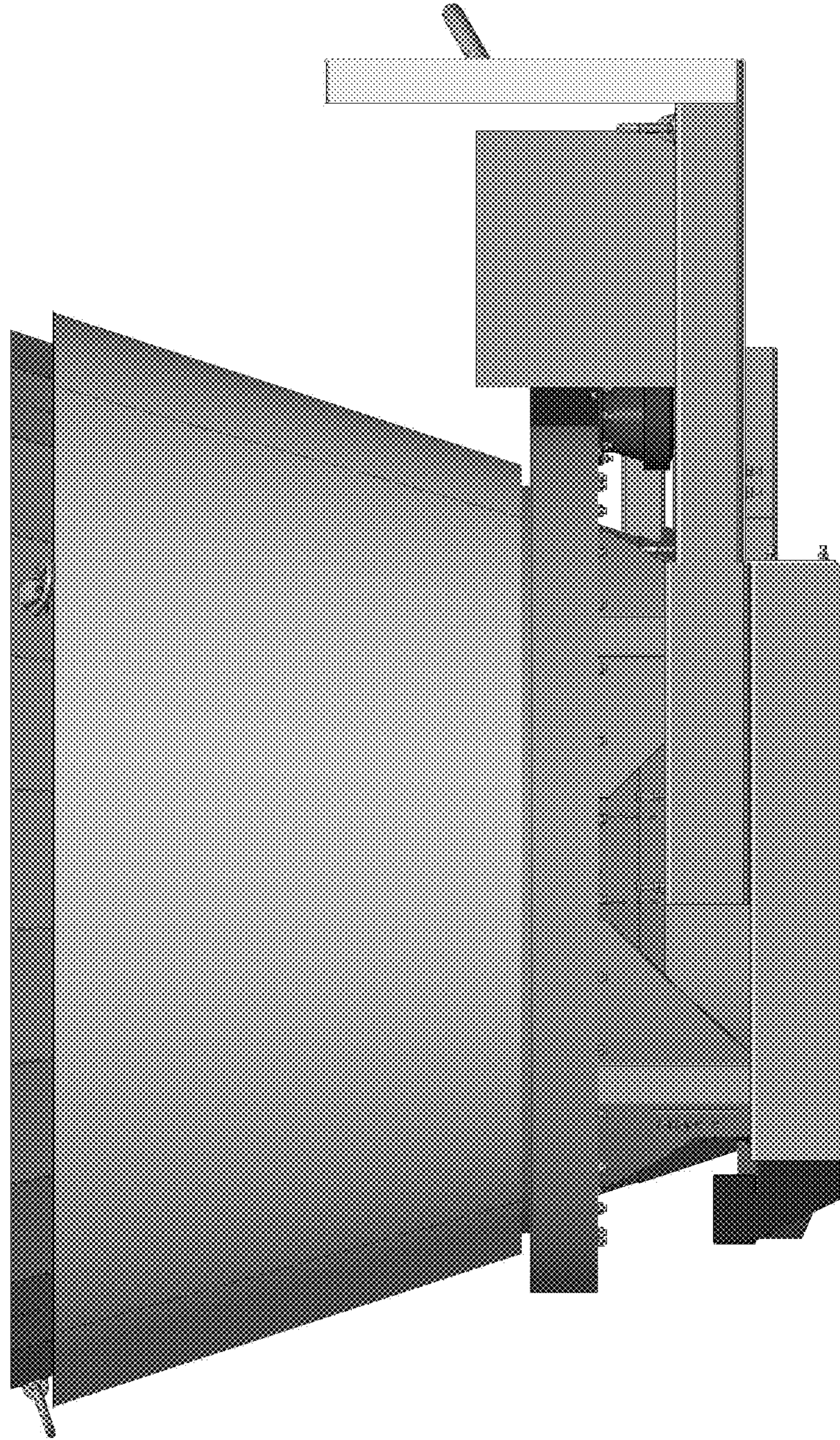
1.7



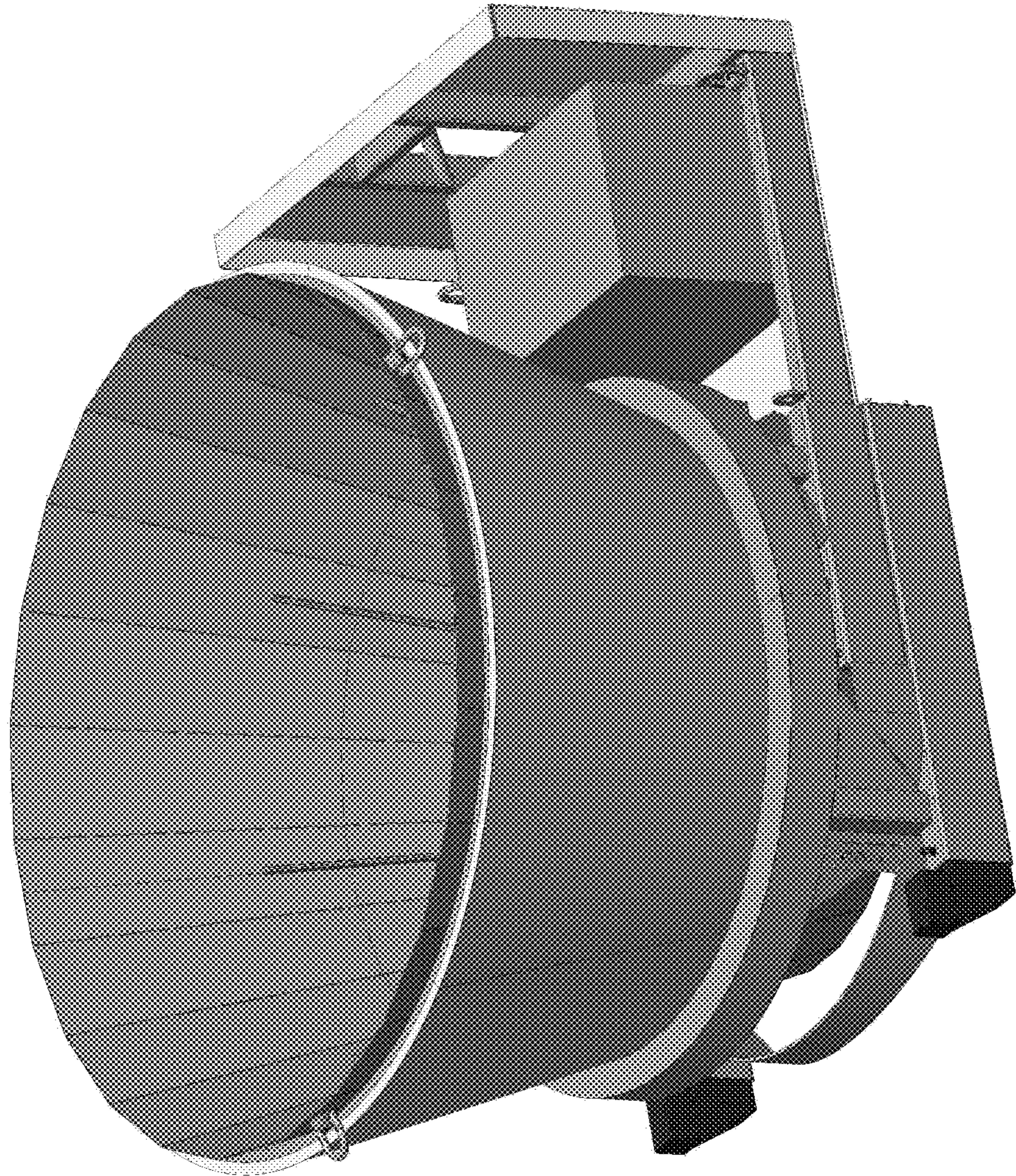
1.8



6.1



1.10



1.11

