



US00D869511S

(12) **United States Design Patent**
Iwama et al.

(10) **Patent No.:** **US D869,511 S**
(45) **Date of Patent:** **** Dec. 10, 2019**

(54) **COMPRESSOR FOR AIR SUSPENSION**

(71) Applicant: **Hitachi Automotive Systems, Ltd.**,
Hitachinaka-shi, Ibaraki (JP)

(72) Inventors: **Yoshihiro Iwama**, Tokyo (JP); **Hiroshi Sakai**, Ibaraki (JP); **Yoshinori Kawai**, Ibaraki (JP)

(73) Assignee: **Hitachi Automotive Systems, Ltd.**,
Hitachinaka-shi (JP)

(**) Term: **15 Years**

(21) Appl. No.: **29/661,776**

(22) Filed: **Aug. 30, 2018**

(30) **Foreign Application Priority Data**

Apr. 20, 2018 (JP) 2018-008807

(51) **LOC (12) Cl.** **15-02**

(52) **U.S. Cl.**
USPC **D15/9**

(58) **Field of Classification Search**
USPC D15/7-9; D23/231, 232, 225
CPC B60G 17/0523; F02M 37/04; F02M 37/14;
F04B 53/92; F04B 1/005; F04B 1/12;
F04B 39/124; F04B 27/08; F04D 13/06;
F04D 29/22; F04D 29/046; F04D
29/2266; F01B 3/00; F01B 13/04; F01B
1/26
See application file for complete search history.

(56) **References Cited**

U.S. PATENT DOCUMENTS

D281,609 S * 12/1985 Herbst D15/9
D281,691 S * 12/1985 Vitaloni D15/9
D370,683 S * 6/1996 Stahlman D15/7
D378,214 S * 2/1997 Ikumi D15/7

D378,680 S * 4/1997 Ikumi D15/7
D399,214 S * 10/1998 DeRuyter D15/9
D417,457 S * 12/1999 Asahara D15/7
D428,617 S * 7/2000 Hariwara D15/7
D441,768 S * 5/2001 Nagai D15/7
D486,835 S * 2/2004 Hsiao D15/9
D512,442 S * 12/2005 Moser, III D15/9
D520,025 S * 5/2006 Chu D15/9
D532,797 S * 11/2006 Wise D15/9
D549,736 S * 8/2007 Moser, III D15/9
D556,218 S * 11/2007 Hansen D15/9
D583,389 S * 12/2008 Bilger D15/7
D613,635 S * 4/2010 Chu D15/9
D614,673 S * 4/2010 Chen D15/9
D630,652 S * 1/2011 Yoshioka D15/7
8,057,585 B2 * 11/2011 Bodet B60G 17/0523
280/6.157
D658,684 S * 5/2012 Roman D15/9
D683,767 S * 6/2013 Yoshimura D15/5
D689,524 S * 9/2013 Peschel D15/7
D689,525 S * 9/2013 Peschel D15/7
D745,896 S * 12/2015 Ohser D15/9
D757,120 S * 5/2016 Kudo D15/7

(Continued)

Primary Examiner — Mitchell I. Siegel

(74) *Attorney, Agent, or Firm* — Crowell & Moring LLP

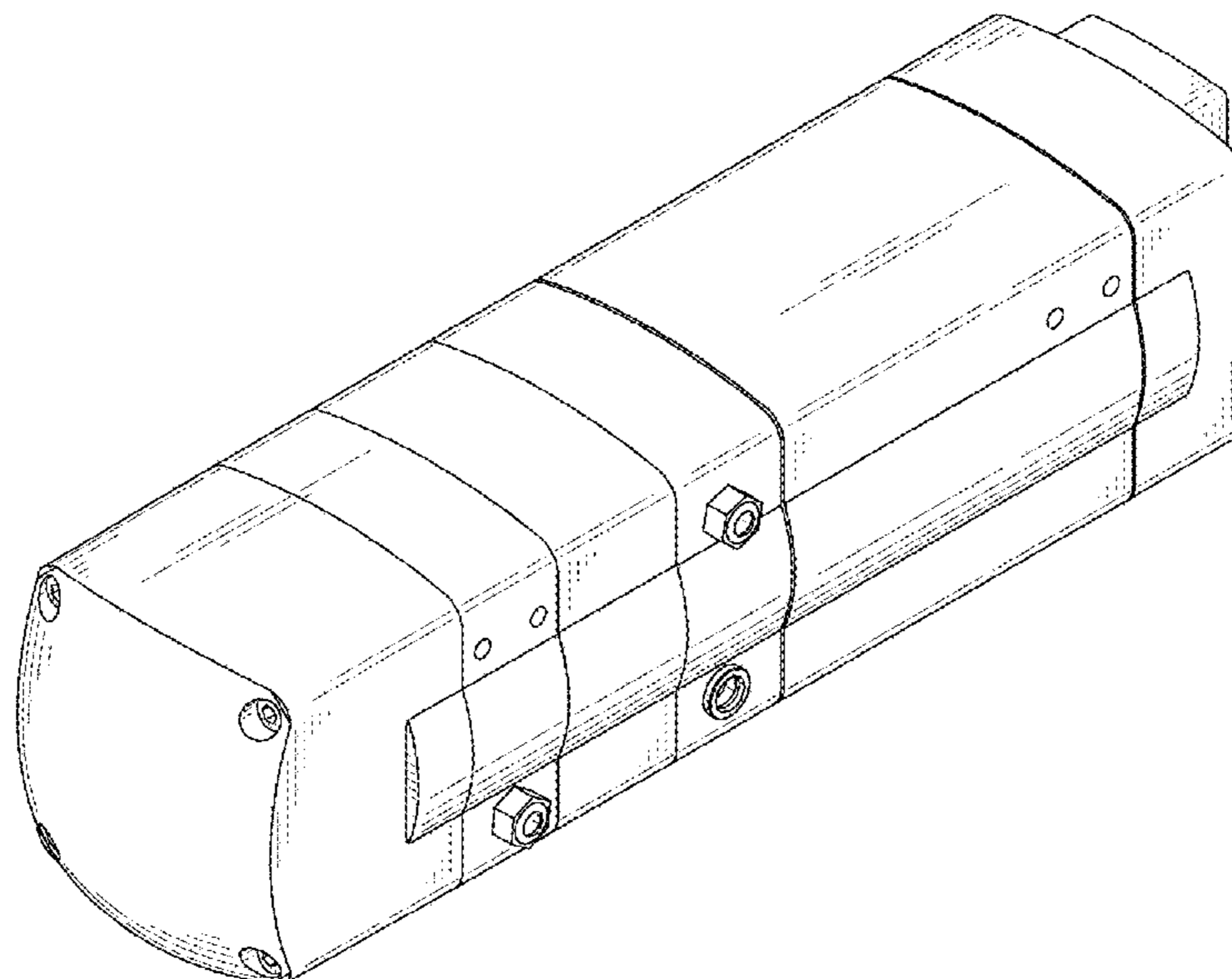
(57) **CLAIM**

The ornamental design for a compressor for air suspension, as shown and described.

DESCRIPTION

FIG. 1 is a front, top and left side perspective view of a compressor for air suspension according to the design; FIG. 2 is a front, top and right side perspective view thereof; FIG. 3 is a front elevational view thereof; FIG. 4 is a left side elevational view thereof; FIG. 5 is a right side elevational view thereof; FIG. 6 is a top plan view thereof; FIG. 7 is a rear elevational view thereof; and, FIG. 8 is a bottom plan view thereof.

1 Claim, 6 Drawing Sheets



(56)

References Cited

U.S. PATENT DOCUMENTS

D772,302 S	*	11/2016	Kudo	D15/7
D780,229 S	*	2/2017	Kudo	D15/7
D805,559 S	*	12/2017	Kudo	D15/7
D826,286 S	*	8/2018	Nguyen	D15/9

* cited by examiner

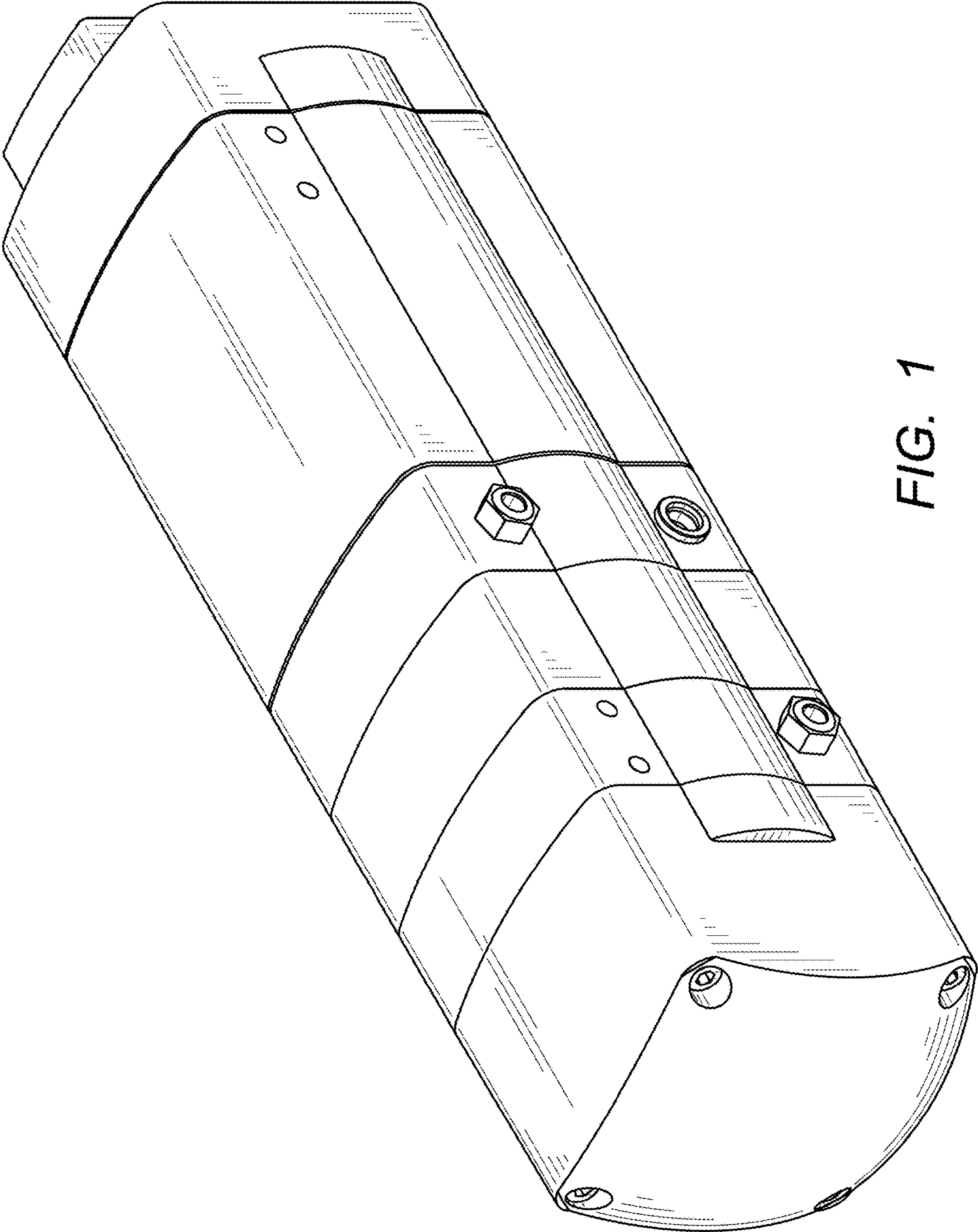


FIG. 1

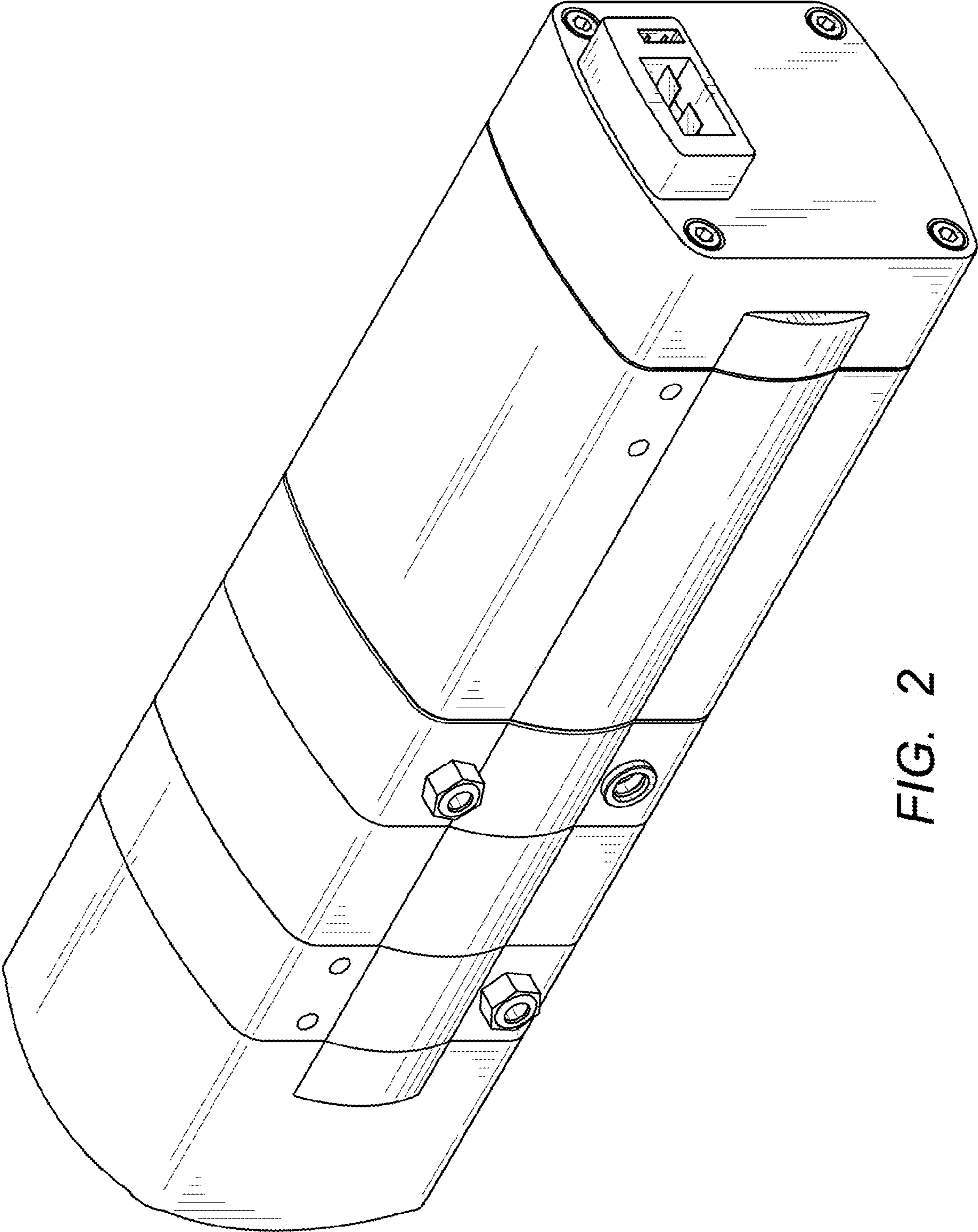


FIG. 2

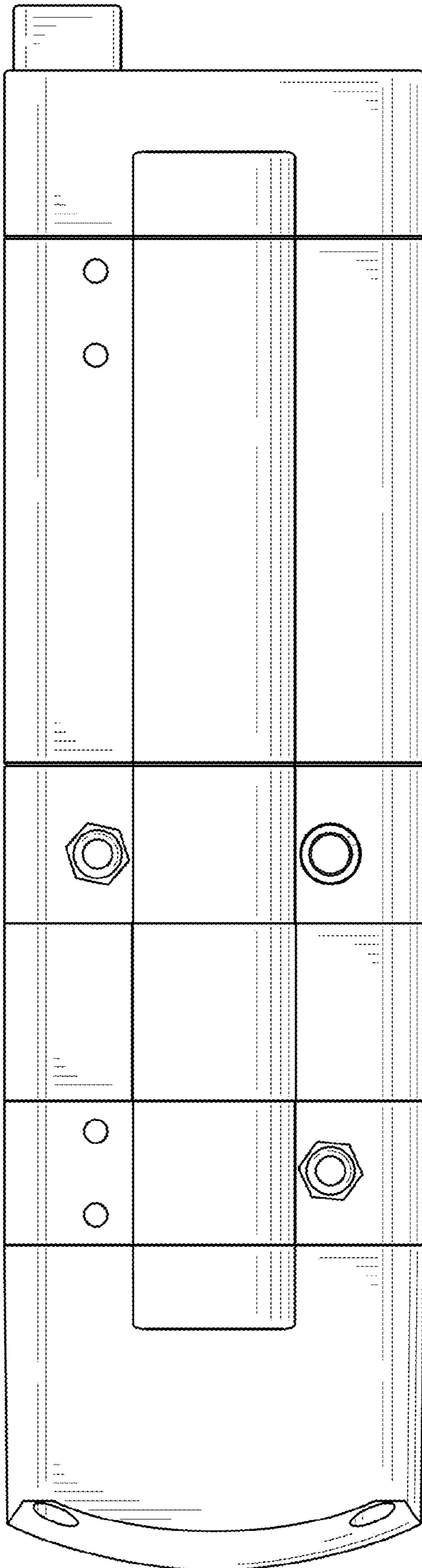


FIG. 3

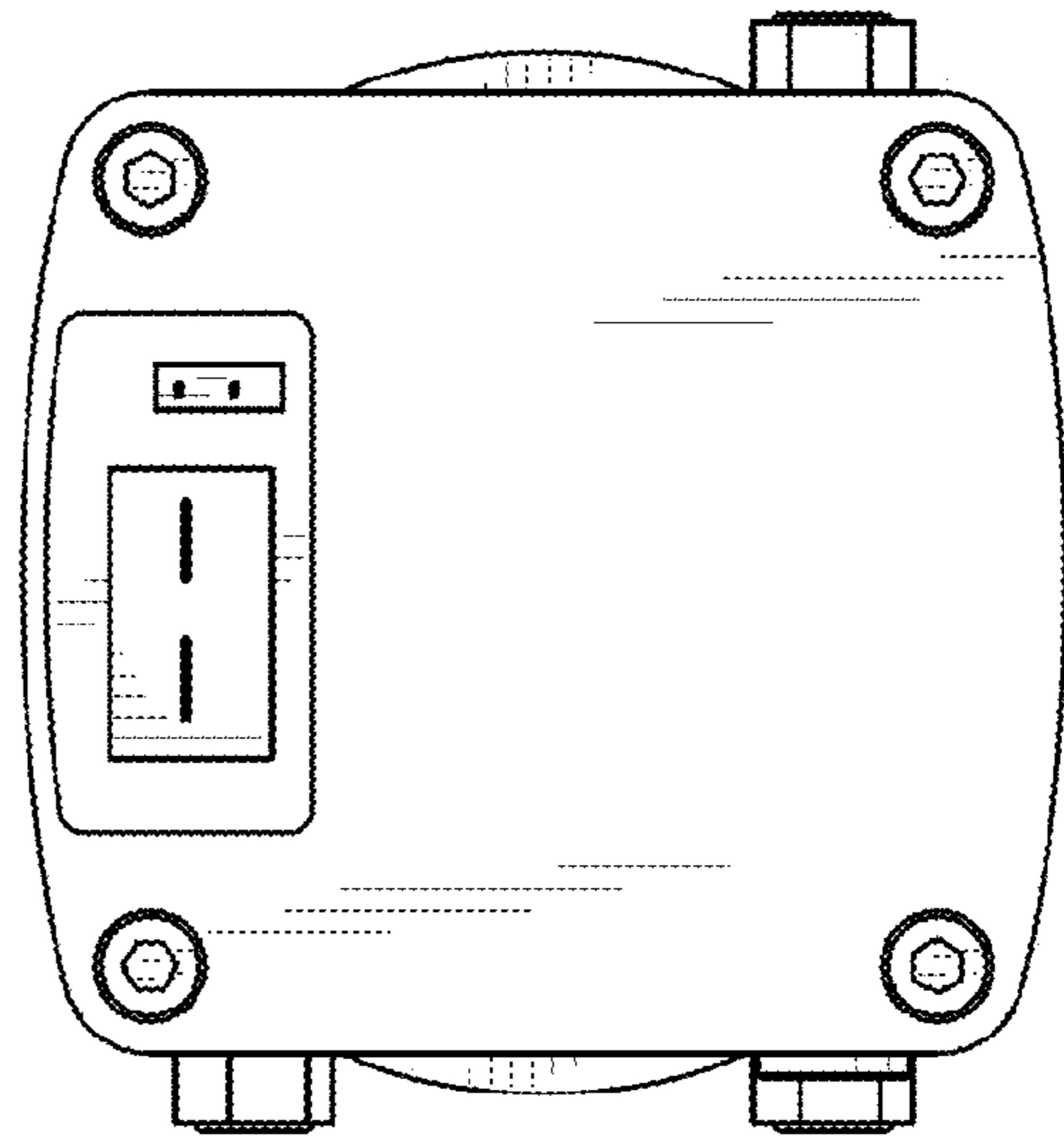
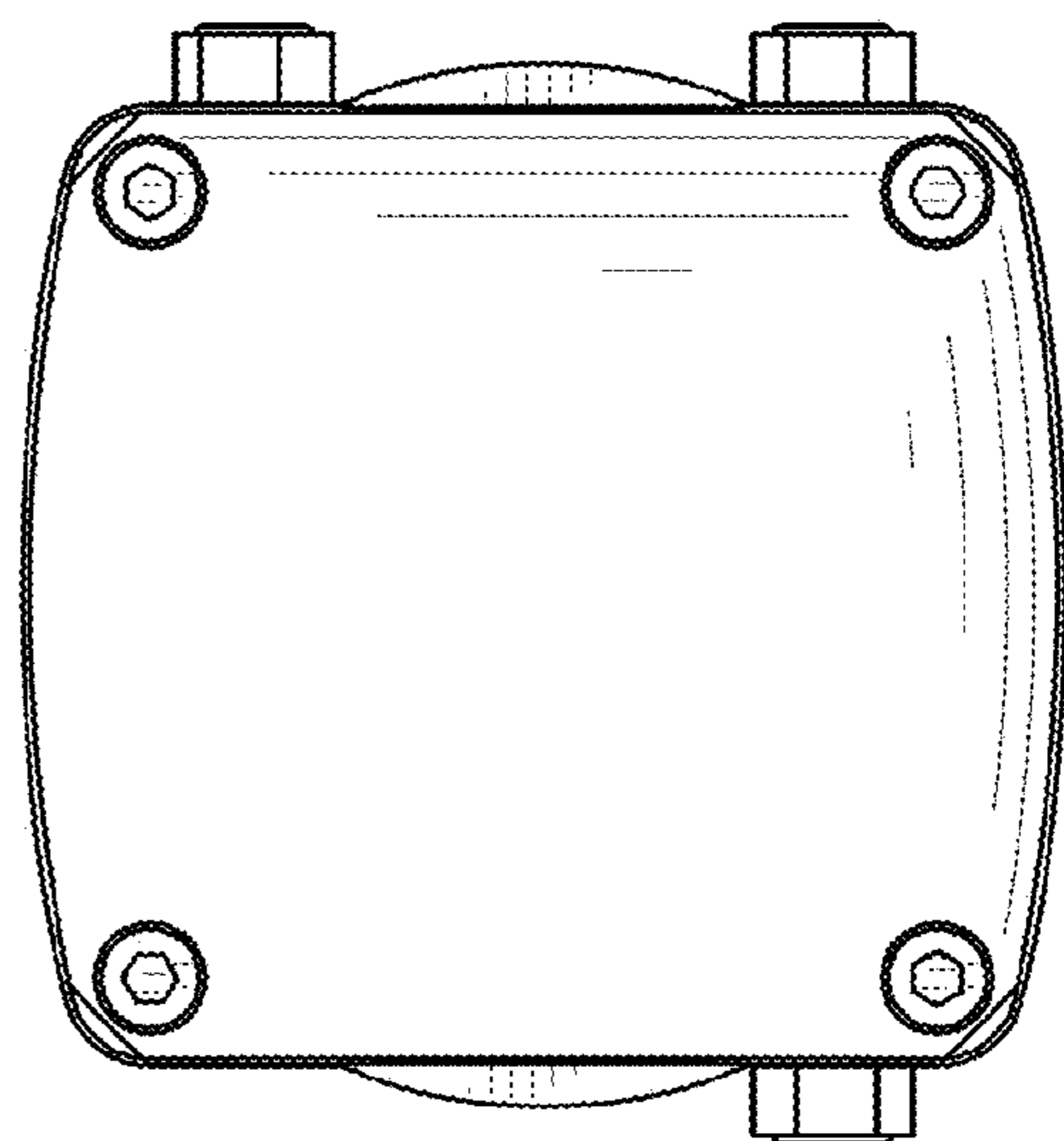


FIG. 4

FIG. 5



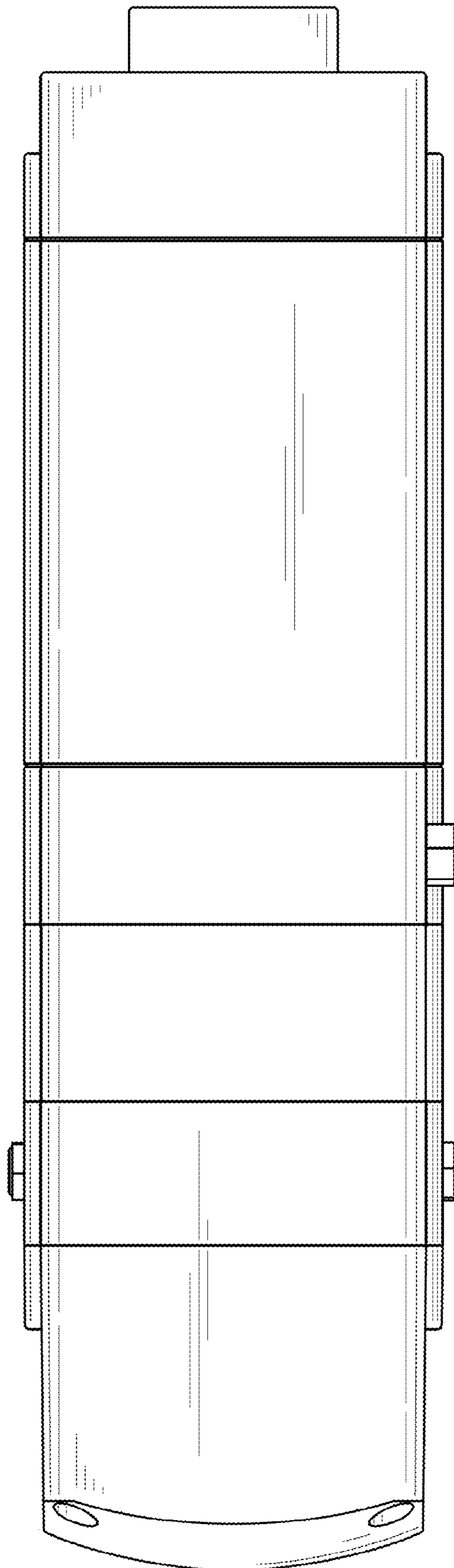


FIG. 6

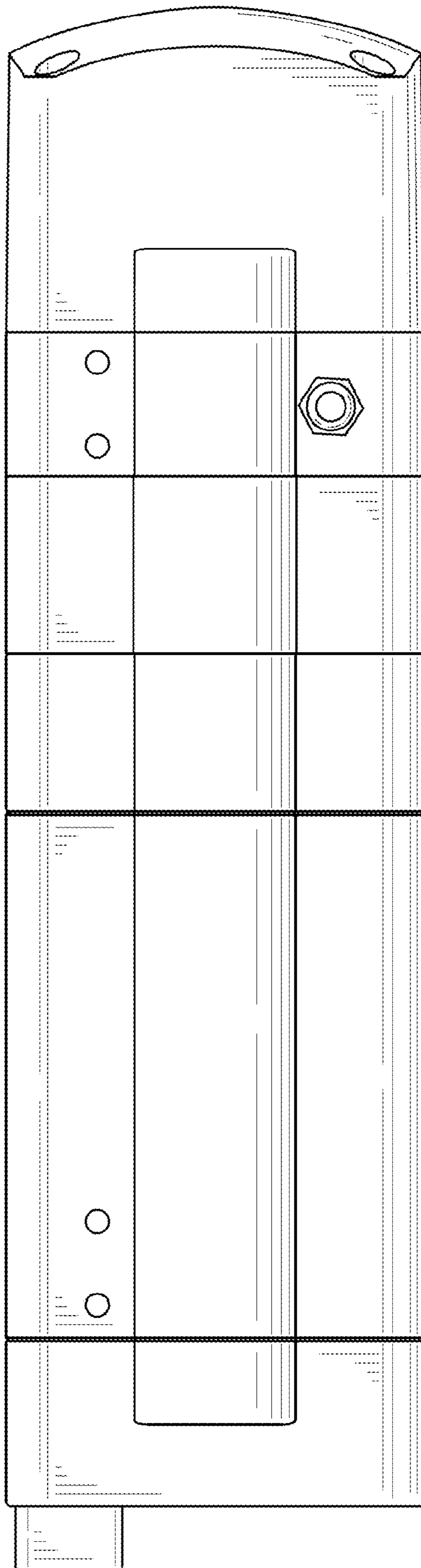


FIG. 7

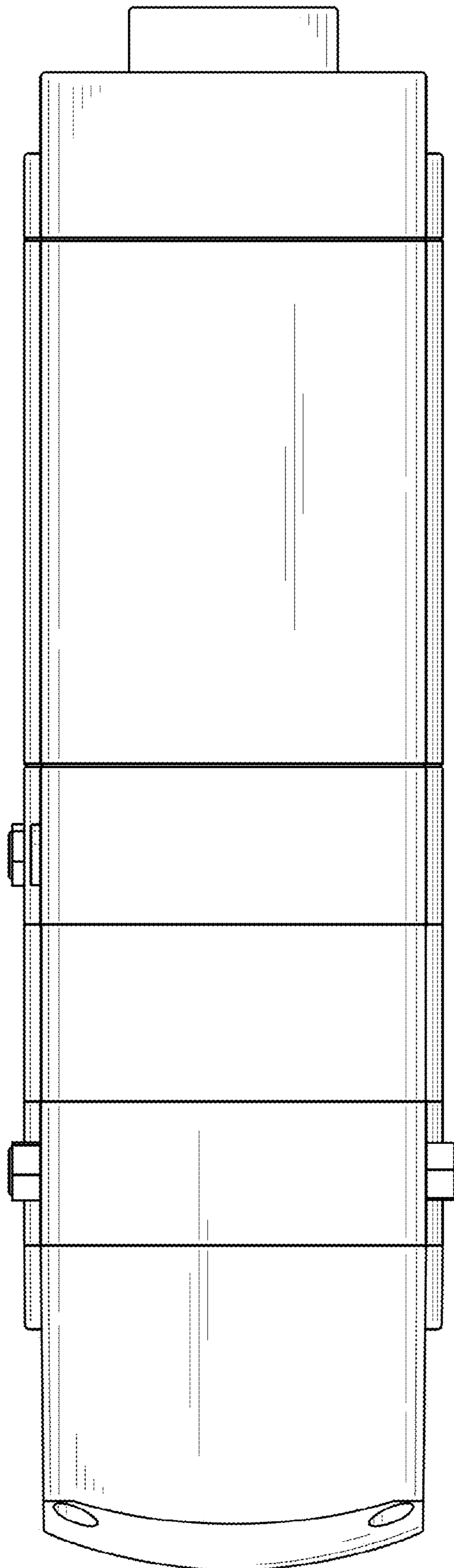


FIG. 8