



US00D869510S

(12) **United States Design Patent** (10) **Patent No.:** **US D869,510 S**  
**Ip** (45) **Date of Patent:** **\*\* Dec. 10, 2019**

(54) **PRESSURIZED PUMP**

D749,699 S \* 2/2016 Nicolia ..... D23/202  
D822,161 S \* 7/2018 Bonaventura ..... D23/225  
D846,073 S \* 4/2019 Ip ..... D23/225

(71) Applicant: **Hung Yam Ip**, Jiangmen (CN)

\* cited by examiner

(72) Inventor: **Hung Yam Ip**, Jiangmen (CN)

*Primary Examiner* — Mitchell I. Siegel

(\*\*) Term: **15 Years**

(74) *Attorney, Agent, or Firm* — Cooper Legal Group, LLC

(21) Appl. No.: **29/659,016**

(22) Filed: **Aug. 6, 2018**

(30) **Foreign Application Priority Data**

(57) **CLAIM**

Mar. 9, 2018 (CN) ..... 2018 3 0087795

The ornamental design for an pressurized pump, as shown and described.

(51) **LOC (12) Cl.** ..... **15-02**

(52) **U.S. Cl.**  
USPC ..... **D15/7**

**DESCRIPTION**

(58) **Field of Classification Search**  
USPC ..... D15/7-9; D23/225, 213, 202-206, 259, D23/260

CPC .... F17C 1/00; F17C 1/005; F17C 2223/0123; F17C 2223/035; F17C 2223/036; F02M 37/0076; B05B 9/08; B05B 7/2408; B65D 83/20

FIG. 1 is is a perspective view of a pressurized pump showing our new design;  
FIG. 2 is a front view thereof;  
FIG. 3 is a rear view thereof;  
FIG. 4 is a left side view thereof;  
FIG. 5 is a right side view thereof;  
FIG. 6 is a top view thereof; and,  
FIG. 7 is a bottom view thereof.

See application file for complete search history.

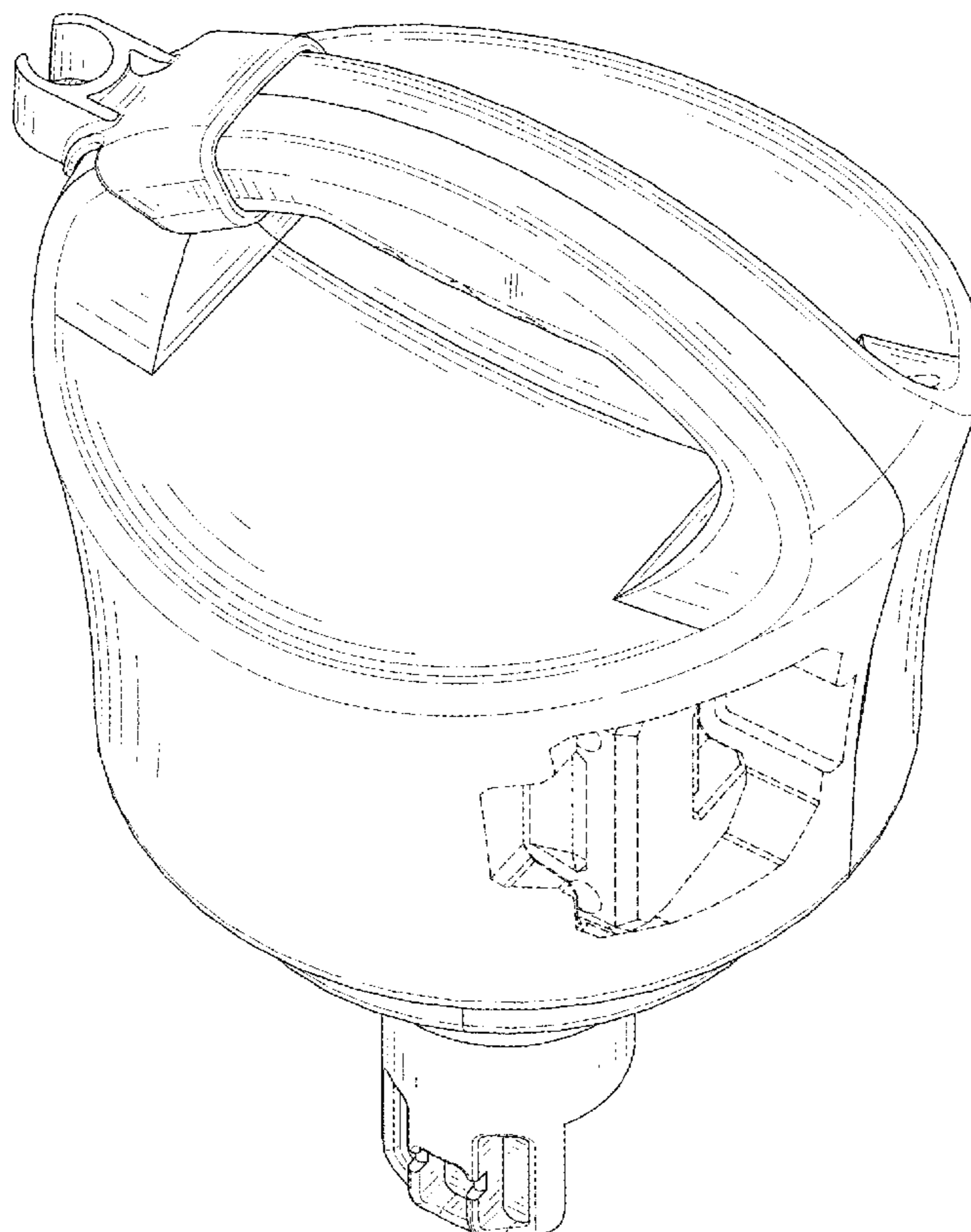
The broken line shown are included for the purpose of illustrating unclaimed subject matter and forms no part of the claimed design.

(56) **References Cited**

**U.S. PATENT DOCUMENTS**

**1 Claim, 7 Drawing Sheets**

D327,528 S \* 6/1992 Sears ..... D23/225  
D670,787 S \* 11/2012 Kang ..... D23/225



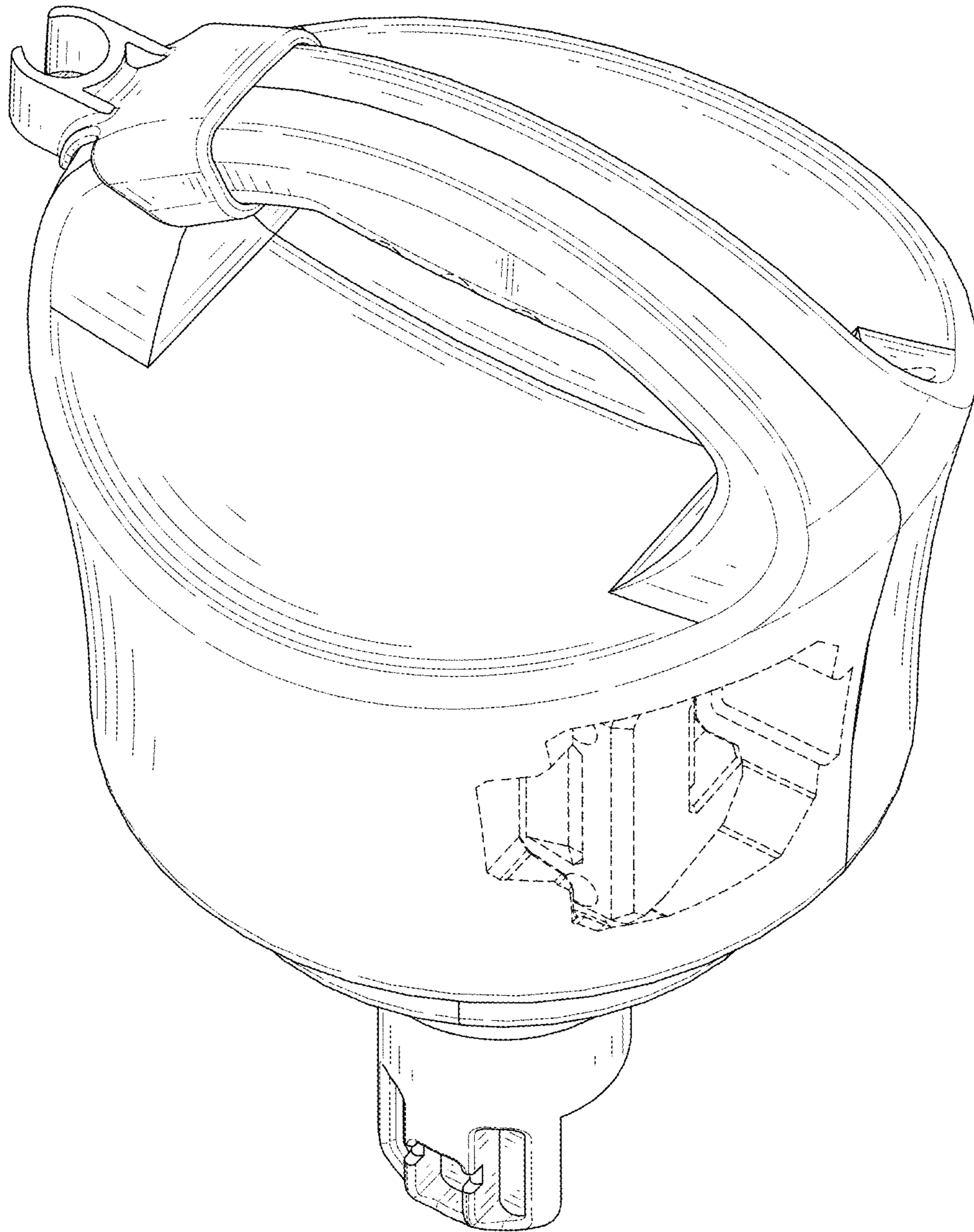


FIG. 1

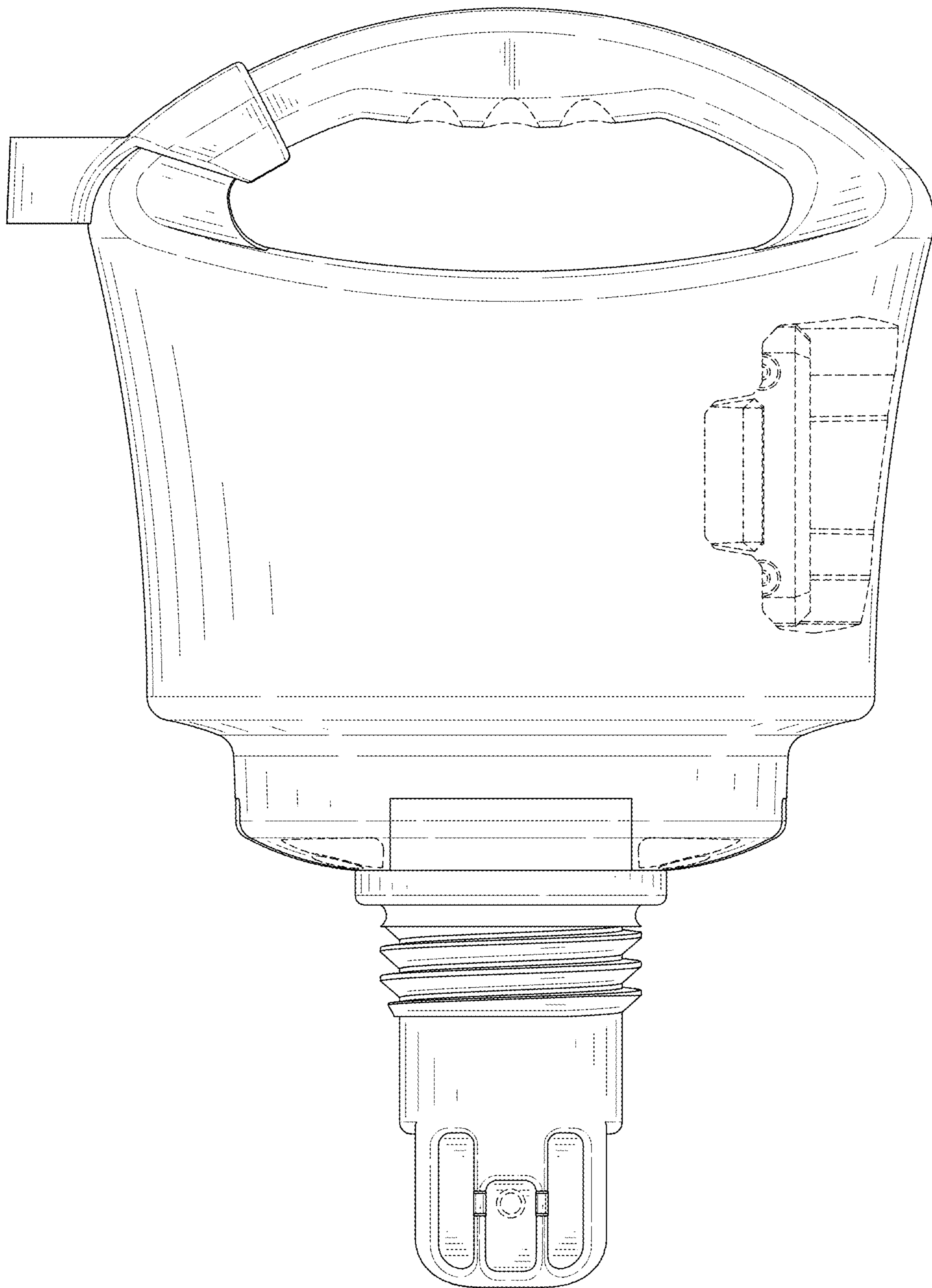


FIG. 2

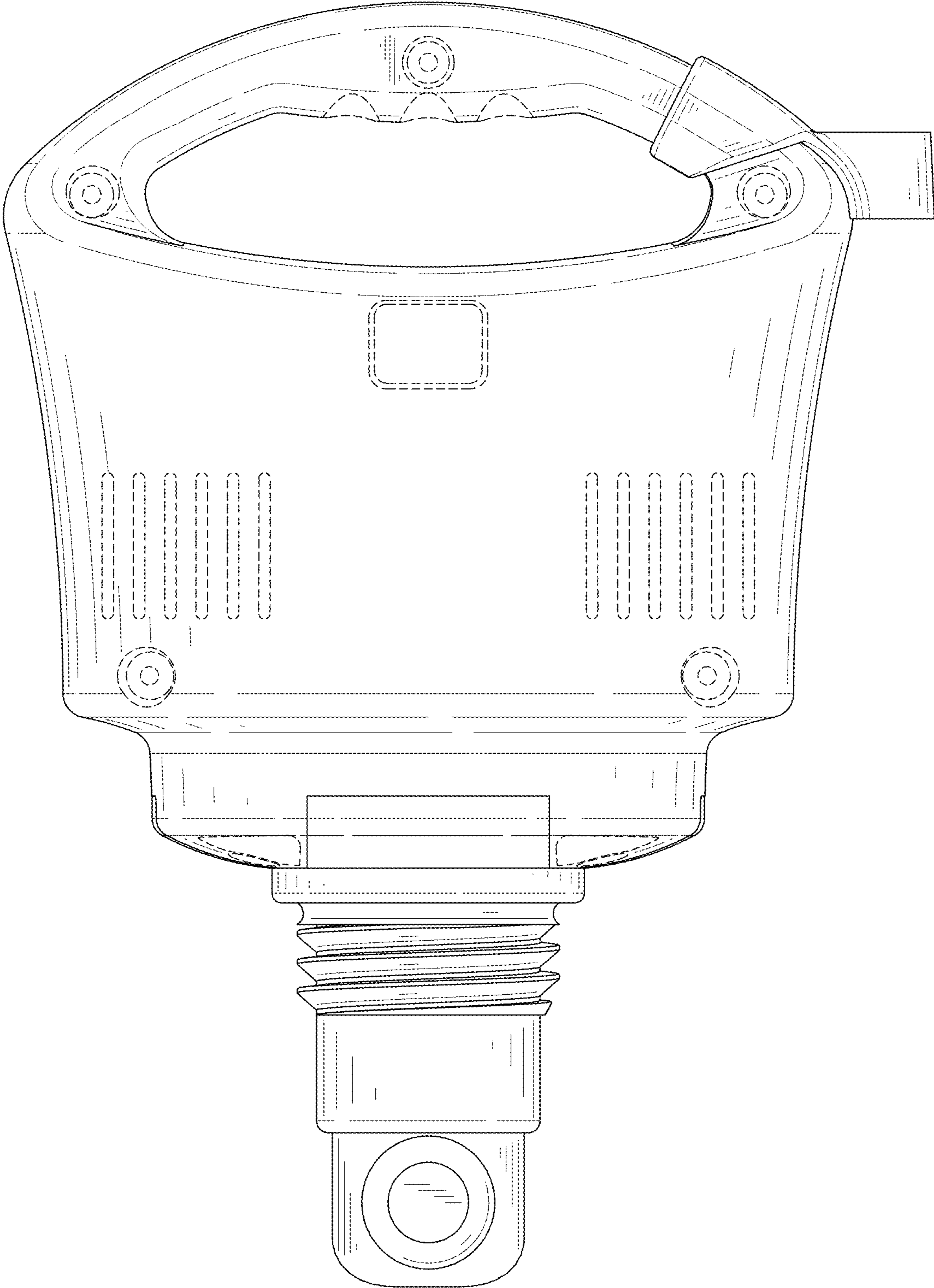


FIG. 3

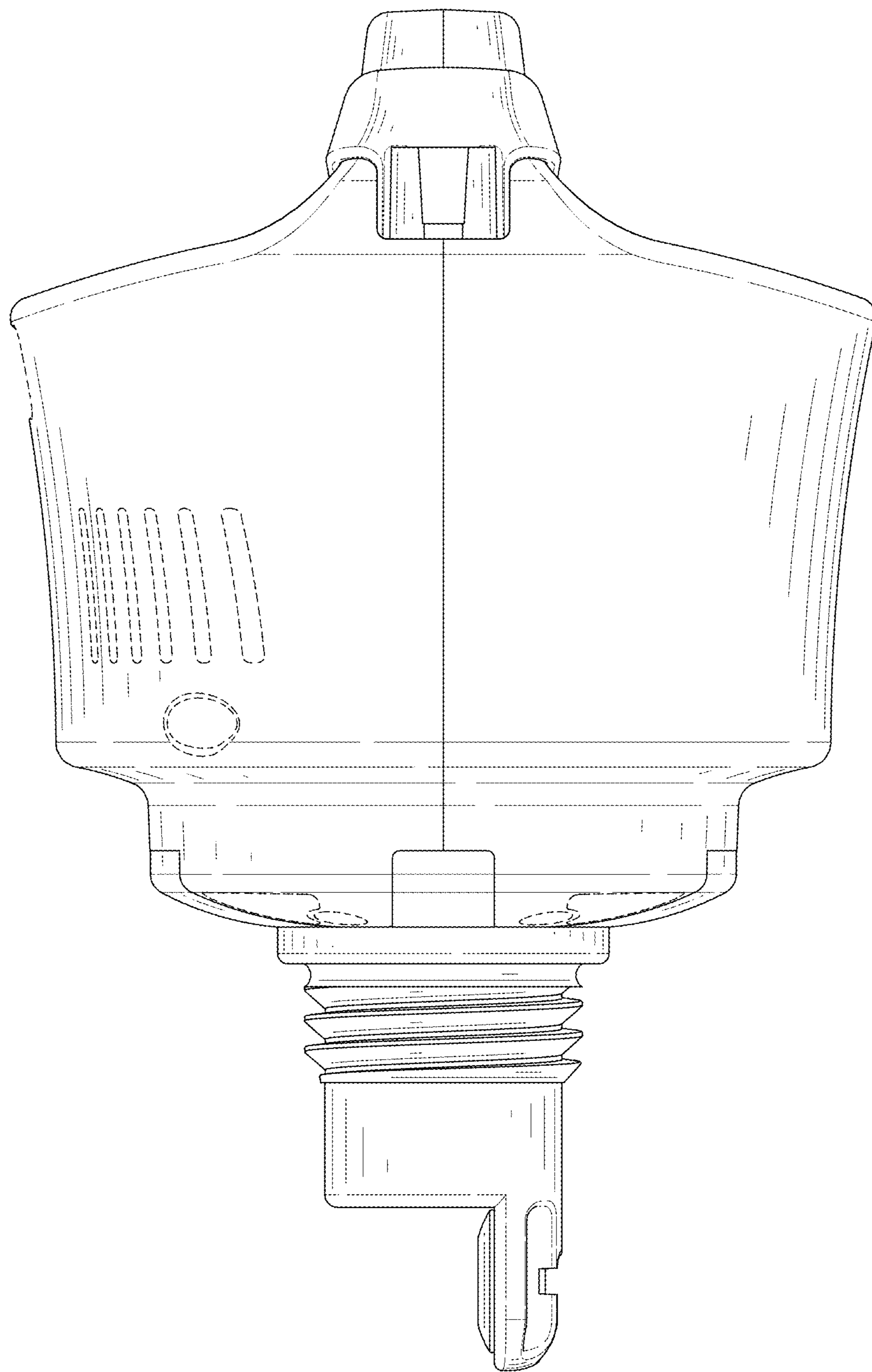


FIG. 4

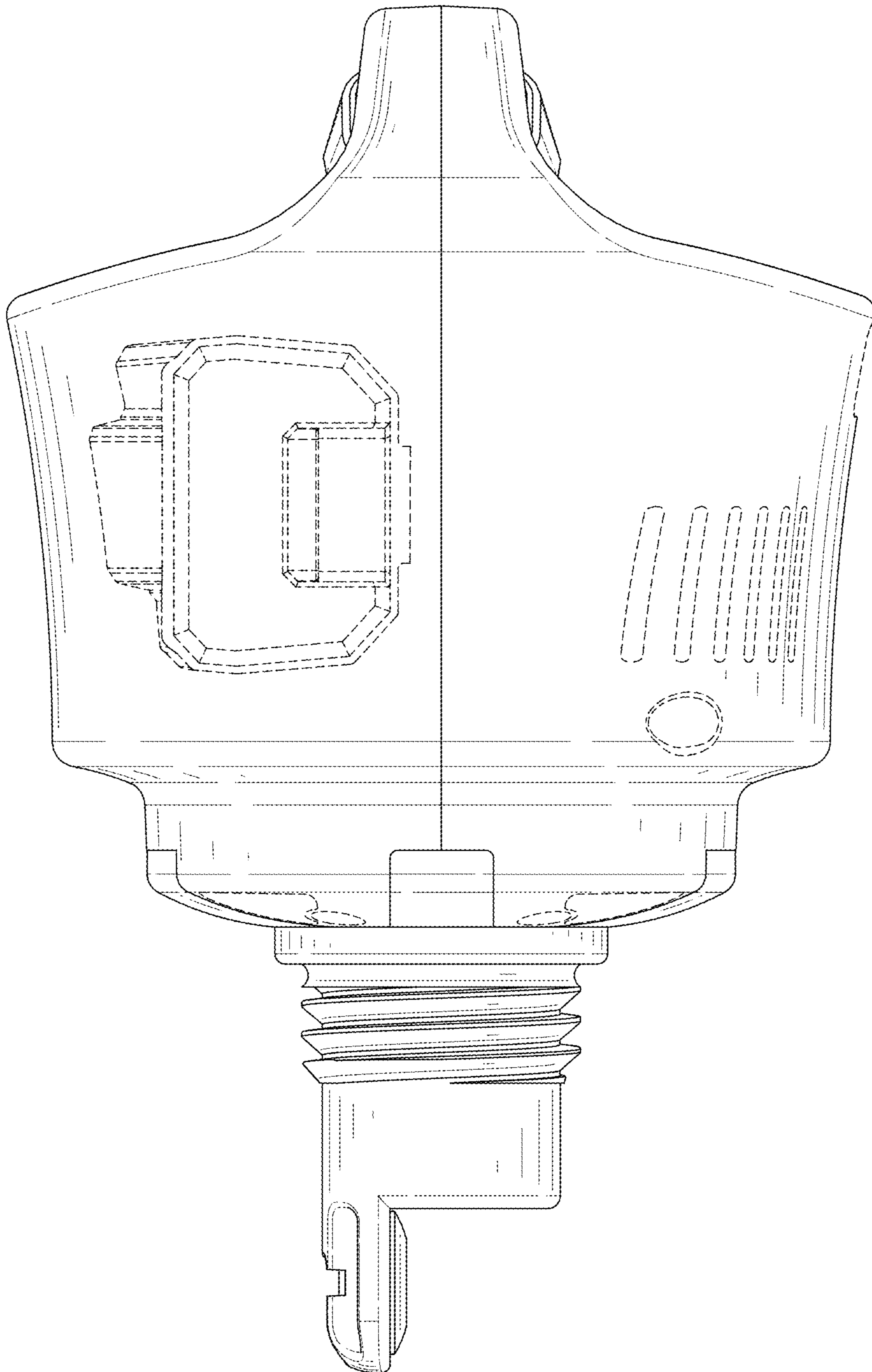


FIG. 5

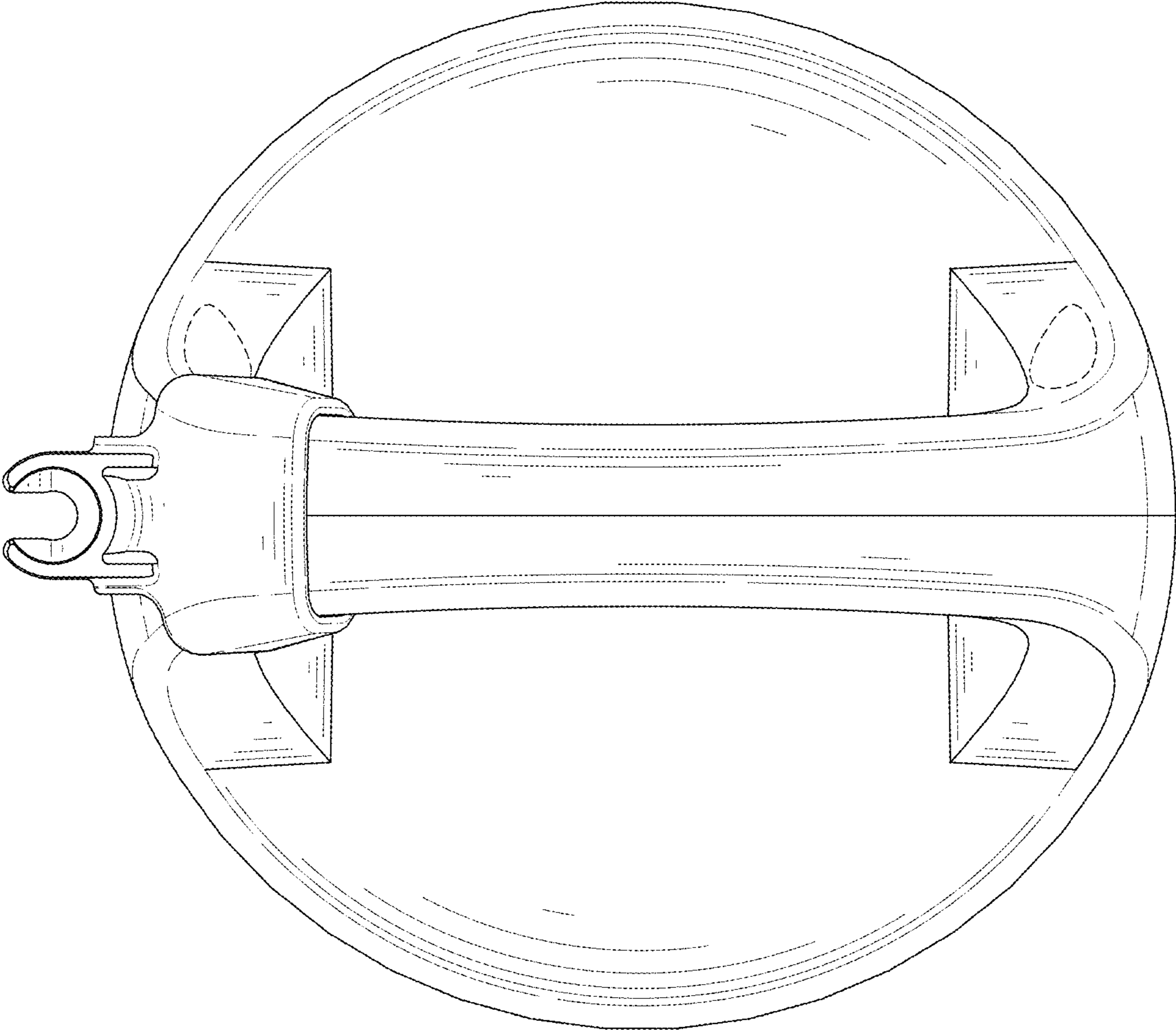


FIG. 6

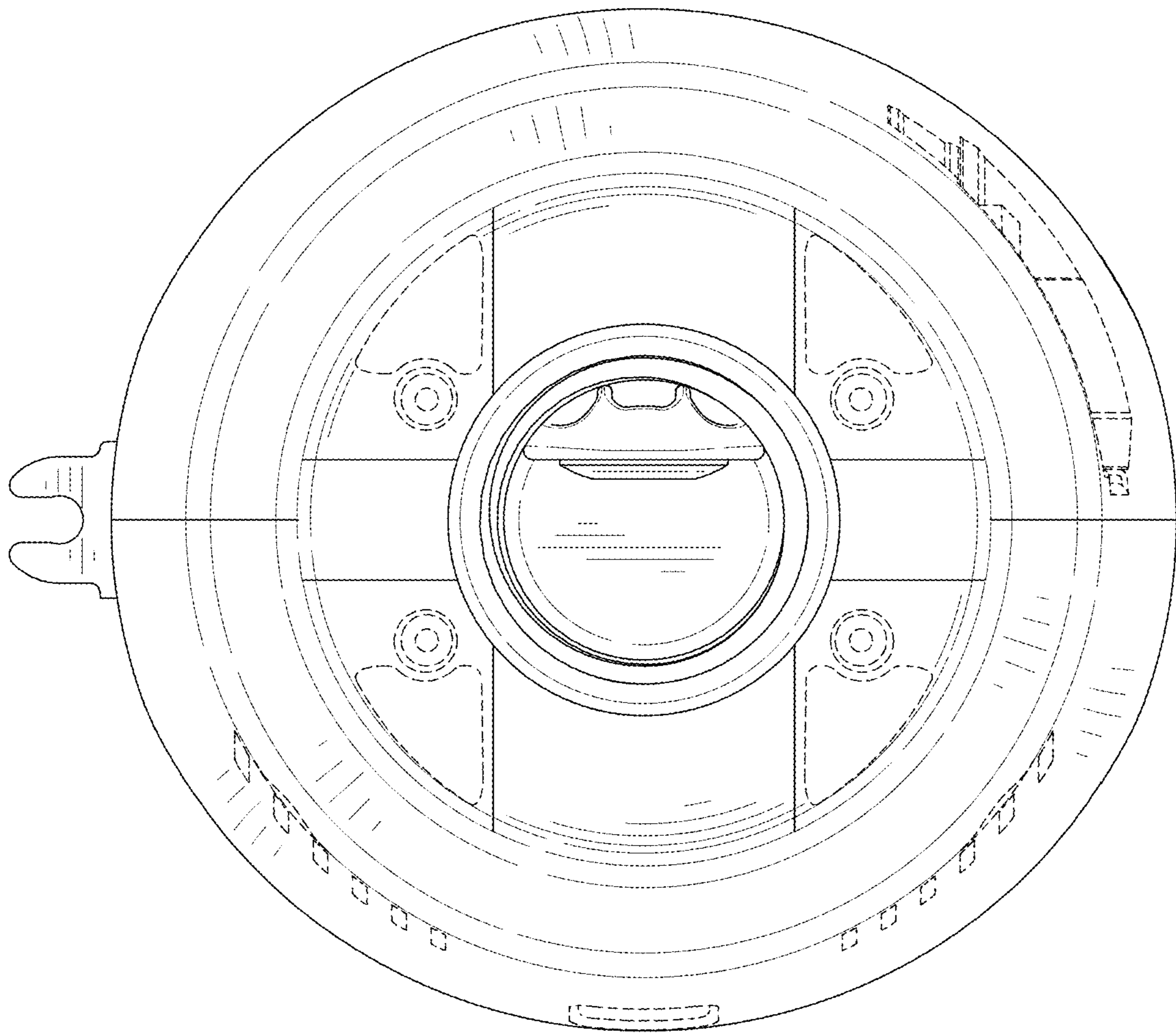


FIG. 7