

US00D869509S

(12) **United States Design Patent**
Huang et al.

(10) **Patent No.:** **US D869,509 S**

(45) **Date of Patent:** **** Dec. 10, 2019**

(54) **AIR PUMP**

(71) Applicant: **Intex Marketing Ltd.**, Tortola (VG)

(72) Inventors: **Zhi Xiong Huang**, Fujian (CN);
Yingbiao Zhang, Fujian (CN); **Yaw Yuan Hsu**, Fujian (CN); **James Sener**, Glastonbury, CT (US); **Christopher David Hageman**, Glastonbury, CT (US); **Scott Herman Smith**, Hartford, CT (US)

(73) Assignee: **Intex Marketing Ltd.**, Tortola (VG)

(**) Term: **15 Years**

(21) Appl. No.: **29/653,886**

(22) Filed: **Jun. 19, 2018**

(30) **Foreign Application Priority Data**

Dec. 20, 2017 (CN) 201730654802

(51) **LOC (12) Cl.** **15-02**

(52) **U.S. Cl.**
USPC **D15/7**

(58) **Field of Classification Search**
USPC D15/7-9; D23/231, 232, 225
CPC F02M 37/04; F02M 37/14; E03F 5/22;
F04B 53/92; F04B 1/005; F04D 13/06;
F04D 29/22; F04D 29/046; F04D
29/2266

See application file for complete search history.

(56) **References Cited**

U.S. PATENT DOCUMENTS

4,694,528 A * 9/1987 Comer A47L 5/14
15/330
D301,245 S * 5/1989 Hefling D15/7
D405,806 S * 2/1999 Poon D15/7
D420,011 S * 2/2000 Tsai D15/7
D425,914 S * 5/2000 Tsai D15/7

D431,697 S * 10/2000 Hayakawa D32/15
D435,049 S * 12/2000 Tsai D15/7
D453,342 S * 2/2002 Wu D15/7
D453,524 S * 2/2002 Wu D15/7
D479,722 S * 9/2003 Poon D15/7
D486,159 S * 2/2004 Poon D15/7
D487,752 S * 3/2004 Tsai D15/7
D491,196 S * 6/2004 Poon D15/7
D497,916 S * 11/2004 Tsai D15/7
D499,114 S * 11/2004 Poon D15/7
D553,646 S * 10/2007 Wu D15/7
D559,269 S * 1/2008 Wu D15/7
D771,713 S * 11/2016 Ye D15/7
D804,536 S * 12/2017 Bao D15/7
D807,402 S * 1/2018 Flora D15/7
D817,361 S * 5/2018 Weber D15/7
D840,437 S * 2/2019 Blaser D15/7

(Continued)

OTHER PUBLICATIONS

Intex, 2017 Comfort Collection Catalog, Electric Pumps, p. 72, Copyright 2016.

Primary Examiner — Mitchell I. Siegel

(74) *Attorney, Agent, or Firm* — Faegre Baker Daniels LLP

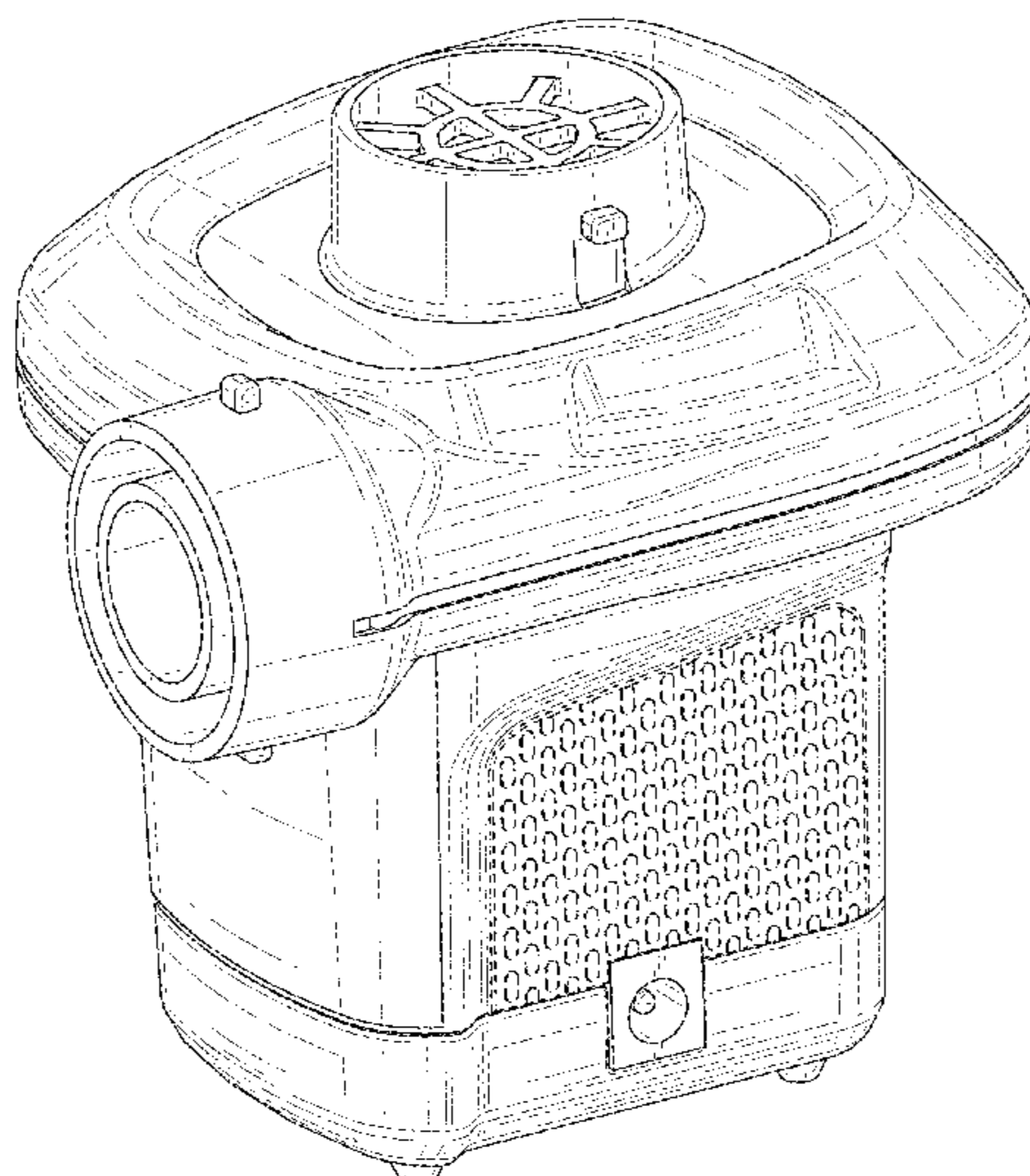
(57) **CLAIM**

We claim the ornamental design for an air pump, as shown and described.

DESCRIPTION

FIG. 1 is a perspective view of an air pump;
FIG. 2 is a front elevational view thereof;
FIG. 3 is a rear side elevational view thereof;
FIG. 4 is a left side elevational view thereof;
FIG. 5 is a right side elevational view thereof;
FIG. 6 is a top plan view thereof; and,
FIG. 7 is a bottom plan view thereof.
The broken lines in FIGS. 1-7 represent portions of the air pump that form no part of the claimed design.

1 Claim, 7 Drawing Sheets



(56)

References Cited

U.S. PATENT DOCUMENTS

D841,696 S * 2/2019 Blaser D15/7
D842,339 S * 3/2019 Bao D15/7

* cited by examiner

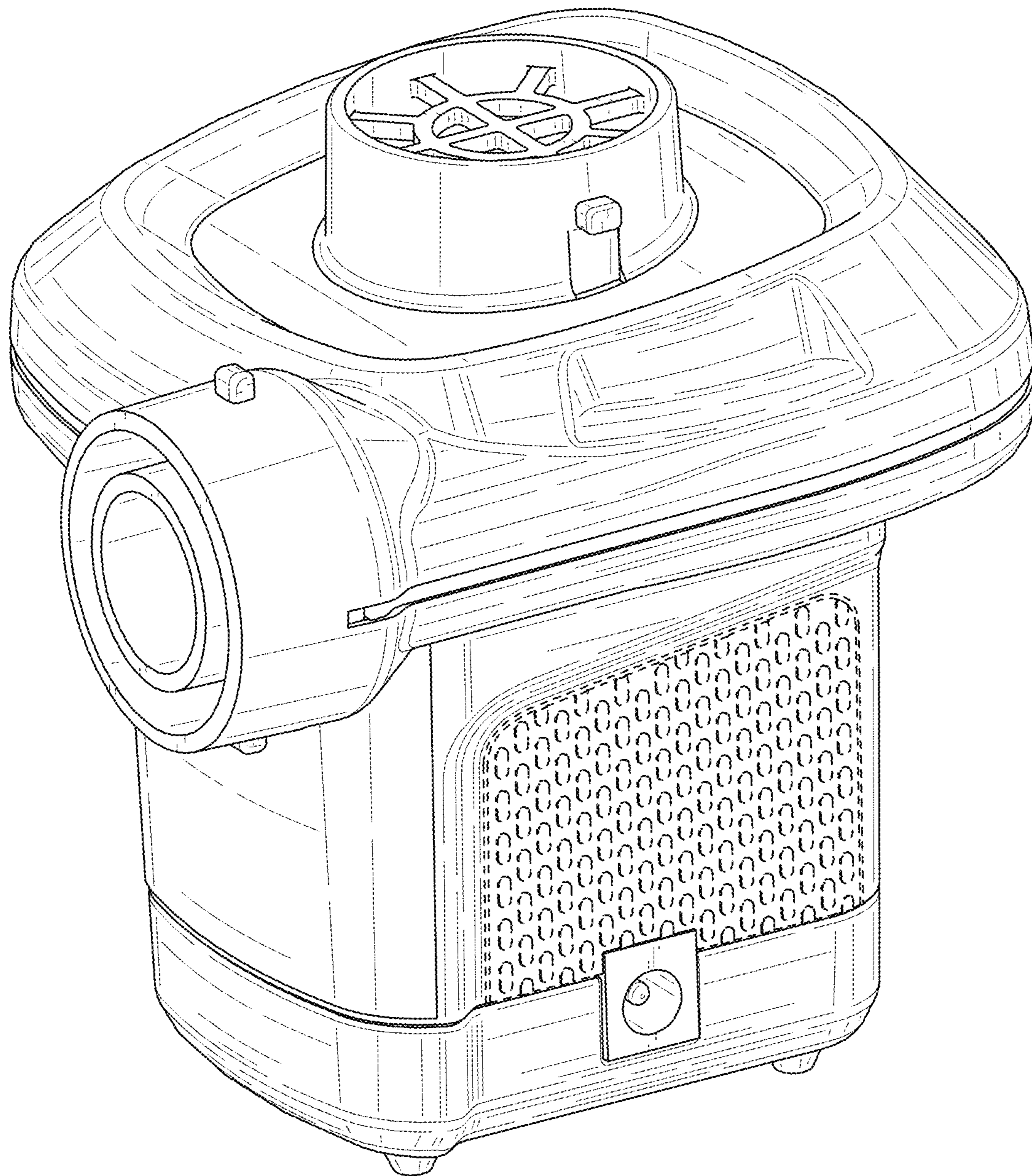


FIG. 1

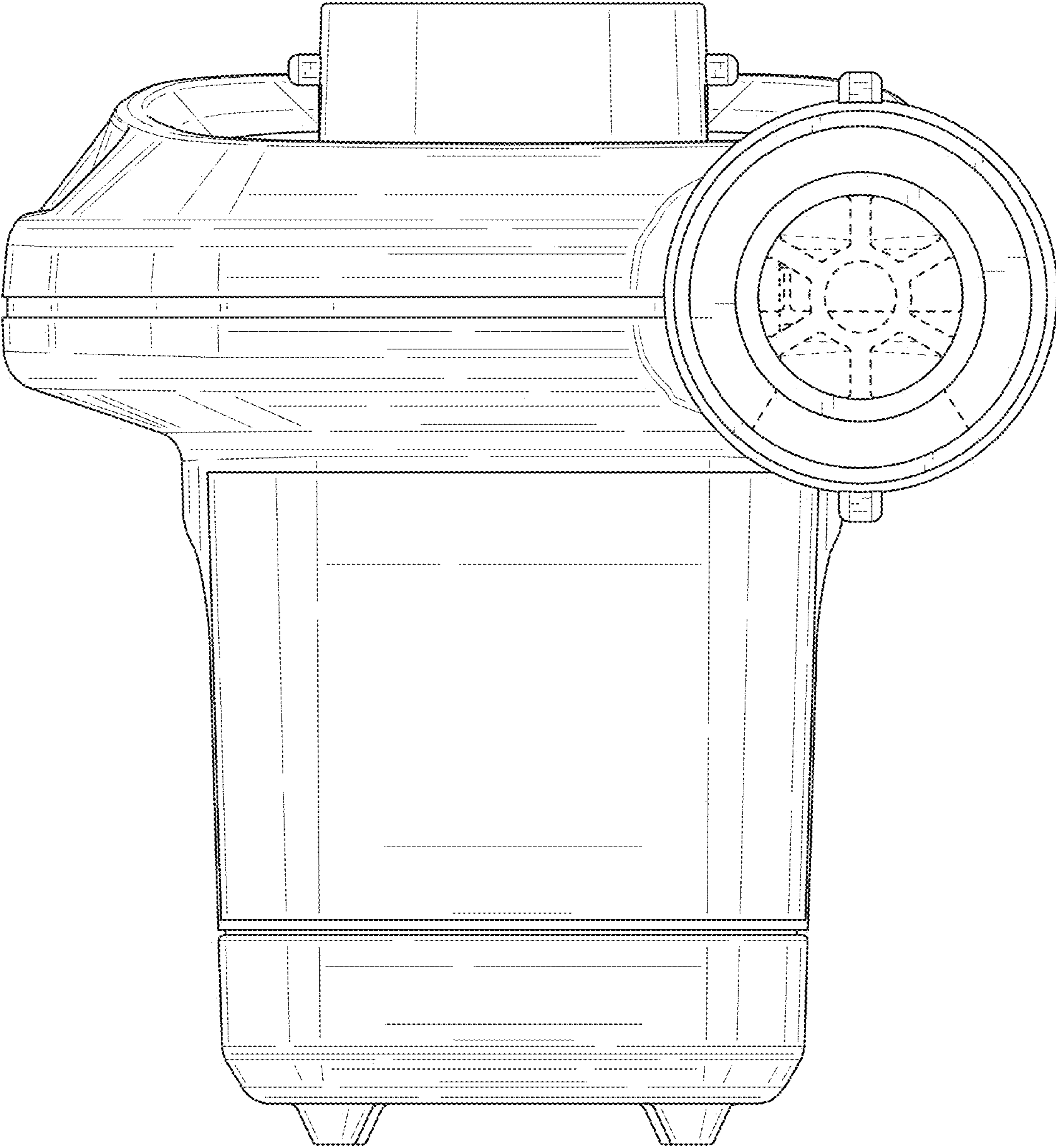


FIG. 2

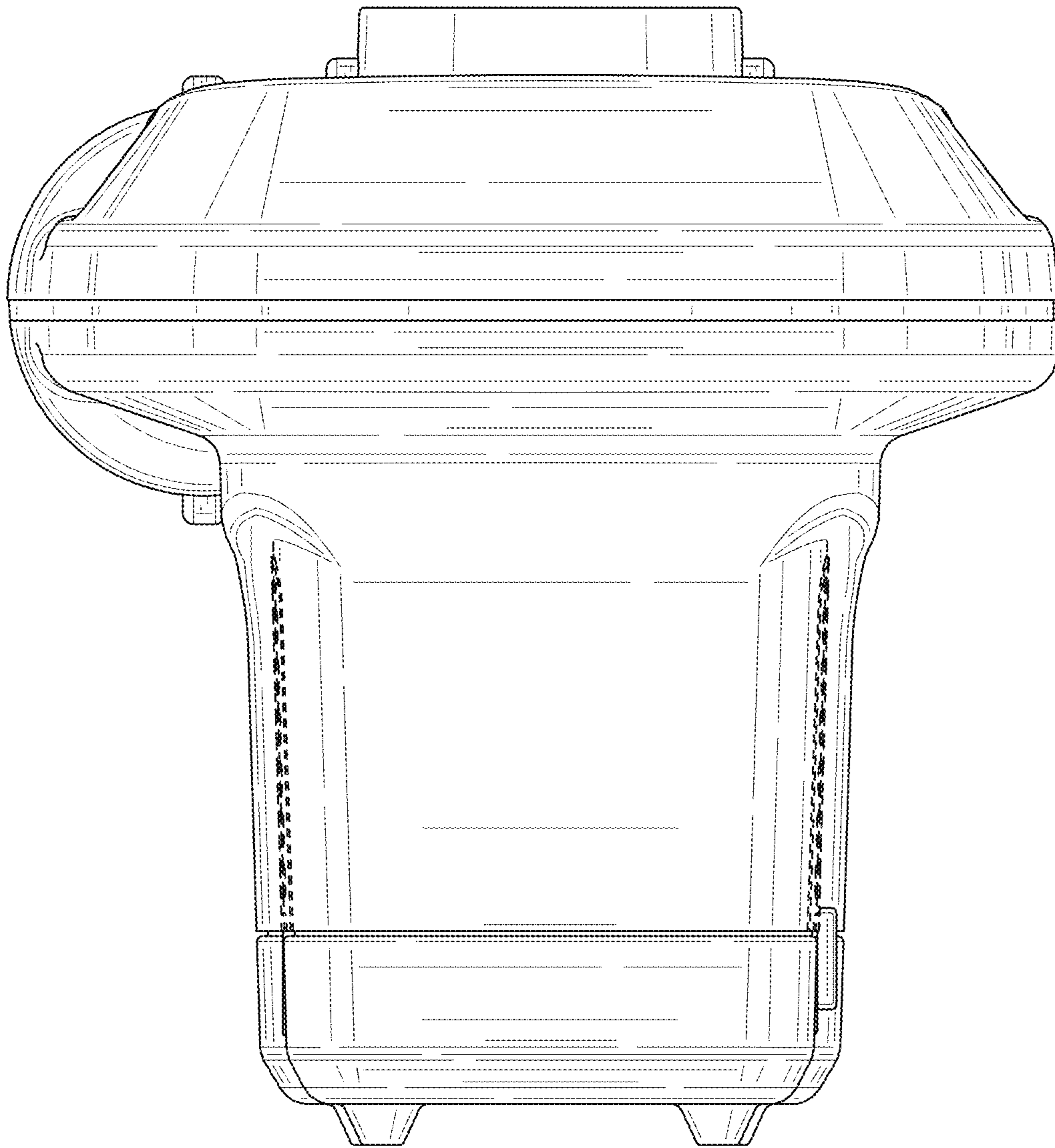


FIG. 3

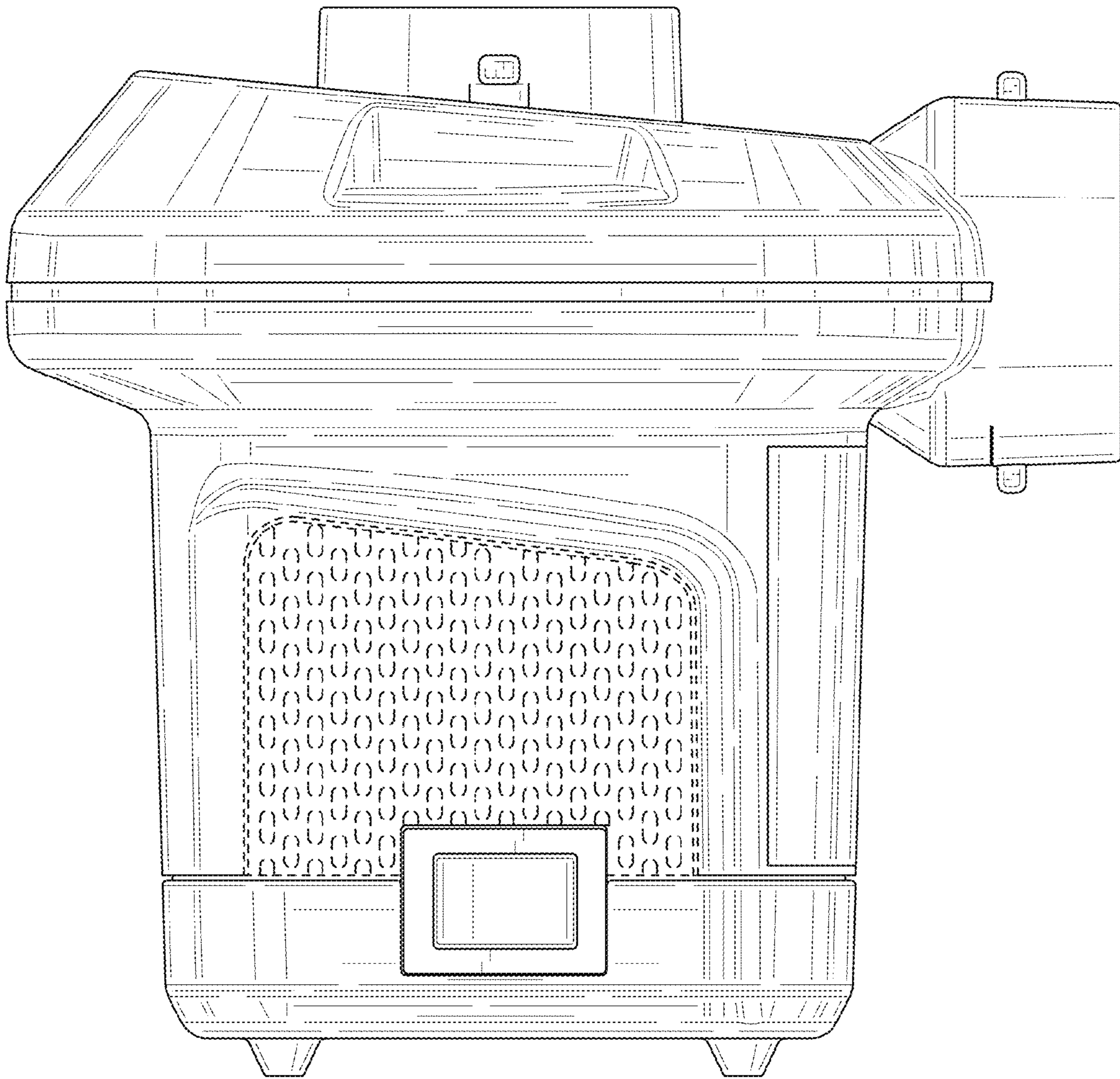


FIG. 4

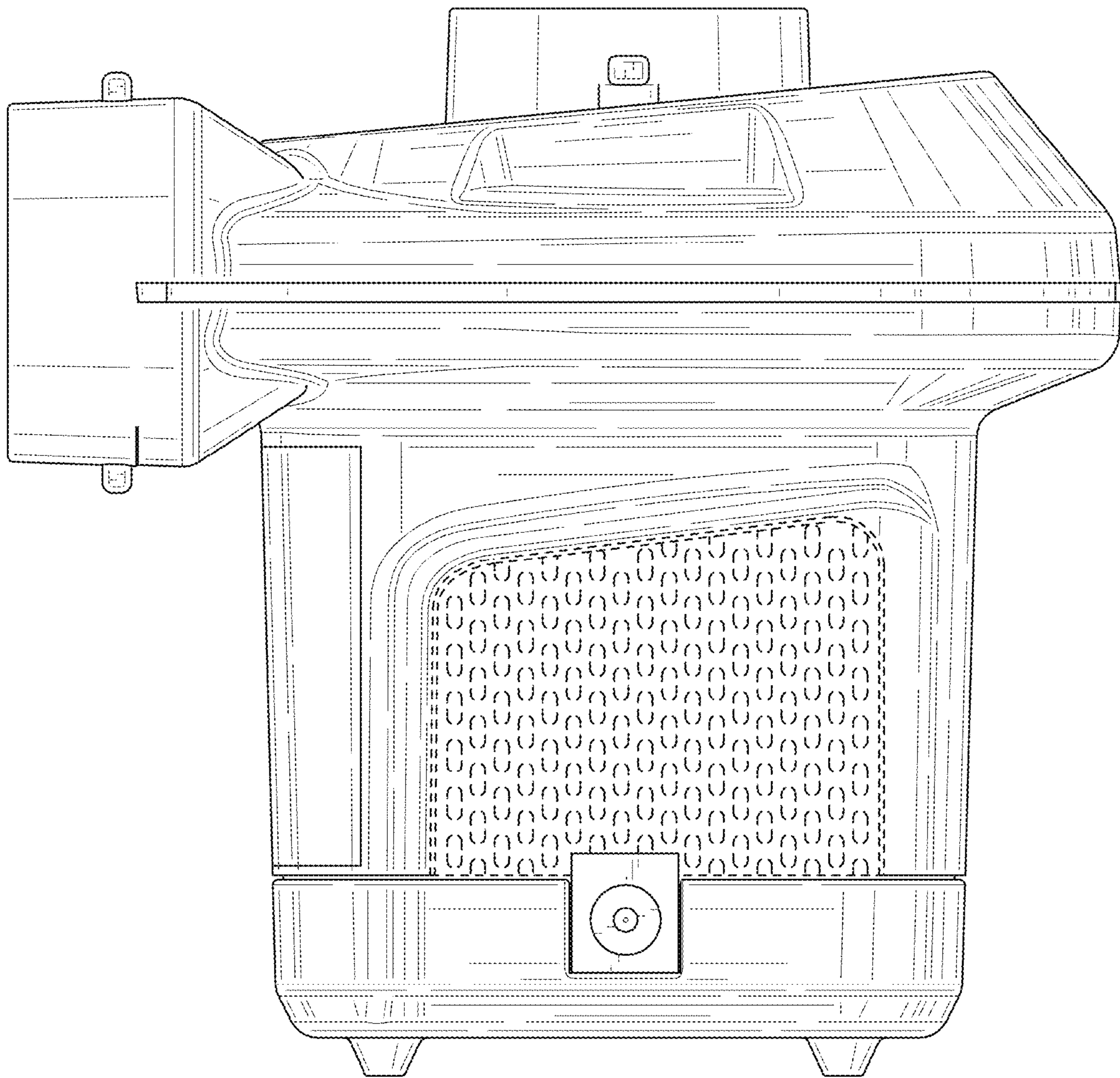


FIG. 5

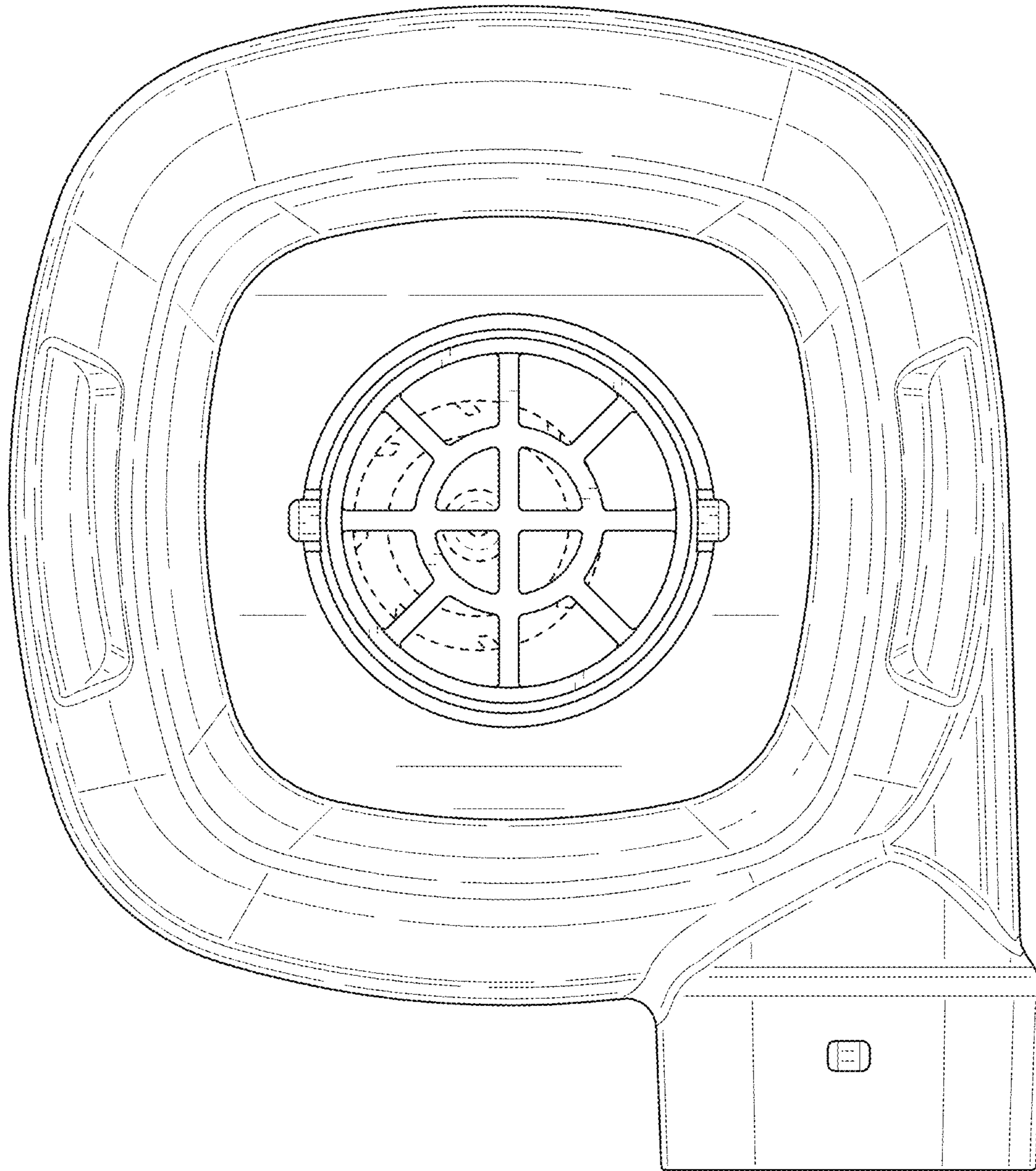


FIG. 6

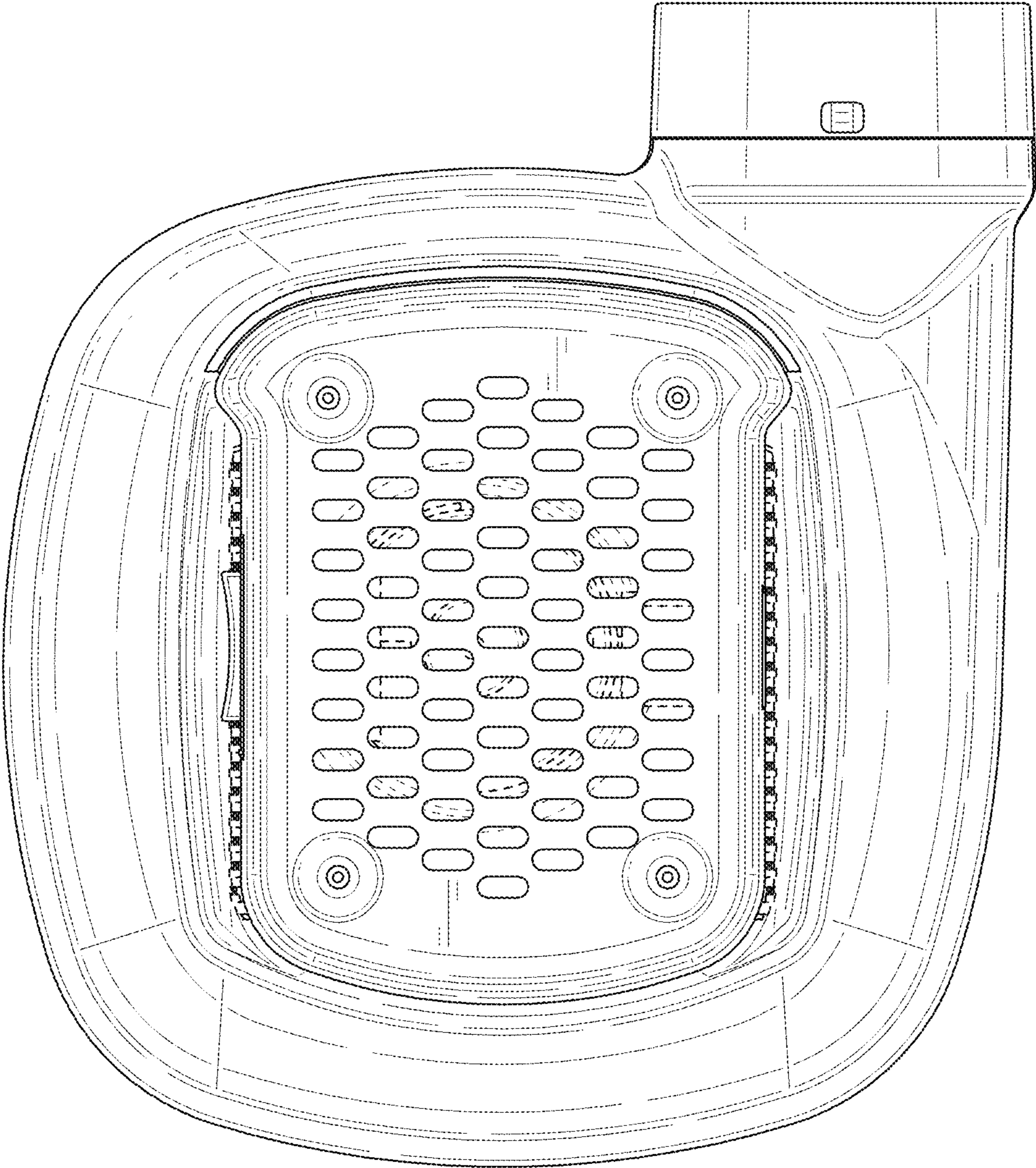


FIG. 7

UNITED STATES PATENT AND TRADEMARK OFFICE
CERTIFICATE OF CORRECTION

PATENT NO. : D869,509 S
APPLICATION NO. : 29/653886
DATED : December 10, 2019
INVENTOR(S) : Zhi Xiong Huang et al.

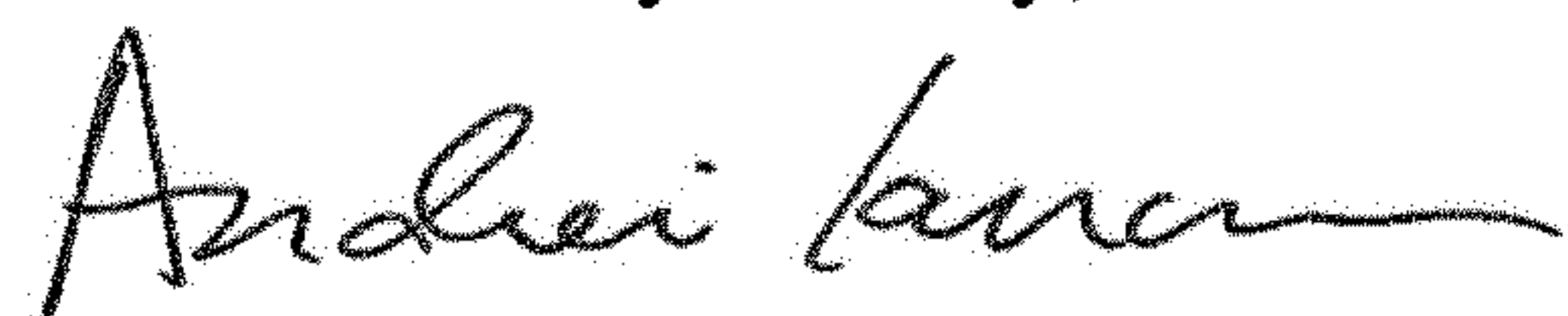
Page 1 of 1

It is certified that error appears in the above-identified patent and that said Letters Patent is hereby corrected as shown below:

On the Title Page

Column 1, under Foreign Application Priority Data, please amend the foreign priority reference number to read "201730654802.9".

Signed and Sealed this
Fifth Day of May, 2020



Andrei Iancu
Director of the United States Patent and Trademark Office