



US00D869508S

(12) **United States Design Patent** (10) **Patent No.:** **US D869,508 S**
Huang et al. (45) **Date of Patent:** **** Dec. 10, 2019**

(54) **AIR PUMP**

(71) Applicant: **Intex Marketing Ltd.**, Tortola (VG)

(72) Inventors: **Zhi Xiong Huang**, Fujian (CN);
Yingbiao Zhang, Fujian (CN); **Yaw Yuan Hsu**, Fujian (CN); **James Sener**, Glastonbury, CT (US); **Christopher David Hageman**, Glastonbury, CT (US); **Scott Herman Smith**, Hartford, CT (US)

(73) Assignee: **Intex Marketing Ltd.**, Tortola (VG)

(**) Term: **15 Years**

(21) Appl. No.: **29/653,884**

(22) Filed: **Jun. 19, 2018**

(30) **Foreign Application Priority Data**

Dec. 20, 2017 (CN) 201730655646

(51) **LOC (12) Cl.** **15-02**

(52) **U.S. Cl.**
USPC **D15/7**

(58) **Field of Classification Search**
USPC D15/7-9; D23/231, 232, 225
CPC F02M 37/04; F02M 37/14; E03F 5/22;
F04B 53/92; F04B 1/005; F04D 13/06;
F04D 29/22; F04D 29/046; F04D
29/2266

See application file for complete search history.

(56) **References Cited**

U.S. PATENT DOCUMENTS

4,694,528 A * 9/1987 Corner A47L 5/14
15/330
D301,245 S * 5/1989 Hefling D15/7
D405,806 S * 2/1999 Poon D15/7
D420,011 S * 2/2000 Tsai D15/7
D425,914 S * 5/2000 Tsai D15/7

D431,697 S * 10/2000 Hayakawa D32/15
D435,049 S * 12/2000 Tsai D15/7
D453,342 S * 2/2002 Wu D15/7
D453,524 S * 2/2002 Wu D15/7
D479,722 S * 9/2003 Poon D15/7
D486,159 S * 2/2004 Poon D15/7
D487,752 S * 3/2004 Tsai D15/7
D491,196 S * 6/2004 Poon D15/7
D497,916 S * 11/2004 Tsai D15/7
D499,114 S * 11/2004 Poon D15/7
D553,646 S * 10/2007 Wu D15/7
D559,269 S * 1/2008 Wu D15/7
D771,713 S * 11/2016 Ye D15/7
D804,536 S * 12/2017 Bao D15/7
D807,402 S * 1/2018 Flora D15/7
D817,361 S * 5/2018 Weber D15/7
D840,437 S * 2/2019 Blaser D15/7

(Continued)

OTHER PUBLICATIONS

Intex, 2017 Comfort Collection Catalog, Electric Pumps, p. 72, Copyright 2016.

Primary Examiner — Mitchell I. Siegel

(74) *Attorney, Agent, or Firm* — Faegre Baker Daniels LLP

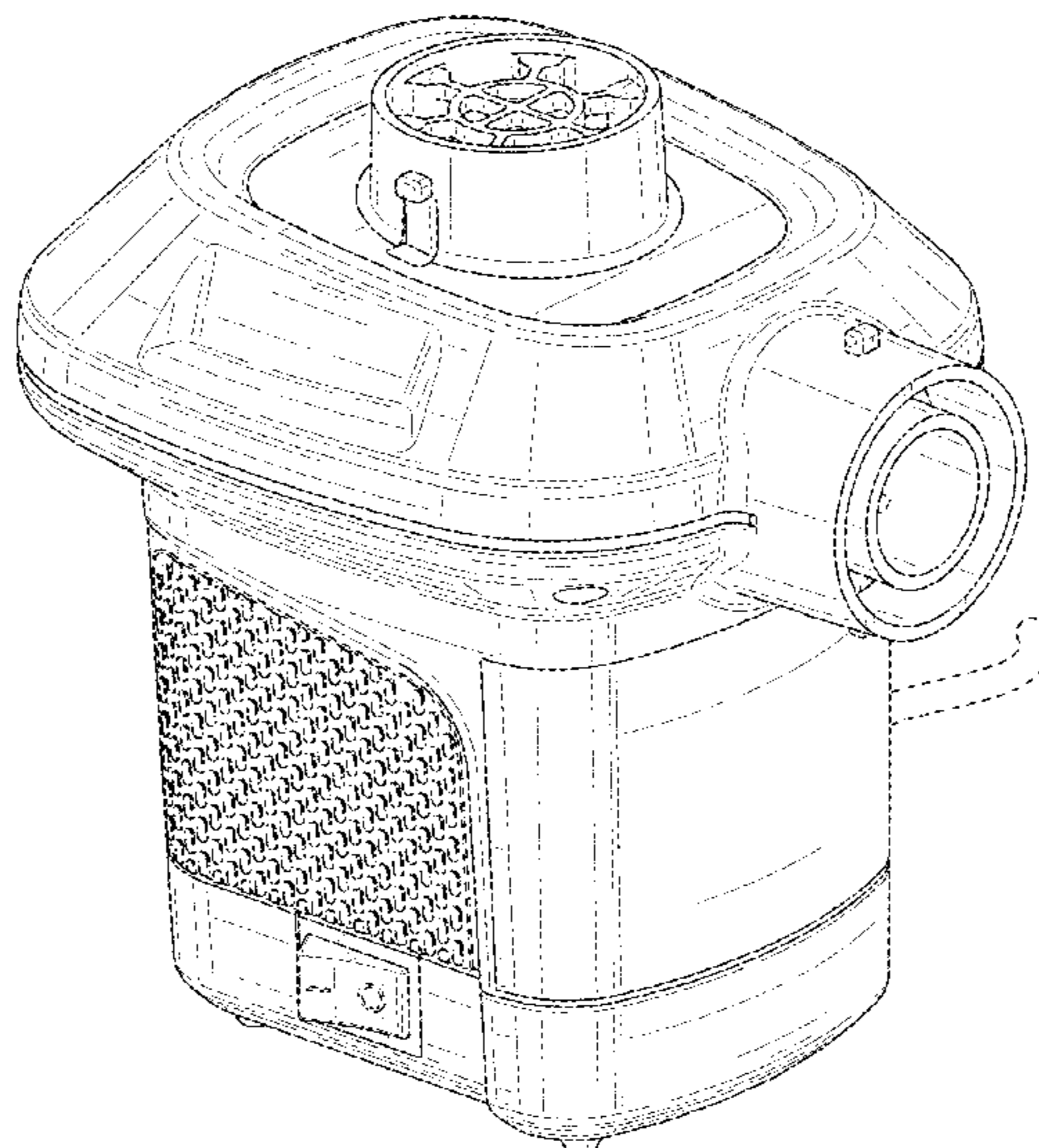
(57) **CLAIM**

We claim the ornamental design for an air pump, as shown and described.

DESCRIPTION

FIG. 1 is a perspective view of an air pump;
FIG. 2 is a front elevational view thereof;
FIG. 3 is a rear side elevational view thereof;
FIG. 4 is a left side elevational view thereof;
FIG. 5 is a right side elevational view thereof;
FIG. 6 is a top plan view thereof; and,
FIG. 7 is a bottom plan view thereof.
The broken lines in FIGS. 1-7 represent portions of the air pump that form no part of the claimed design.

1 Claim, 7 Drawing Sheets



(56)

References Cited

U.S. PATENT DOCUMENTS

D841,696 S * 2/2019 Blaser D15/7
D842,339 S * 3/2019 Bao D15/7

* cited by examiner

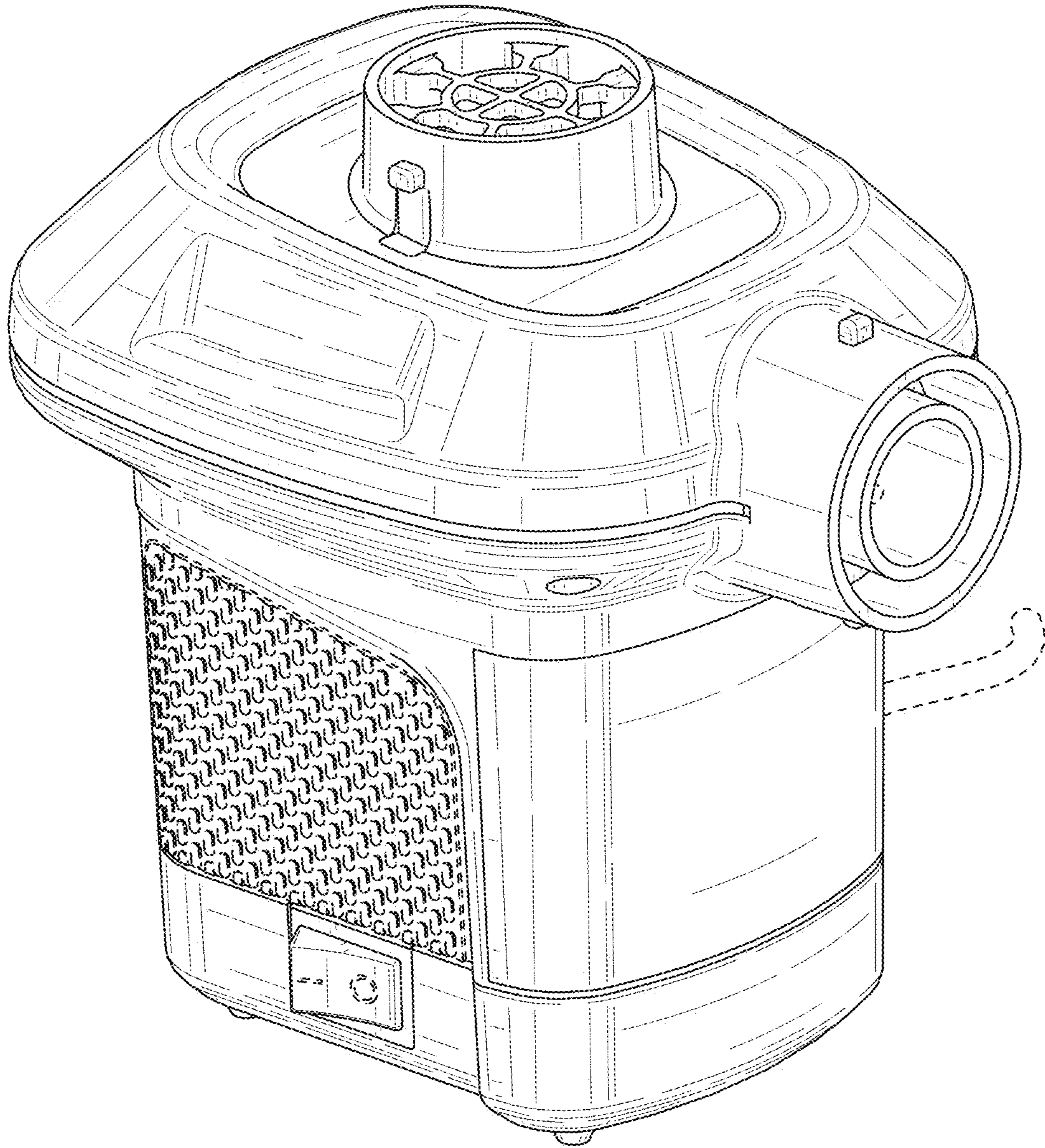


FIG. 1

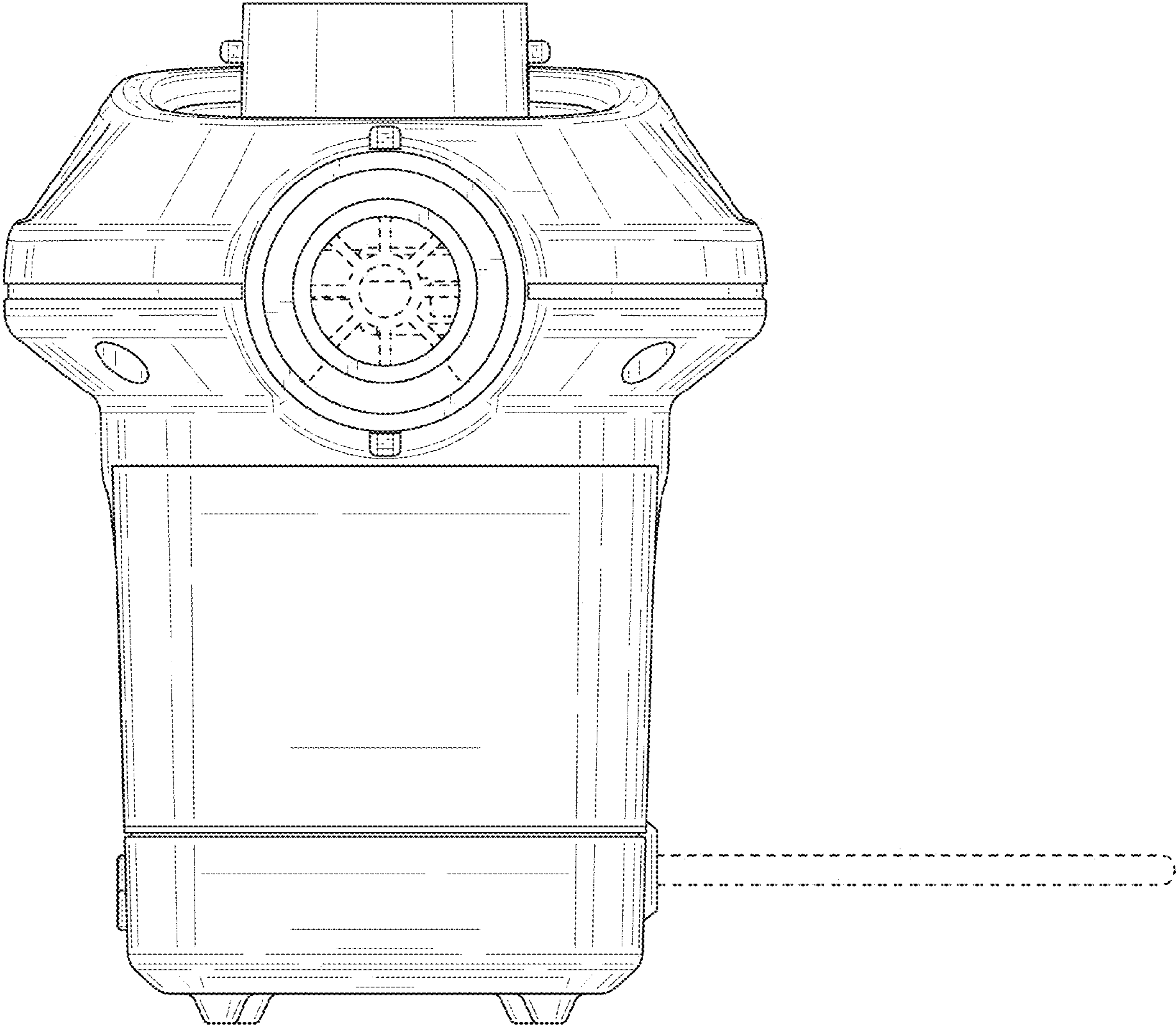


FIG. 2

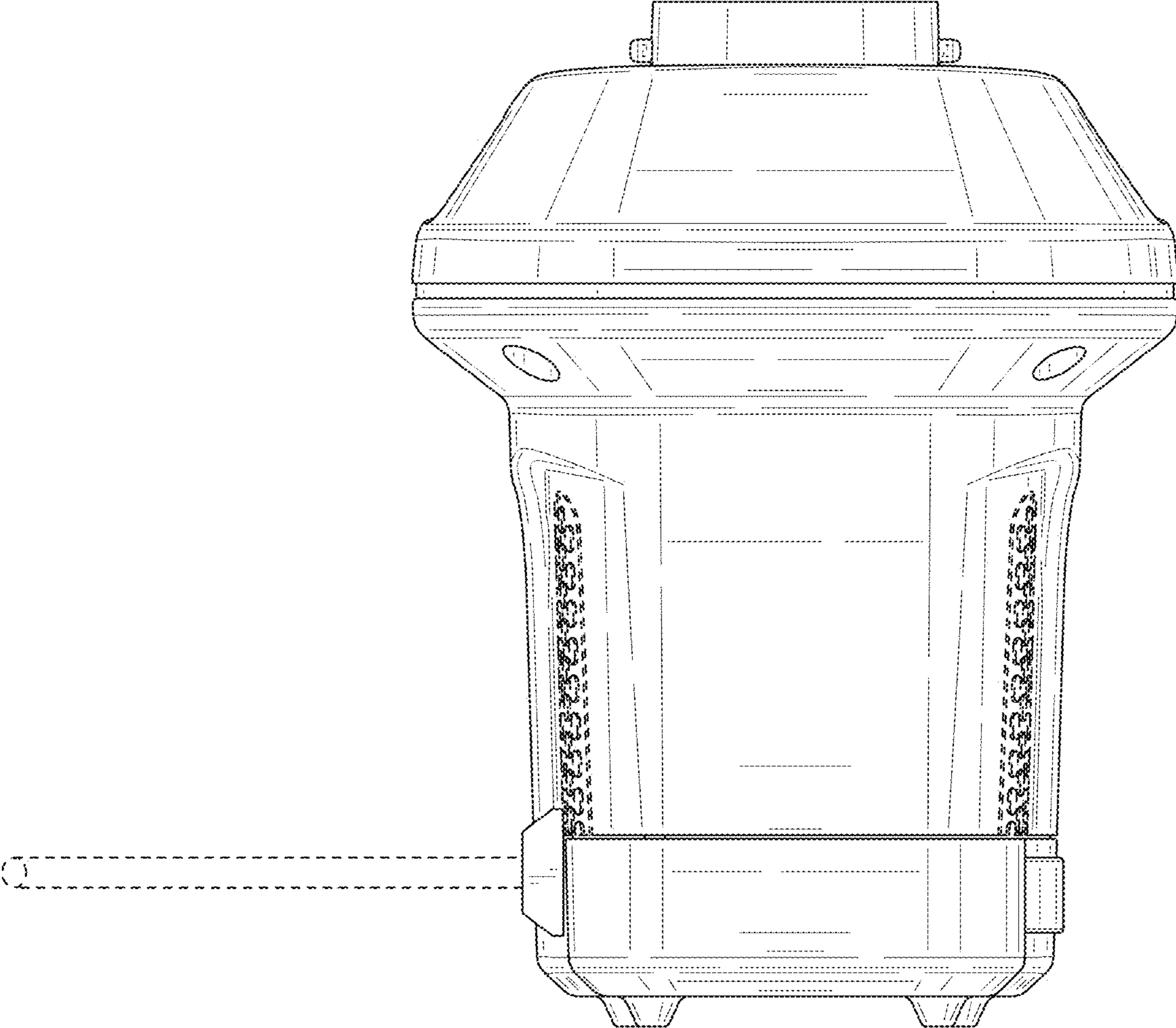


FIG. 3

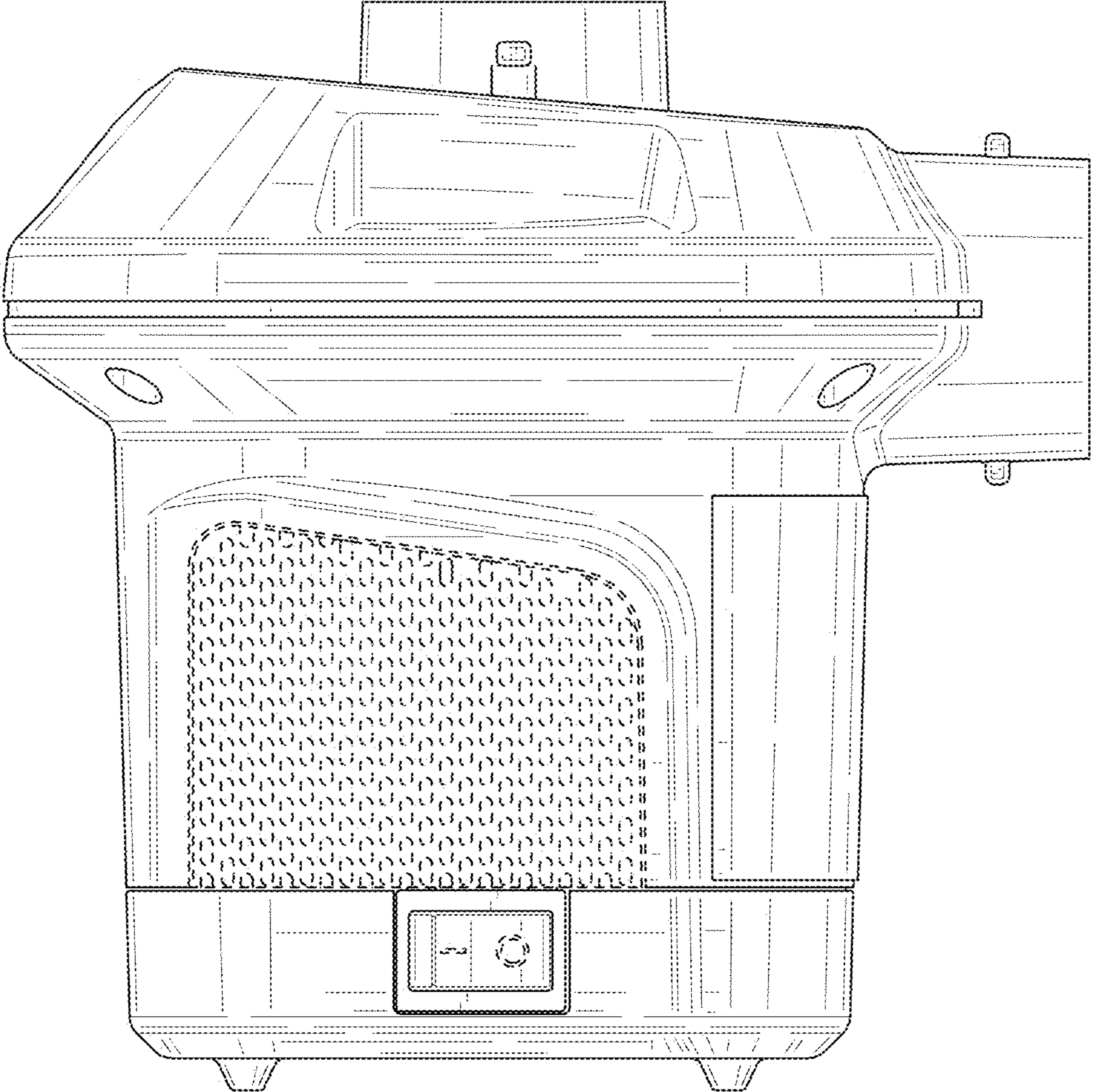


FIG. 4

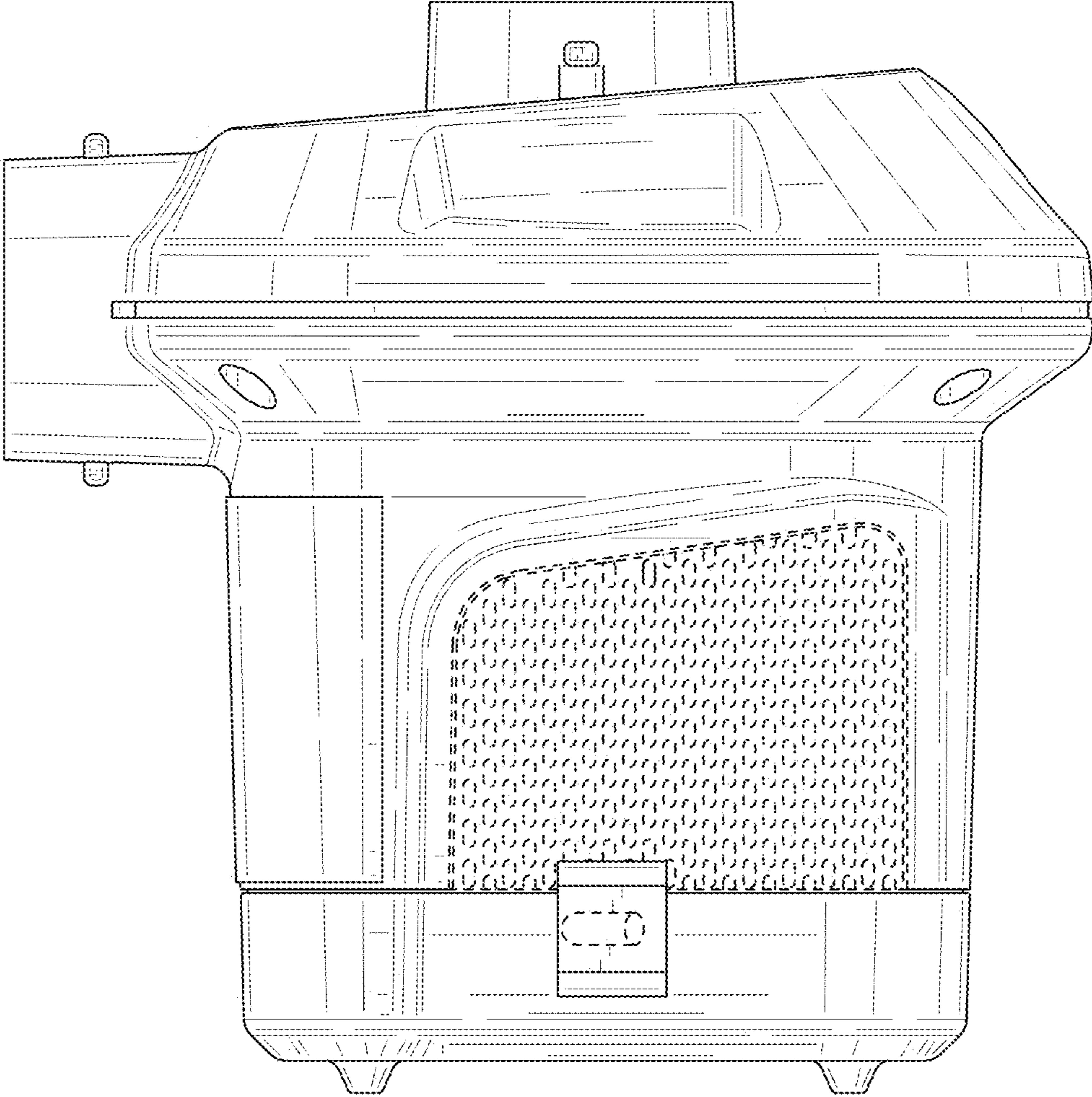


FIG. 5

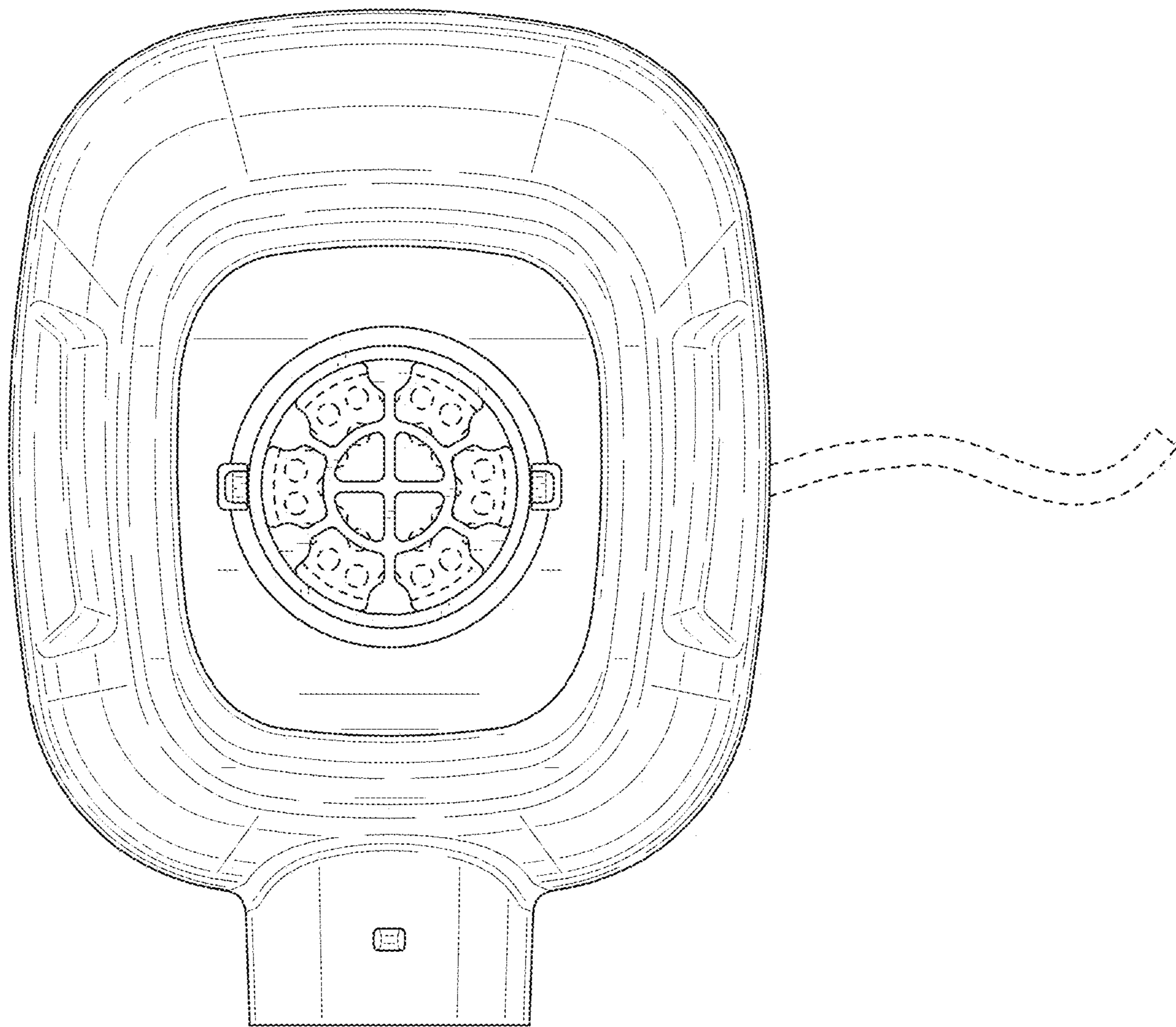


FIG. 6

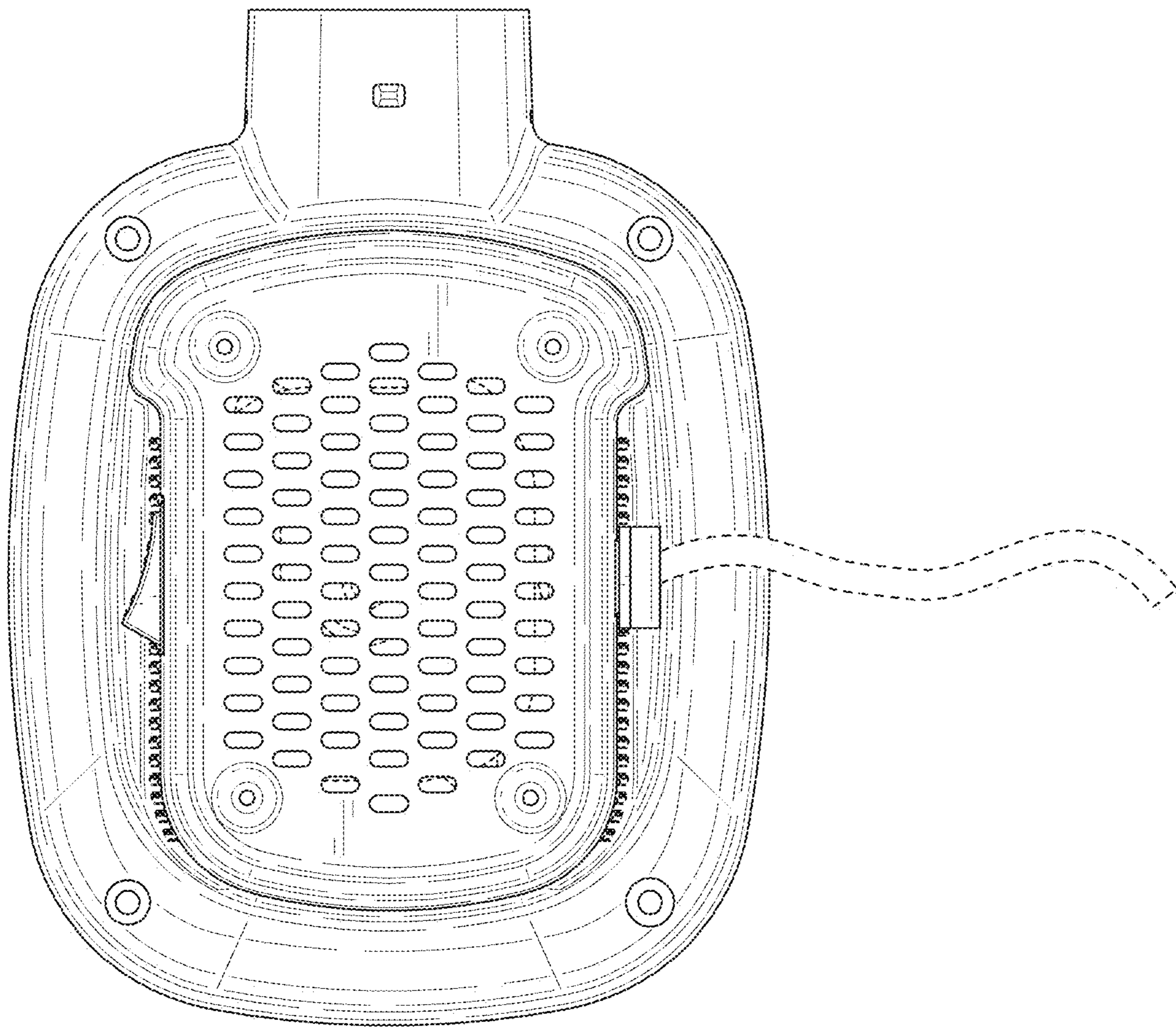


FIG. 7

UNITED STATES PATENT AND TRADEMARK OFFICE
CERTIFICATE OF CORRECTION

PATENT NO. : D869,508 S
APPLICATION NO. : 29/653884
DATED : December 10, 2019
INVENTOR(S) : Zhi Xiong Huang et al.

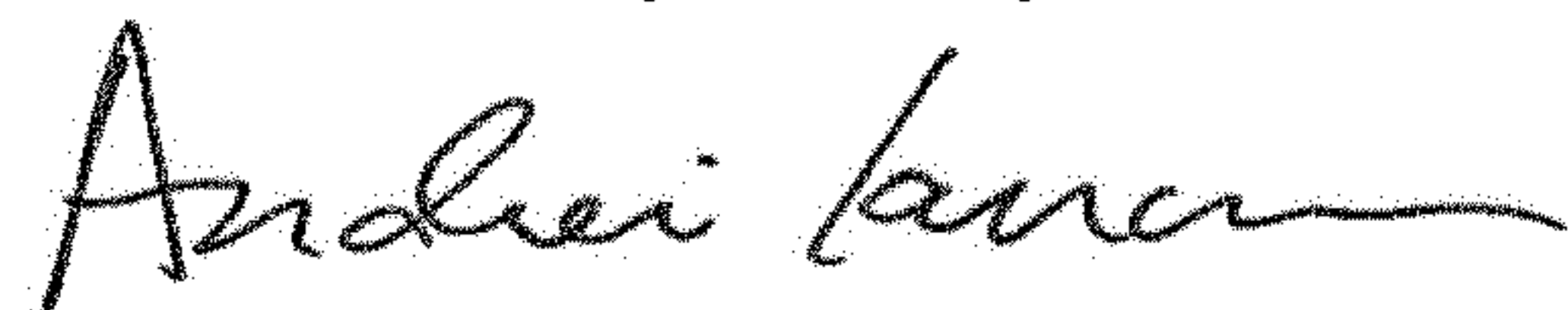
Page 1 of 1

It is certified that error appears in the above-identified patent and that said Letters Patent is hereby corrected as shown below:

On the Title Page

Column 1, under Foreign Application Priority Data, the foreign priority reference number should read:
"201730655646.8".

Signed and Sealed this
Fifth Day of May, 2020



Andrei Iancu
Director of the United States Patent and Trademark Office