



US00D869507S

(12) **United States Design Patent** (10) **Patent No.:** **US D869,507 S**  
**Huang et al.** (45) **Date of Patent:** **\*\* Dec. 10, 2019**

(54) **AIR PUMP**

(71) Applicant: **Intex Marketing Ltd.**, Tortola (VG)

(72) Inventors: **Zhi Xiong Huang**, Fujian (CN);  
**Yingbiao Zhang**, Fujian (CN); **Yaw Yuan Hsu**, Fujian (CN); **James Sener**, Glastonbury, CT (US); **Christopher David Hageman**, Glastonbury, CT (US); **Scott Herman Smith**, Hartford, CT (US)

(73) Assignee: **Intex Marketing Ltd.**, Tortola (VG)

(\*\*) Term: **15 Years**

(21) Appl. No.: **29/653,882**

(22) Filed: **Jun. 19, 2018**

(30) **Foreign Application Priority Data**

Dec. 20, 2017 (CN) ..... 2017 30 655646

(51) **LOC (12) Cl.** ..... **15-02**

(52) **U.S. Cl.**  
USPC ..... **D15/7**

(58) **Field of Classification Search**  
USPC ..... D15/7-9; D23/231, 232, 225  
CPC ..... F02M 37/04; F02M 37/14; E03F 5/22;  
F04B 53/92; F04B 1/005; F04D 13/06;  
F04D 29/22; F04D 29/046; F04D  
29/2266

See application file for complete search history.

(56) **References Cited**

**U.S. PATENT DOCUMENTS**

4,694,528 A \* 9/1987 Corner ..... A47L 5/14  
15/330  
D301,245 S \* 5/1989 Hefling ..... D15/7  
D405,806 S \* 2/1999 Poon ..... D15/7  
D420,011 S \* 2/2000 Tsai ..... D15/7  
D425,914 S \* 5/2000 Tsai ..... D15/7

D431,697 S \* 10/2000 Hayakawa ..... D32/15  
D435,049 S \* 12/2000 Tsai ..... D15/7  
D453,342 S \* 2/2002 Wu ..... D15/7  
D453,524 S \* 2/2002 Wu ..... D15/7  
D479,722 S \* 9/2003 Poon ..... D15/7  
D486,159 S \* 2/2004 Poon ..... D15/7  
D487,752 S \* 3/2004 Tsai ..... D15/7  
D491,196 S \* 6/2004 Poon ..... D15/7  
D497,916 S \* 11/2004 Tsai ..... D15/7  
D499,114 S \* 11/2004 Poon ..... D15/7  
D553,646 S \* 10/2007 Wu ..... D15/7  
D559,269 S \* 1/2008 Wu ..... D15/7  
D771,713 S \* 11/2016 Ye ..... D15/7  
D804,536 S \* 12/2017 Bao ..... D15/7  
D807,402 S \* 1/2018 Flora ..... D15/7  
D817,361 S \* 5/2018 Weber ..... D15/7  
D840,437 S \* 2/2019 Blaser ..... D15/7

(Continued)

**OTHER PUBLICATIONS**

Intex, 2017 Comfort Collection Catalog, Electric Pumps, p. 72, Copyright 2016.

*Primary Examiner* — Mitchell I. Siegel

(74) *Attorney, Agent, or Firm* — Faegre Baker Daniels LLP

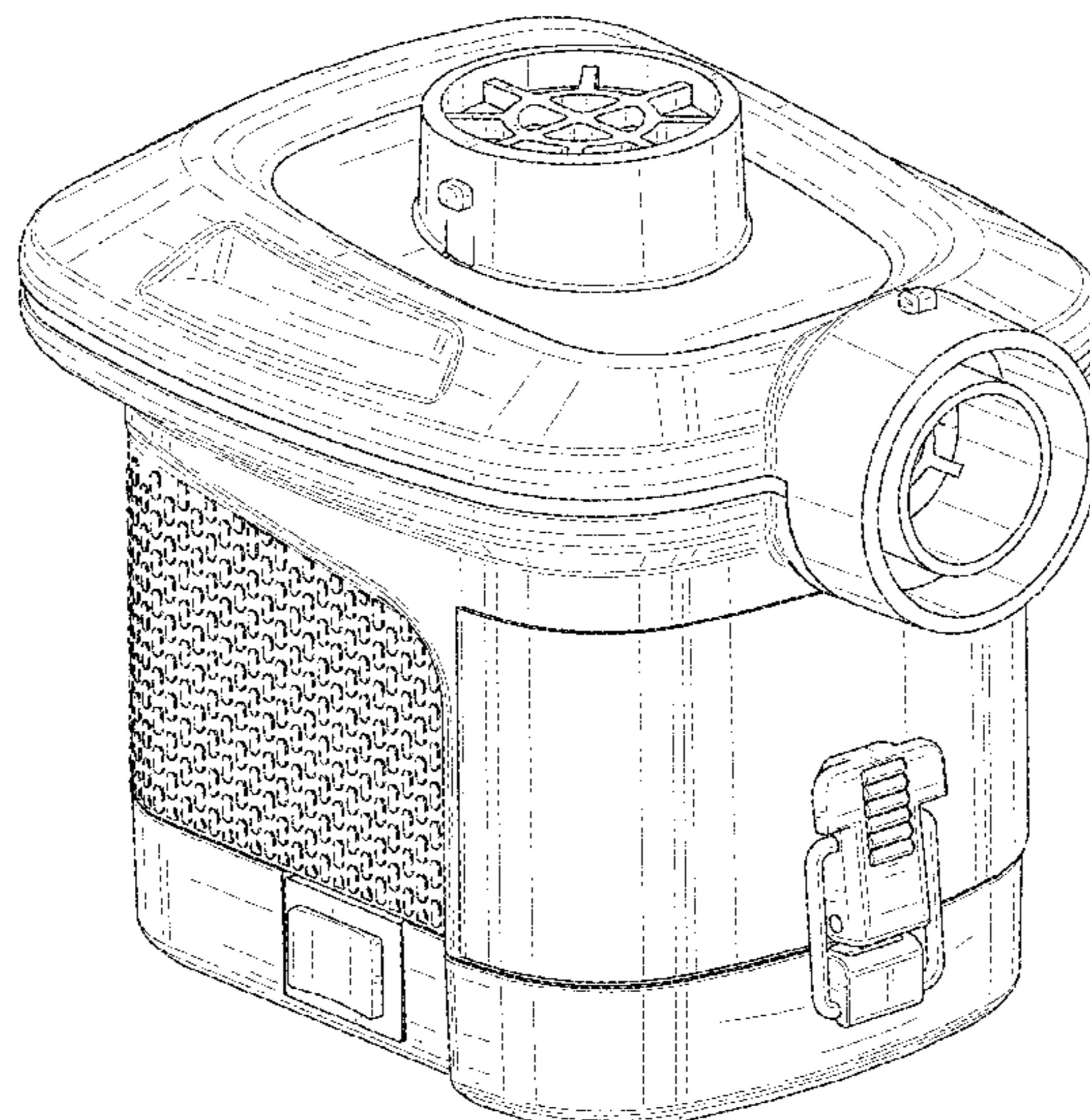
(57) **CLAIM**

We claim the ornamental design for an air pump, as shown and described.

**DESCRIPTION**

FIG. 1 is a perspective view of an air pump;  
FIG. 2 is a front elevational view thereof;  
FIG. 3 is a rear side elevational view thereof;  
FIG. 4 is a left side elevational view thereof;  
FIG. 5 is a right side elevational view thereof;  
FIG. 6 is a top plan view thereof; and,  
FIG. 7 is a bottom plan view thereof.  
The broken lines in FIGS. 1-7 represent portions of the air pump that form no part of the claimed design.

**1 Claim, 7 Drawing Sheets**



(56)

**References Cited**

U.S. PATENT DOCUMENTS

D841,696 S \* 2/2019 Blaser ..... D15/7  
D842,339 S \* 3/2019 Bao ..... D15/7

\* cited by examiner

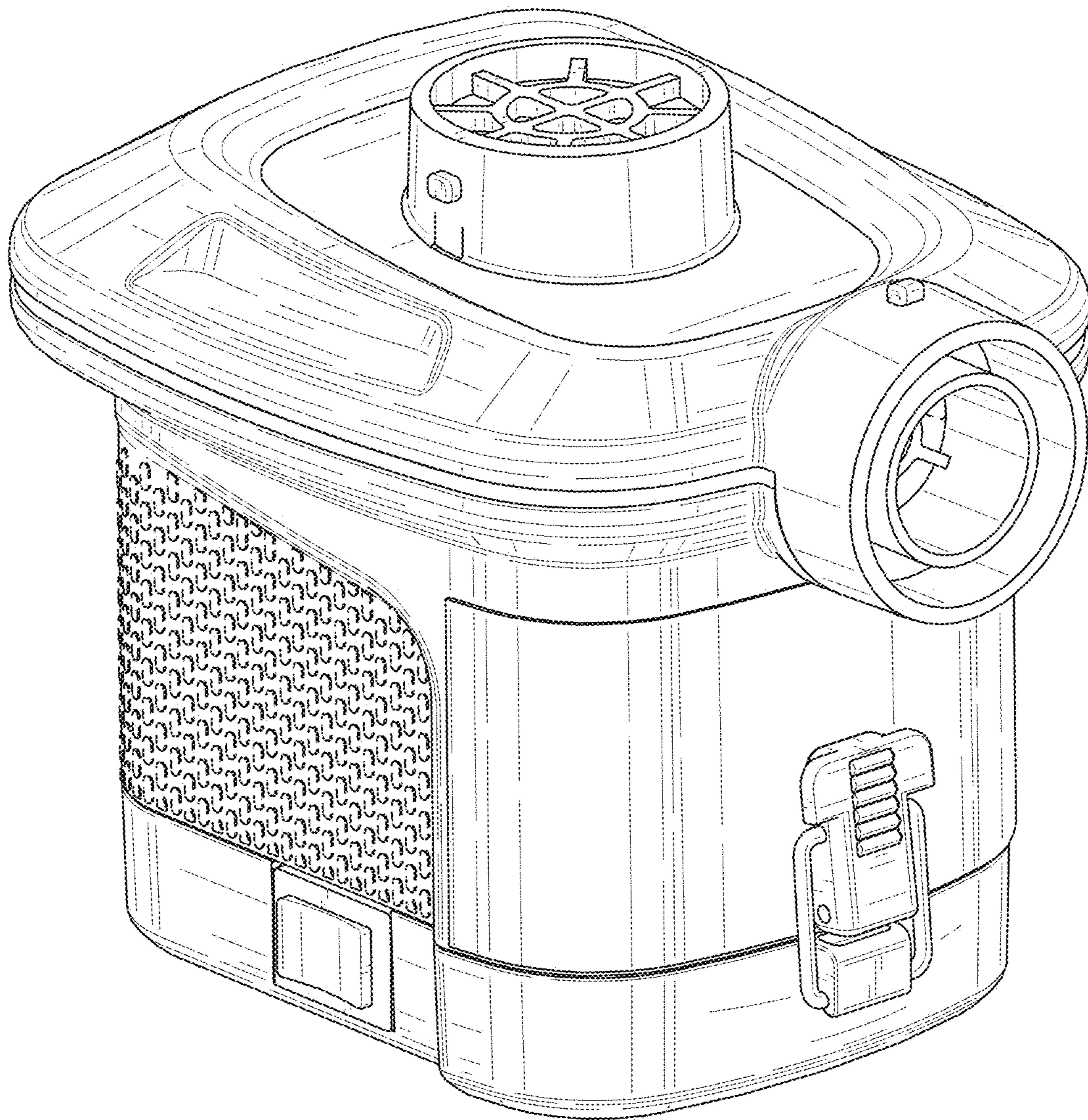


FIG. 1



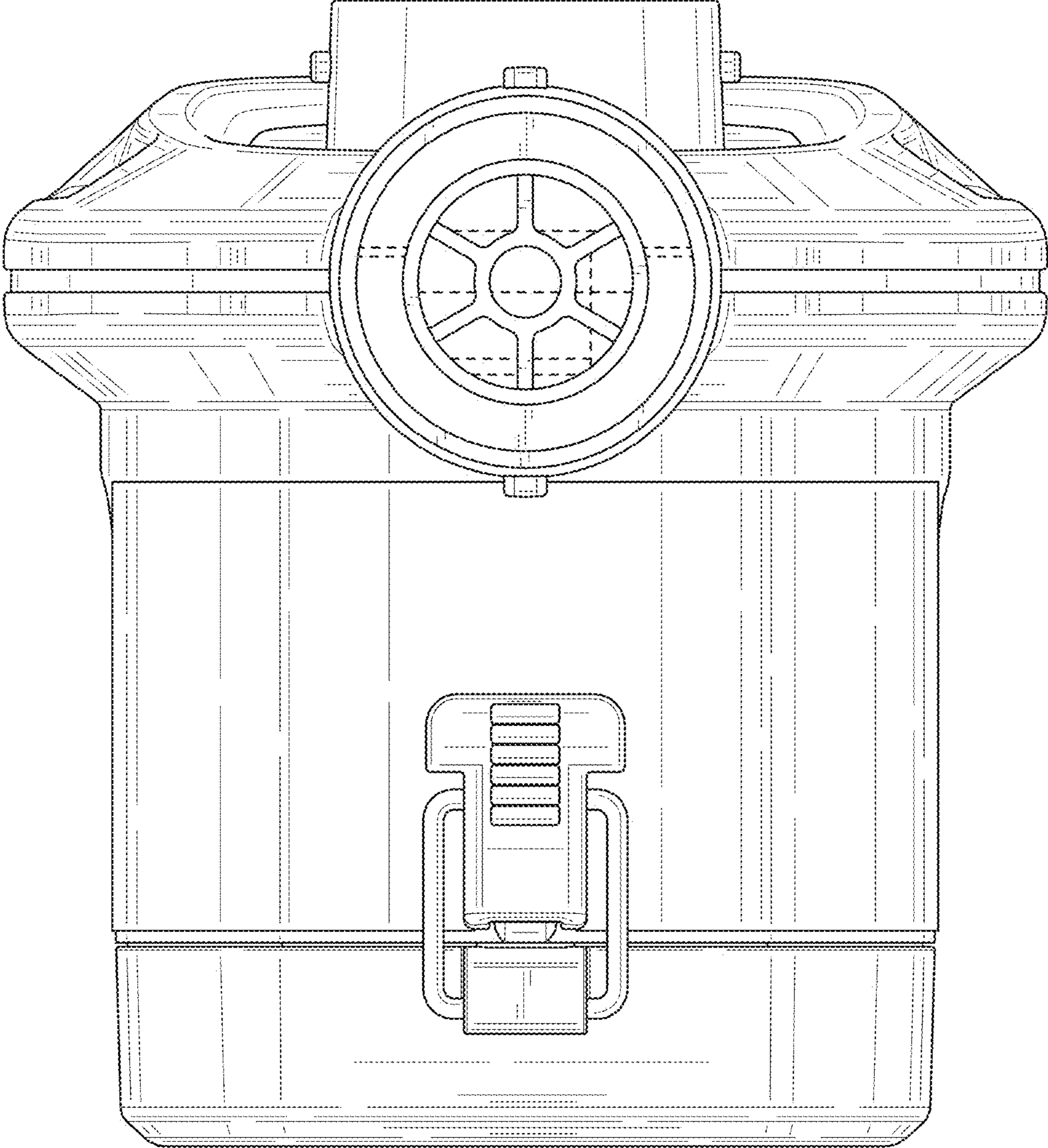


FIG. 2

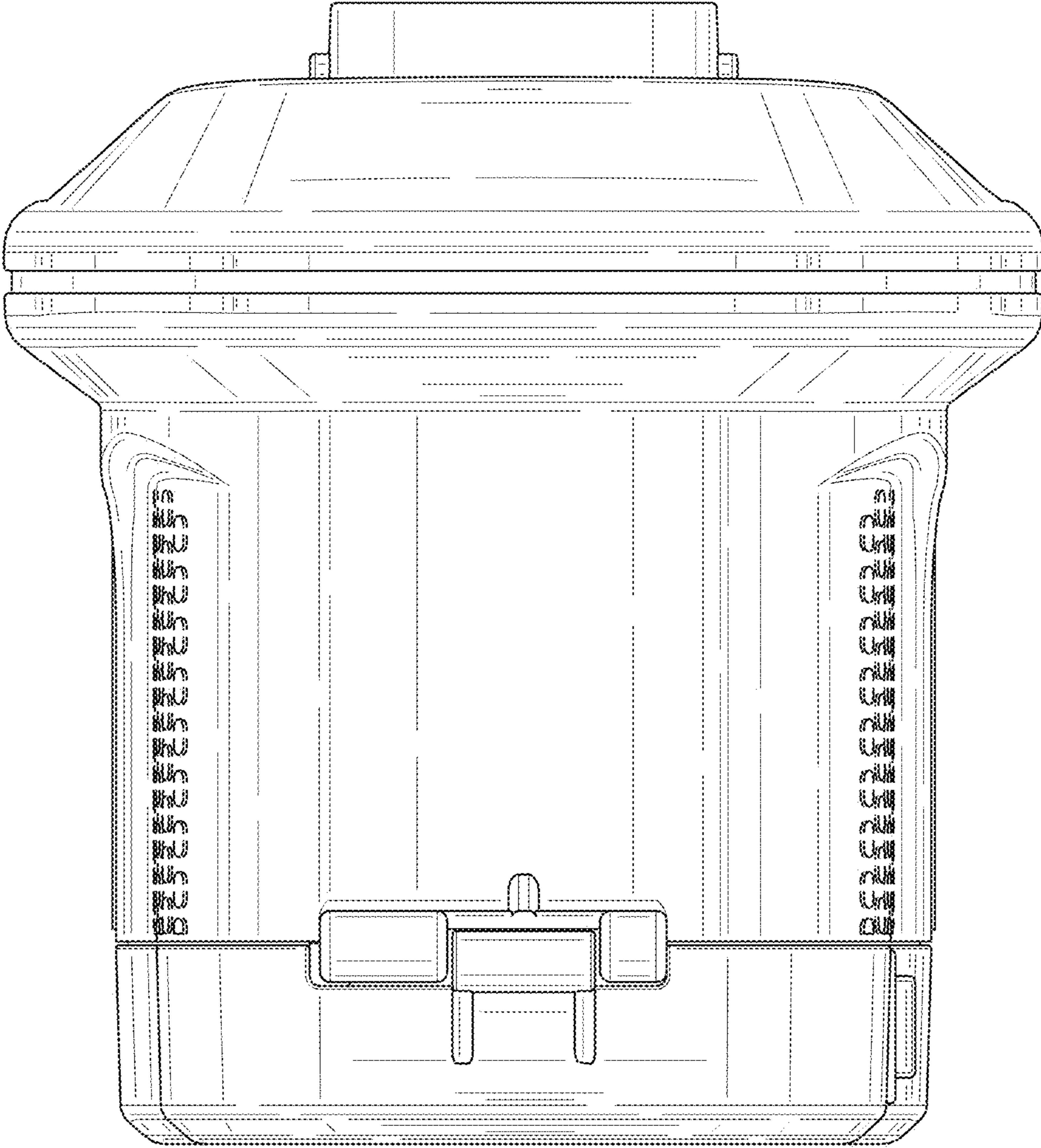


FIG. 3

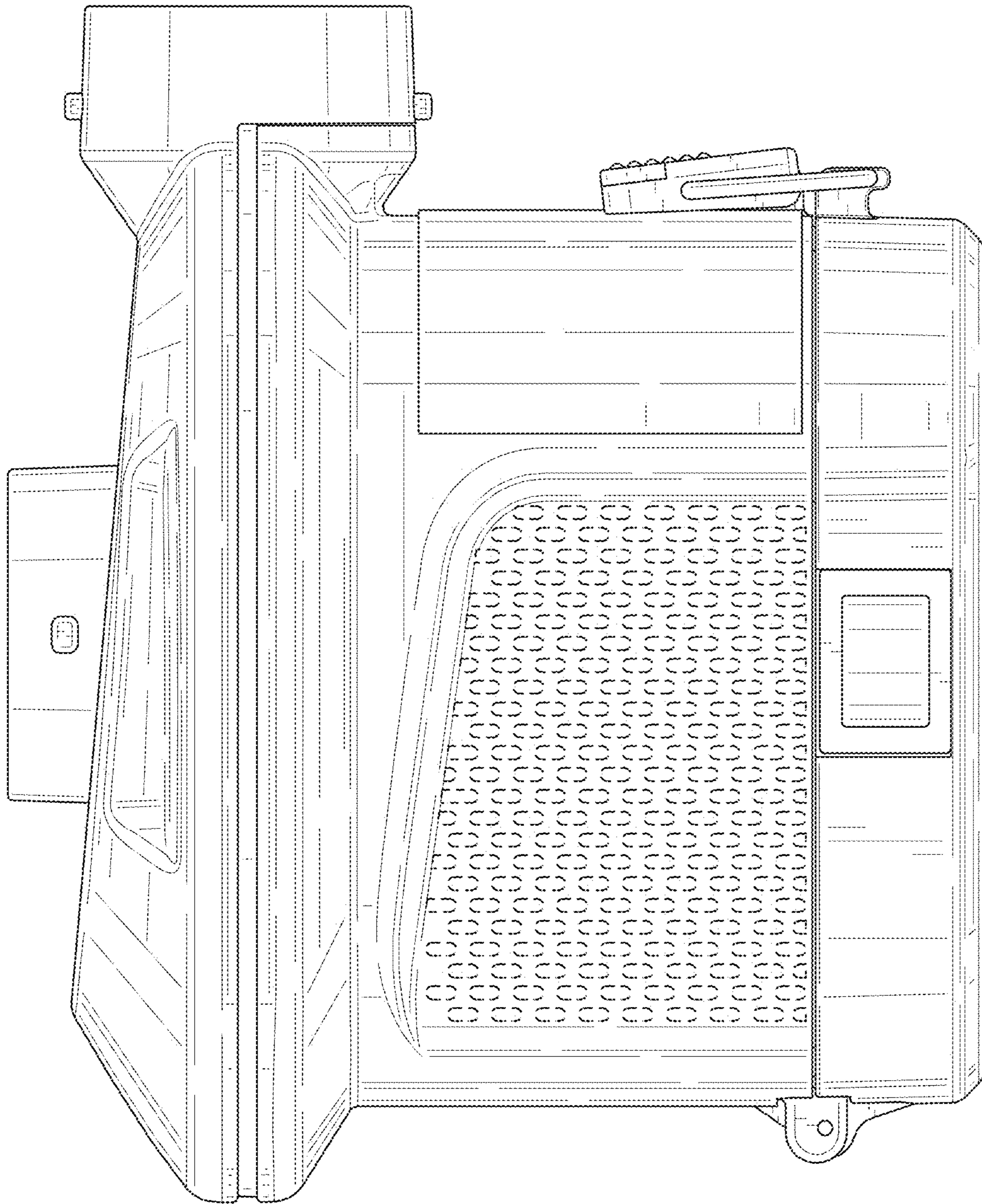


FIG. 4



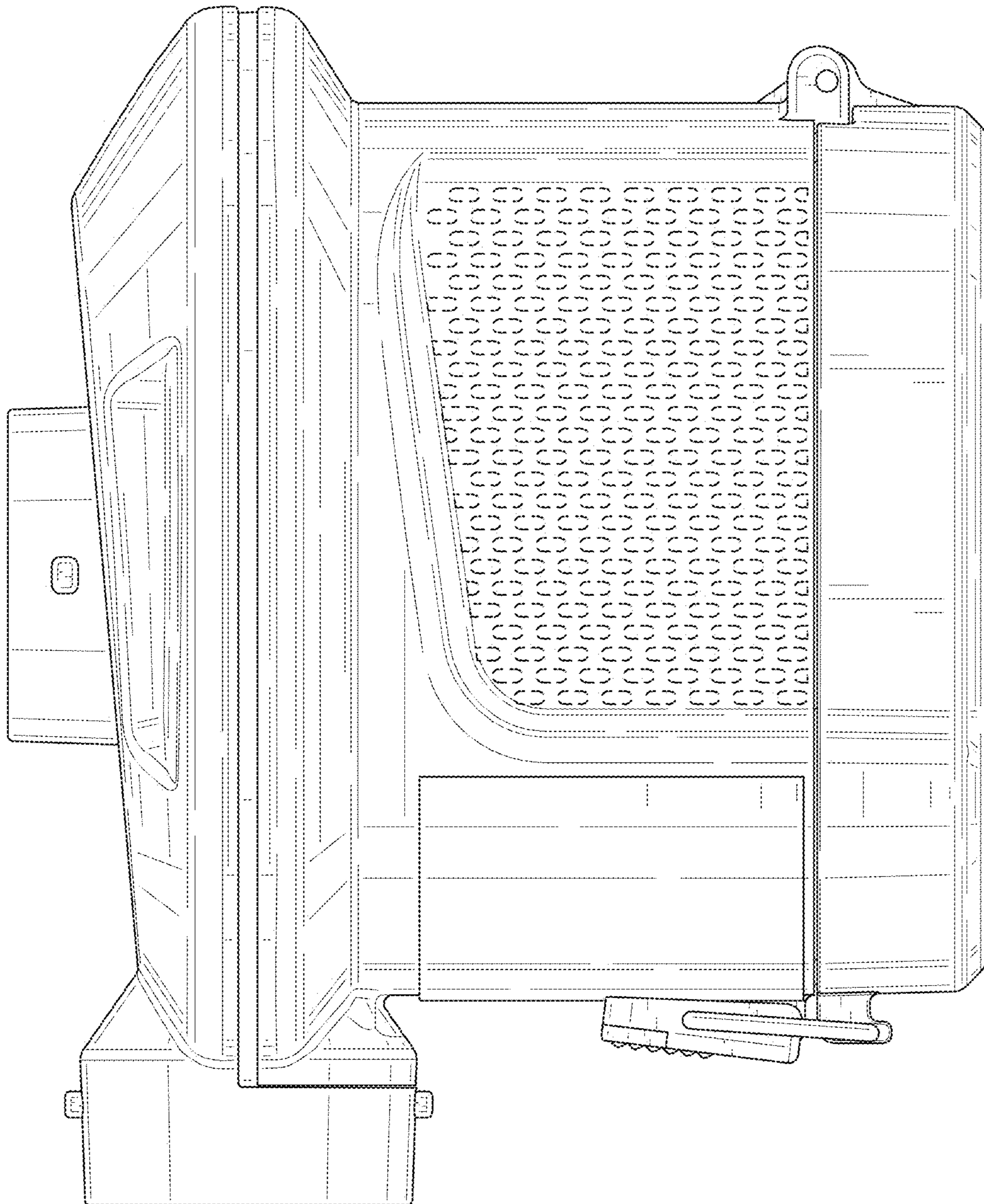


FIG. 5

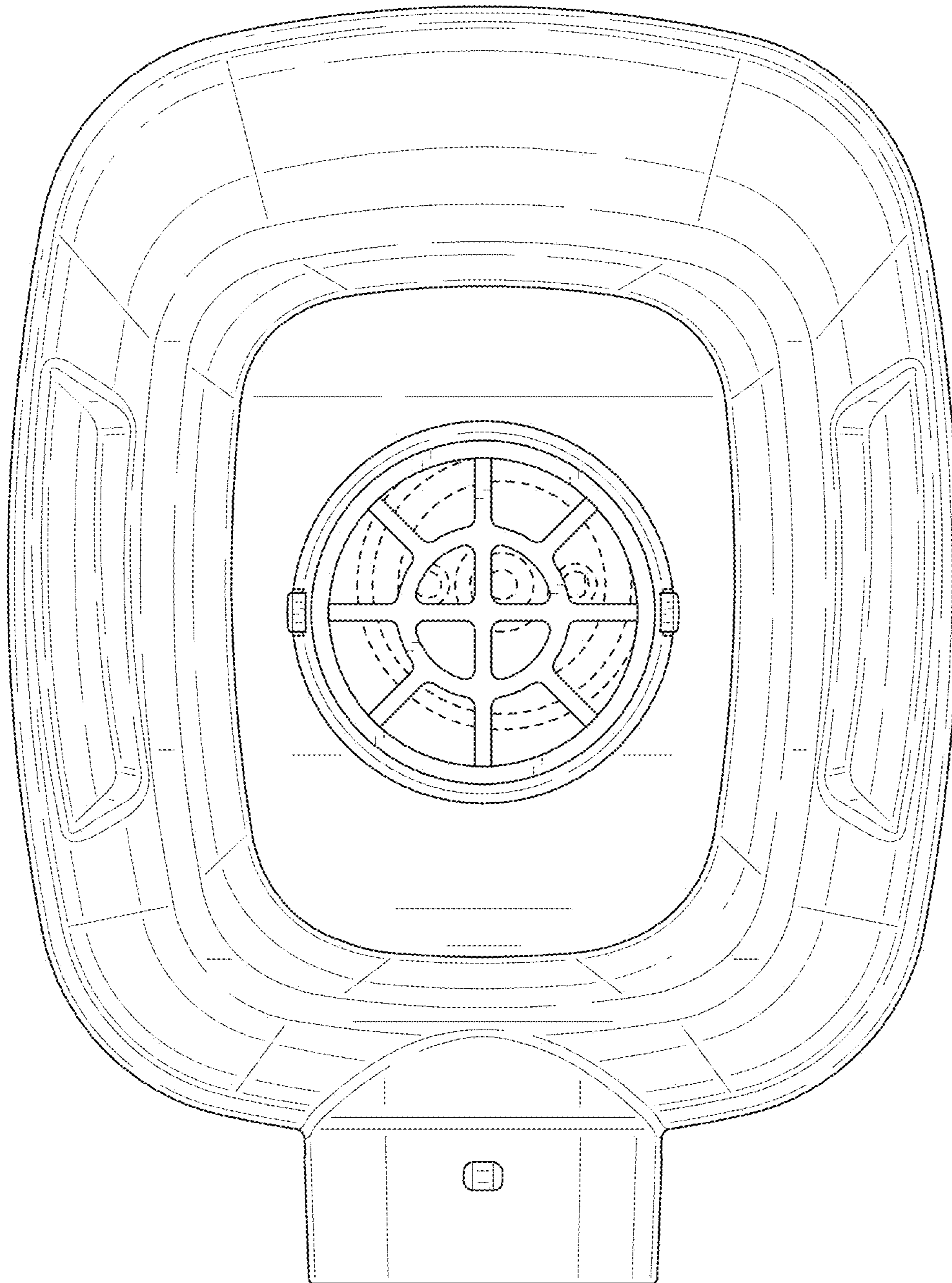


FIG. 6



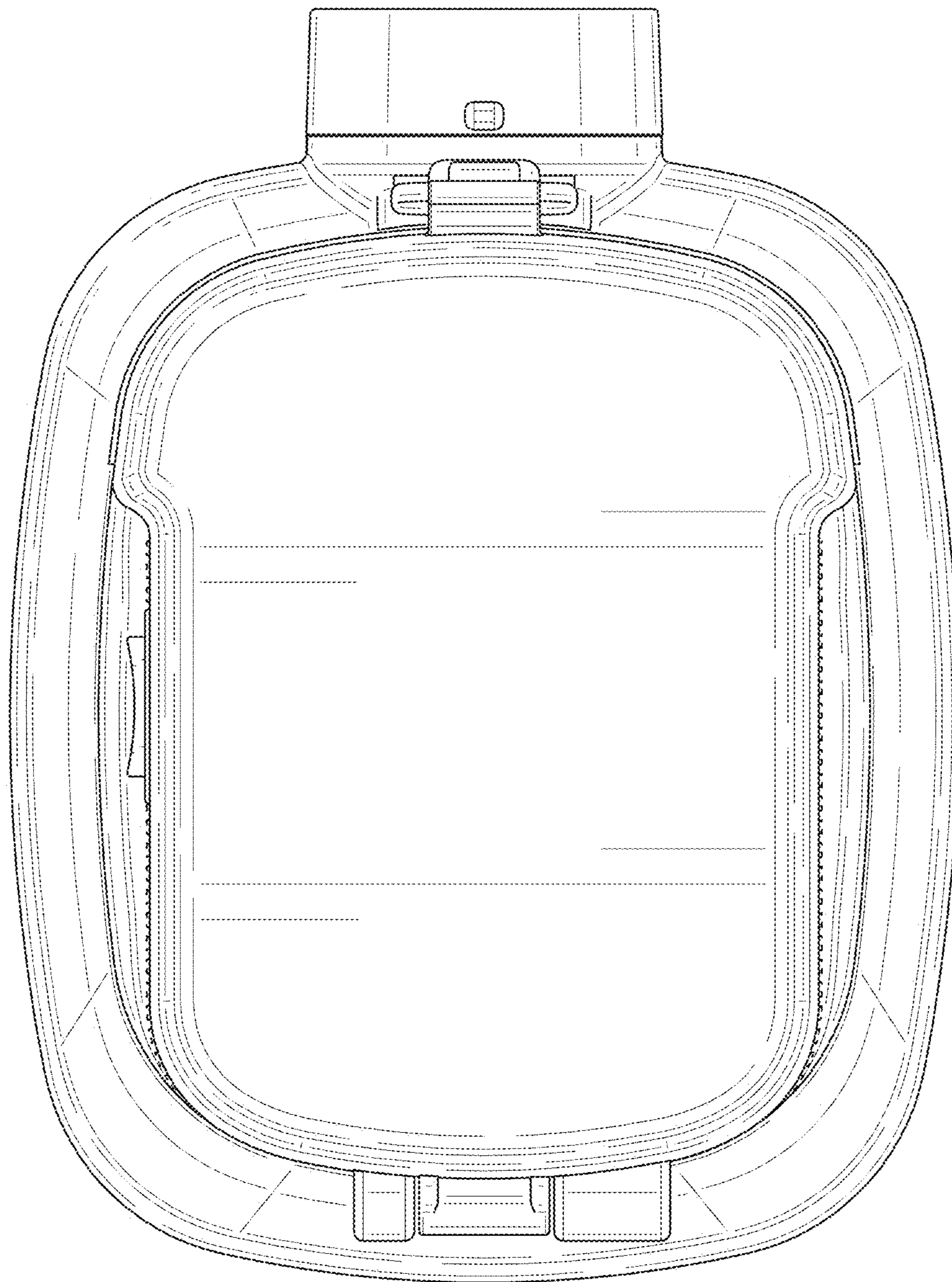


FIG. 7

UNITED STATES PATENT AND TRADEMARK OFFICE  
**CERTIFICATE OF CORRECTION**

PATENT NO. : D869,507 S  
APPLICATION NO. : 29/653882  
DATED : December 10, 2019  
INVENTOR(S) : Zhi Xiong Huang et al.

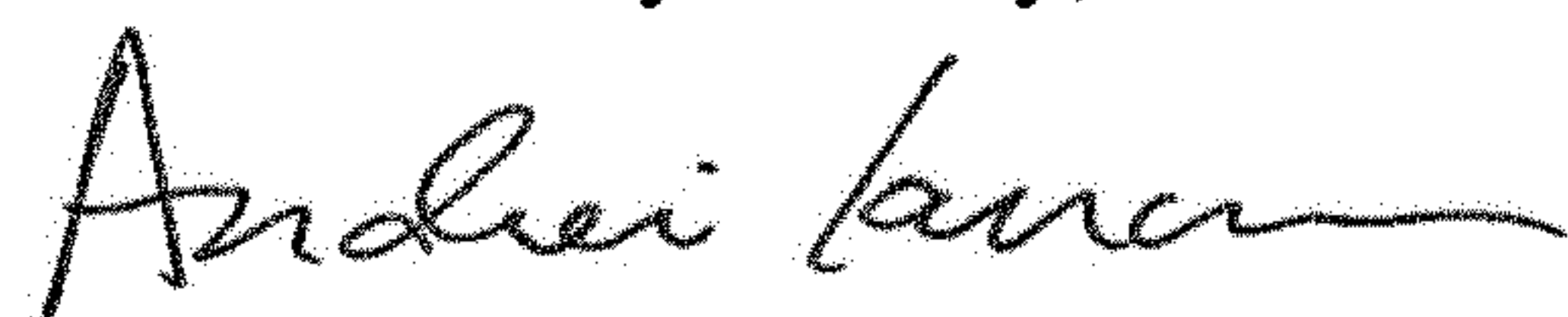
Page 1 of 1

It is certified that error appears in the above-identified patent and that said Letters Patent is hereby corrected as shown below:

On the Title Page

Column 1, under Foreign Application Priority Data, please amend the foreign priority reference number to read "201730655646.8".

Signed and Sealed this  
Fifth Day of May, 2020



Andrei Iancu  
*Director of the United States Patent and Trademark Office*