



US00D869504S

(12) **United States Design Patent** (10) **Patent No.:** **US D869,504 S**  
**Sander et al.** (45) **Date of Patent:** **\*\* Dec. 10, 2019**

(54) **LIQUID PUMP FOR INJECTION MOLD**

D822,075 S \* 7/2018 Terabe ..... D15/136  
D822,719 S \* 7/2018 Hines ..... D15/7  
D839,922 S \* 2/2019 Lee ..... D15/7  
2013/0108729 A1\* 5/2013 Chen ..... B29C 45/5008  
425/542  
2014/0044520 A1\* 2/2014 Tipton ..... B22D 17/02  
415/1

(71) Applicant: **Advantage Engineering, Inc.**,  
Greenwood, IN (US)

(72) Inventors: **Andrew J. Sander**, Bargersville, IN  
(US); **Ronald A. Wolfe**, Indianapolis,  
IN (US)

(73) Assignee: **Advantage Engineering, Inc.**,  
Greenwood, IN (US)

(\*\*) Term: **15 Years**

(21) Appl. No.: **29/616,390**

(22) Filed: **Sep. 6, 2017**

(51) **LOC (12) Cl.** ..... **15-02**

(52) **U.S. Cl.**  
USPC ..... **D15/7**

(58) **Field of Classification Search**  
USPC ..... D15/7, 135, 5  
CPC ..... F02M 37/14; F04B 53/92; F04B 1/005;  
F04B 43/0736

See application file for complete search history.

(56) **References Cited**

U.S. PATENT DOCUMENTS

D780,227 S \* 2/2017 Hines ..... D15/7  
D822,067 S \* 7/2018 Hines ..... D15/7

\* cited by examiner

*Primary Examiner* — T Chase Nelson

*Assistant Examiner* — Ania Aman

(74) *Attorney, Agent, or Firm* — Woodard, Emhardt,  
Henry, Reeves & Wagner, LLP

(57) **CLAIM**

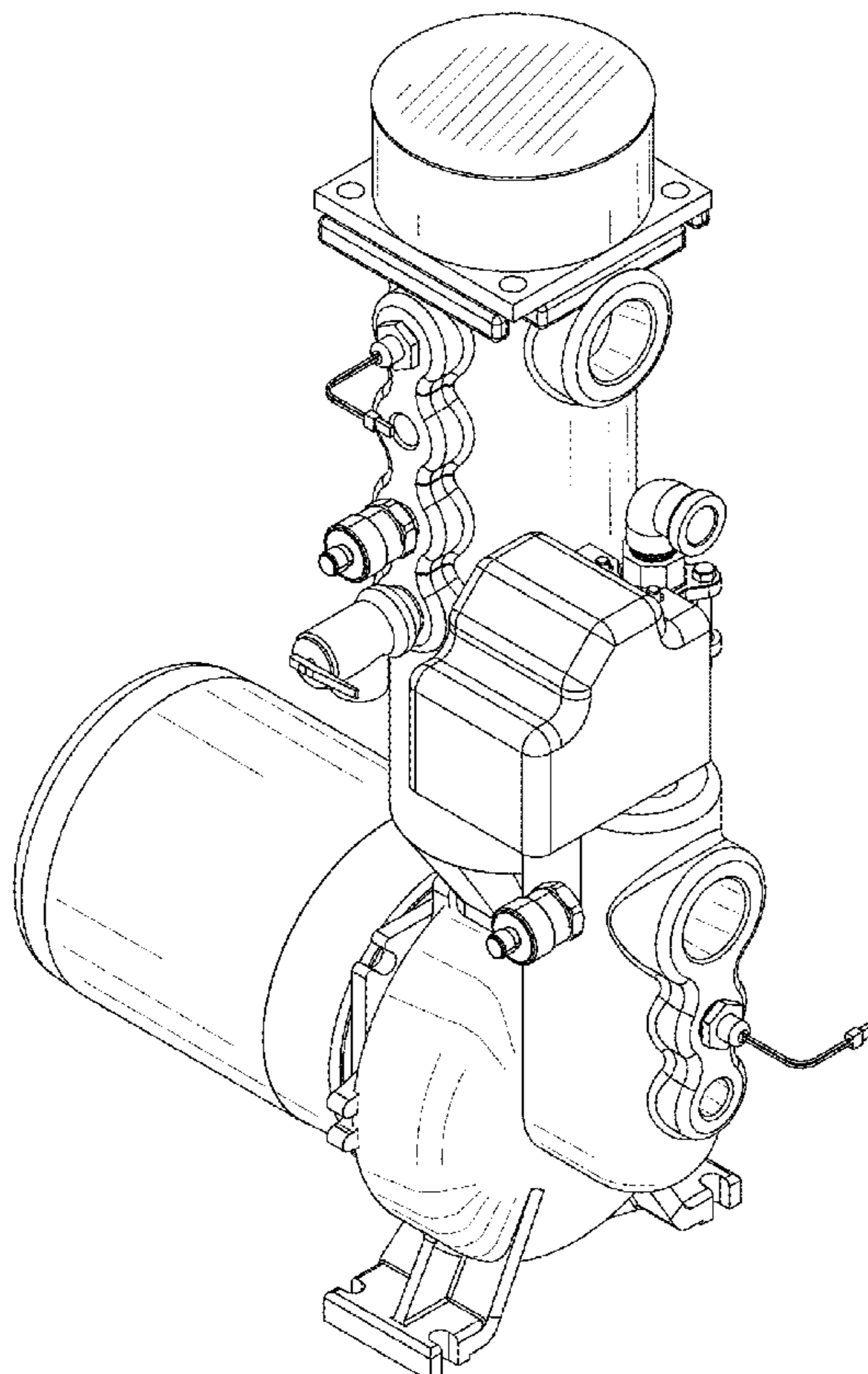
The ornamental design for a liquid pump for injection mold,  
as shown and described.

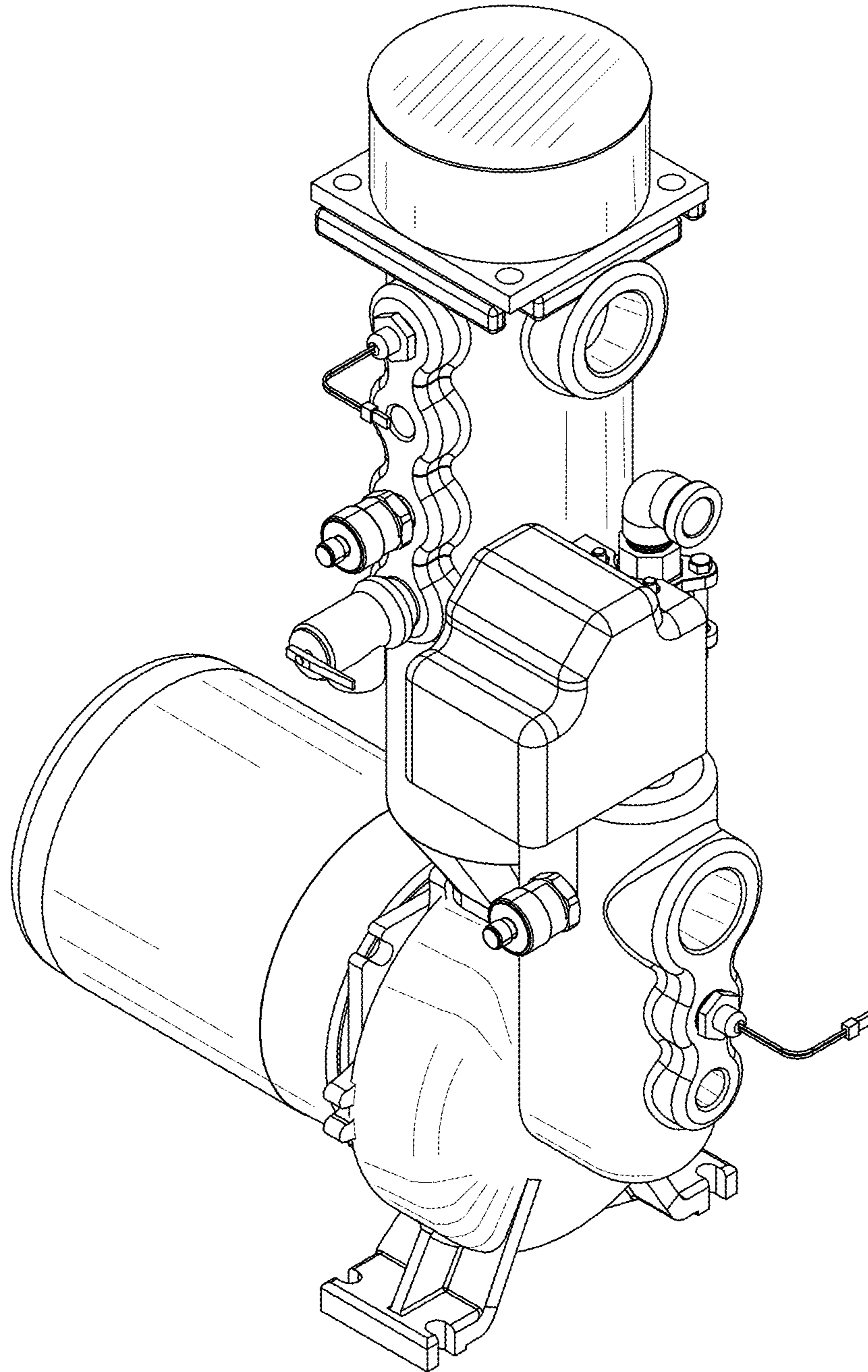
**DESCRIPTION**

FIG. 1 is a left perspective view of the preferred embodi-  
ment of the liquid pump incorporating our new design;  
FIG. 2 is a right perspective view thereof;  
FIG. 3 is a front view thereof;  
FIG. 4 is back view thereof;  
FIG. 5 is top view thereof;  
FIG. 6 is bottom view thereof;  
FIG. 7 is left view thereof; and,  
FIG. 8 is a right view thereof.

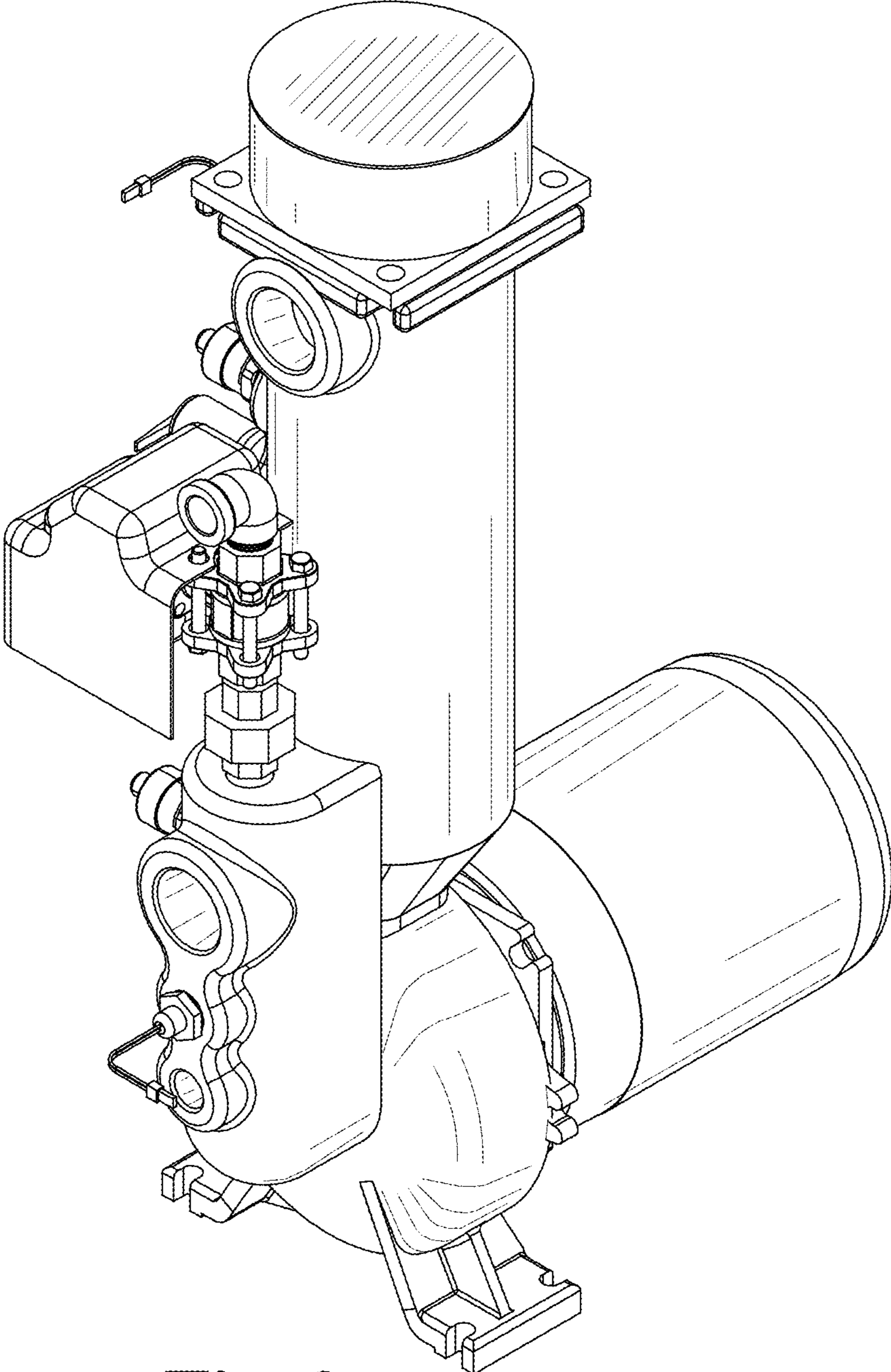
The broken lines in FIG. 5 represent portions of the device  
that form no part of the claimed design.

**1 Claim, 6 Drawing Sheets**

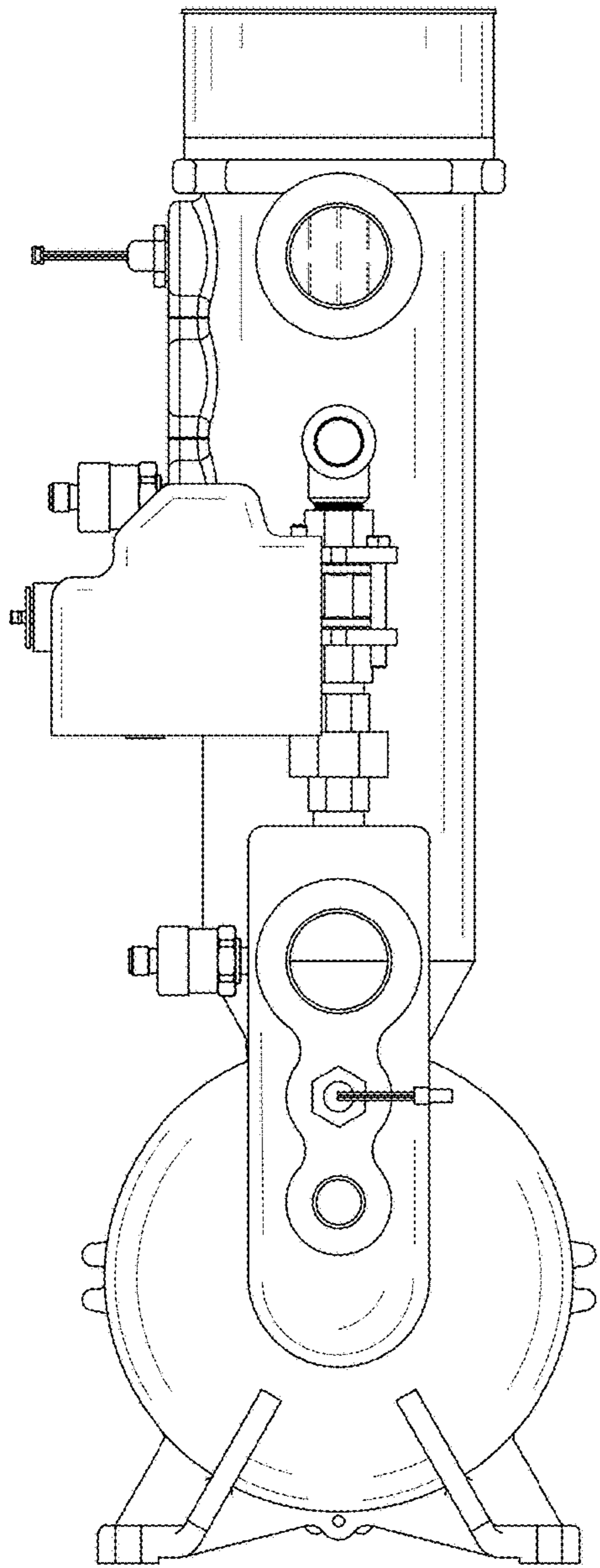




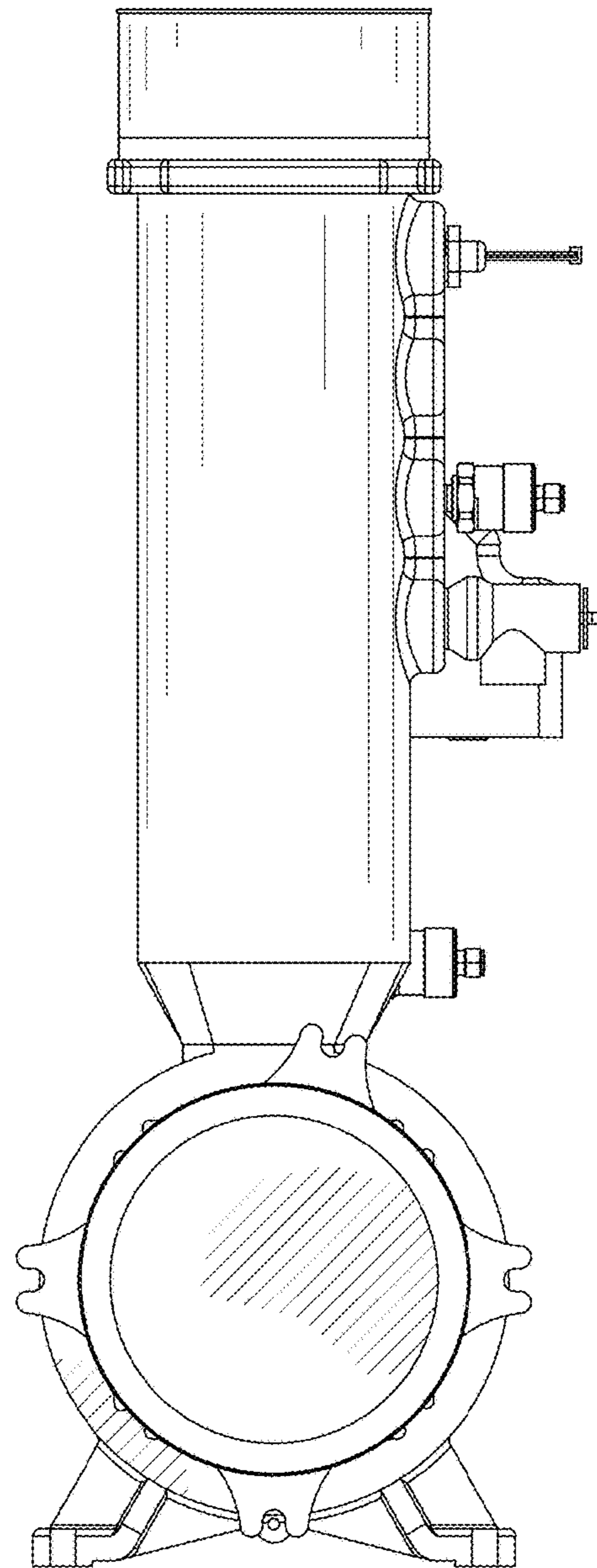
**Fig. 1**



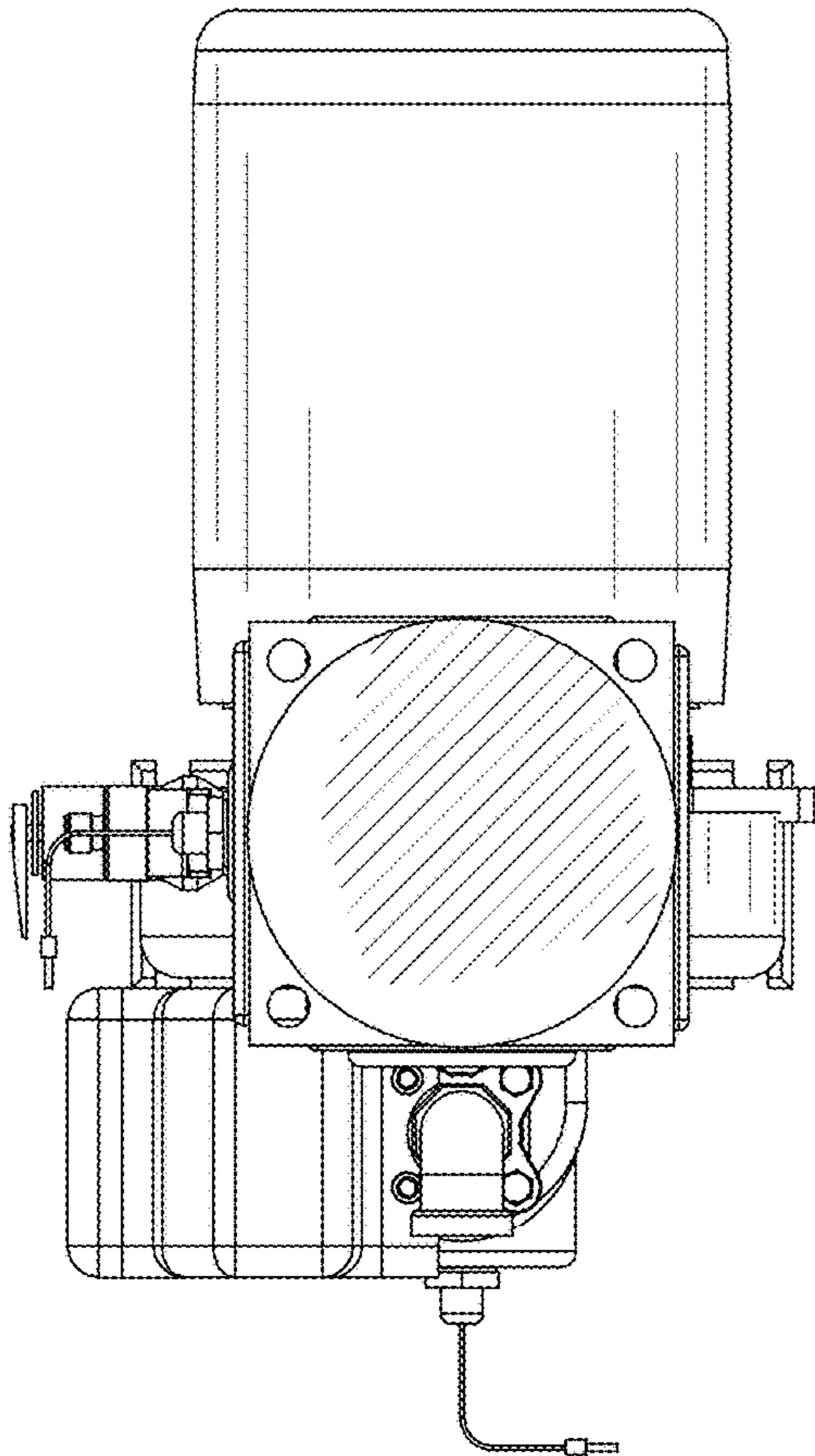
**Fig. 2**



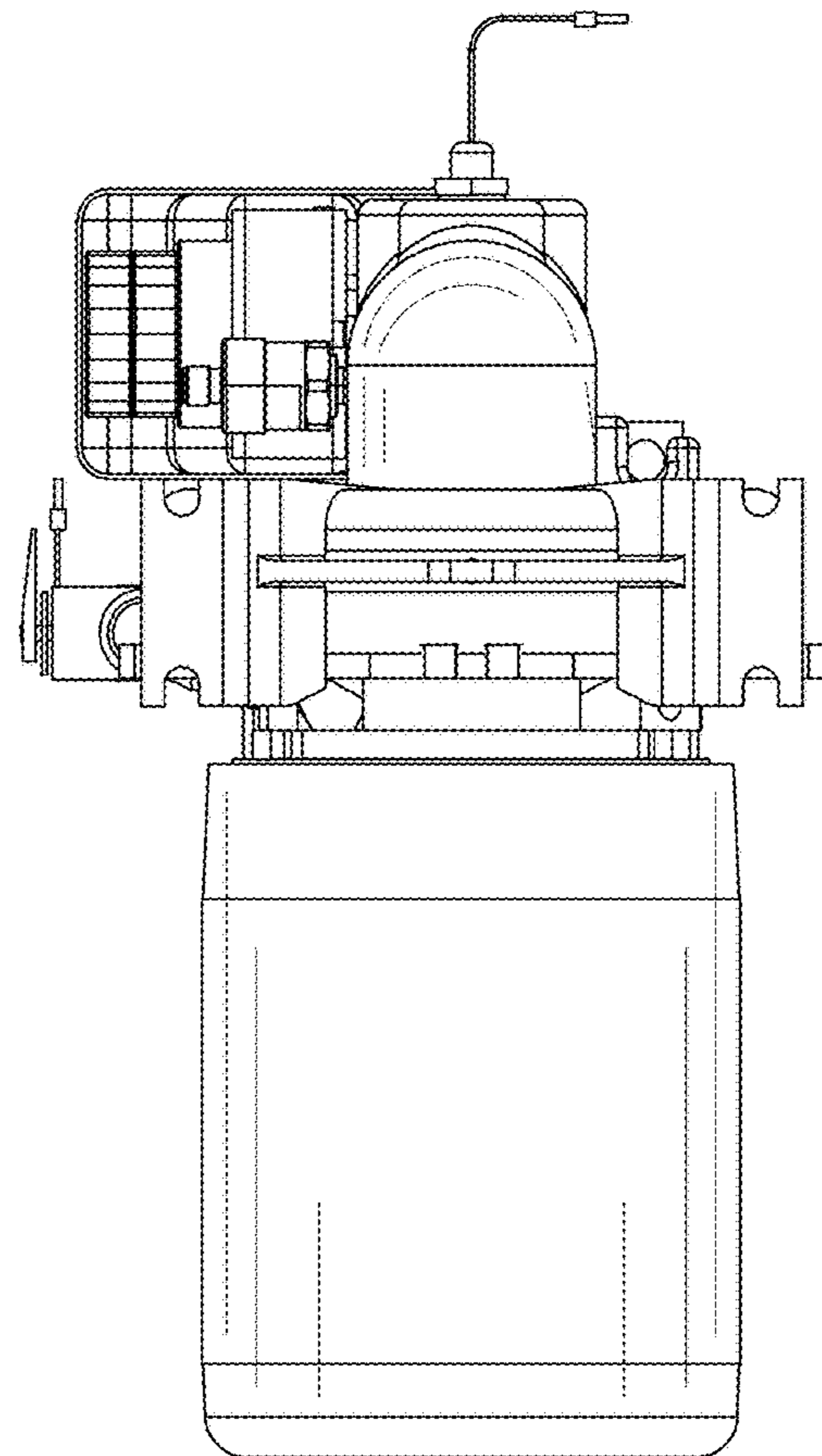
**Fig. 3**



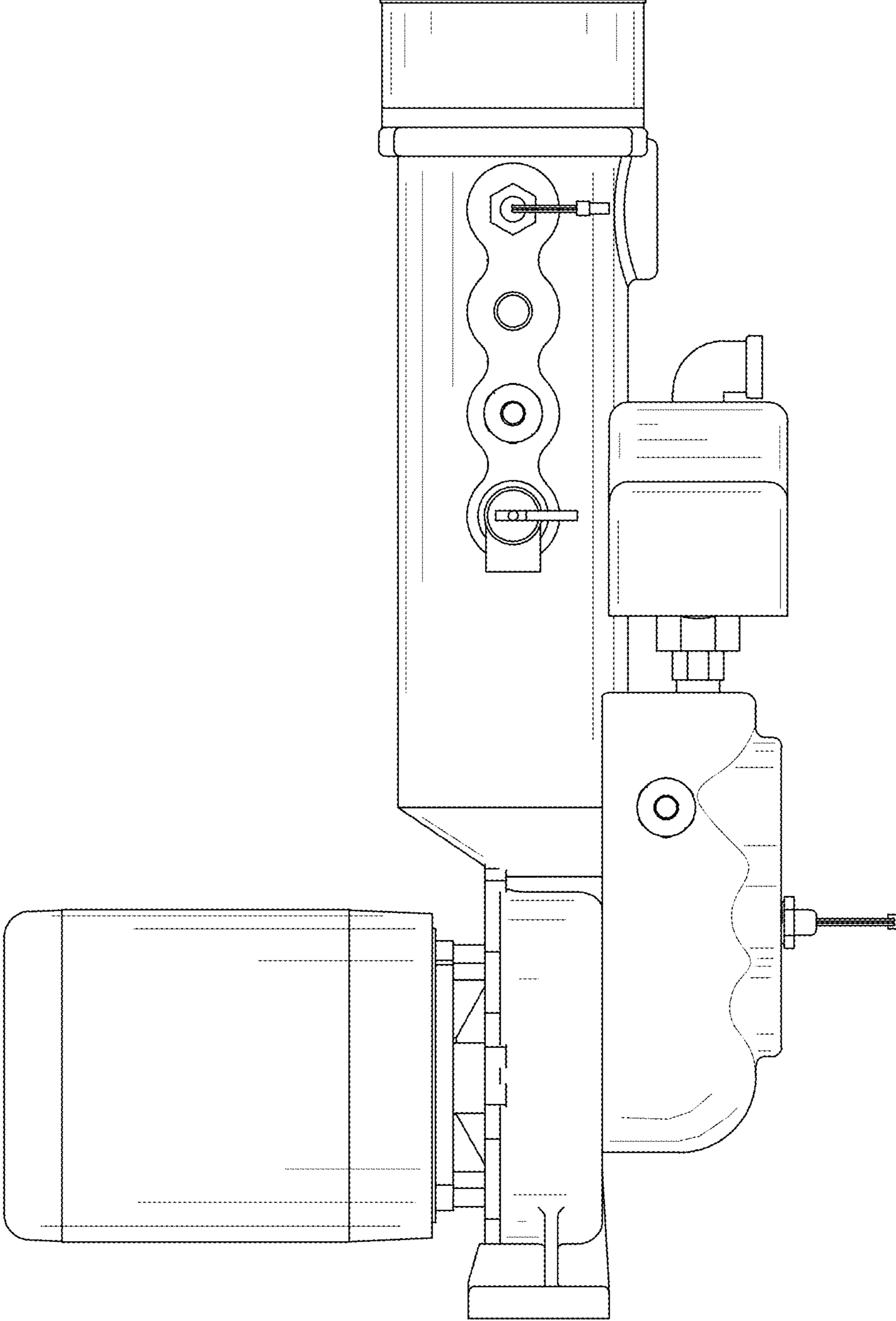
**Fig. 4**



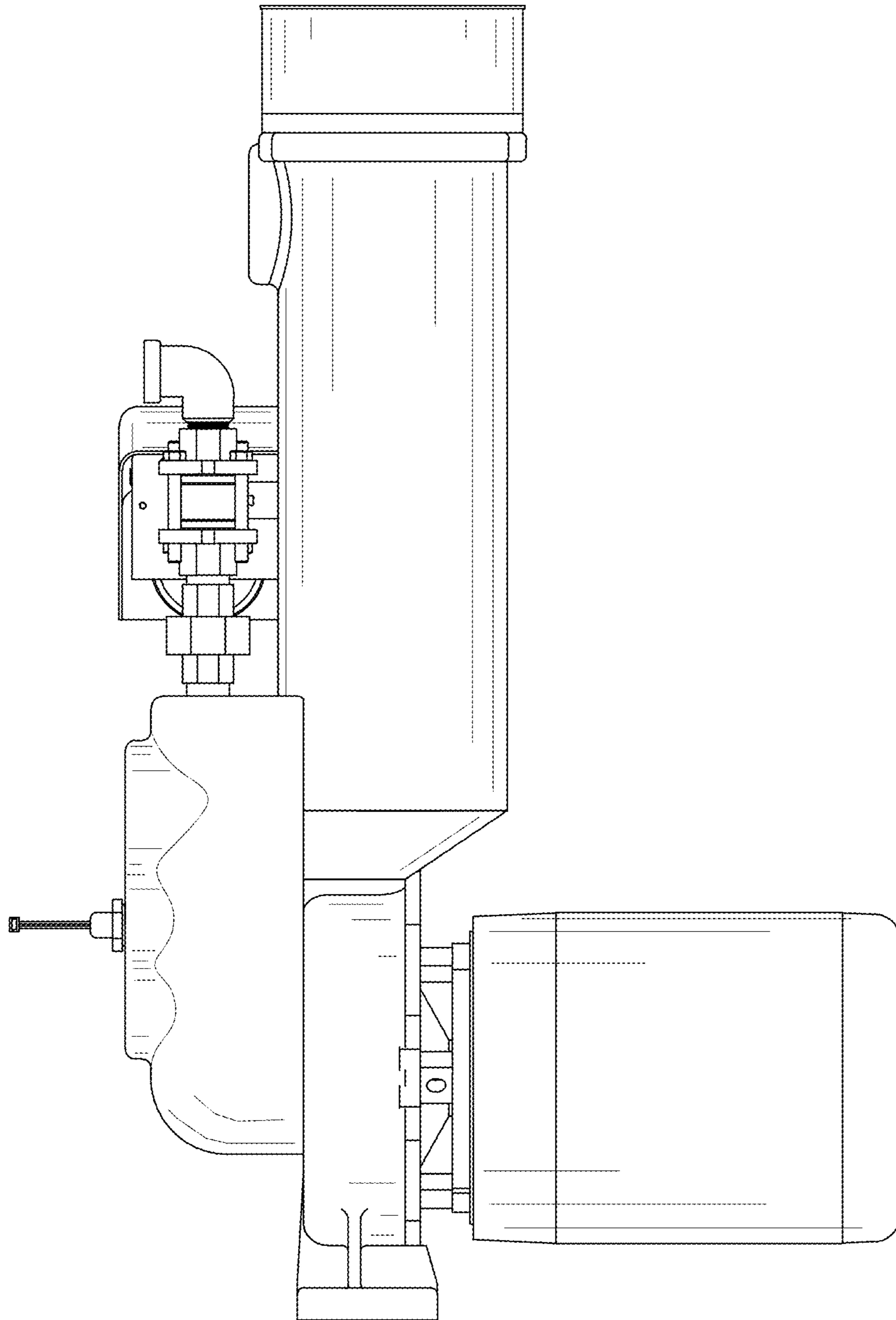
**Fig. 5**



**Fig. 6**



**Fig. 7**



**Fig. 8**