



US00D869503S

(12) **United States Design Patent** (10) **Patent No.:** **US D869,503 S**
Johnson (45) **Date of Patent:** **** Dec. 10, 2019**

(54) **PORTABLE SOUND MACHINE**
(71) Applicant: **London Johnson, Inc.**, Dallas, TX (US)
(72) Inventor: **Brian P. Johnson**, Dallas, TX (US)
(73) Assignee: **London Johnson, Inc.**, Dallas, TX (US)

D710,824 S † 8/2014 Mackiewicz D14/214
D714,249 S † 9/2014 Carney D14/140
D725,624 S † 3/2015 Carney D14/140
D755,160 S † 5/2016 Ponce D14/214
D756,957 S † 5/2016 Nylen D14/204
D766,456 S † 9/2016 Luc D24/231
D768,607 S † 10/2016 Altonen D14/240
D819,607 S † 6/2018 Chui D14/225

(Continued)

(**) Term: **15 Years**
(21) Appl. No.: **29/697,860**
(22) Filed: **Jul. 11, 2019**

Related U.S. Application Data

(62) Division of application No. 29/608,862, filed on Jun. 26, 2017, now Pat. No. Des. 855,078.
(51) **LOC (12) Cl.** **14-01**
(52) **U.S. Cl.**
USPC **D14/496**; D14/172; D14/214
(58) **Field of Classification Search**
USPC D14/125, 137, 140–140.9, 155, 159, 160, D14/167, 168, 172, 188, 194, 203.1, D14/203.6, 204, 209.1, 217, 221, D14/225–229, 240, 242, 299, 248, 249, D14/356–358, 432, 433, 474, 496, 497, D14/506, 509, 154, 157, 158, 185–186, D14/214, 222, 224, 243, 259, 500, 501, D14/507
CPC H04R 1/02; H04R 1/025; H04R 1/026; H04R 1/323; H04R 1/403; H04R 1/2803; H04R 1/2834; H04R 3/00; H04R 5/02; H04R 9/06; H04R 11/02; H04R 19/02; H04R 2201/021; H04R 2400/00; H04R 2400/07; H04R 2499/11
See application file for complete search history.

(56) **References Cited**
U.S. PATENT DOCUMENTS

D387,764 S † 12/1997 Ross, Sr. D14/214
D534,523 S † 1/2007 Kang D14/214

OTHER PUBLICATIONS

Big Red Rooster Portable White Noise Sound Machine, amazon online, first review post date Dec. 14, 2017, &It:URL: <https://www.amazon.com/Big-Red-Rooster-BRRC112-Portable/dp/B074F3Z3L5> >, retrieved Dec. 12, 2018.†

(Continued)

Primary Examiner — Jeffrey D Asch
Assistant Examiner — Rebekah A Caruso
(74) *Attorney, Agent, or Firm* — Perkins Coie LLP

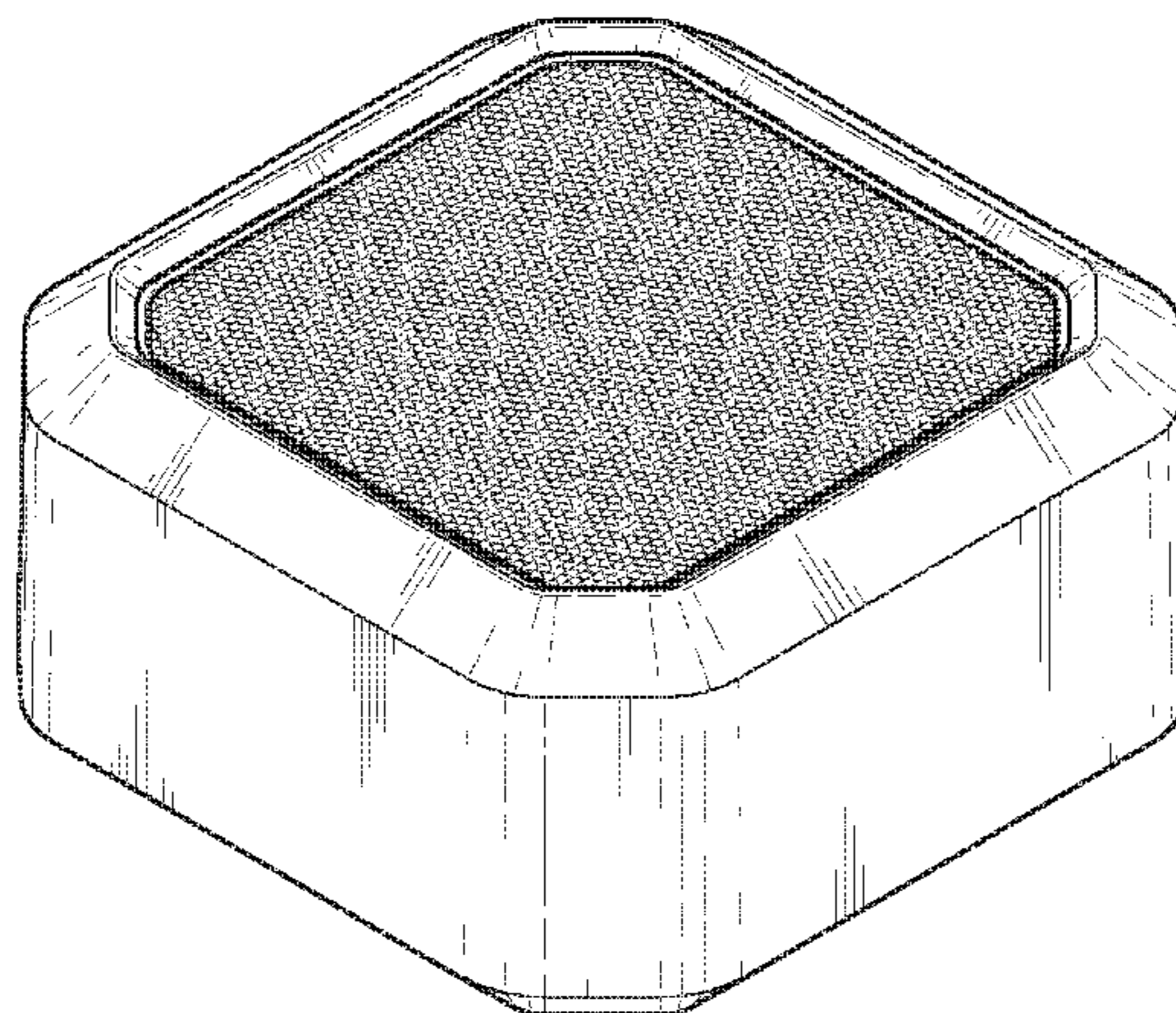
(57) **CLAIM**

The ornamental design for a portable sound machine, as shown and described.

DESCRIPTION

FIG. 1 is a perspective view of a portable sound machine showing my design, as viewed from the top and front. FIG. 2 is a back profile view thereof. FIG. 3 is a front profile view thereof. FIG. 4 is a first side profile view thereof. FIG. 5 is an opposite second side profile view thereof. FIG. 6 is a top plan view thereof; and, FIG. 7 is a bottom plan view thereof. The details shown in broken lines illustrate features that form no part of the claimed design.

1 Claim, 3 Drawing Sheets



(56)

References Cited

U.S. PATENT DOCUMENTS

D824,365	S	‡	7/2018	Vogt, Jr.	D14/214
D827,606	S	‡	9/2018	Johnson	D14/204
D835,068	S	‡	12/2018	Chen	D14/214
D850,444	S	*	6/2019	Mullins	D14/344
D850,627	S	*	6/2019	Purani	D24/186
D855,078	S	*	7/2019	Johnson	D14/496

OTHER PUBLICATIONS

Big Red Rooster Portable White Noise Sound Machine, amazon online, first review post date Dec. 14, 2017, <URL: <https://www.amazon.com/Big-Red-Rooster-BRRC112-Portable/dp/B074F3Z3L5> >, retrieved Dec. 12, 2018.

* cited by examiner

‡ imported from a related application

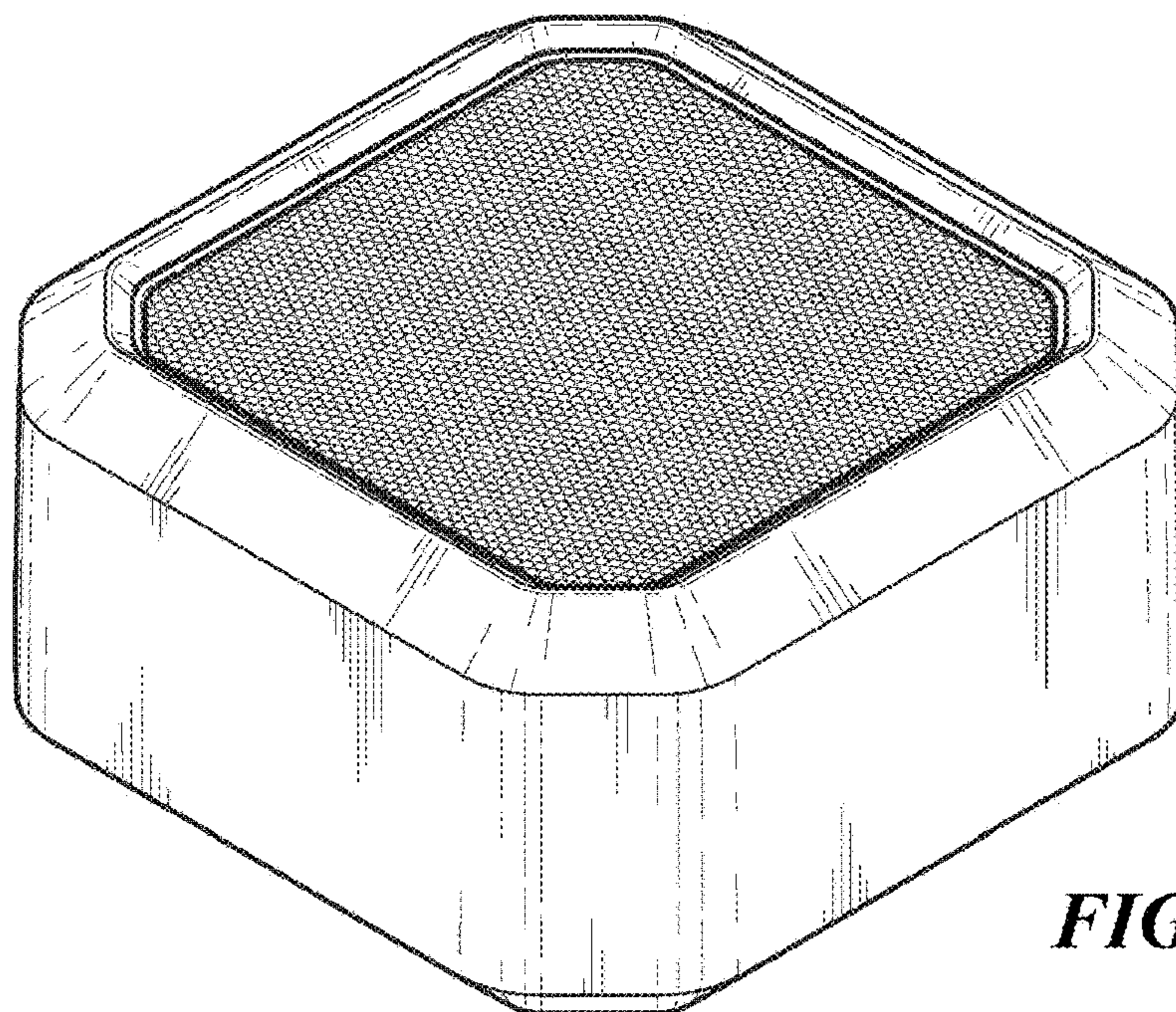


FIG. 1

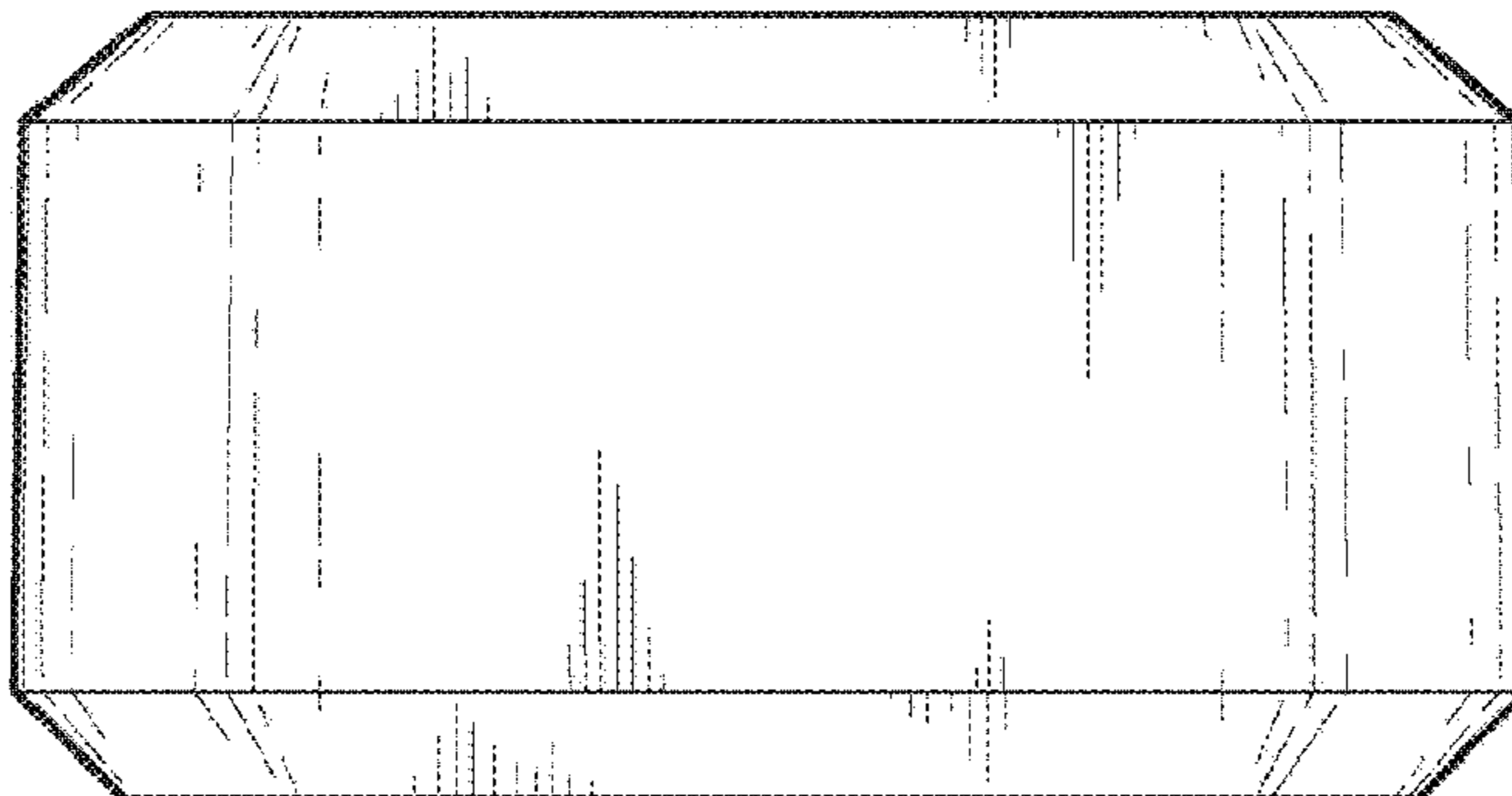


FIG. 2

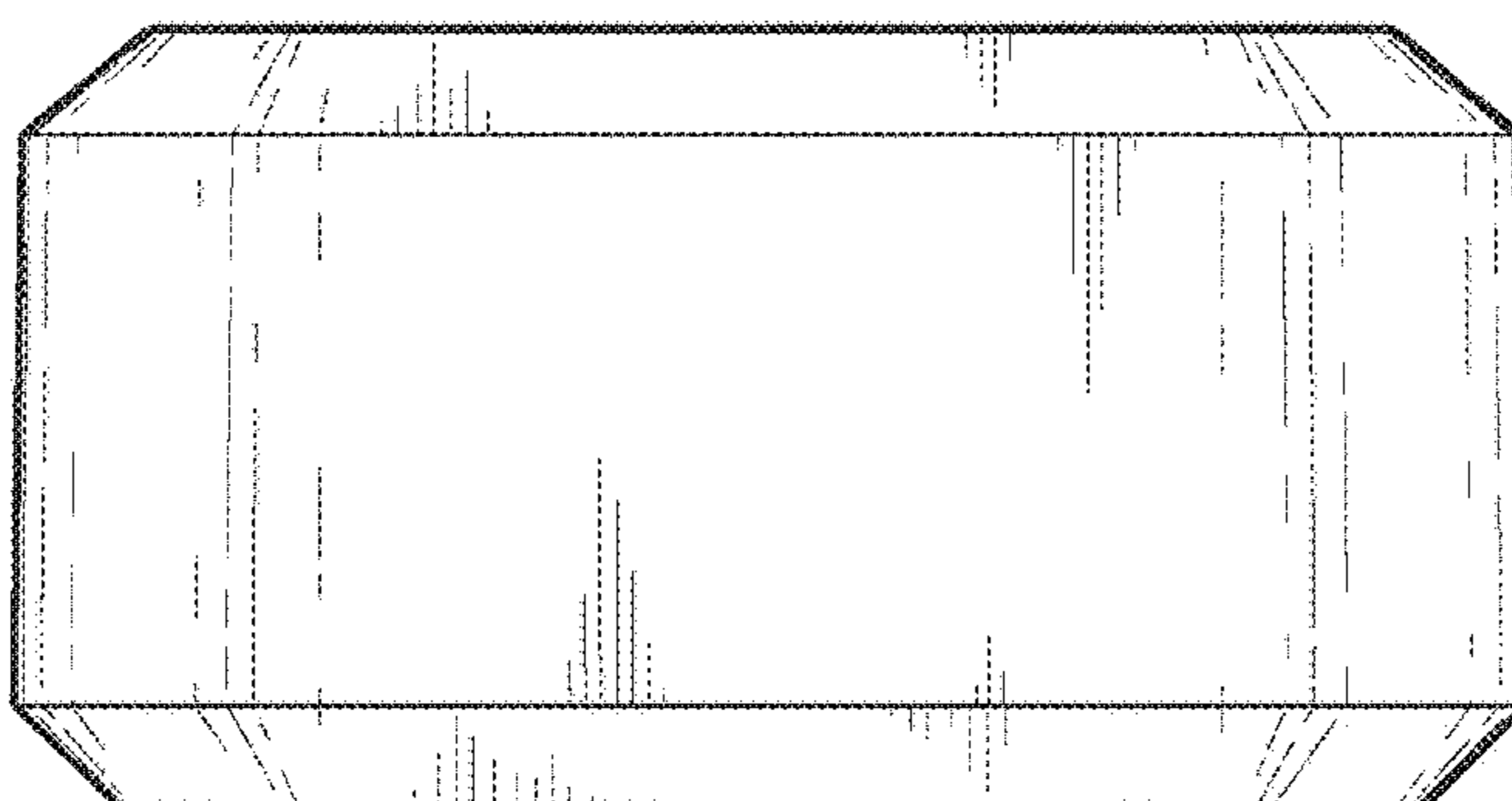


FIG. 3

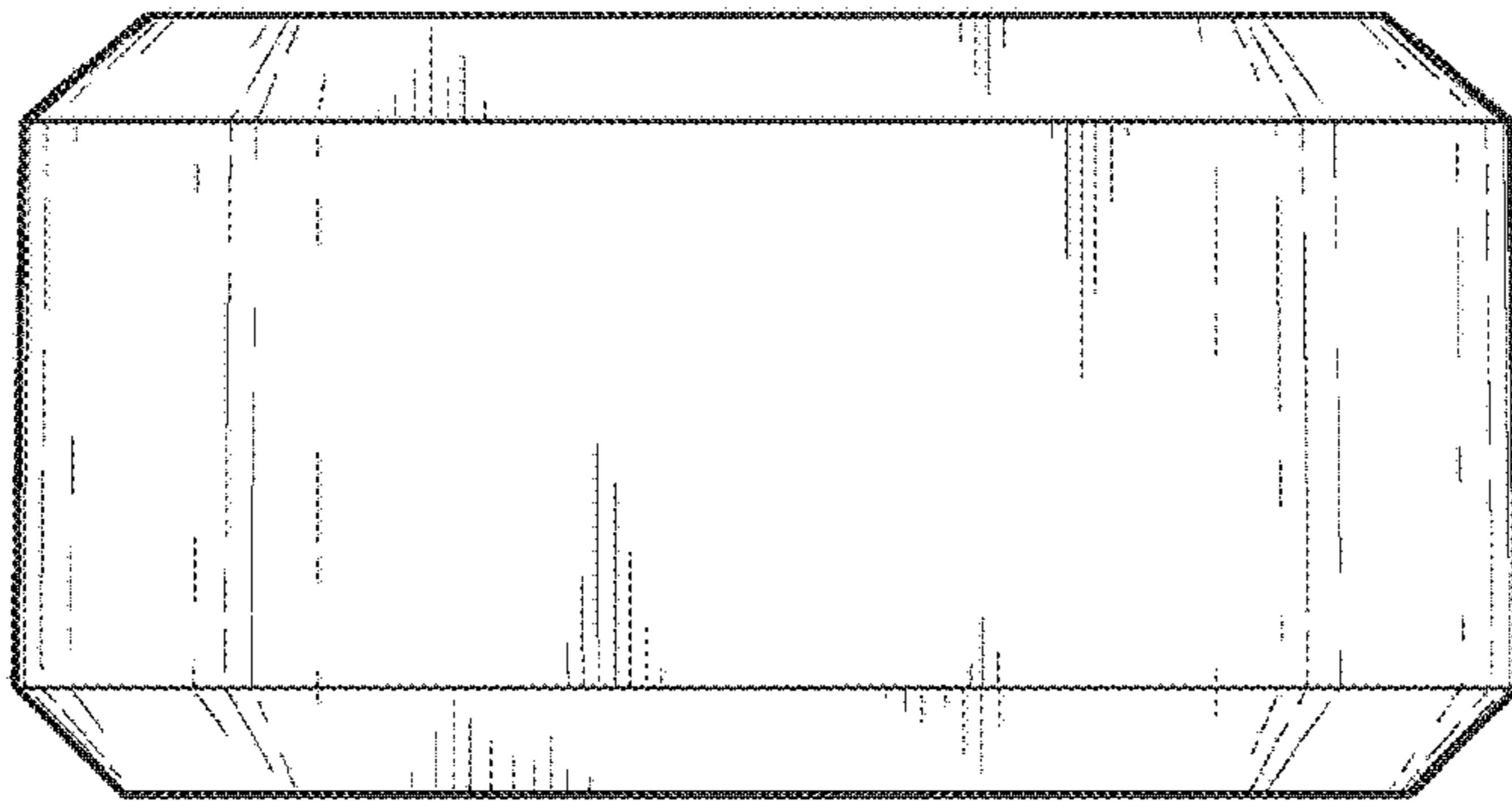


FIG. 4

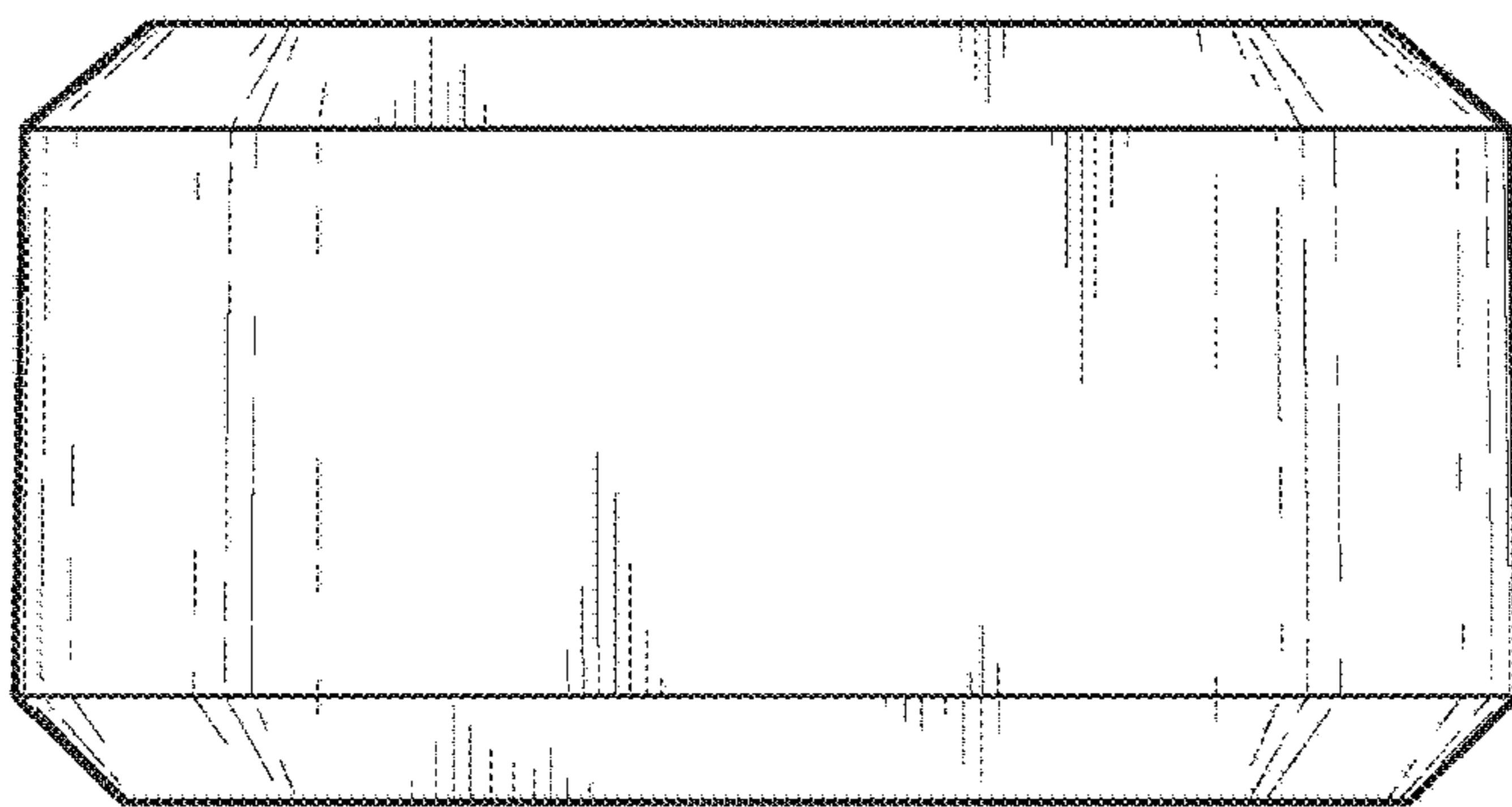


FIG. 5

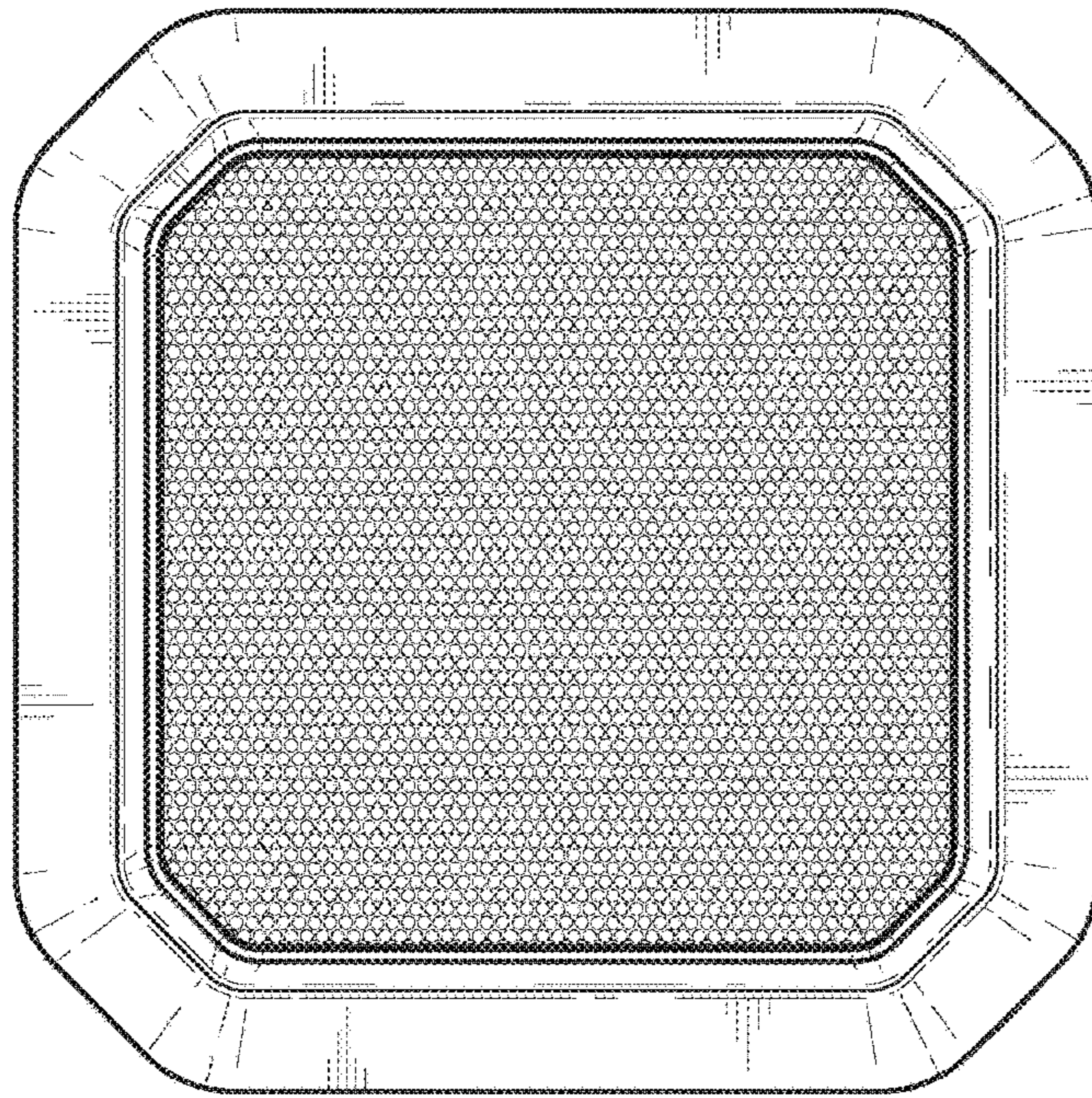


FIG. 6

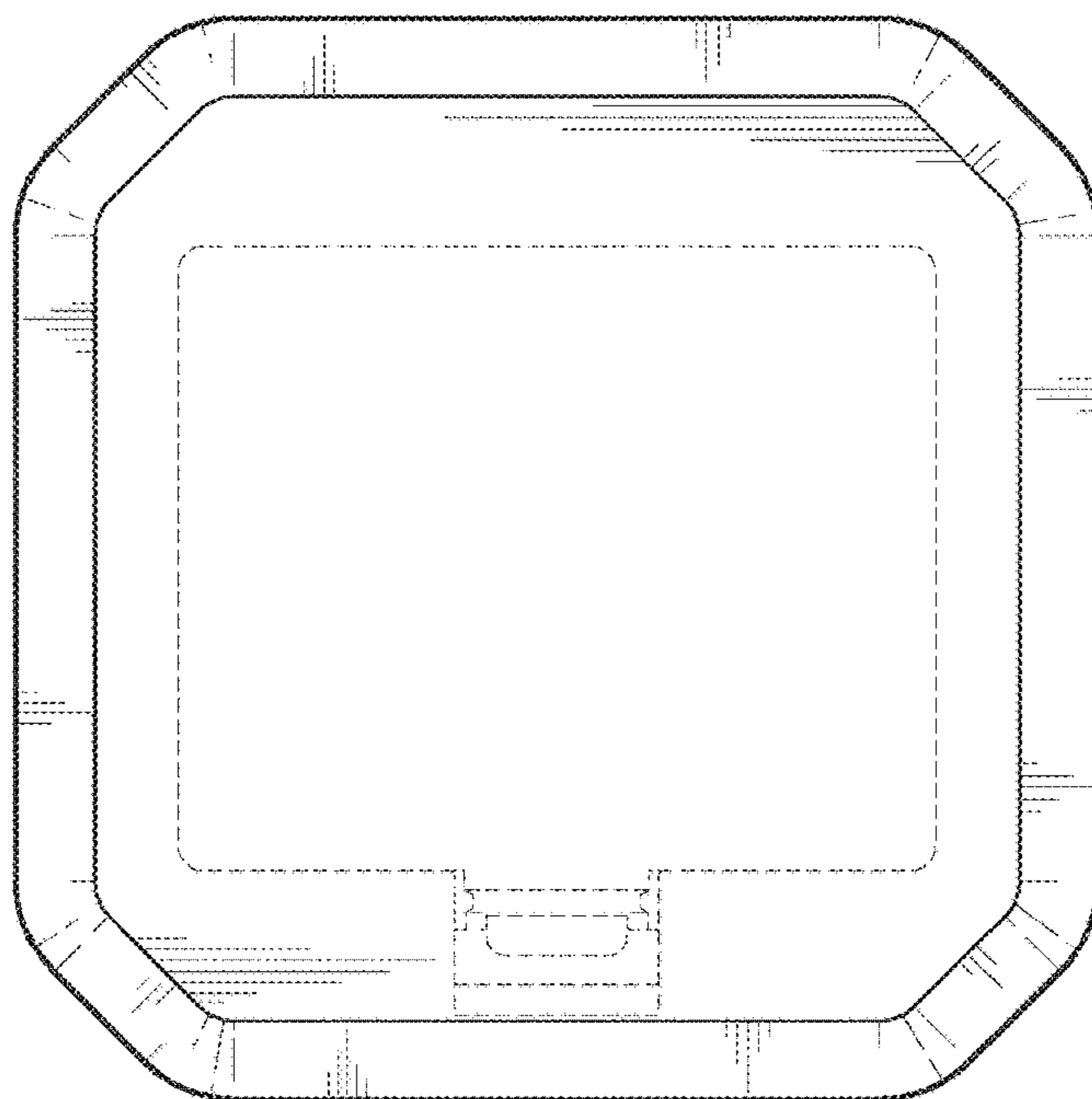


FIG. 7