



US00D869483S

(12) **United States Design Patent** (10) **Patent No.:** **US D869,483 S**
Wilde (45) **Date of Patent:** **** Dec. 10, 2019**

(54) **DISPLAY SYSTEM WITH A VIRTUAL THREE-DIMENSIONAL GRAPHICAL USER INTERFACE**

(71) Applicant: **Navitaire LLC**, Minneapolis, MN (US)

(72) Inventor: **Justin S. Wilde**, Salt Lake City, UT (US)

(73) Assignee: **Navitaire LLC**, Minneapolis, MN (US)

(**) Term: **15 Years**

(21) Appl. No.: **29/582,907**

(22) Filed: **Oct. 31, 2016**

(51) **LOC (12) Cl.** **14-04**

(52) **U.S. Cl.**
USPC **D14/486**

(58) **Field of Classification Search**
USPC D14/485-495; D18/26, 31, 32, 33;
D21/11, 12, 23, 24, 25, 29, 30, 31, 32,
D21/36, 37, 38
CPC G06F 3/048; G06F 3/0481; G06F 3/0482;
G06F 3/04817; G06F 3/04812; H04N
1/00424; H04N 1/2477

See application file for complete search history.

(56) **References Cited**

U.S. PATENT DOCUMENTS

6,922,815 B2 *	7/2005	Rosen	G06F 17/30873 707/E17.111
D599,367 S *	9/2009	Mays	D14/485
D611,053 S *	3/2010	Kanga	D14/485
D672,363 S *	12/2012	Reyna	D14/486
D754,153 S *	4/2016	Moon	D14/485
D754,155 S *	4/2016	Moon	D14/485

(Continued)

Primary Examiner — Darlington Ly

(74) *Attorney, Agent, or Firm* — Finnegan, Henderson, Farabow, Garrett & Dunner LLP

(57) **CLAIM**

The ornamental design for a display system with a virtual three-dimensional graphical user interface, as shown and described.

DESCRIPTION

FIG. 1 is a front view of a display system in which the virtual three-dimensional graphical user interface of my new design, depicting the top, front, left perspective view orientation;

FIG. 2 is a second orientation thereof, in which the virtual three-dimensional graphical user interface is shown in the bottom, front, right perspective view;

FIG. 3 is a third orientation thereof, in which the virtual three-dimensional graphical user interface is shown in the front elevation view;

FIG. 4 is a fourth orientation thereof, in which the virtual three-dimensional graphical user interface is shown in the left side view;

FIG. 5 is a fifth orientation thereof, in which the virtual three-dimensional graphical user interface is shown in the right side view;

FIG. 6 is a sixth orientation thereof, in which the virtual three-dimensional graphical user interface is shown in the top plan view; and,

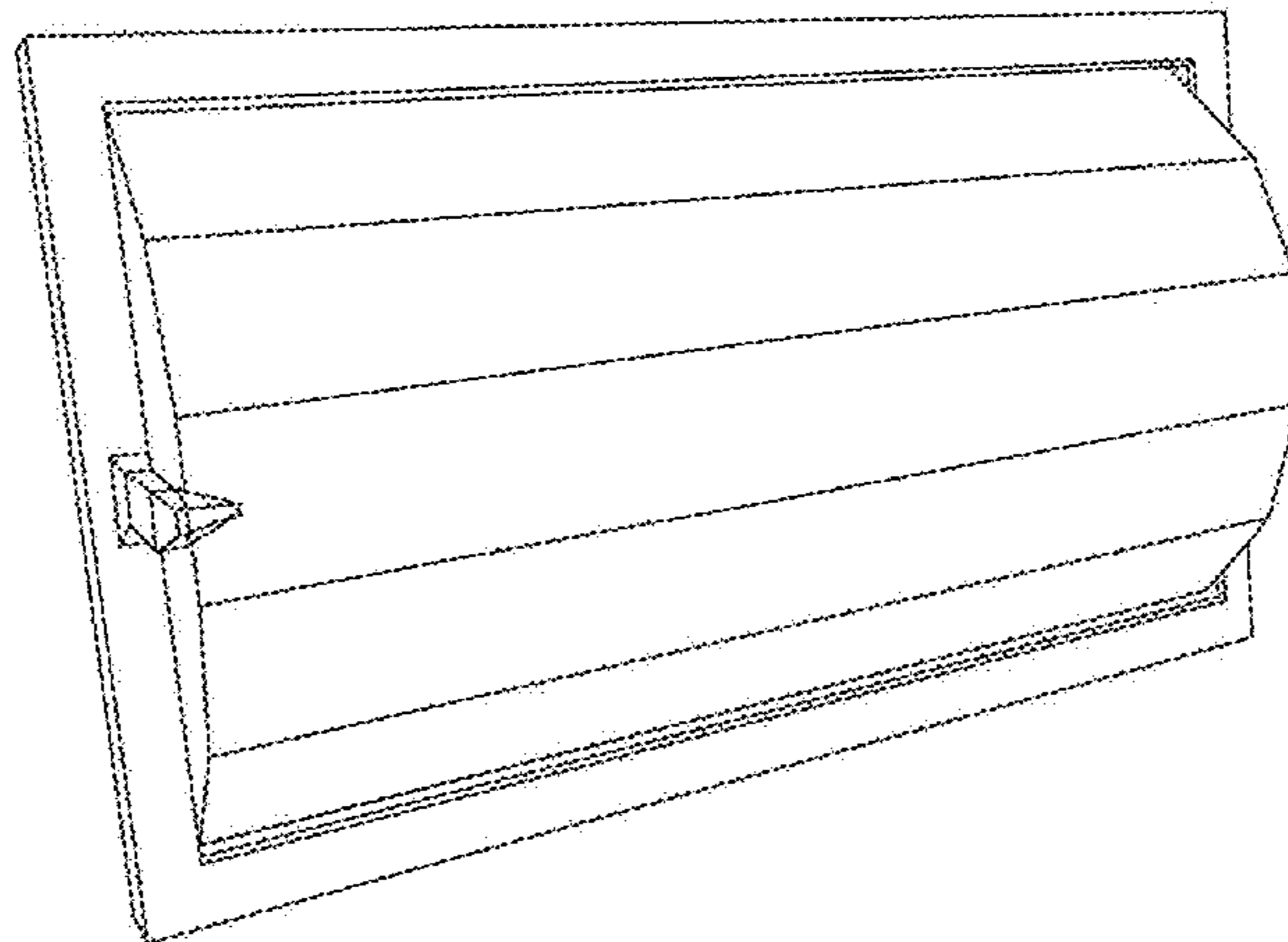
FIG. 7 is a seventh orientation thereof, in which the virtual three-dimensional graphical user interface is shown in the bottom plan view.

The virtual multi-dimensional graphical user interface in FIGS. 1-7 is shown in various orientations to provide an understanding of the three-dimensional appearance of the design.

The rear elevation view of the virtual three-dimensional graphical user interface is not visible during ordinary use and forms no part of the claimed design.

The broken lines of uneven length represent the field of view for the visual display and form no part of the claimed design.

1 Claim, 7 Drawing Sheets



(56)

References Cited

U.S. PATENT DOCUMENTS

D754,156 S * 4/2016 Moon D14/485
D754,157 S * 4/2016 Moon D14/485
D754,158 S * 4/2016 Moon D14/485
D760,265 S * 6/2016 Yao D14/486
D761,284 S * 7/2016 Nguyen D14/486
D768,163 S * 10/2016 Holl D14/486
D771,071 S * 11/2016 Rosenthal D14/485
D786,289 S * 5/2017 Kim D14/486
D797,767 S * 9/2017 Esselstrom D14/485
D800,738 S * 10/2017 Xu D14/485
D800,746 S * 10/2017 Dascola D14/486
D800,759 S * 10/2017 Perekoty D14/486
2010/0180227 A1 * 7/2010 Diallo G06F 3/0481
715/782
2010/0195899 A1 * 8/2010 Nc G06K 9/00369
382/154
2011/0002548 A1 * 1/2011 Sivakumar G08B 13/19682
382/199
2013/0039634 A1 * 2/2013 M G08B 13/19645
386/230
2017/0178260 A1 * 6/2017 Wilde G06Q 50/14

* cited by examiner

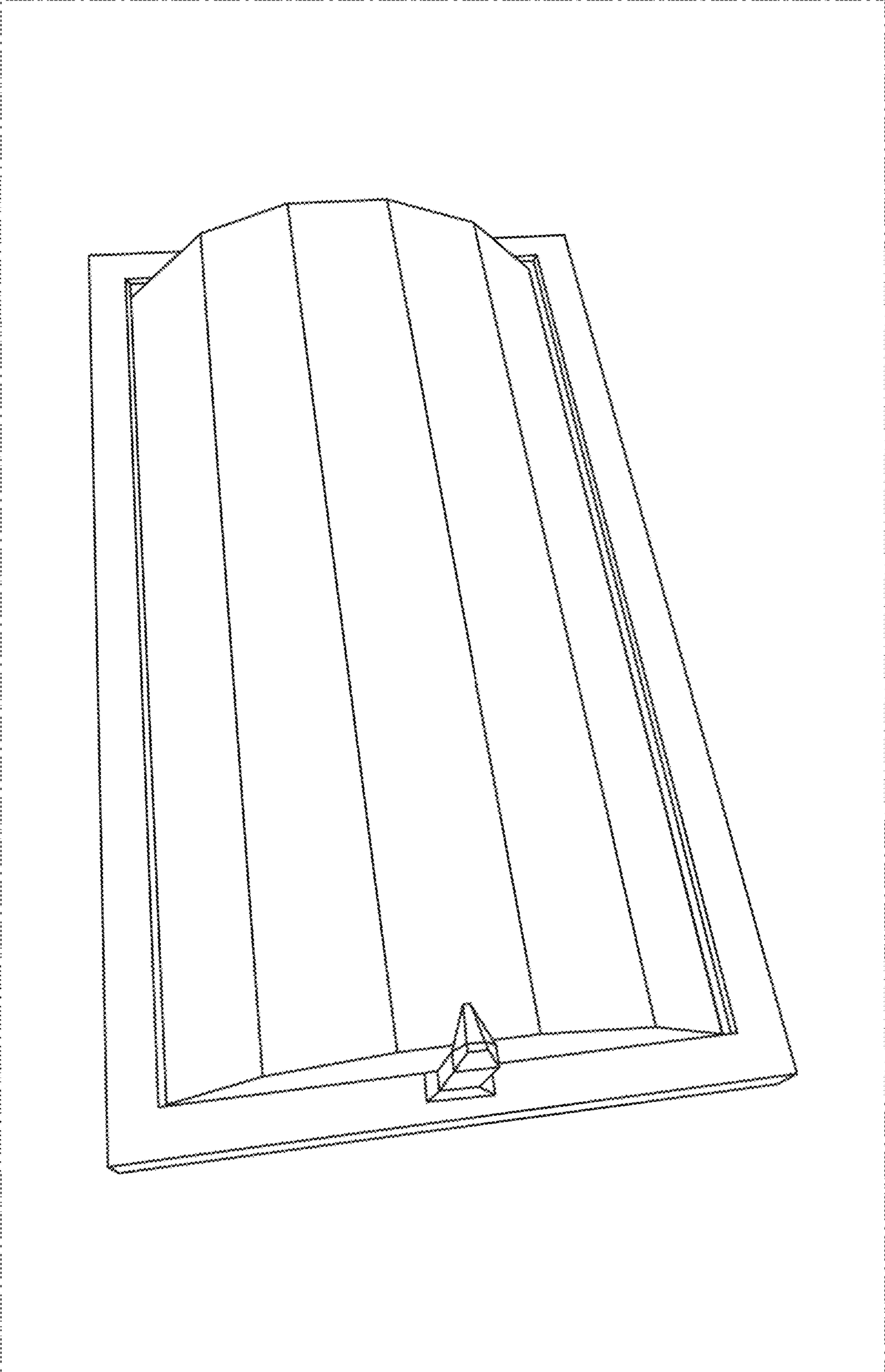


FIG. 1

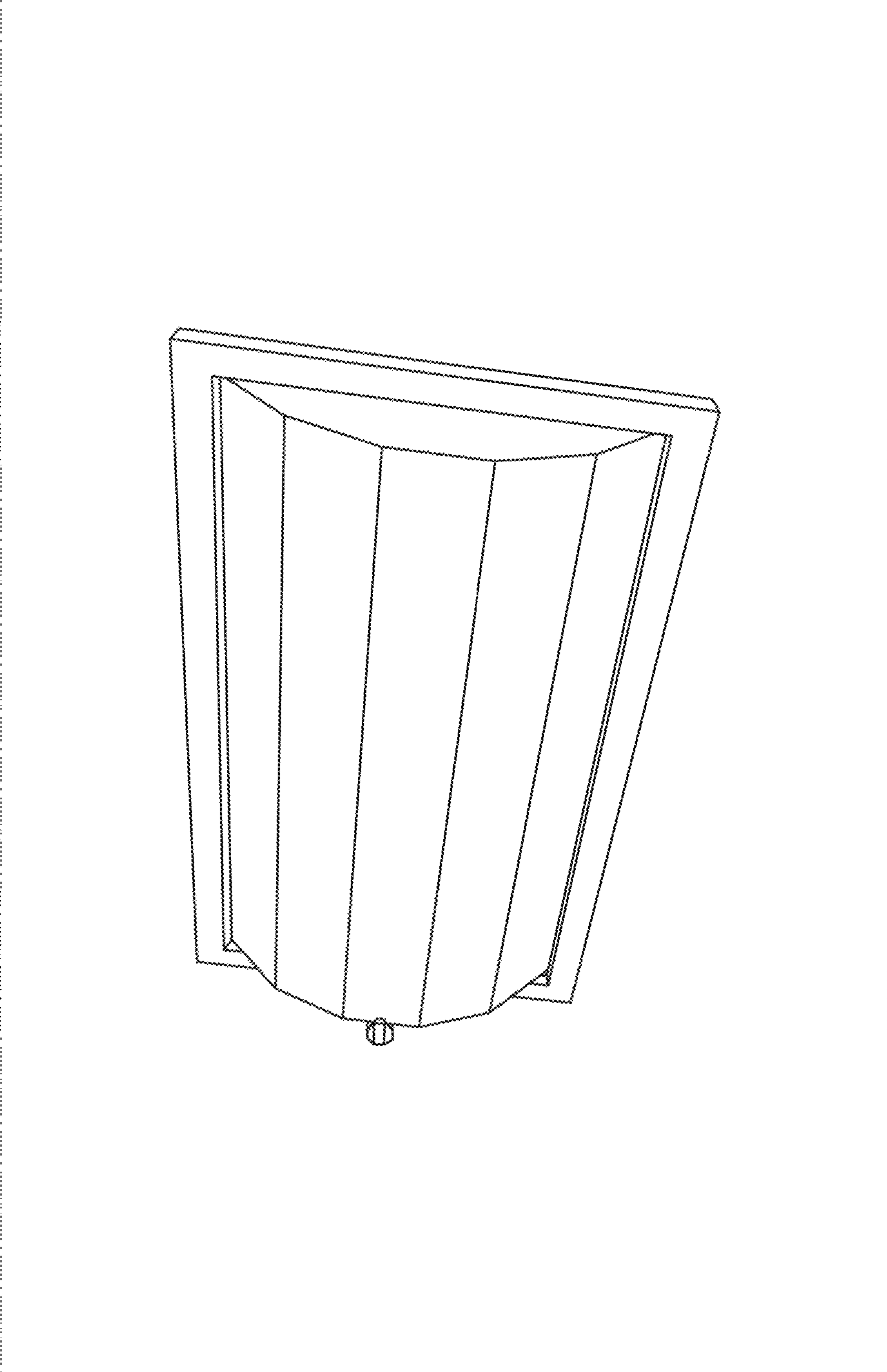


FIG. 2

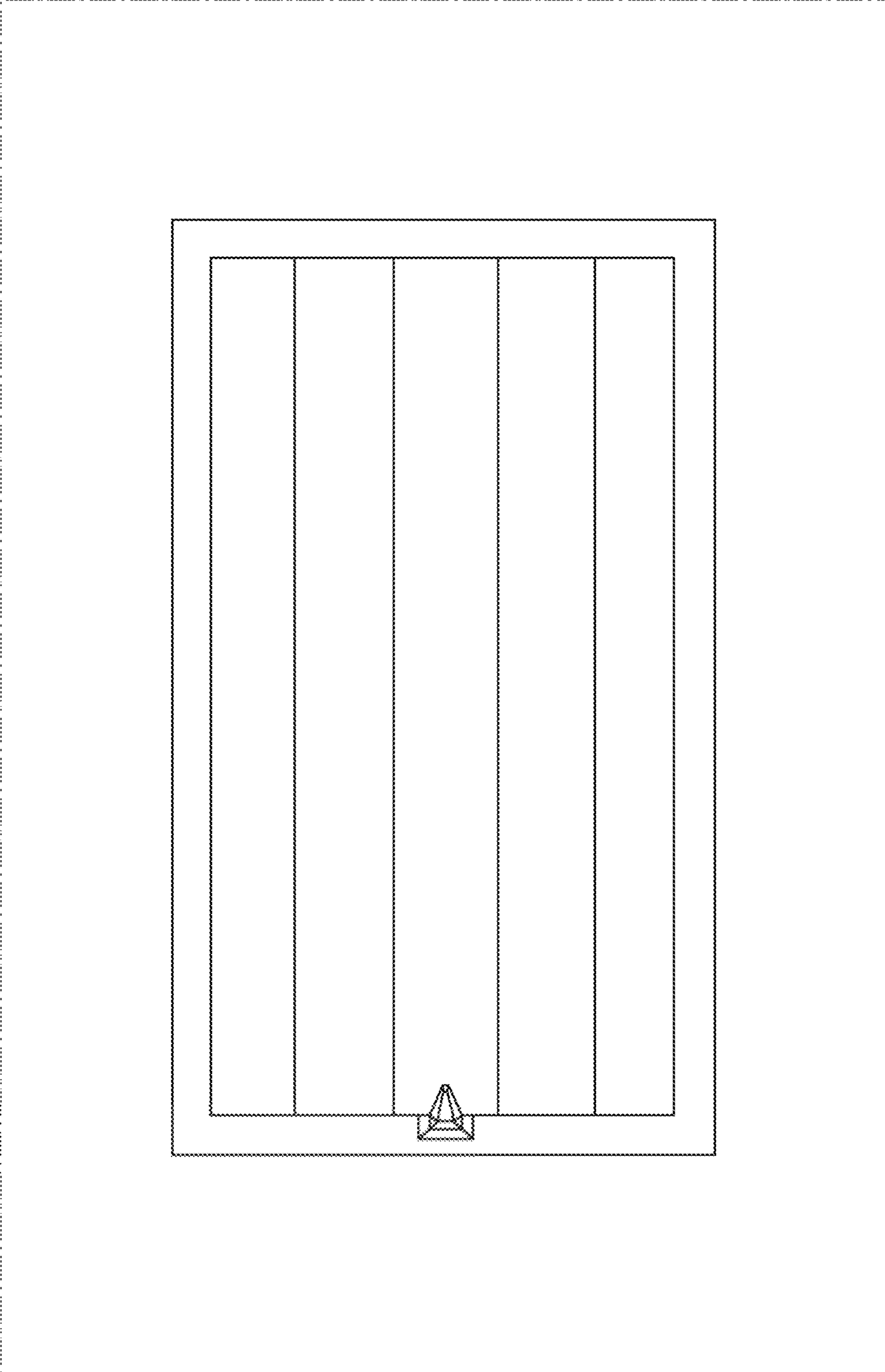


FIG. 3

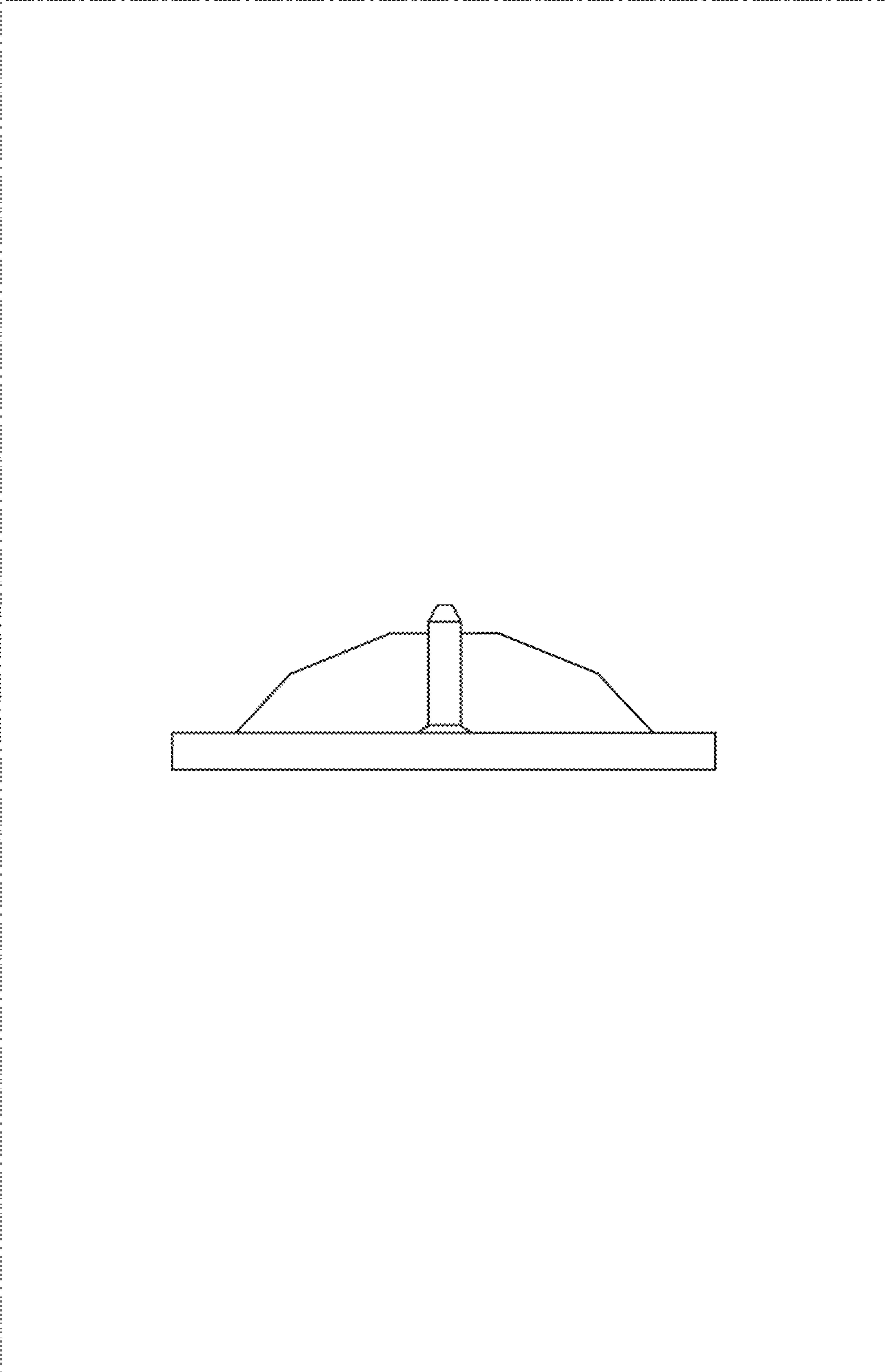


FIG. 4

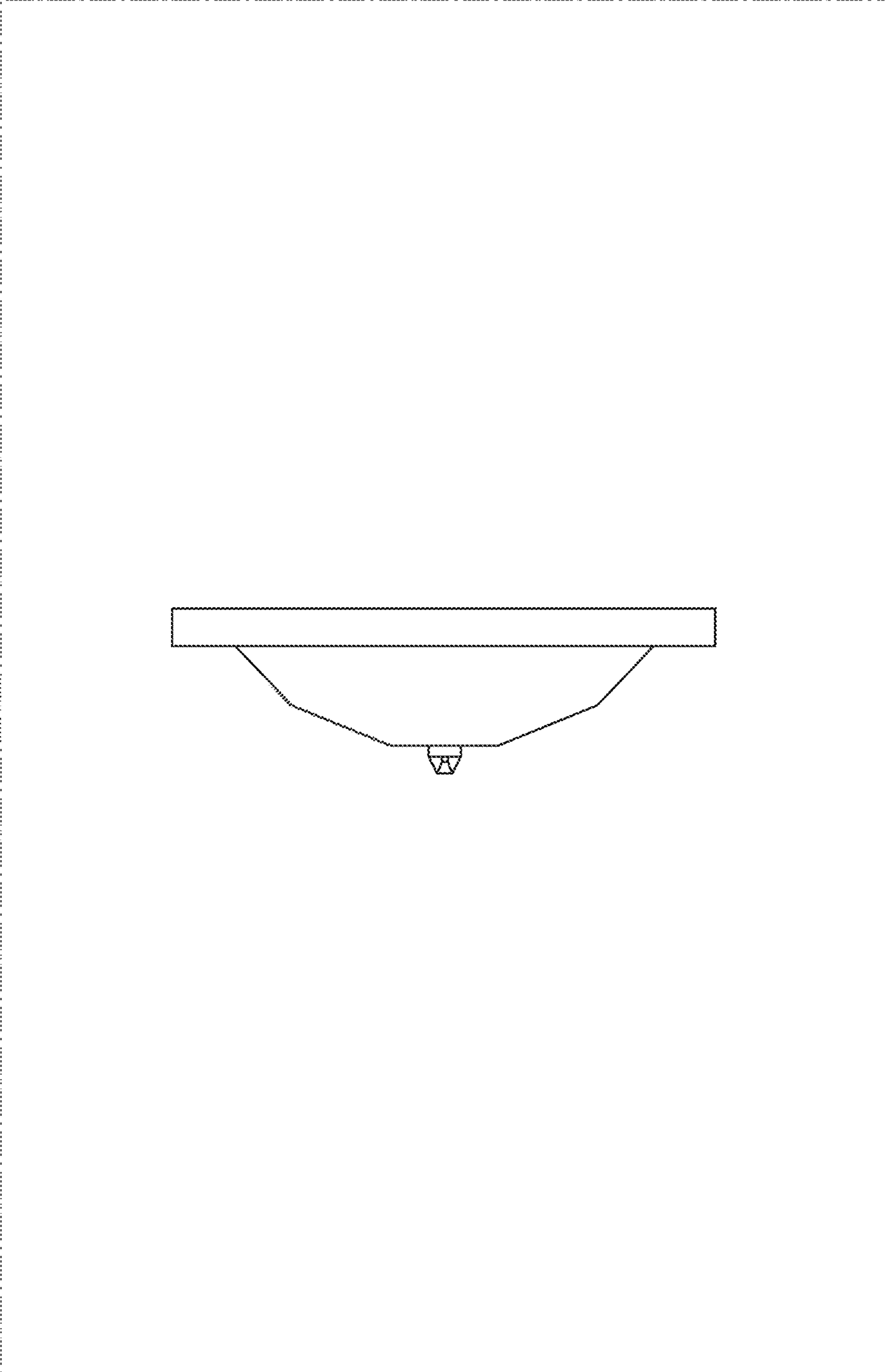


FIG. 5

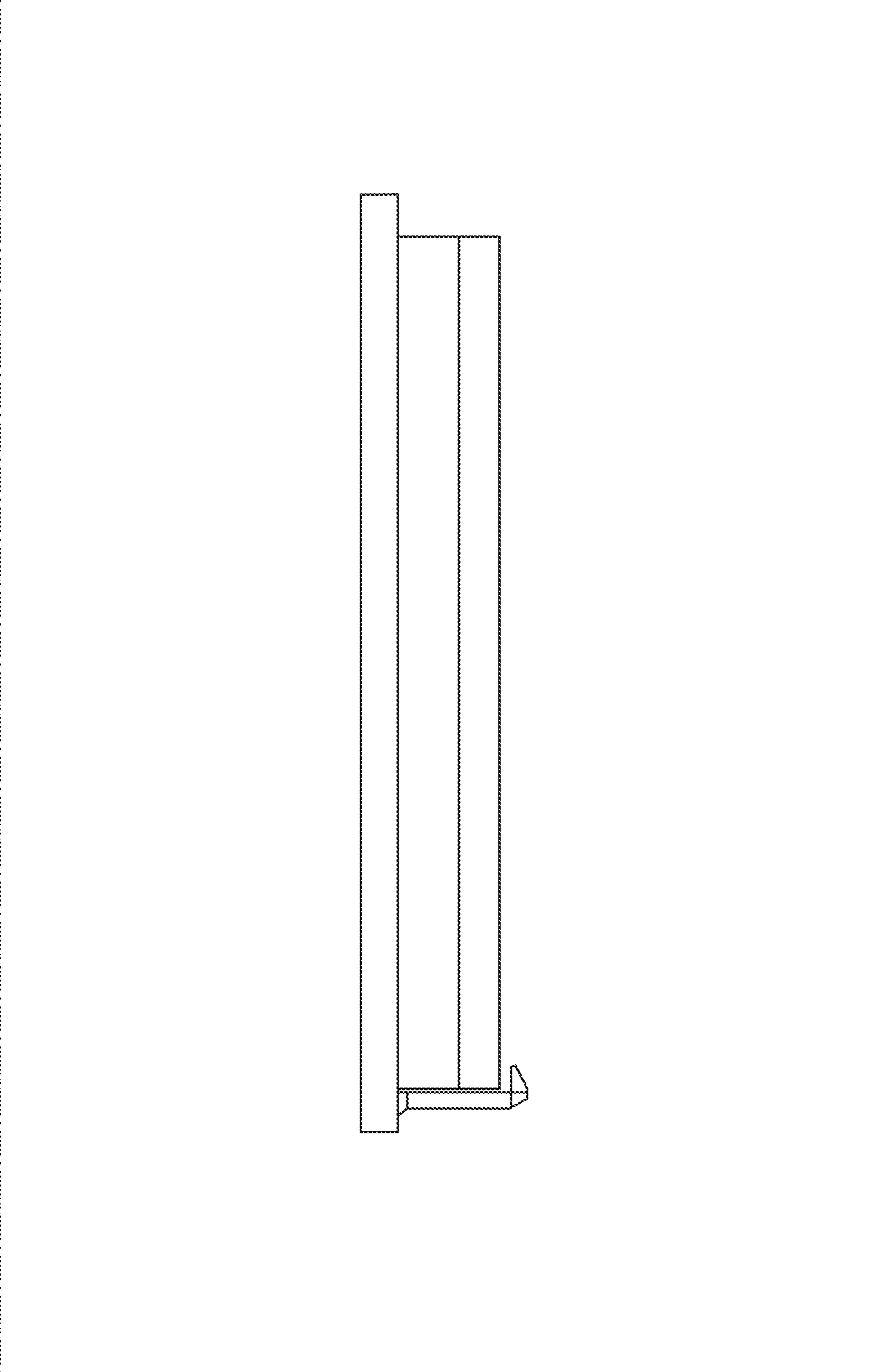


FIG. 6

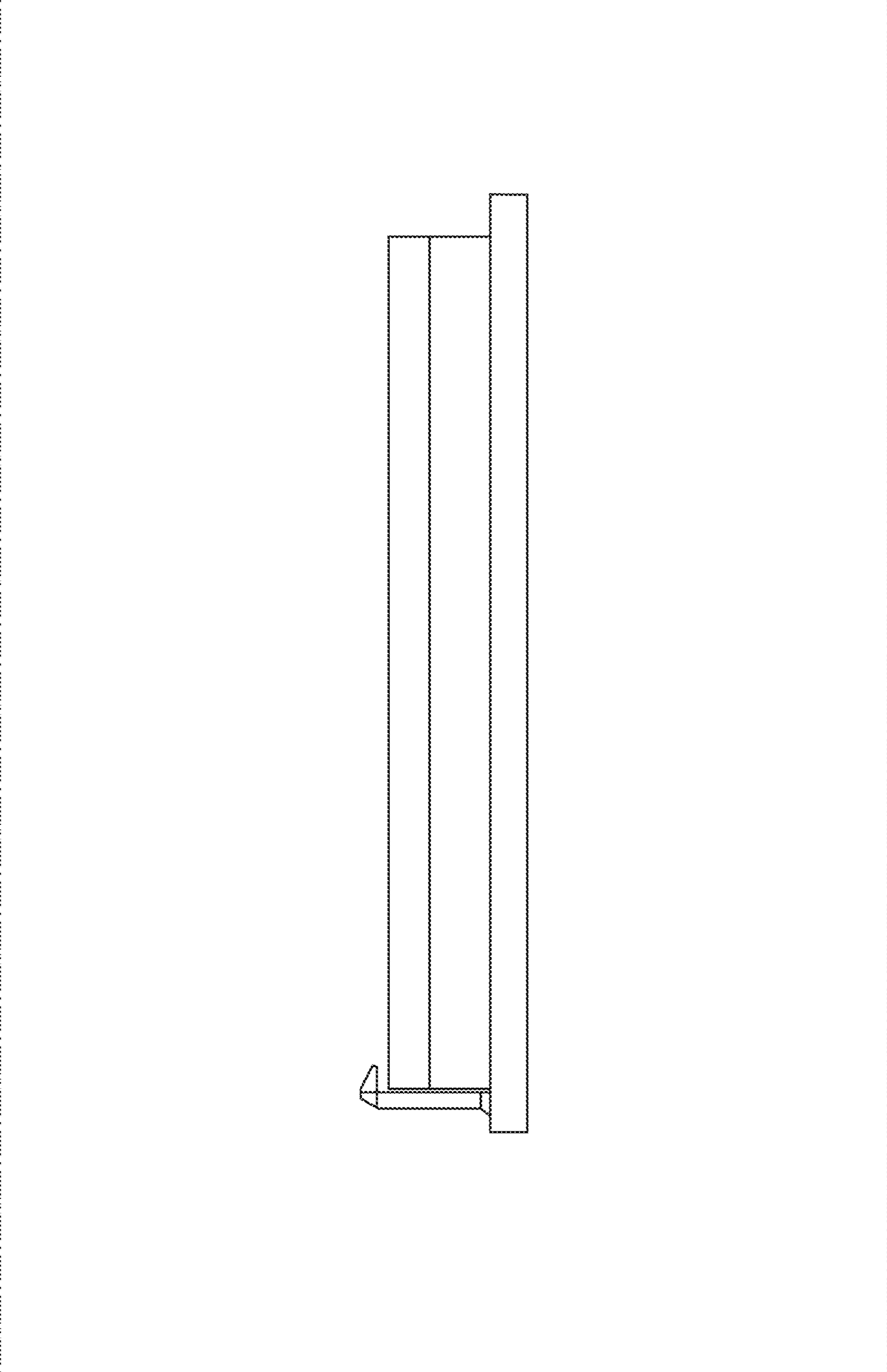


FIG. 7