



US00D869479S

(12) **United States Design Patent** (10) **Patent No.:** **US D869,479 S**
Pillalamarri et al. (45) **Date of Patent:** **** Dec. 10, 2019**

(54) **DISPLAY SCREEN WITH GRAPHICAL USER INTERFACE**

(71) Applicant: **INSULET CORPORATION**, Acton, MA (US)

(72) Inventors: **Sandhya Pillalamarri**, Methuen, MA (US); **Jorge Borges**, Billerica, MA (US); **Peter Syromiatnikov**, Billerica, MA (US)

(73) Assignee: **INSULET CORPORATION**, Acton, MA (US)

(**) Term: **15 Years**

(21) Appl. No.: **29/686,758**

(22) Filed: **Apr. 8, 2019**

Related U.S. Application Data

(60) Division of application No. 29/670,706, filed on Nov. 19, 2018, now abandoned, which is a continuation of application No. 29/658,907, filed on Aug. 3, 2018, now Pat. No. Des. 838,731, which is a division of (Continued)

(51) **LOC (12) Cl.** **14-04**

(52) **U.S. Cl.**
USPC **D14/485**

(58) **Field of Classification Search**

USPC D14/485-495; 345/1.1, 1.2, 2.1-2.3, 3.1, 345/902; 715/763, 810, 836, 837, 846, 715/847, 977; D20/10-12

CPC G06F 3/048; G06F 3/0481; G06F 3/04812; G06F 3/04817; G06F 3/0482; G06F 3/0483; G06F 3/0484; G06F 3/04847; G06F 3/0485; G06F 3/04855; G06F 3/04886; G06Q 30/00; H03J 1/00; H03J 1/0008; H03J 1/0016; H03J 1/0025; H04N 5/00; H04N 5/08; H04N 5/14; H04N 5/222; H04N 5/225; H04N 5/232; H04N 5/445; H04N 5/44543; H04N 5/45; H04N 2005/44517; H04N 2005/44521;

H04N 2005/44526; H04N 2005/4453; H04N 2005/44534; H04N 2005/44539; H04N 2005/44547; H04N 2005/44556; H04N 2005/4456; H04N 2005/44565; H04N 2005/44569; H04N 2005/44573; H04N

(Continued)

(56) **References Cited**

U.S. PATENT DOCUMENTS

D740,301 S * 10/2015 Soegiono G06F 3/04817 D14/485
D758,422 S * 6/2016 Zhao G06F 3/04817 D14/488
D759,079 S * 6/2016 Carlton D14/486 (Continued)

OTHER PUBLICATIONS

“How to do a Round Slider.” freecodecamp.org. Comment from Aug. 2018. Accessed Jul. 24, 2019. Available online at URL: <https://www.freecodecamp.org/forum/t/how-to-do-a-round-slider/220375> (Year: 2018).*

(Continued)

Primary Examiner — Cathron C Brooks
Assistant Examiner — Christian P. McLean

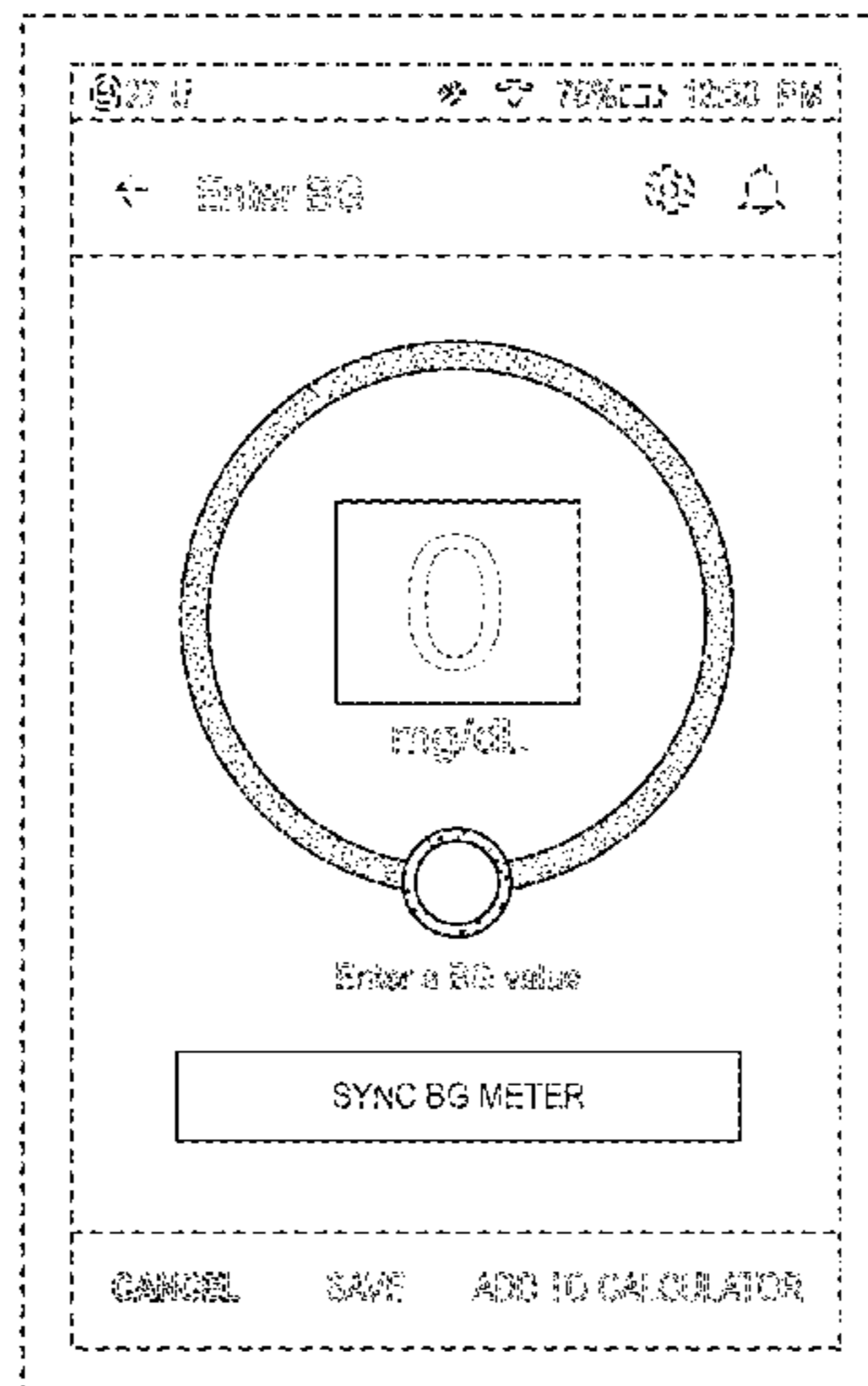
(57) **CLAIM**

The ornamental design for a display screen with a graphical user interface, as shown and described.

DESCRIPTION

The FIGURE is a front view of a display screen with a graphical user interface showing our new design. The outermost broken line illustrates a display screen and forms no part of the claimed design. The remaining broken lines illustrate portions of the graphical user interface that form no part of the claimed design.

1 Claim, 1 Drawing Sheet



Related U.S. Application Data

application No. 29/606,873, filed on Jun. 8, 2017,
now Pat. No. Des. 826,957.

(58) **Field of Classification Search**

CPC 21/00; H04N 21/234; H04N 21/431; H04N
21/4312; H04N 21/4314; H04N 21/4316
See application file for complete search history.

(56) **References Cited**

U.S. PATENT DOCUMENTS

D763,308	S	*	8/2016	Wang	D14/486
D763,868	S	*	8/2016	Lee	D14/485
D775,658	S	*	1/2017	Luo	D14/488
D786,278	S	*	5/2017	Motamedi	D14/485
D795,906	S	*	8/2017	Butrick	D14/486
D797,763	S	*	9/2017	Kim	D14/485
D802,008	S	*	11/2017	Zhang	D14/487
D816,090	S	*	4/2018	Stonecipher	D14/485
D824,400	S	*	7/2018	Chang	D14/485
D826,957	S	*	8/2018	Pillalamarri	D14/485
D830,384	S	*	10/2018	Lepine	D14/486

D830,385	S	*	10/2018	Lepine	D14/486
D831,033	S	*	10/2018	Leonard	D14/485
D838,731	S	*	1/2019	Pillalamarri	D14/485
D845,317	S	*	4/2019	Wellmeier	D14/486
D848,459	S	*	5/2019	Li	D14/486
D851,099	S	*	6/2019	Uppala	D14/485
2012/0124521	A1	*	5/2012	Guo	G06F 3/0482 715/834
2013/0298080	A1	*	11/2013	Griffin	G06F 3/0487 715/834
2015/0205509	A1	*	7/2015	Scriven	G04G 21/08 715/834
2015/0205511	A1	*	7/2015	Vinna	G06F 3/0481 715/716
2017/0131887	A1	*	5/2017	Kim	G04G 5/04
2019/0095052	A1	*	3/2019	De Wever	G06F 3/0482

OTHER PUBLICATIONS

“Circular Loader.” dribbble.com. Nov. 19, 2015. Accessed Jul. 24,
2019. Available online at URL: [https://dribbble.com/shots/2362441-](https://dribbble.com/shots/2362441-Circular-Loader)
Circular-Loader (Year: 2015).*

* cited by examiner

