

US00D869466S

(12) **United States Design Patent**
Chu et al.

(10) **Patent No.:** **US D869,466 S**

(45) **Date of Patent:** **** Dec. 10, 2019**

(54) **DOCKING STATION**

(71) Applicants: **Shu-Hsien Chu**, Taipei (TW);
Wang-Hung Yeh, Taipei (TW);
Hsin-Chieh Fang, Taipei (TW);
Ching-Shiang Chang, Taipei (TW)

(72) Inventors: **Shu-Hsien Chu**, Taipei (TW);
Wang-Hung Yeh, Taipei (TW);
Hsin-Chieh Fang, Taipei (TW);
Ching-Shiang Chang, Taipei (TW)

(73) Assignee: **COMPAL ELECTRONICS, INC.**,
Taipei (TW)

(**) Term: **15 Years**

(21) Appl. No.: **29/649,718**

(22) Filed: **Jun. 1, 2018**

(51) **LOC (12) Cl.** **14-02**

(52) **U.S. Cl.**
USPC **D14/434**

(58) **Field of Classification Search**
USPC D14/434, 356, 358, 447, 496, 149, 221,
D14/224, 224.1, 238.1, 240, 251, 252,
D14/253, 209.1, 217, 168, 172; D13/107,
D13/108; D6/310; D10/128
CPC G06F 1/16; G06F 1/1616; G06F 1/1626;
G06F 1/1632; G06F 1/1675; G06F
1/1688; F16M 11/10; F16M 11/24; H04M
1/04
See application file for complete search history.

(56) **References Cited**

U.S. PATENT DOCUMENTS

2,611,572 A * 9/1952 La Rocca G09F 1/06
248/174
3,251,572 A * 5/1966 Klitzner G09F 1/14
248/456
D302,767 S * 8/1989 Morrozzi D6/310
D353,942 S * 1/1995 Lo D6/310

D410,683 S * 6/1999 Carter D19/113
6,508,451 B1 * 1/2003 Blythe F16M 11/10
248/351
D636,397 S * 4/2011 Green D14/447
D637,583 S * 5/2011 Beal D14/251
D638,021 S * 5/2011 Derry D14/447
D639,810 S * 6/2011 Hwang D14/434
D648,727 S * 11/2011 Van Den Nieuwenhuizen
D14/447

(Continued)

Primary Examiner — Marie D. Fast Horse
(74) *Attorney, Agent, or Firm* — JCIPRNET

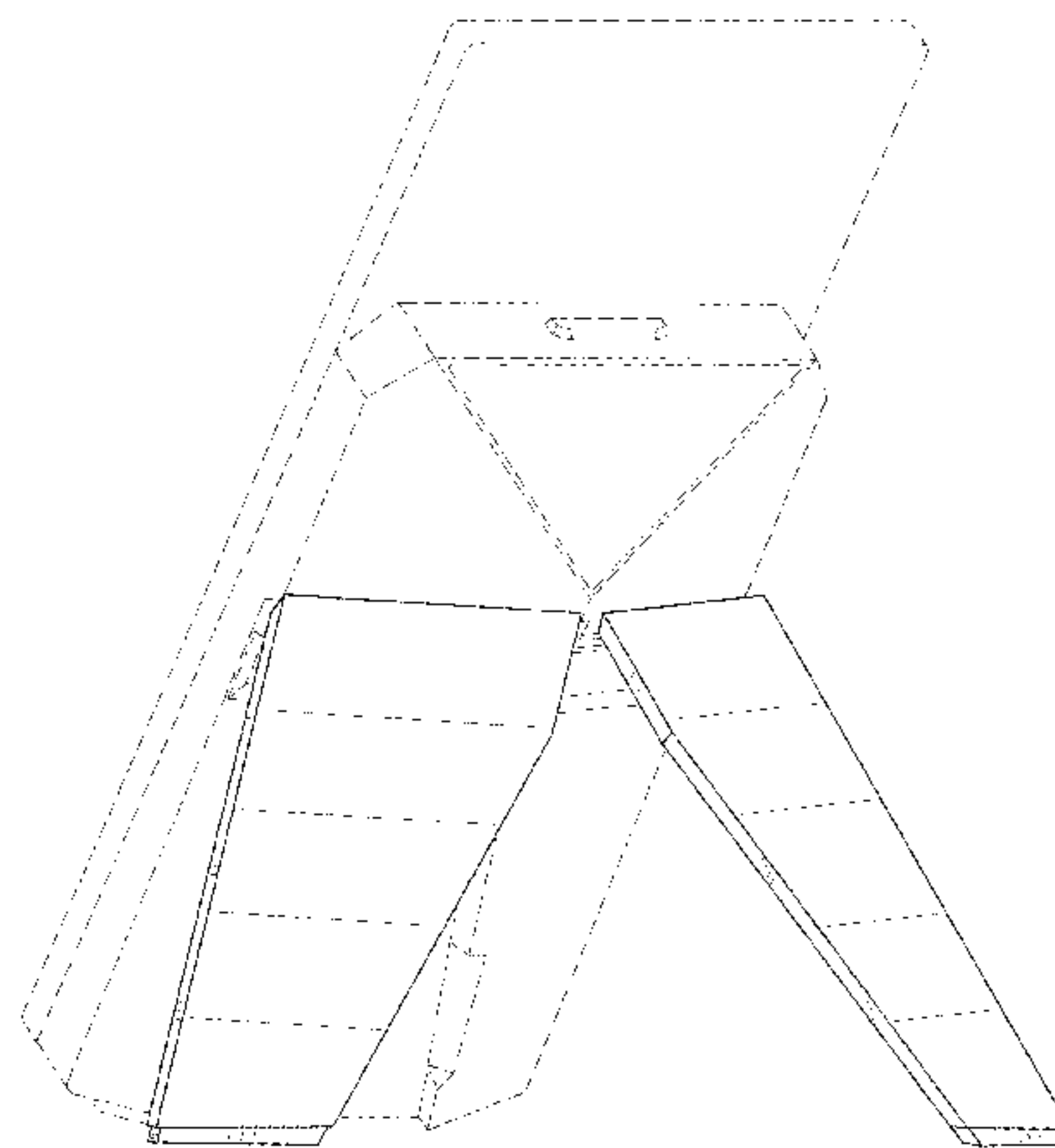
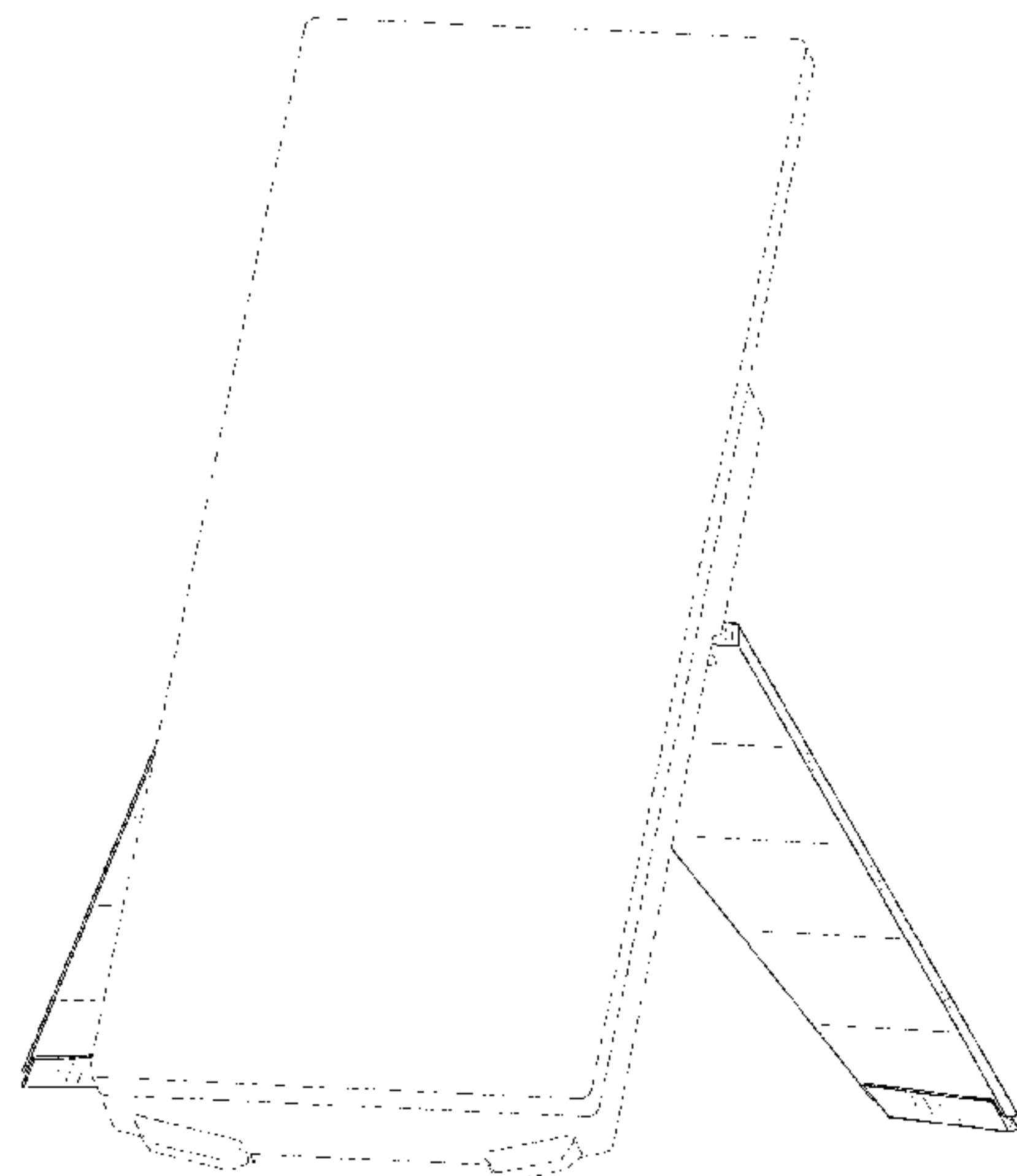
(57) **CLAIM**

The ornamental design for a docking station, as shown and described.

DESCRIPTION

FIG. 1 is a perspective view of a docking station showing our new design;
FIG. 2 is another perspective view thereof;
FIG. 3 is a front view thereof;
FIG. 4 is a rear view thereof;
FIG. 5 is a left side view thereof;
FIG. 6 is a right side view thereof;
FIG. 7 is a top view thereof;
FIG. 8 is a bottom view thereof;
FIG. 9 is a front view thereof, shown with the stand in a closed position for use;
FIG. 10 is a rear view thereof, shown with the stand in a closed position for use;
FIG. 11 is a left side view thereof, shown with the stand in a closed position for use;
FIG. 12 is a right view thereof, shown with the stand in a closed position for use;
FIG. 13 is a top view thereof, shown with the stand in a closed position for use; and,
FIG. 14 is a bottom view thereof, shown with the stand in a closed position for use.
The dashed broken lines illustrate portions of the docking station and form no part of the claimed design.

1 Claim, 13 Drawing Sheets



(56)

References Cited

U.S. PATENT DOCUMENTS

D652,834 S *	1/2012	Jones	D14/434	D780,166 S *	2/2017	Lin	D14/250
D658,168 S *	4/2012	Werth	D14/253	D795,238 S *	8/2017	Kim	D14/250
D658,189 S *	4/2012	Zhao	D14/447	D808,940 S *	1/2018	Debaigue	D14/239
D663,294 S *	7/2012	Buxton	D14/250	D811,386 S *	2/2018	Oakley	D14/447
D667,394 S *	9/2012	Bau	D14/132	D811,753 S *	3/2018	Conrad	D6/310
D677,264 S *	3/2013	Lu	D14/451	D830,356 S *	10/2018	Deng	D14/250
D679,700 S *	4/2013	Werth	D14/253	D831,668 S *	10/2018	Oakley	D14/451
D685,378 S *	7/2013	Deng	D14/447	D833,450 S *	11/2018	Oakley	D14/451
D690,647 S *	10/2013	Huang	D13/108	10,182,649 B2 *	1/2019	van Hoofft	A47B 23/043
D697,477 S *	1/2014	Jonas, III	D13/108	D847,804 S *	5/2019	Polseno	D14/250
D703,659 S *	4/2014	Werth	D14/253	D853,372 S *	7/2019	Kim	D14/250
D706,254 S *	6/2014	Chang	D14/250	D855,603 S *	8/2019	Kim	D14/250
D712,376 S *	9/2014	Lui	D14/209.1	D855,604 S *	8/2019	Kim	D14/250
D714,793 S *	10/2014	Kim	D14/447	D855,605 S *	8/2019	Kim	D14/250
D721,713 S *	1/2015	Ko	D14/451	D855,606 S *	8/2019	Kim	D14/250
D723,536 S *	3/2015	Werth	D14/253	10,368,620 B2 *	8/2019	Rindlisbacher	A45C 11/00
D725,121 S *	3/2015	Kim	D14/451	2009/0320335 A1 *	12/2009	Thomas	G09F 1/14 40/1
D725,644 S *	3/2015	Schulter	D14/253	2010/0059649 A1 *	3/2010	Buxton	F16M 11/10 248/371
D727,320 S *	4/2015	Lee	D14/374	2015/0175309 A1 *	6/2015	McGowan	G06F 1/1656 224/191
D745,013 S *	12/2015	Brierley	D14/440	2016/0045002 A1 *	2/2016	Butts	A45C 11/00 224/191
D755,773 S *	5/2016	Kim	D14/250	2017/0307133 A1 *	10/2017	Minn	G06F 1/1626
D774,500 S *	12/2016	Reese	D14/250					
D777,154 S *	1/2017	McGowan	D14/250					

* cited by examiner

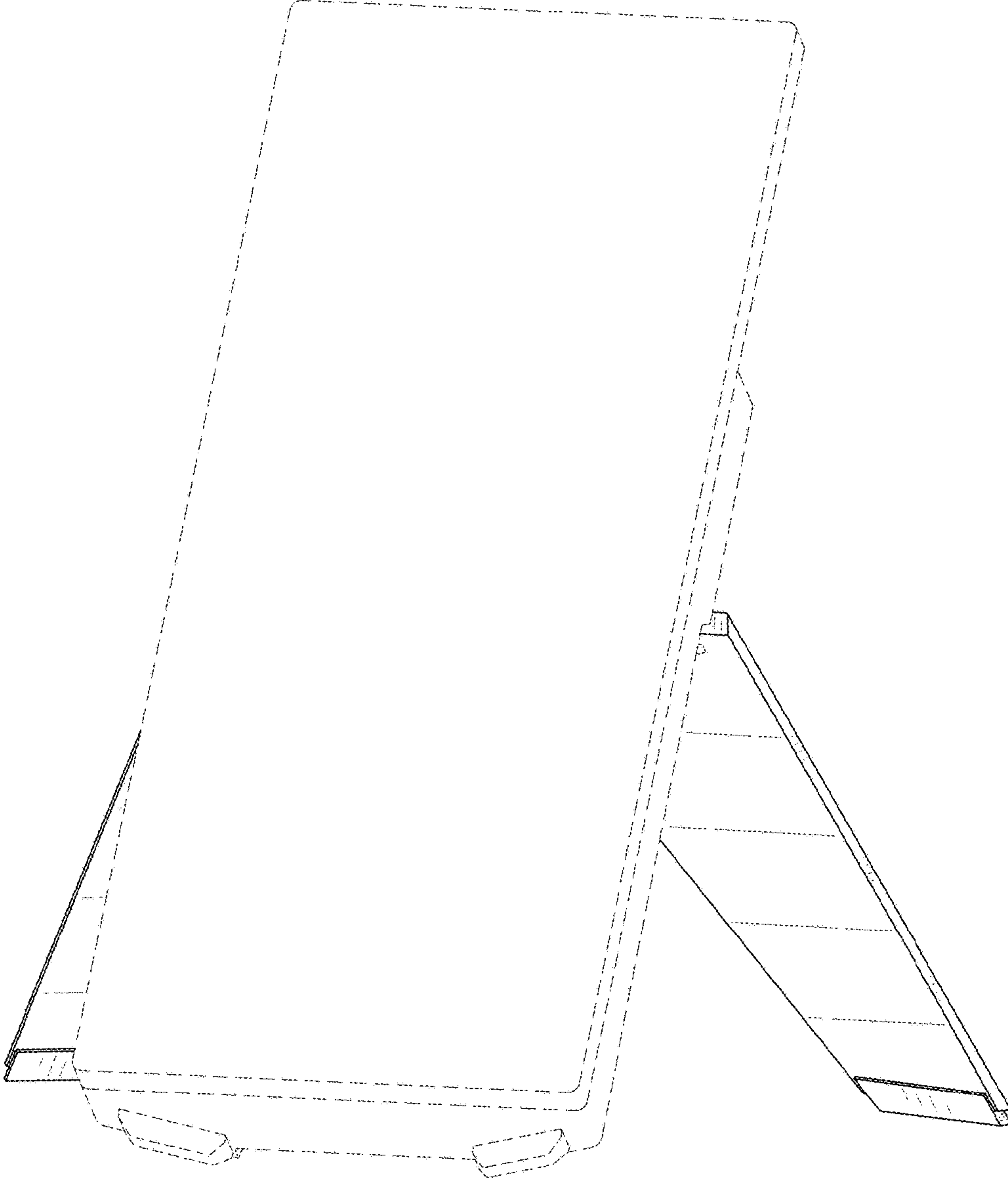


FIG. 1

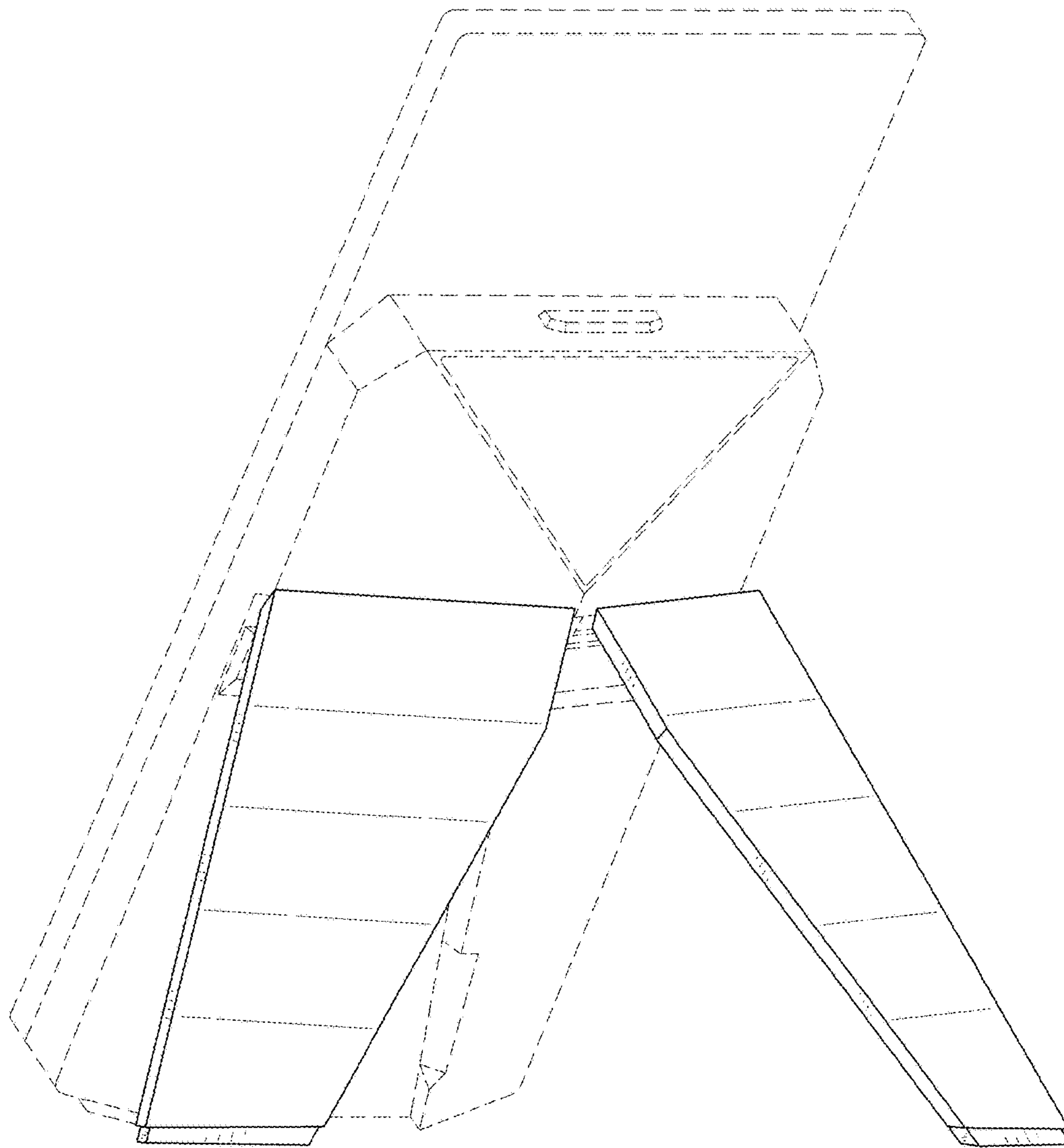


FIG. 2

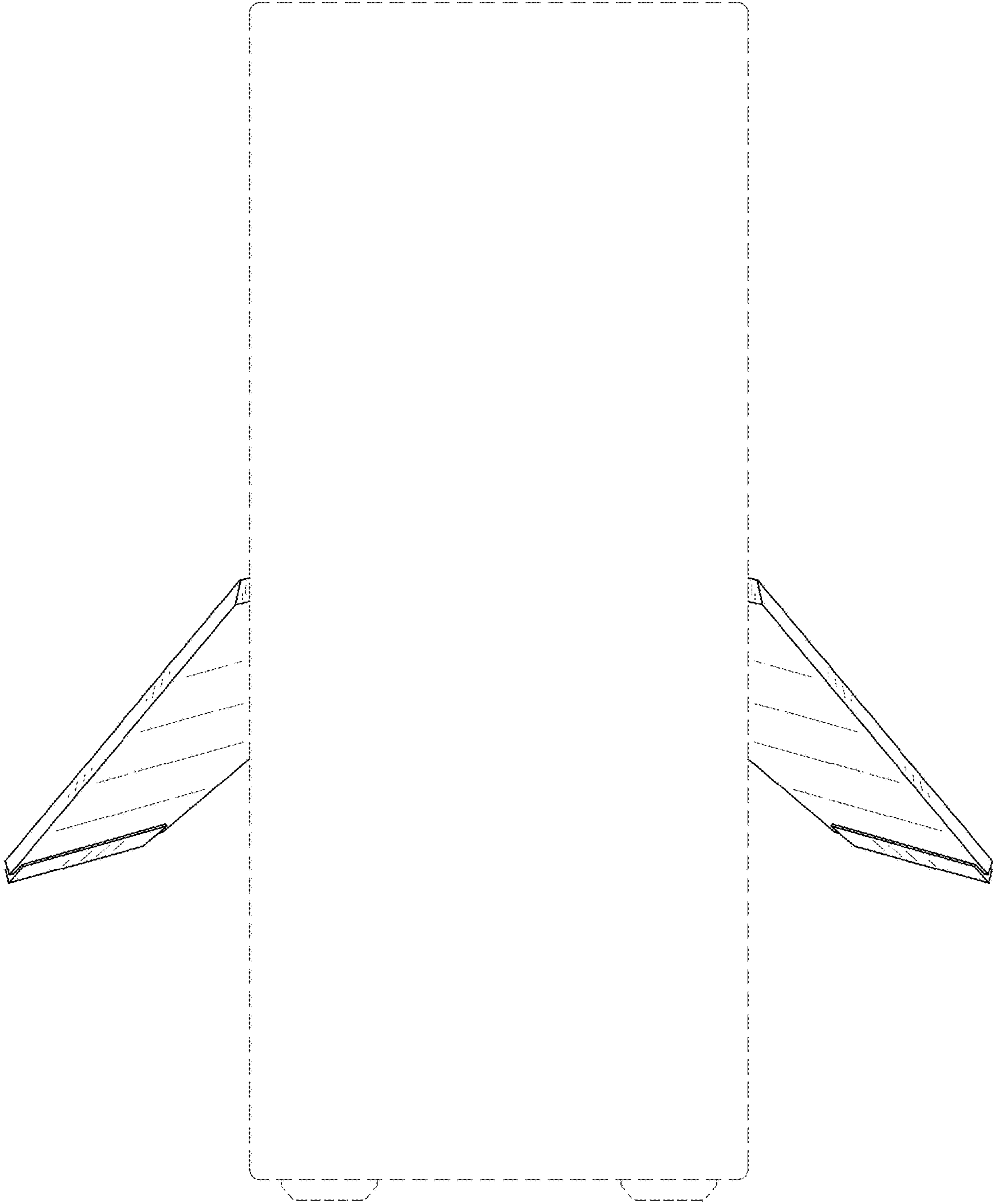


FIG. 3

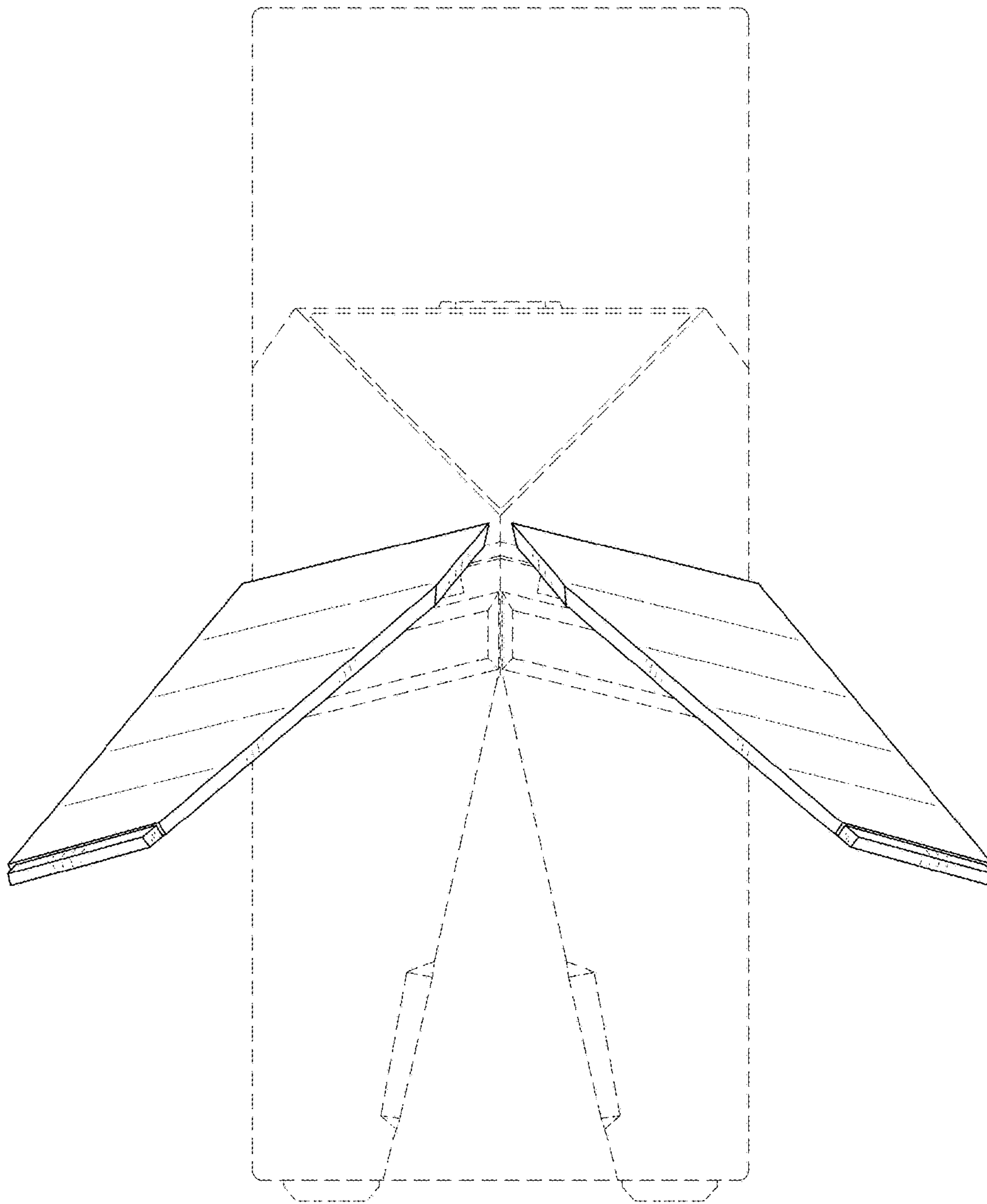


FIG. 4

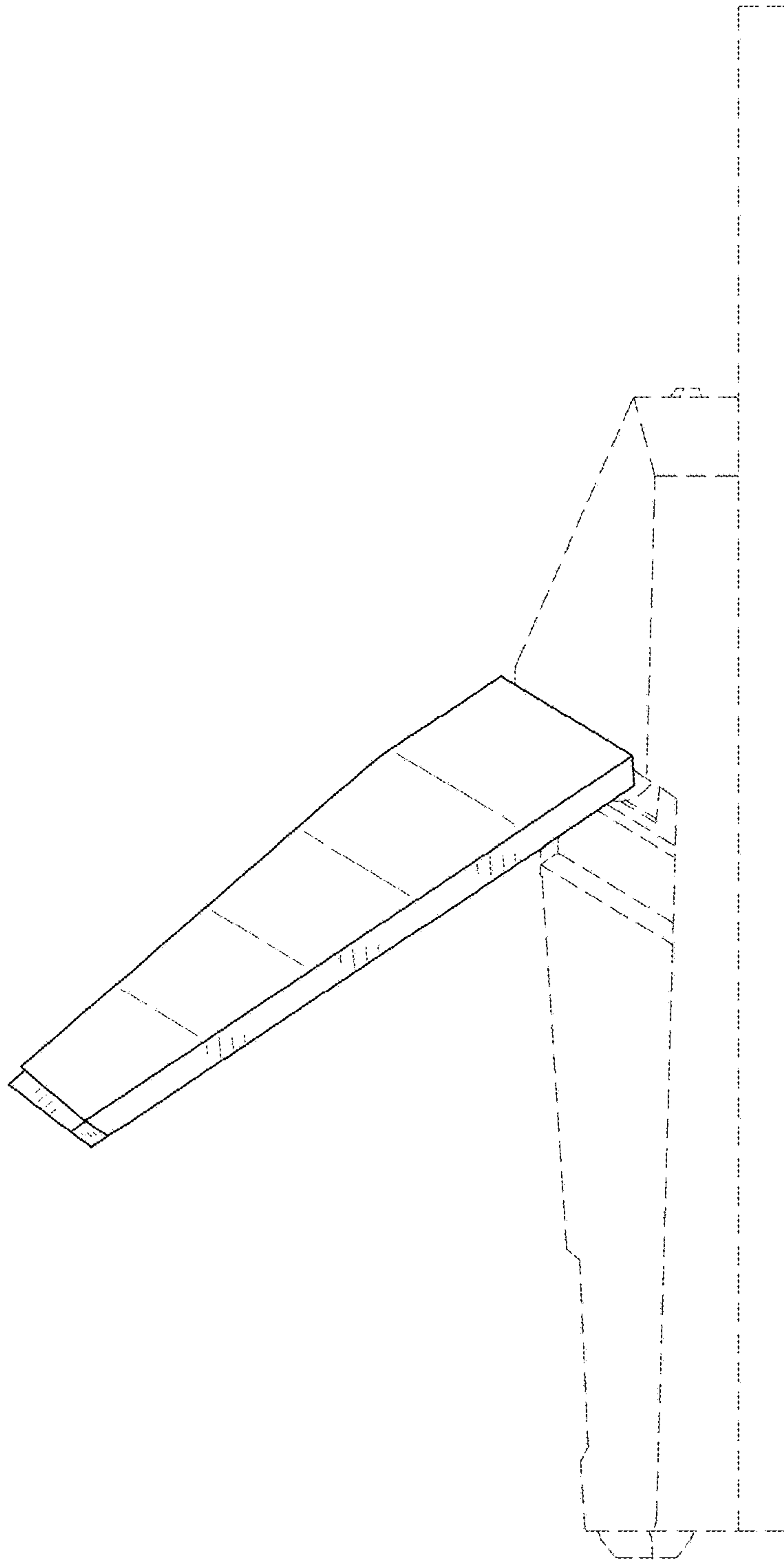


FIG. 5

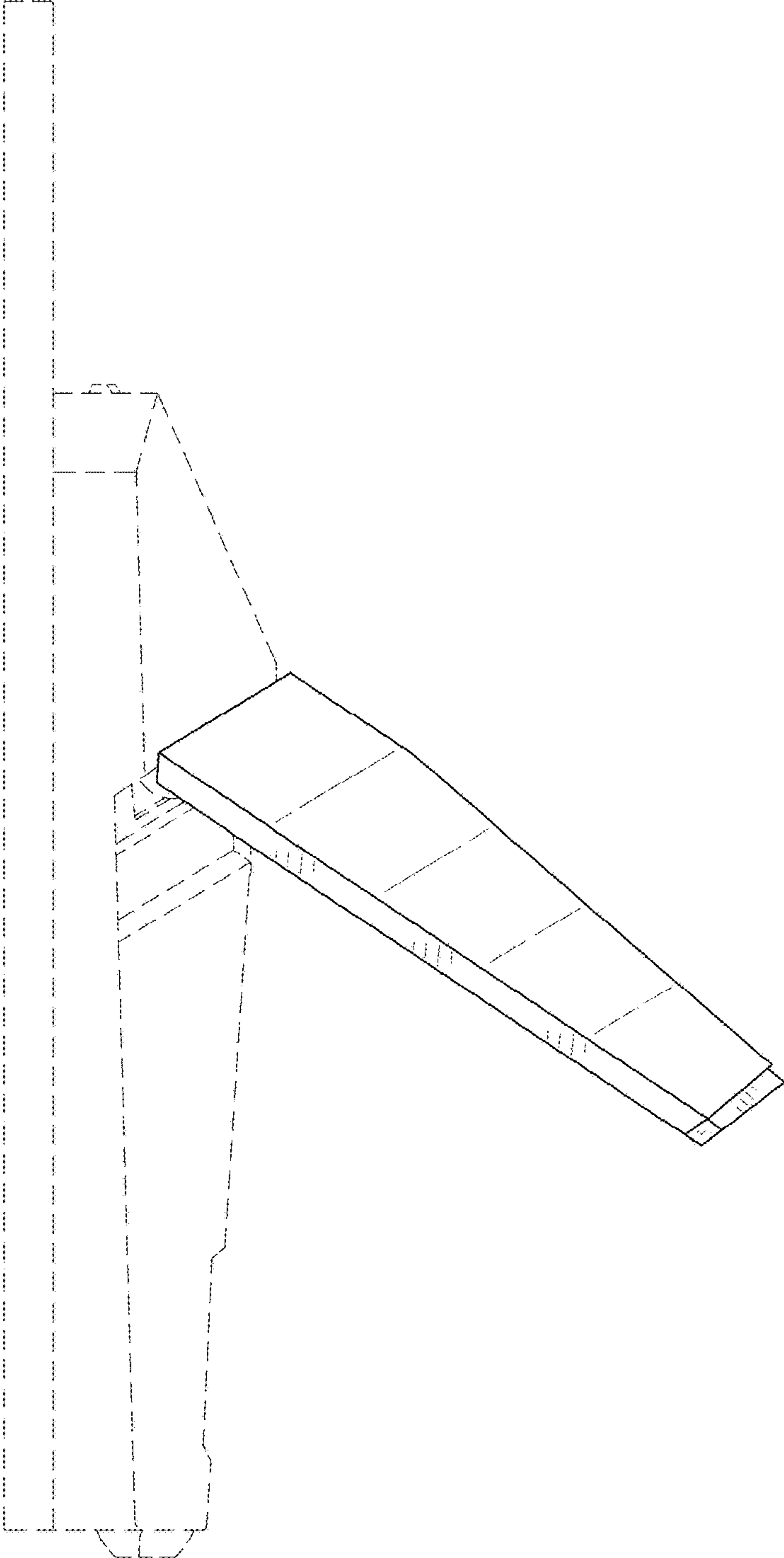


FIG. 6

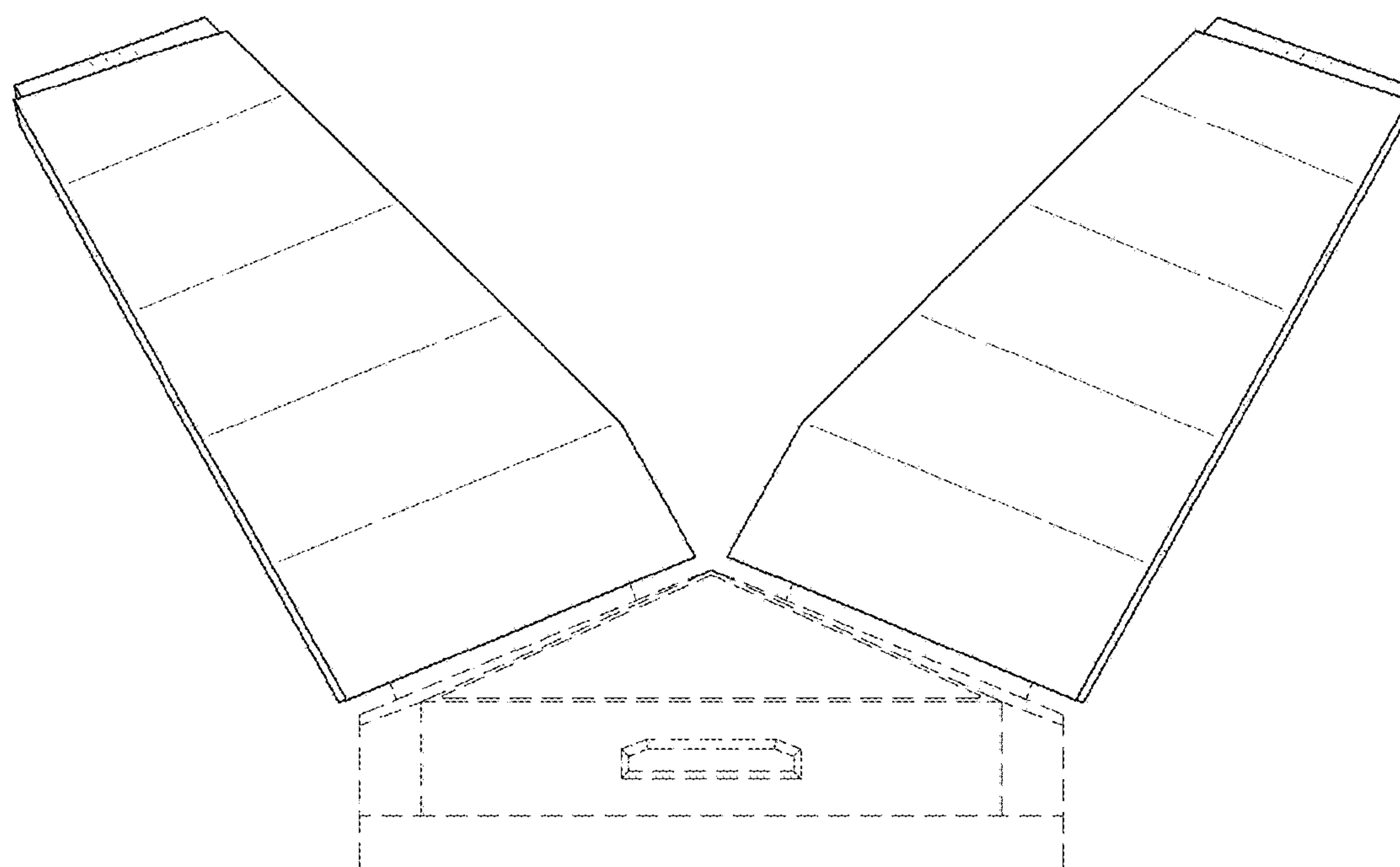


FIG. 7

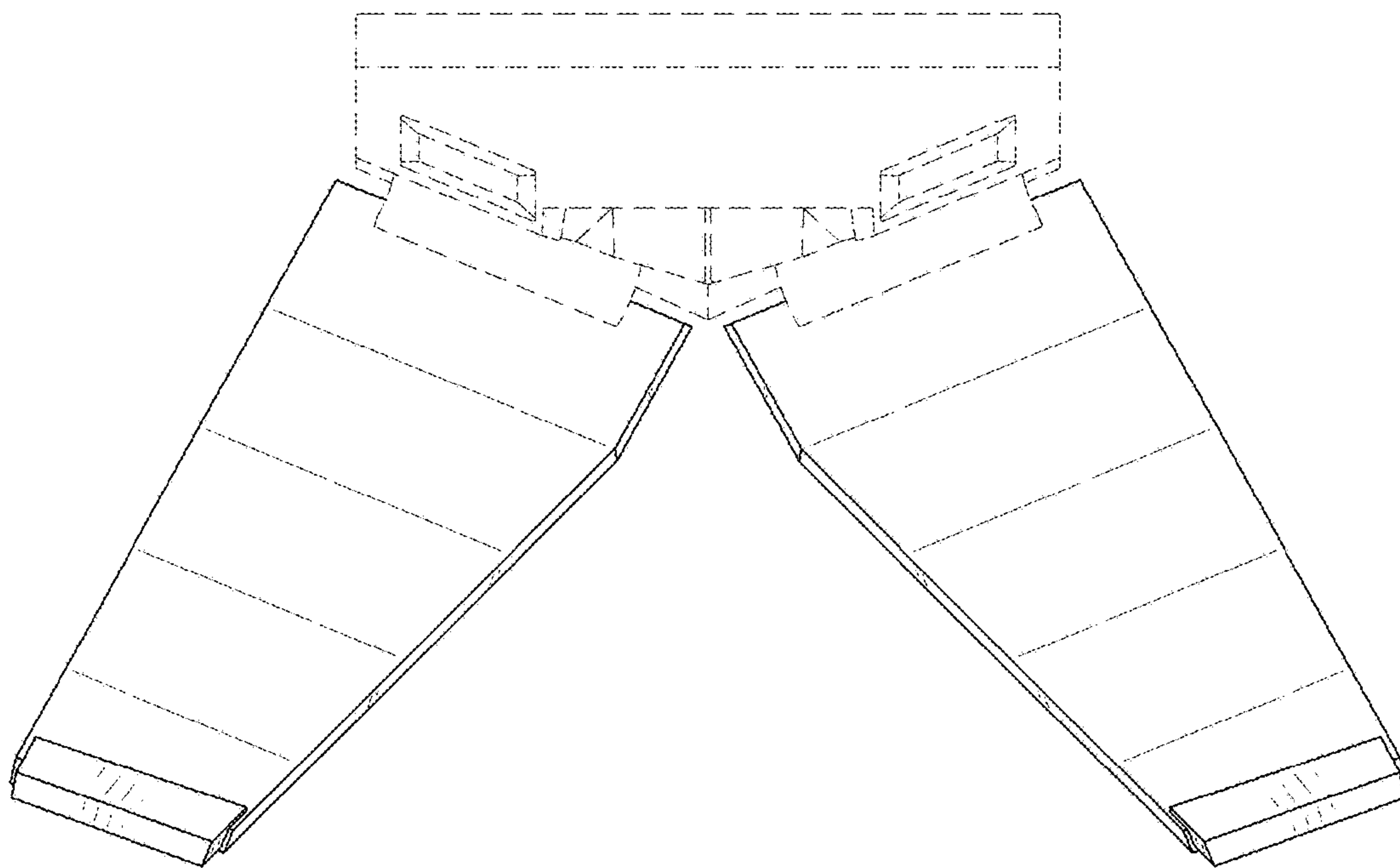


FIG. 8

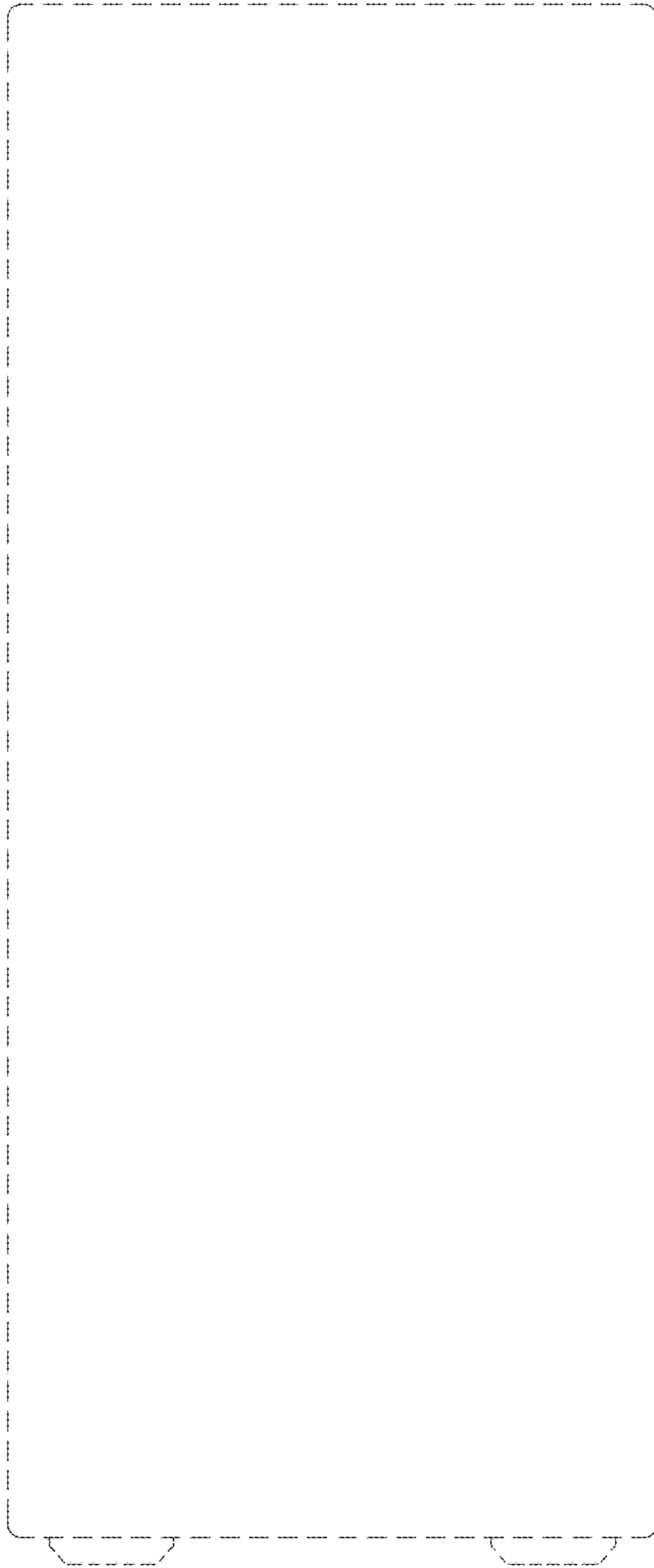


FIG. 9

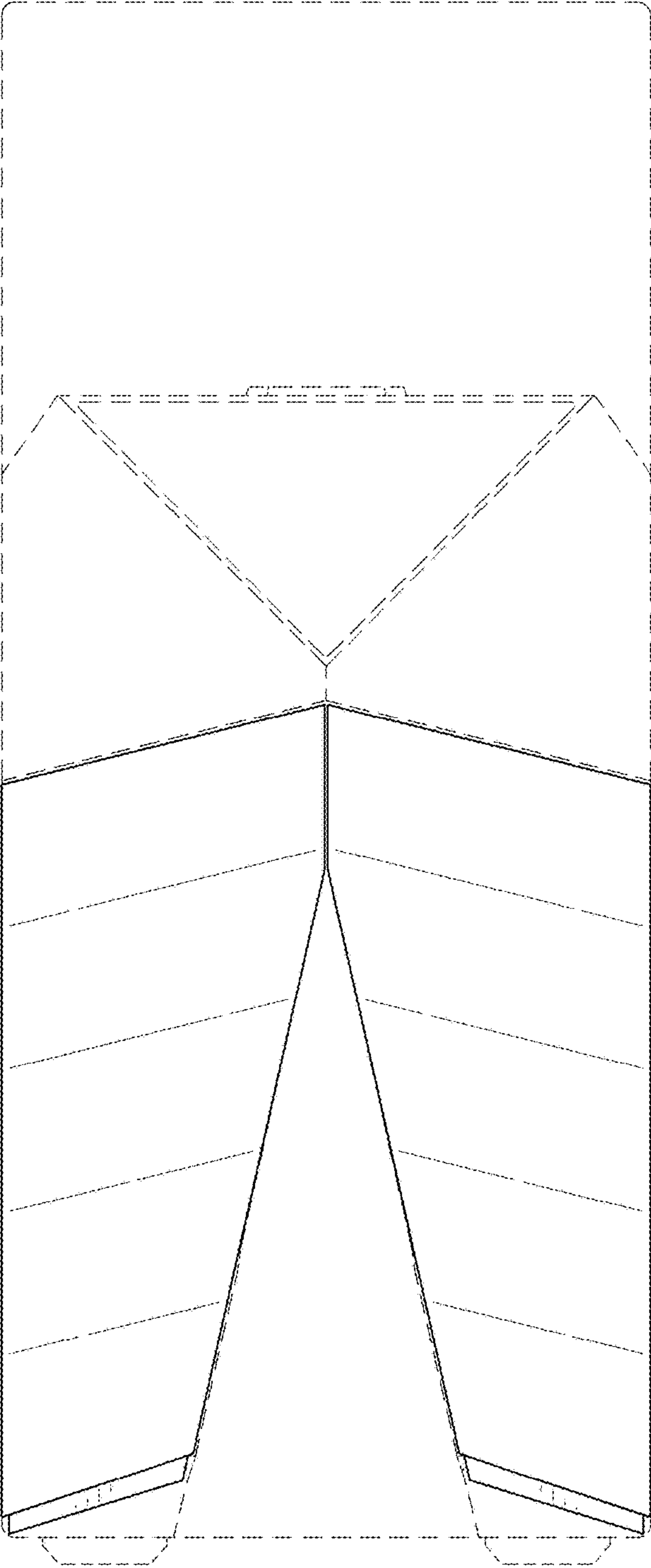


FIG. 10

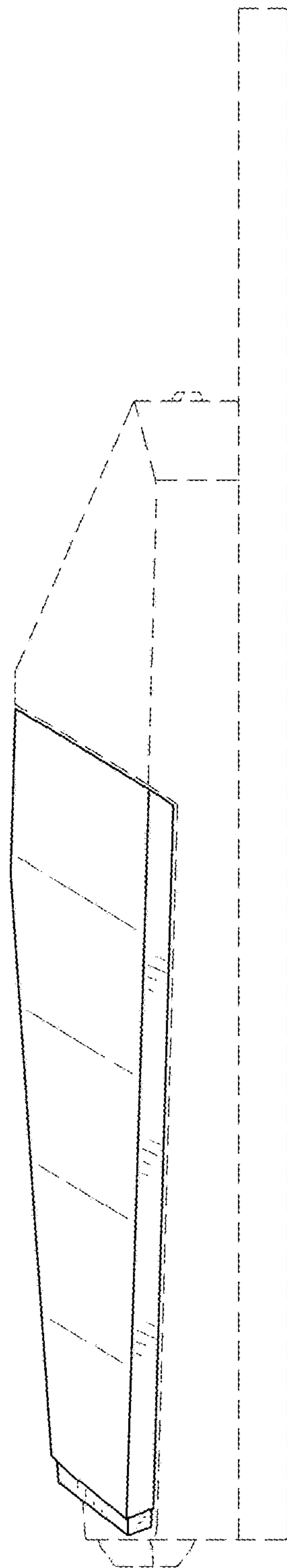


FIG. 11

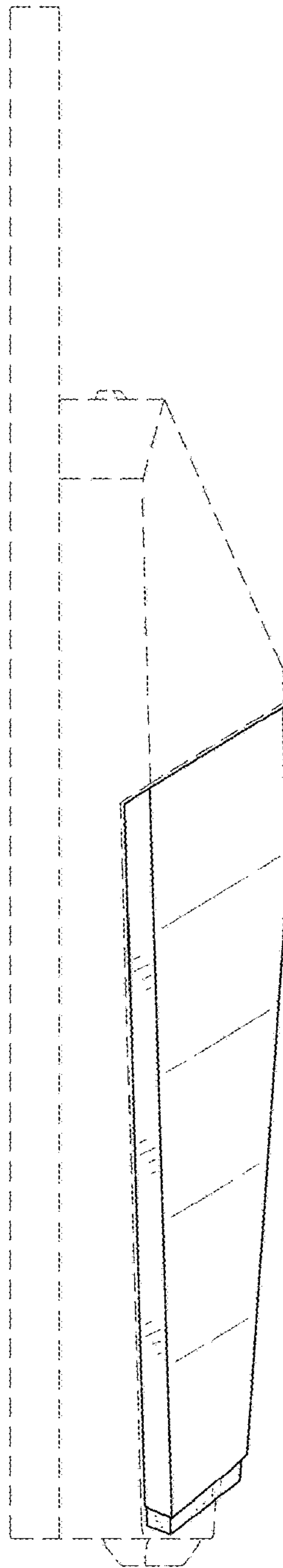


FIG. 12

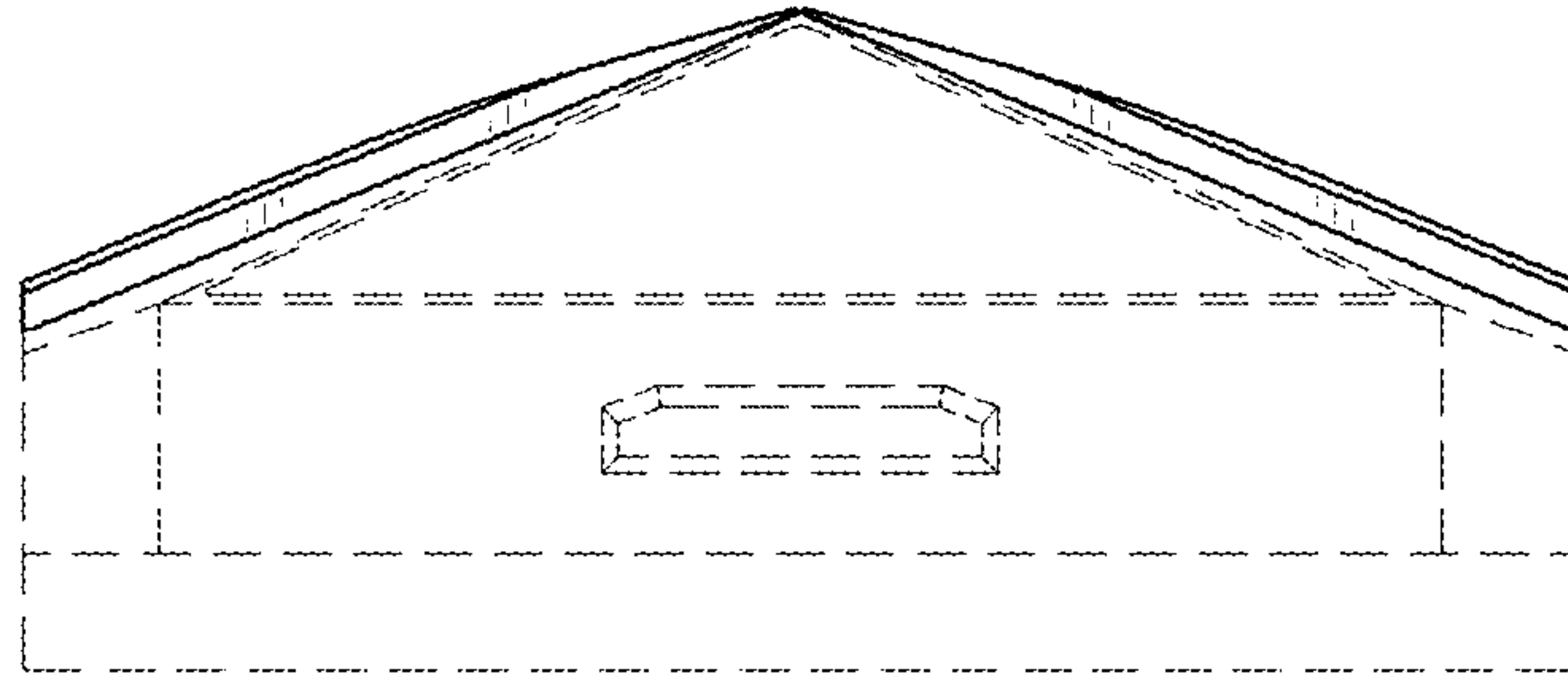


FIG. 13

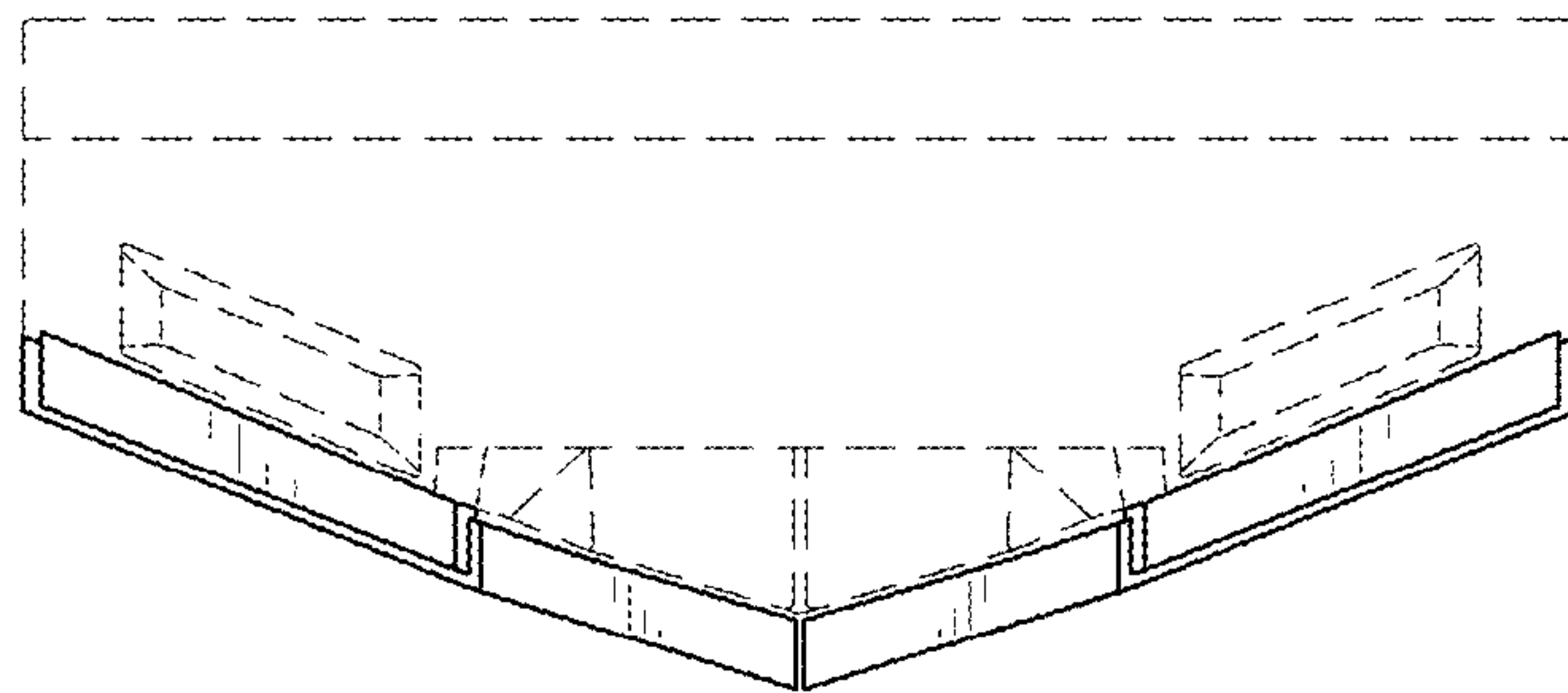


FIG. 14