

US00D869464S

(12) **United States Design Patent**  
**Chang et al.**

(10) **Patent No.:** **US D869,464 S**

(45) **Date of Patent:** **\*\* Dec. 10, 2019**

(54) **HEADBAND FOR HEAD MOUNT DISPLAY**

(71) Applicant: **Acer Incorporated**, New Taipei (TW)

(72) Inventors: **Hao-Ming Chang**, New Taipei (TW);  
**Ker-Wei Lin**, New Taipei (TW);  
**Chun-Ta Chen**, New Taipei (TW);  
**Chun-Kai Cho**, New Taipei (TW);  
**Chun-Yu Chen**, New Taipei (TW);  
**Yu-Lin Huang**, New Taipei (TW)

(73) Assignee: **Acer Incorporated**, New Taipei (TW)

(\*\*) Term: **15 Years**

(21) Appl. No.: **29/667,954**

(22) Filed: **Oct. 25, 2018**

(30) **Foreign Application Priority Data**

Apr. 26, 2018 (TW) ..... 107302338

(51) **LOC (12) Cl.** ..... **14-02**

(52) **U.S. Cl.**  
USPC ..... **D14/372**

(58) **Field of Classification Search**  
USPC ..... D14/125, 126, 129, 299, 372, 432, 496;  
D16/300-342; 351/144, 158, 153;  
345/7-9, 905; 455/344; 348/53, 115,  
348/121, 739  
CPC ..... G02B 27/017; G02B 27/0158; G02B  
27/0161; G02B 27/0181; G02B 27/0185;  
G02B 27/0189

See application file for complete search history.

(56) **References Cited**

**U.S. PATENT DOCUMENTS**

D356,796 S \* 3/1995 Jones ..... D14/239  
D398,403 S \* 9/1998 Bishop ..... D24/231

D780,753 S \* 3/2017 Park ..... D14/372  
D791,126 S \* 7/2017 Sullivan ..... D14/372  
9,857,596 B2 \* 1/2018 Drinkwater ..... G02B 27/0176  
9,857,839 B1 \* 1/2018 Bristol ..... G06F 1/163  
9,874,755 B2 \* 1/2018 Tempel ..... G02B 27/0176  
D809,517 S \* 2/2018 Sakata ..... D14/372  
D829,208 S \* 9/2018 Dallmeyer ..... D14/372  
D840,399 S \* 2/2019 Miller ..... D14/372  
10,338,637 B1 \* 7/2019 Bristol ..... A45F 5/00  
2018/0196485 A1 \* 7/2018 Cheng ..... G06F 1/206  
2018/0335632 A1 \* 11/2018 Cho ..... G02B 7/002

\* cited by examiner

*Primary Examiner* — Katie Jane Stofko

(74) *Attorney, Agent, or Firm* — JCIPRNET

(57) **CLAIM**

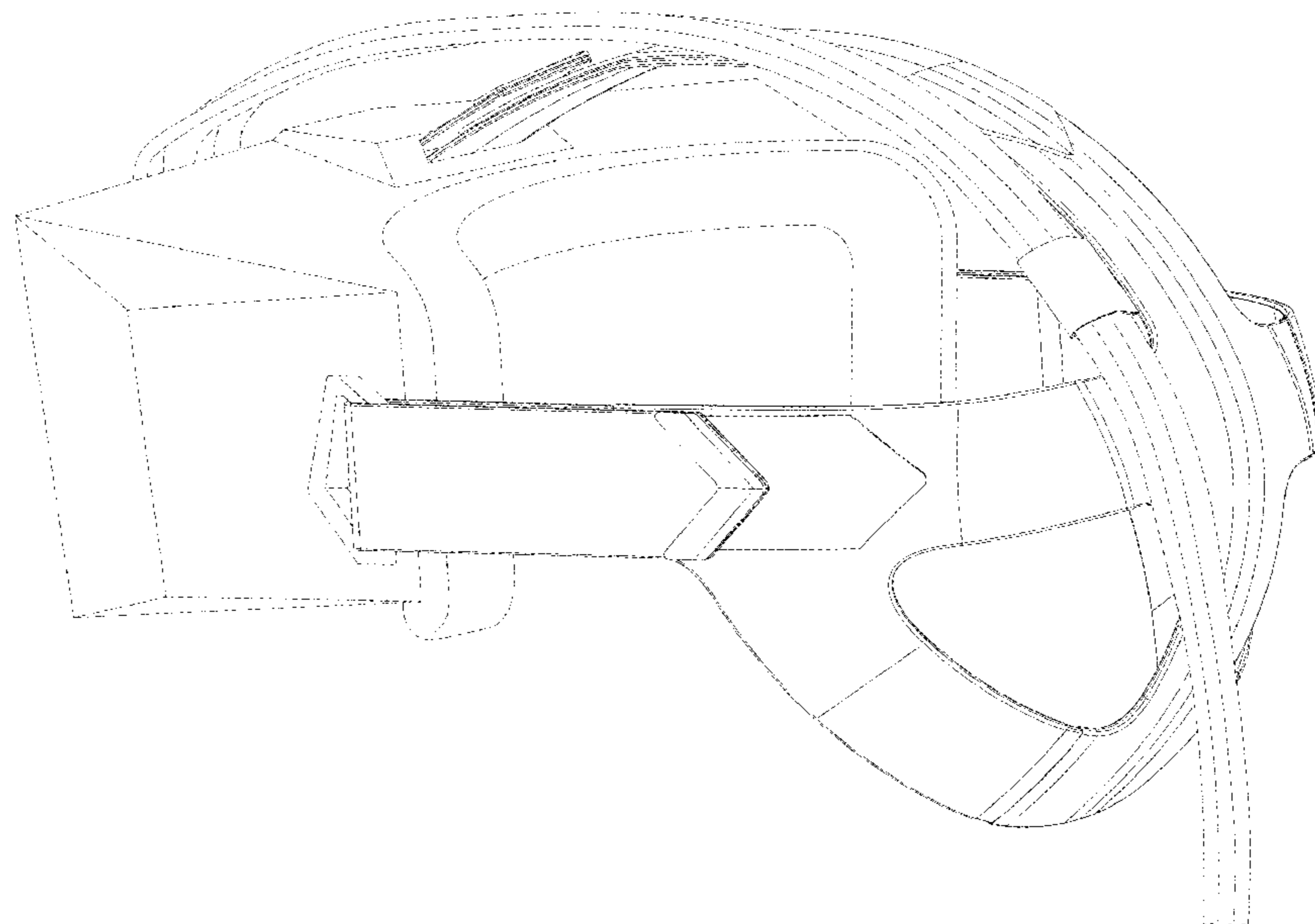
The ornamental design for a headband for head mount display, as shown and described.

**DESCRIPTION**

FIG. 1 is a perspective view of a headband for head mount display showing our new design;  
FIG. 2 is another perspective view thereof;  
FIG. 3 is still another perspective view thereof;  
FIG. 4 is yet another perspective view thereof;  
FIG. 5 is a front view thereof;  
FIG. 6 is a rear view thereof;  
FIG. 7 is a left side view thereof;  
FIG. 8 is a right side view thereof;  
FIG. 9 is a top view thereof;  
FIG. 10 is a bottom view thereof; and,  
FIG. 11 is a perspective view thereof, shown in an environment of use.

The dashed broken lines illustrate portions of the headband for head mount display and form no part of the claimed design.

**1 Claim, 11 Drawing Sheets**



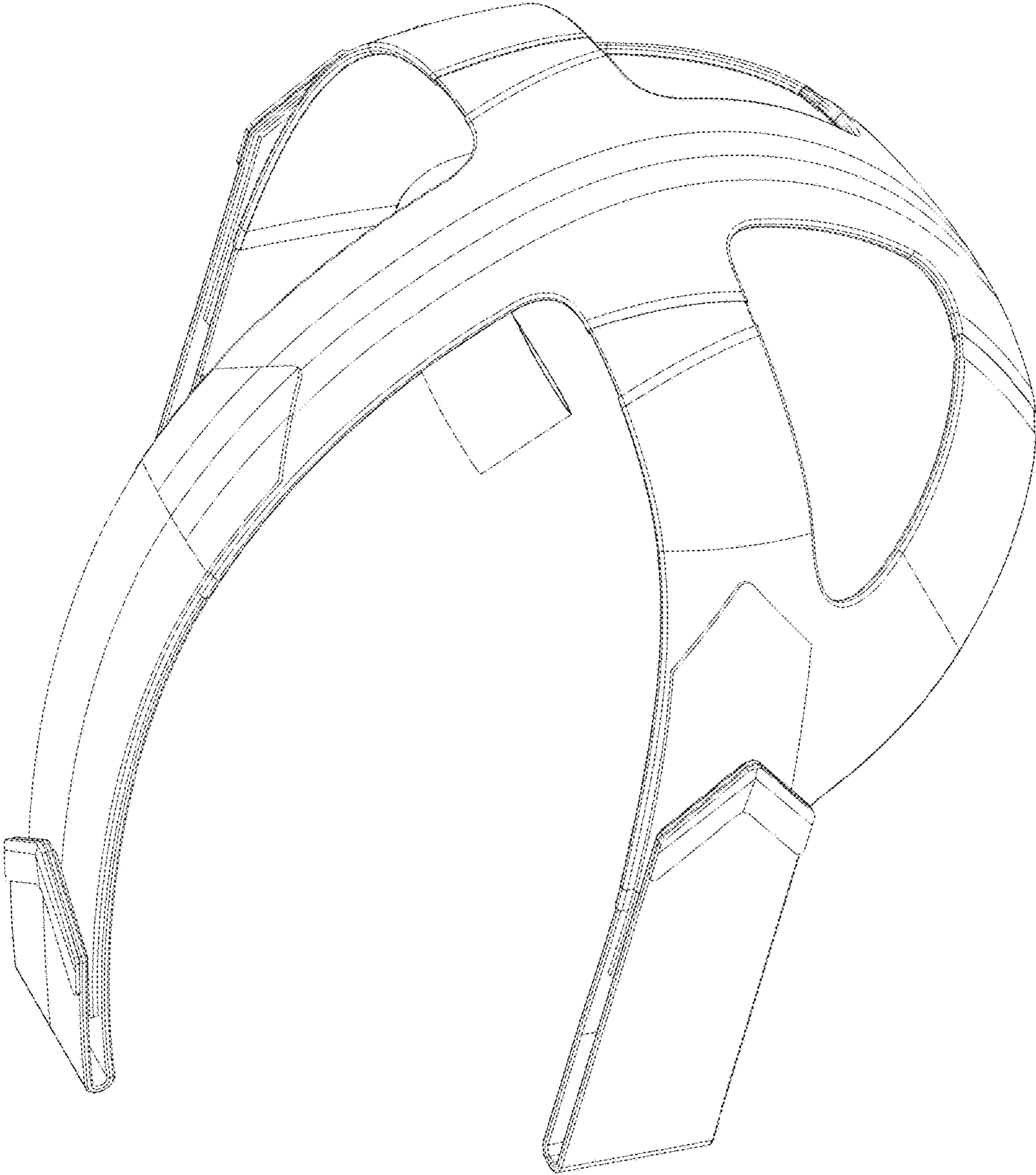


FIG. 1

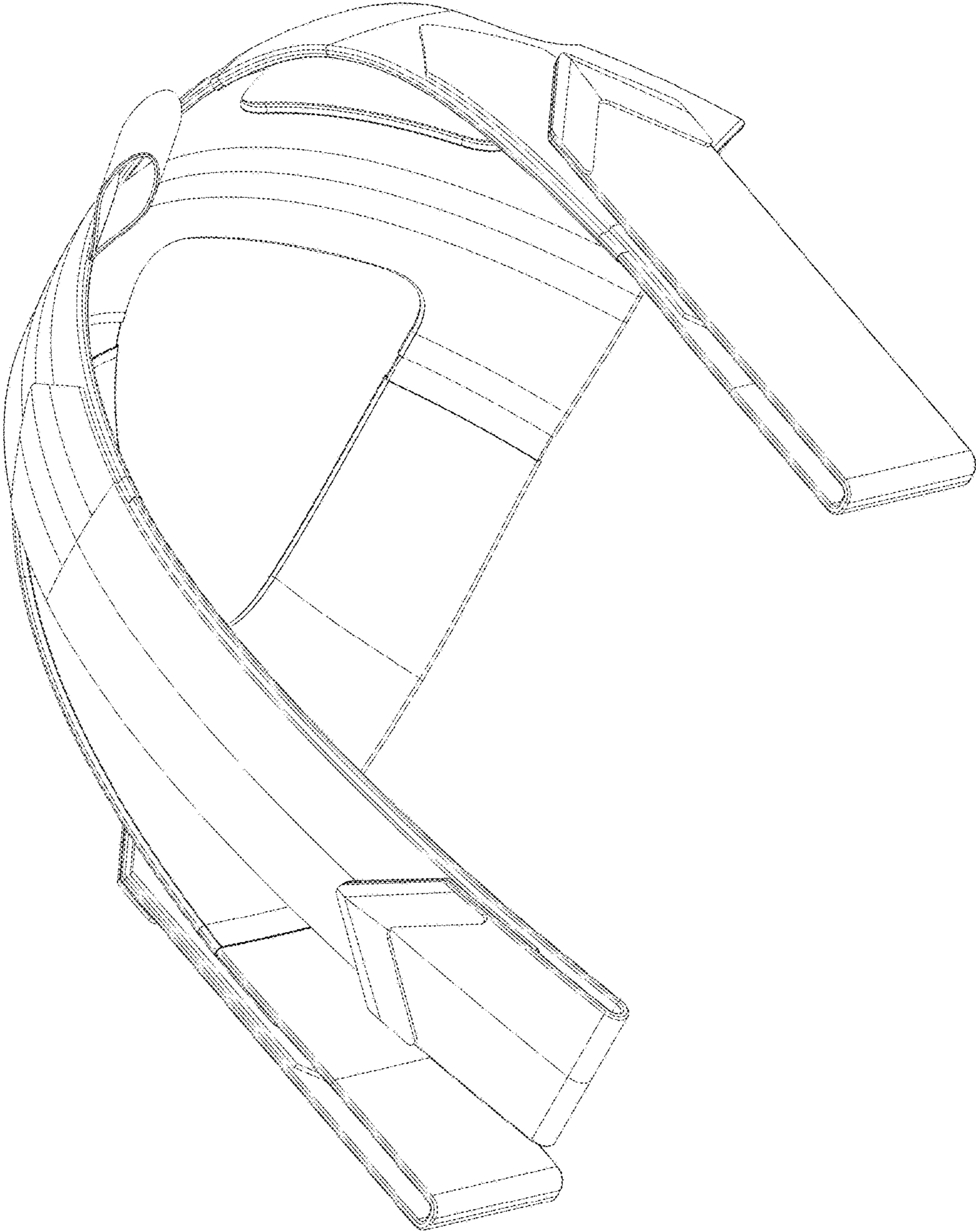


FIG. 2

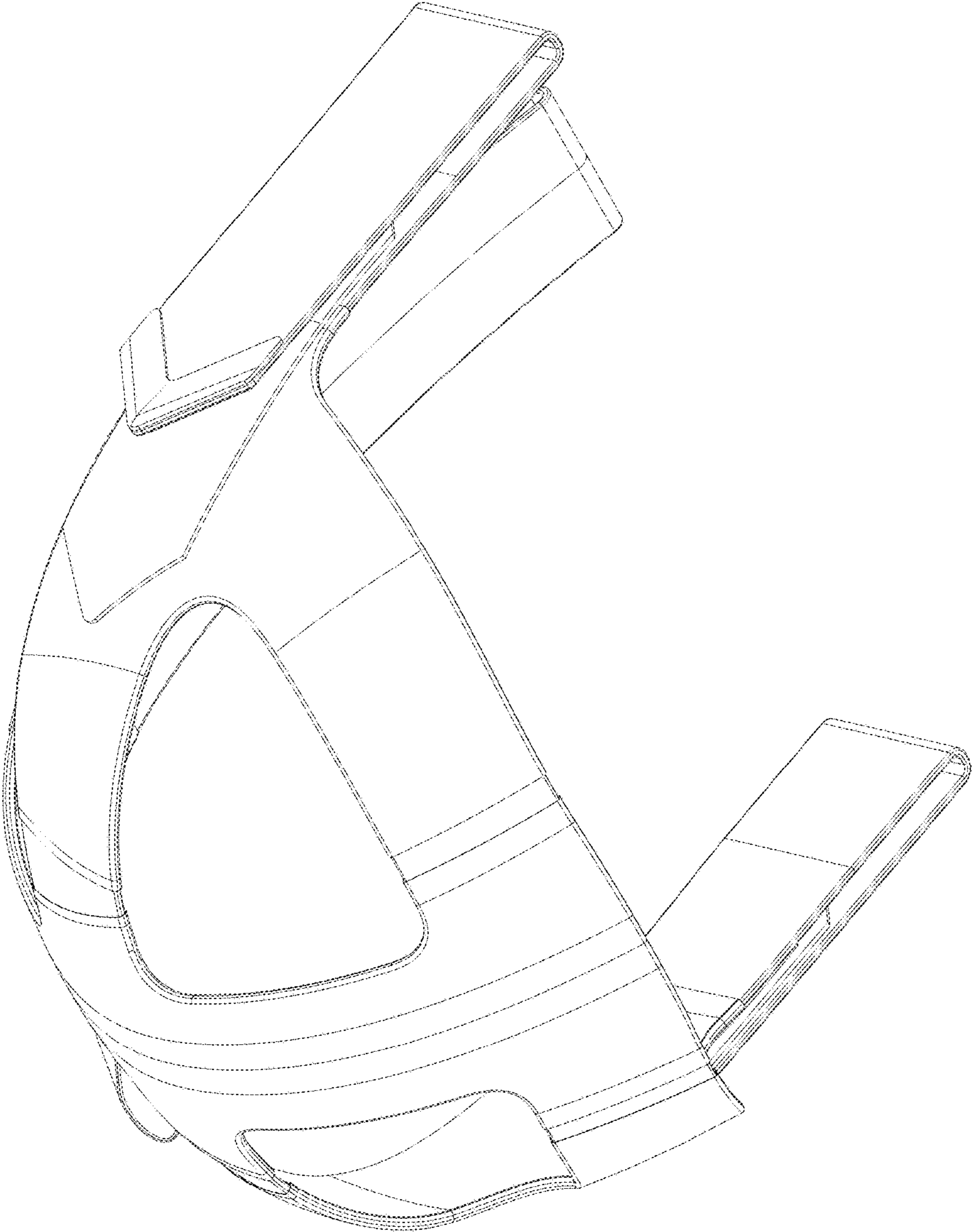


FIG. 3

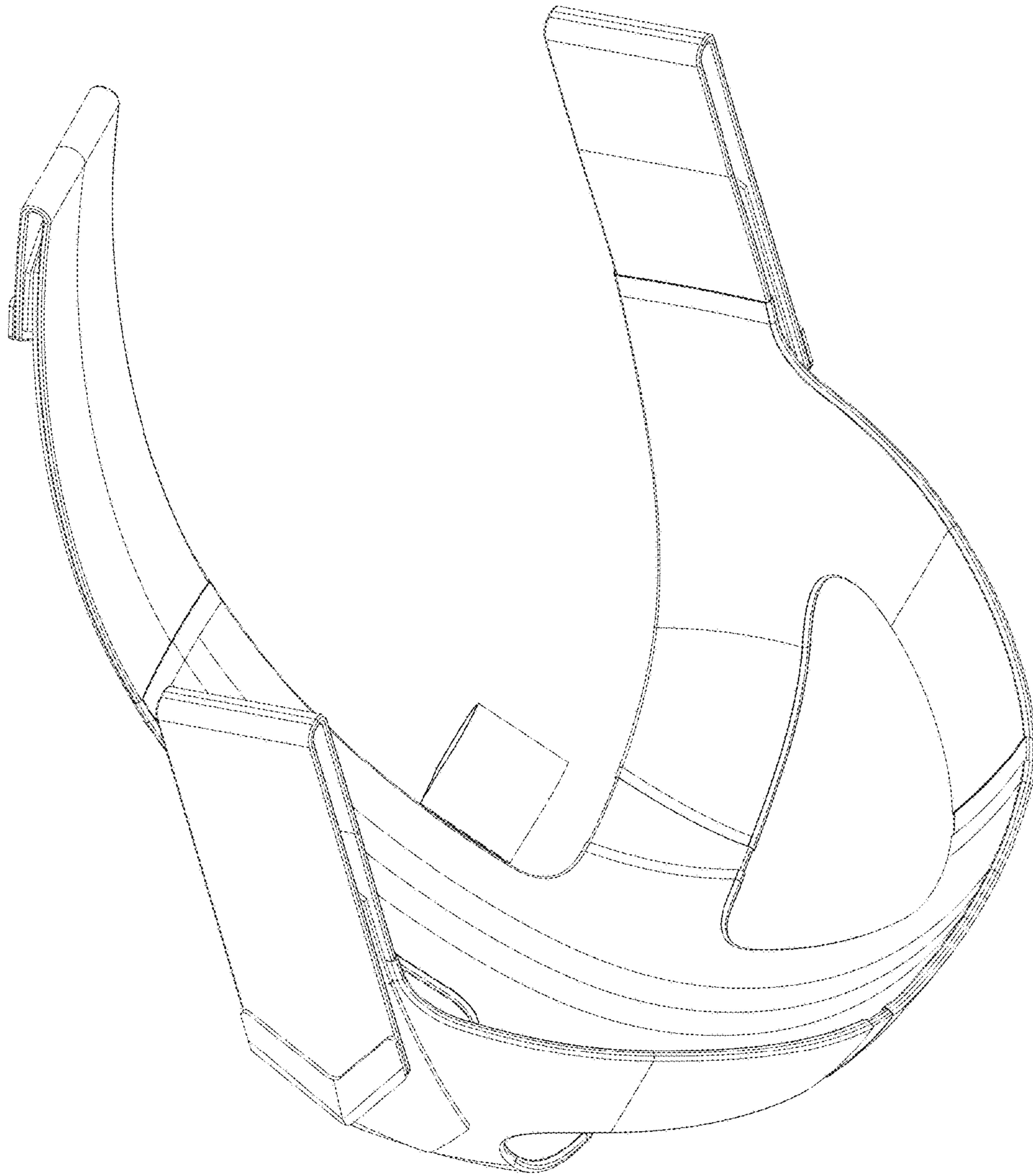


FIG. 4

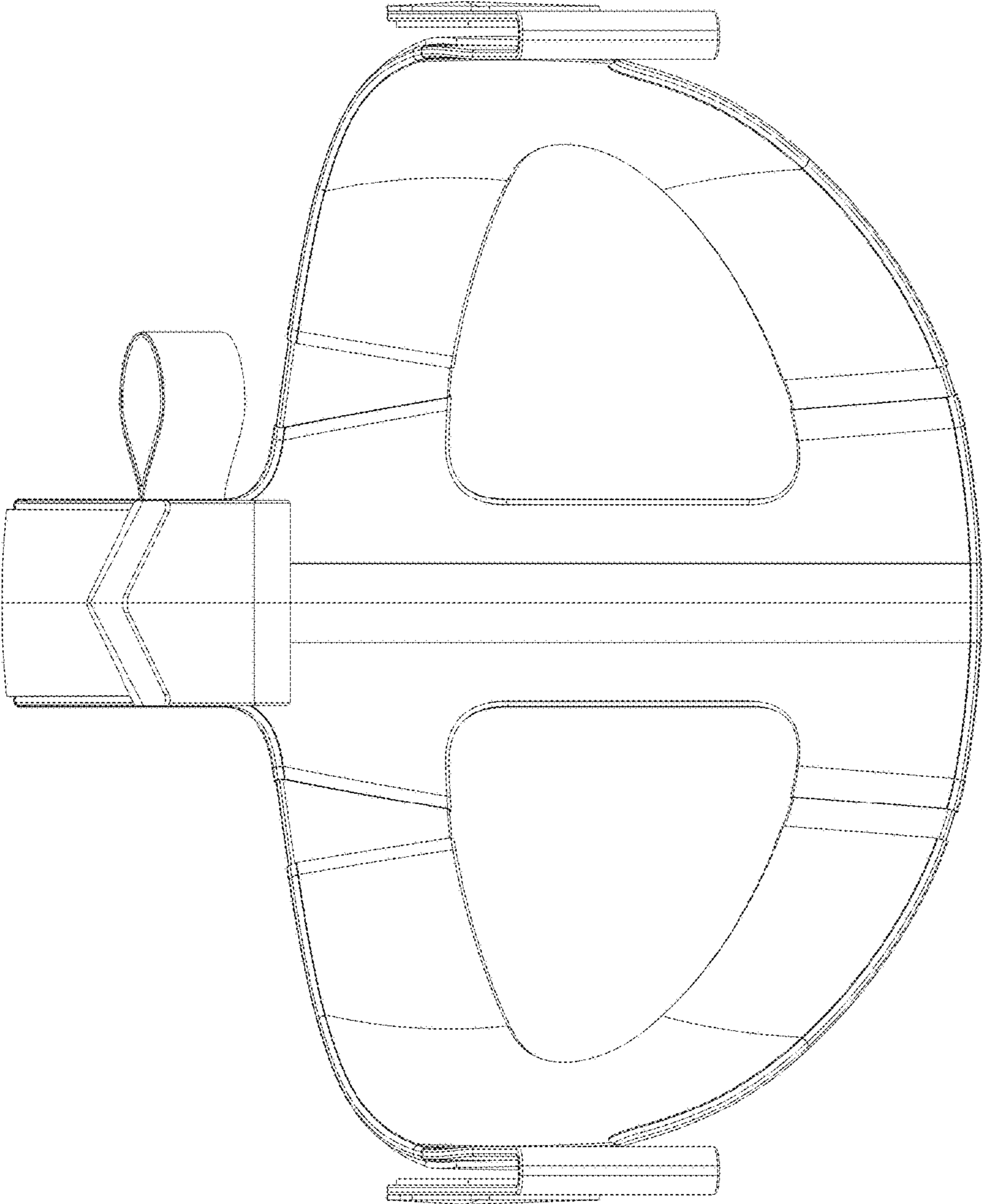


FIG. 5

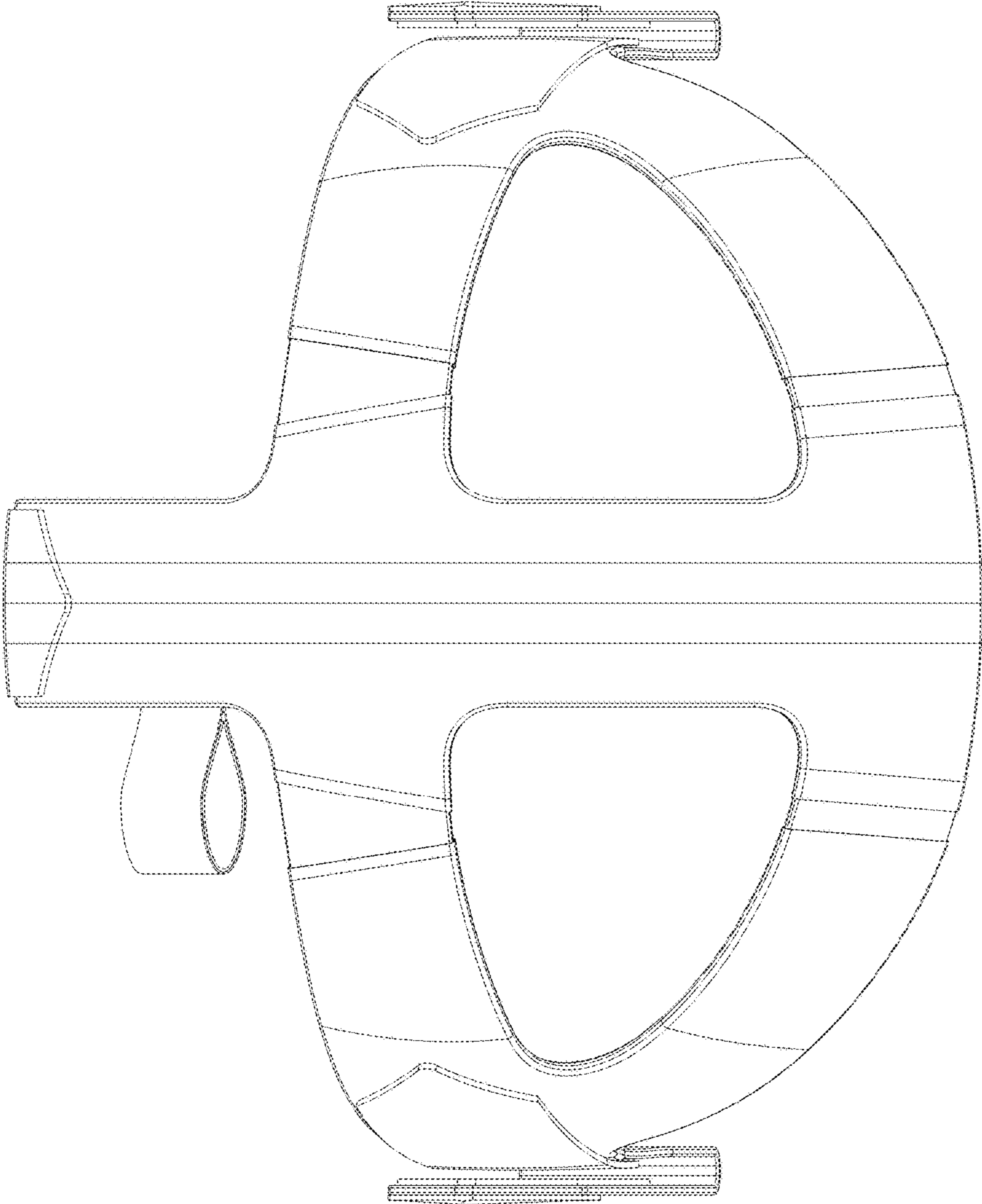


FIG. 6

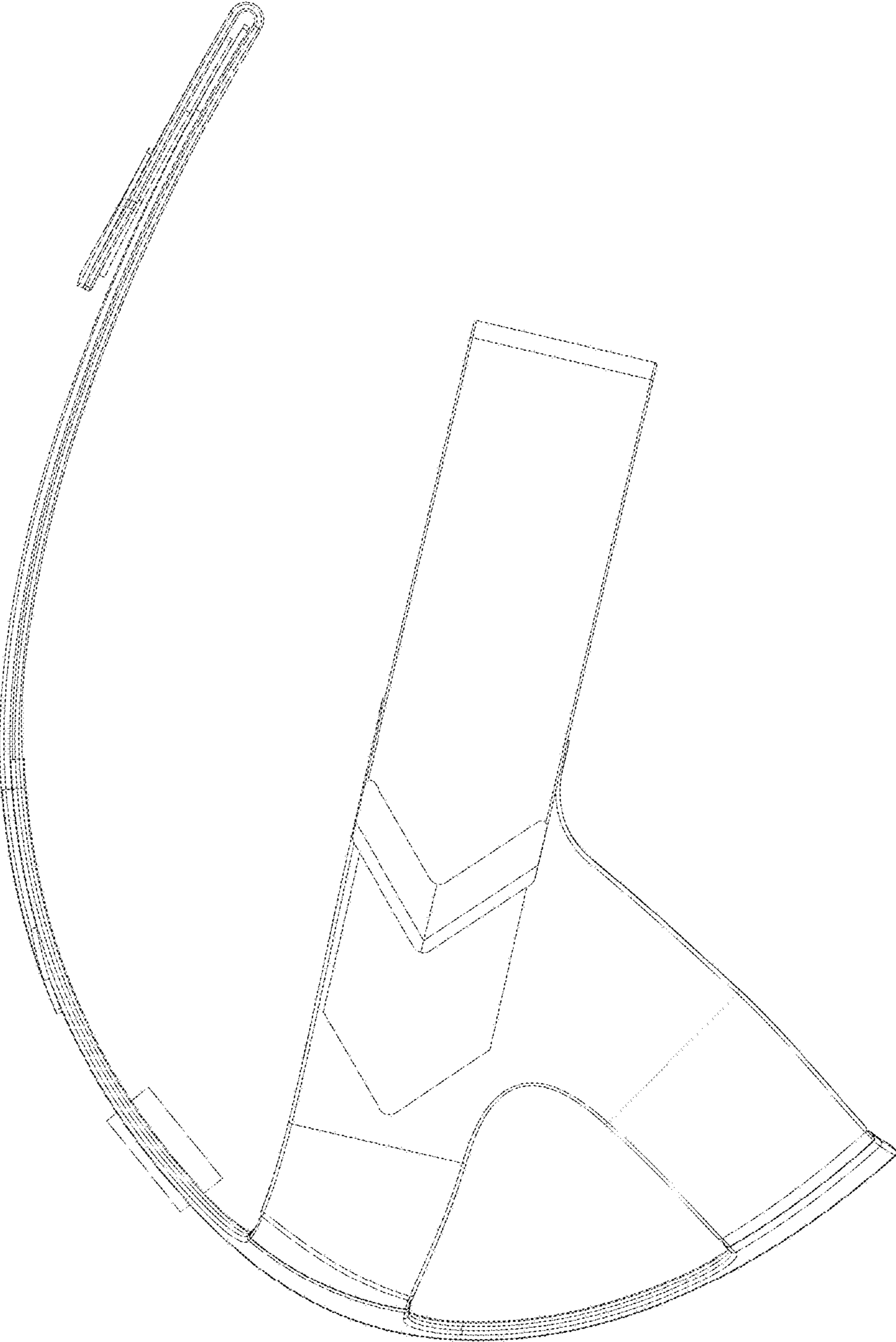


FIG. 7



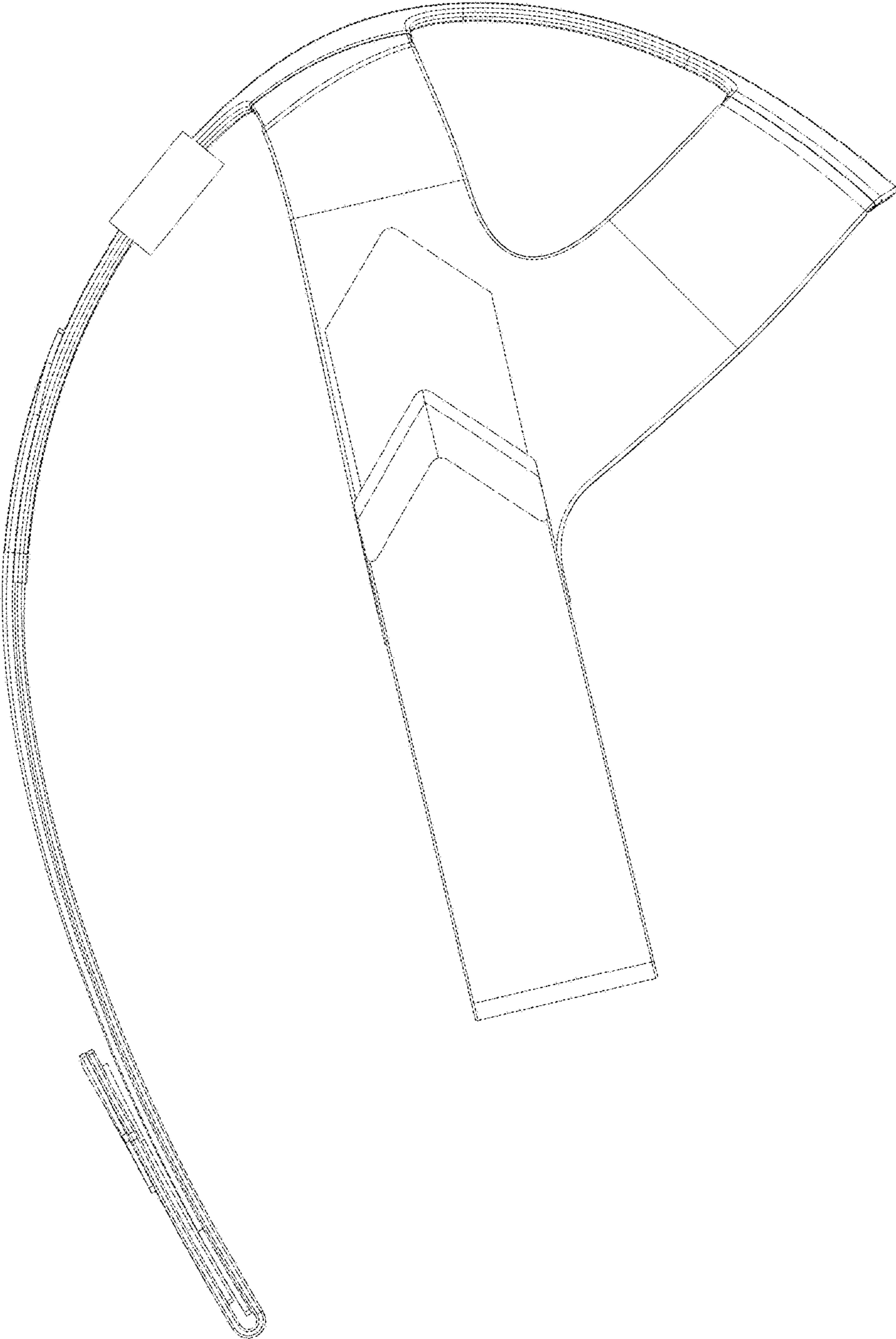


FIG. 8

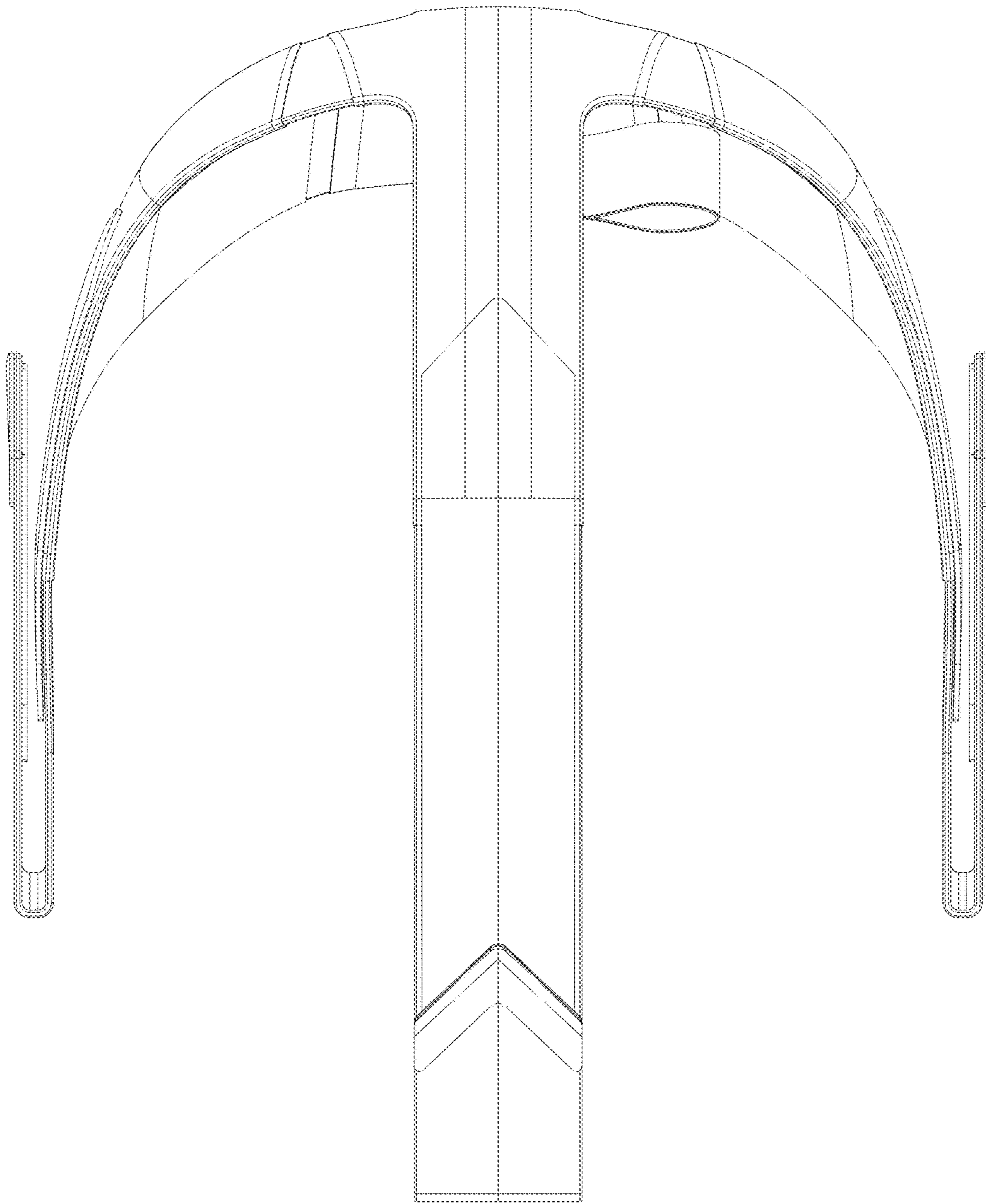


FIG. 9

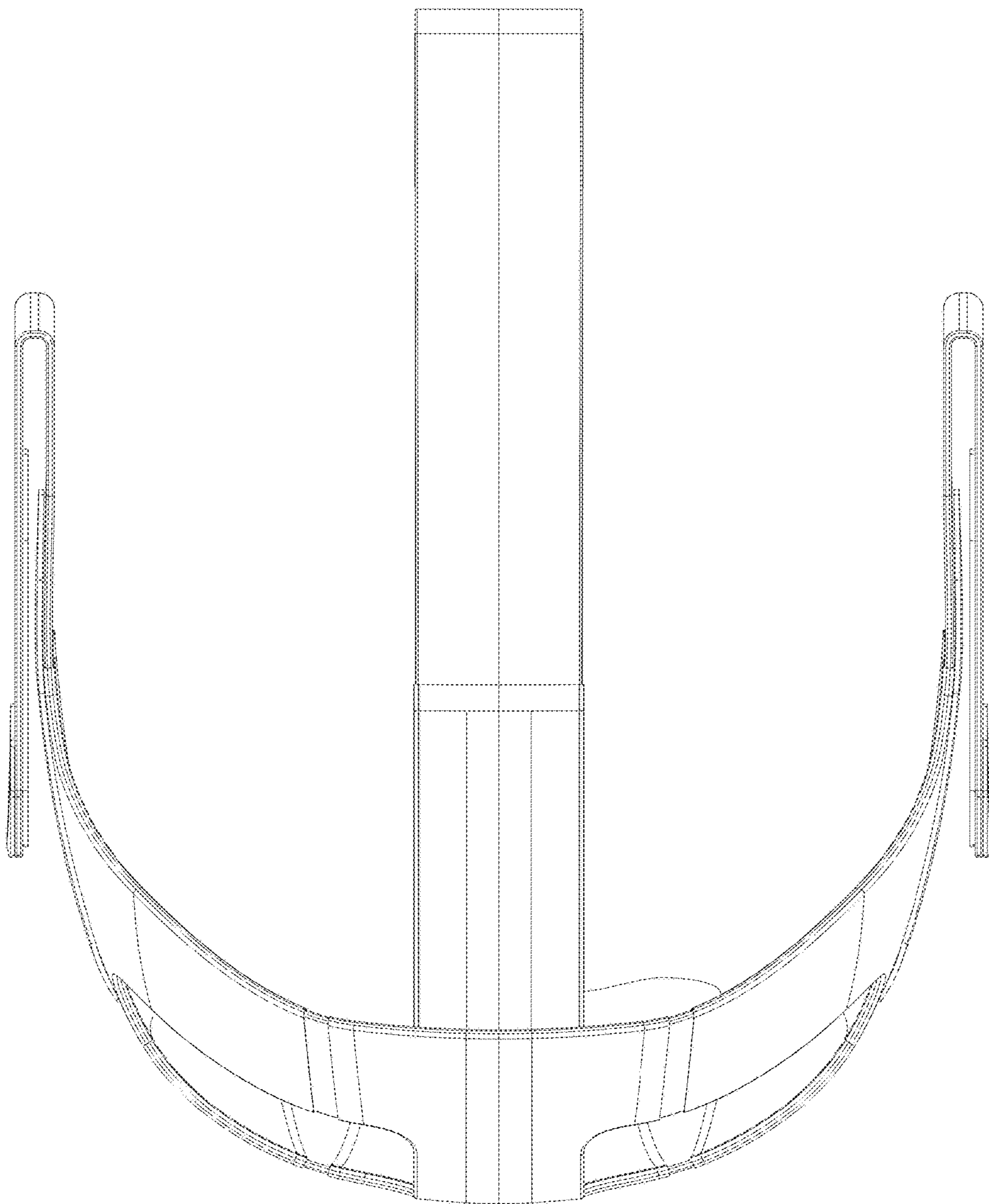


FIG. 10

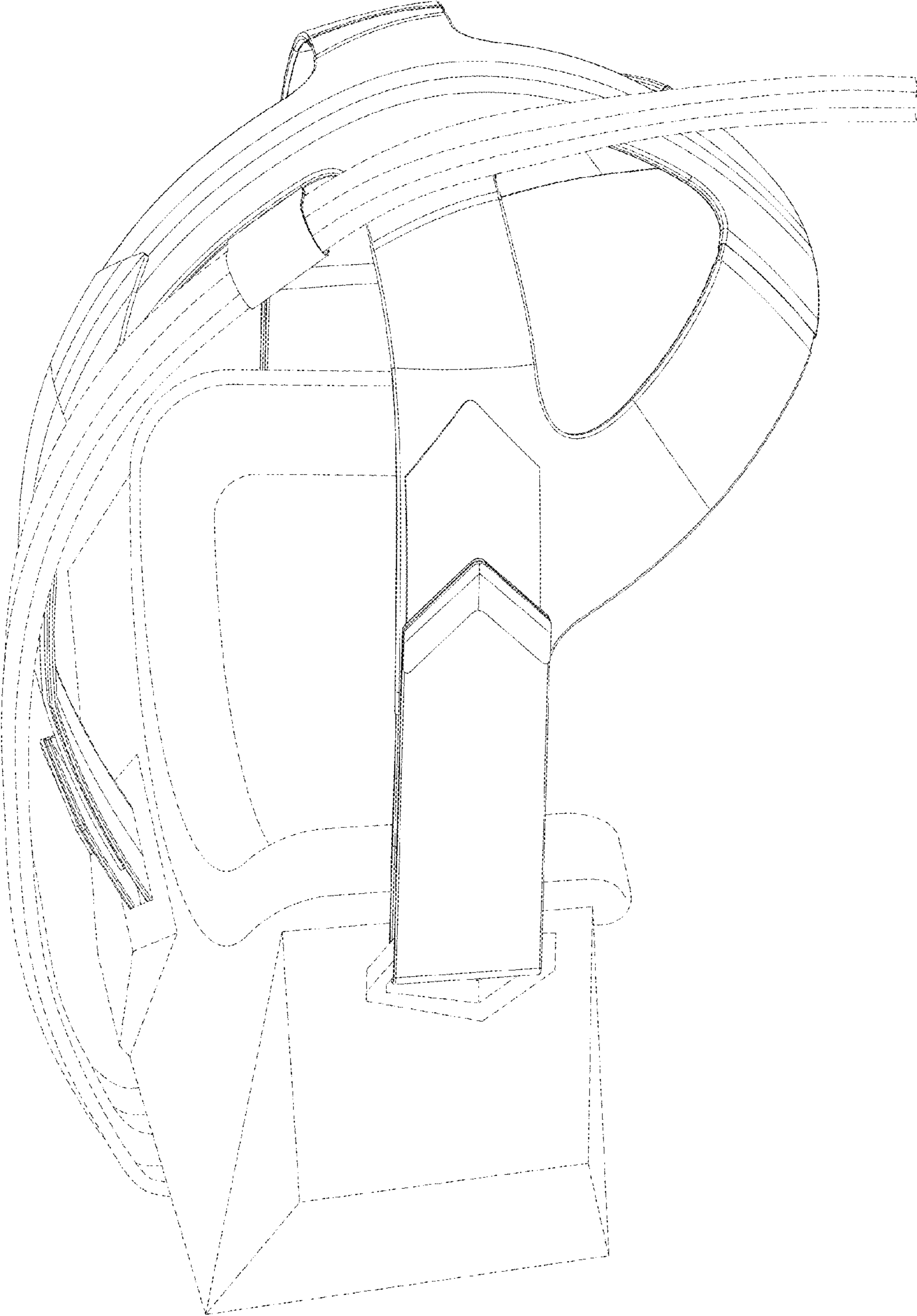


FIG. 11