

US00D869463S

(12) **United States Design Patent** (10) **Patent No.:** **US D869,463 S**
Gagne-Keats et al. (45) **Date of Patent:** **** Dec. 10, 2019**

- (54) **HOME ASSISTANT DEVICE**
- (71) Applicant: **Essential Products, Inc.**, Palo Alto, CA (US)
- (72) Inventors: **Jason Sean Gagne-Keats**, Cupertino, CA (US); **David John Evans, V**, Palo Alto, CA (US); **Manuel Roman**, Sunnyvale, CA (US); **Mara Clair Segal**, San Francisco, CA (US); **Dwipal Desai**, Palo Alto, CA (US); **Andrew E. Rubin**, Los Altos, CA (US)
- (73) Assignee: **ESSENTIAL PRODUCTS, INC.**, Palo Alto, CA (US)
- (**) Term: **15 Years**
- (21) Appl. No.: **29/606,157**
- (22) Filed: **Jun. 1, 2017**

Related U.S. Application Data

- (63) Continuation-in-part of application No. 15/608,954, filed on May 30, 2017, now Pat. No. 9,747,083.
- (51) **LOC (12) Cl.** **14-02**
- (52) **U.S. Cl.**
USPC **D14/358**
- (58) **Field of Classification Search**
USPC D14/356-358, 242, 216, 125, 204, 218, D14/447, 458; D10/104.1, 104.2, D10/106.1-106.6, 46; 700/276; 709/225; 719/327; 725/78; D13/108, 168
CPC H04N 7/18; G06F 15/173; G06F 3/00; G06F 8/34; G06N 99/005; G10L 21/00; G10L 25/00; G10L 15/22; G10L 15/26; H04L 12/2816

See application file for complete search history.

(56) **References Cited**

U.S. PATENT DOCUMENTS

D452,509 S *	12/2001	Allsop	D14/458
D662,939 S *	7/2012	Akana	D14/447
D725,285 S *	3/2015	Wohlstadter	D14/336
D729,773 S *	5/2015	Salojarvi	D14/218
D737,787 S *	9/2015	Leung	D14/125
D746,166 S *	12/2015	Li	D10/104.1
D757,587 S *	5/2016	Li	D10/106.6
D763,210 S *	8/2016	Park	D14/125
D766,844 S *	9/2016	Turksu	D10/104.1
D774,455 S *	12/2016	Kim	D13/108
D781,274 S *	3/2017	Kim	D14/242
D781,798 S *	3/2017	Klepper	D14/125

(Continued)

OTHER PUBLICATIONS

Essential Home Device | posted at theverge.com May 30, 2017 [online]. © 2019 Vox Media, Inc. [retrieved Jul. 16, 2019] from Internet: <<https://www.theverge.com/circuitbreaker/2017/5/30/15711258/essential-home-voice-assistant-andy-rubin>> (Year: 2017).*

Primary Examiner — Sandra S Snapp

Assistant Examiner — Katherine Glennon

(74) *Attorney, Agent, or Firm* — Perkins Coie LLP; Michael Glenn

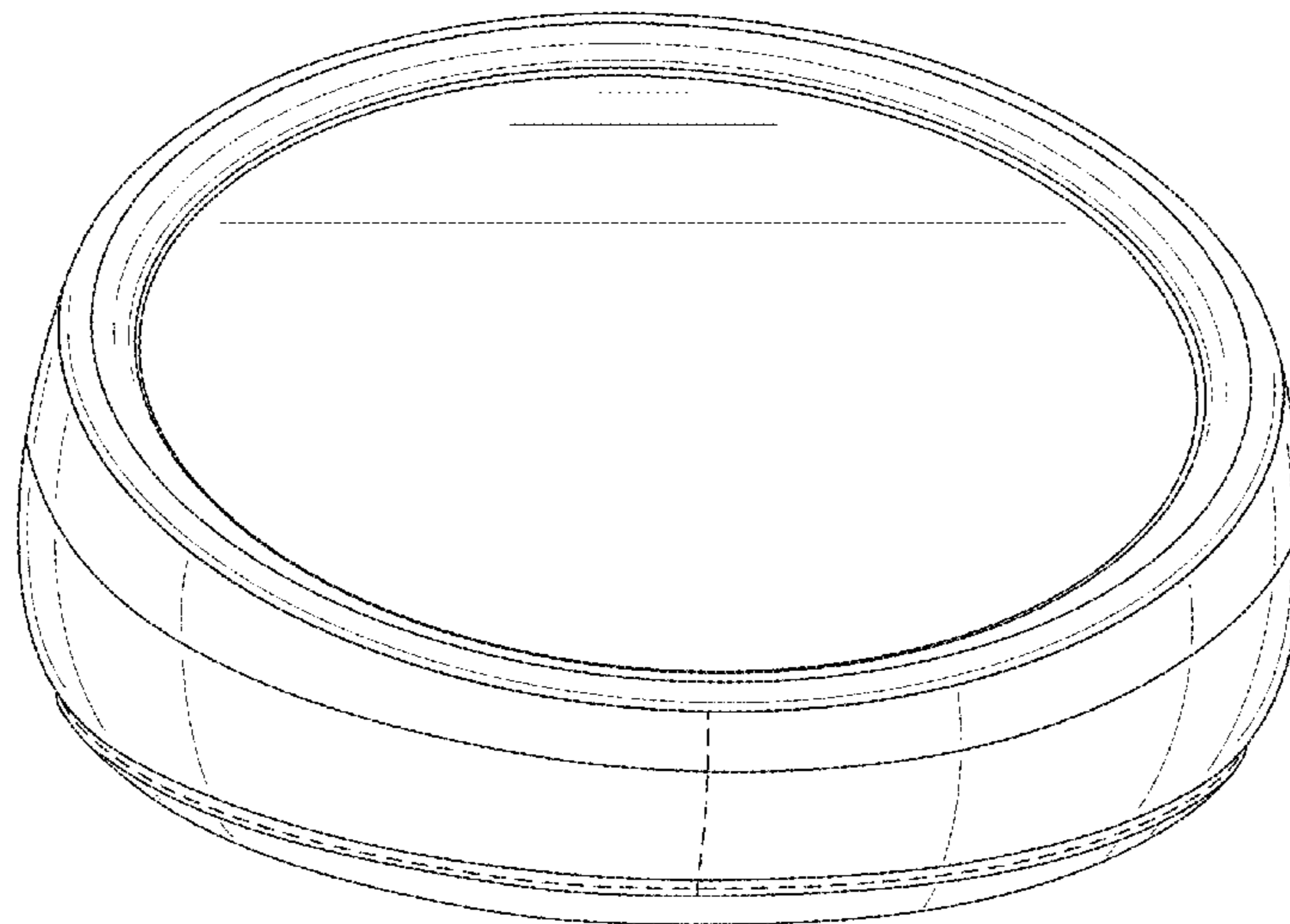
(57) **CLAIM**

The ornamental design for a home assistant device, as shown and described.

DESCRIPTION

FIG. 1 is a front perspective view of the ornamental design for a home assistant device; FIG. 2 is an exploded perspective view thereof; and, FIG. 3 is a back perspective view thereof. The broken lines illustrate environmental structure only and form no part of the claimed design. The home assistant device is symmetrical on the right and left sides. Accordingly, a left side view of the home assistant device is a mirror image of the right side view.

1 Claim, 3 Drawing Sheets



(56)

References Cited

U.S. PATENT DOCUMENTS

D786,200 S * 5/2017 Lagerstedt D13/168
2002/0056112 A1 * 5/2002 Dureau H04H 20/08
725/78
2007/0192486 A1 * 8/2007 Wilson H04L 12/282
709/225
2014/0188288 A1 * 7/2014 Fisher F24F 11/0034
700/276
2016/0329641 A1 * 11/2016 Lee H01Q 15/14

* cited by examiner

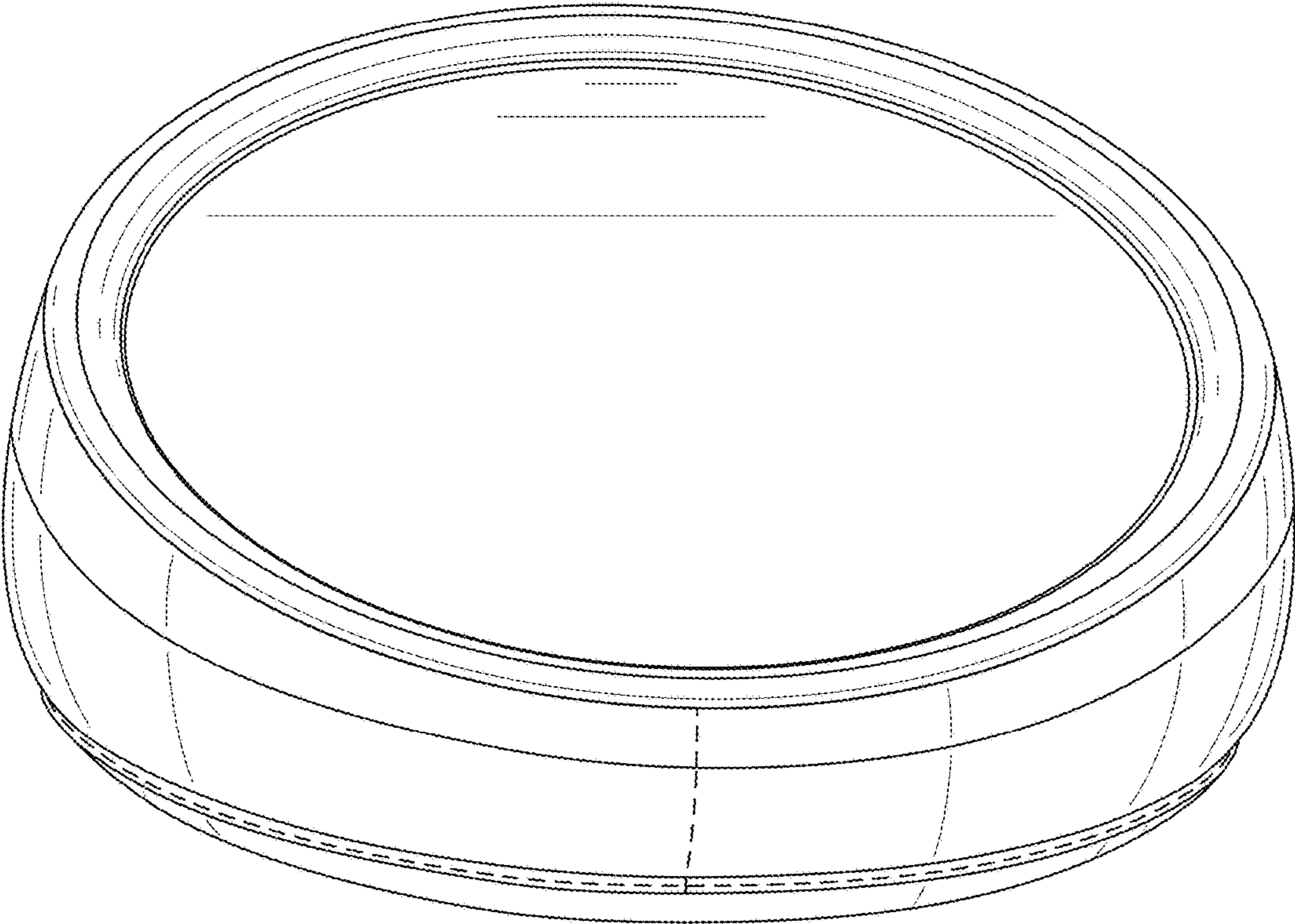


Fig. 1

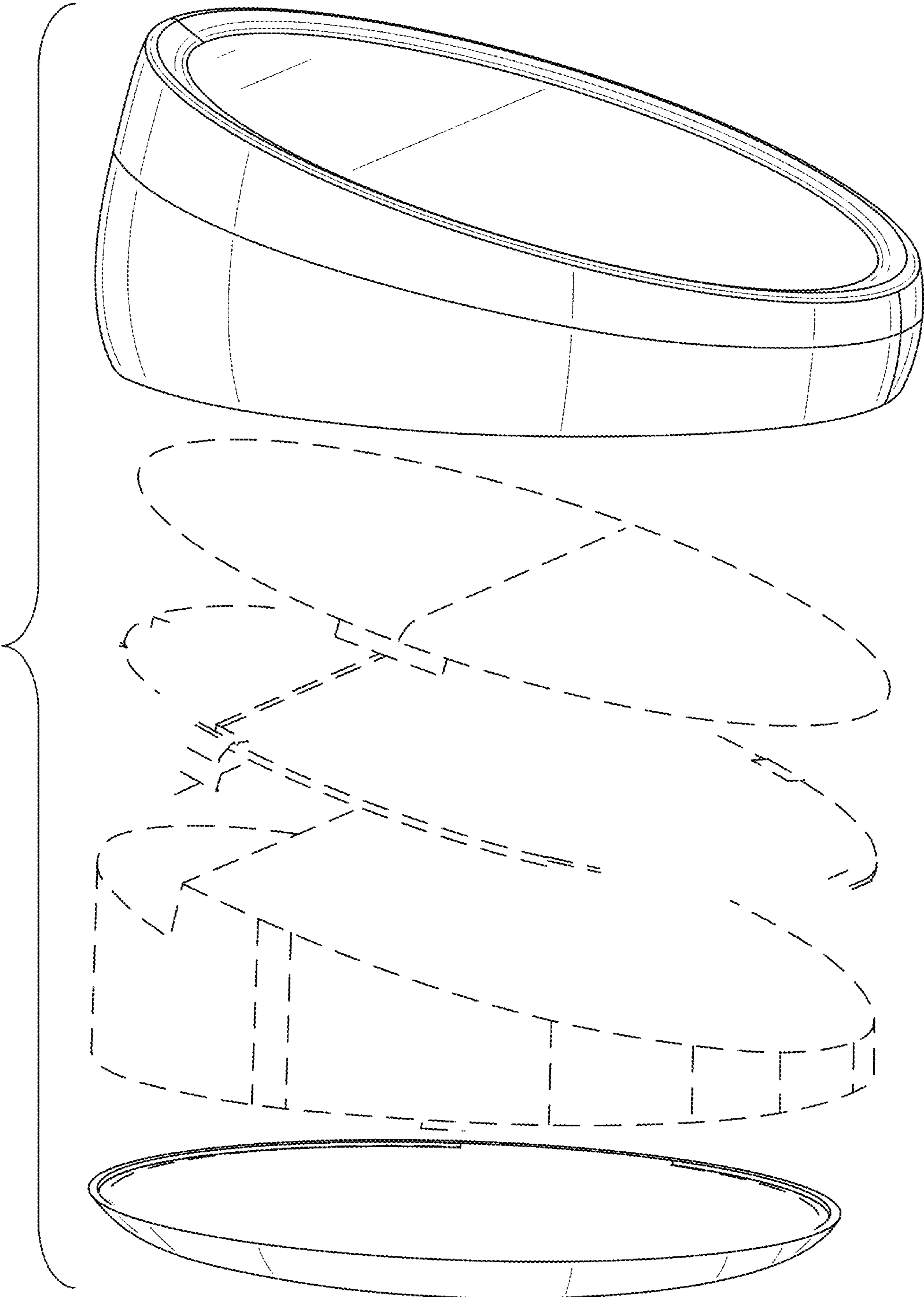


Fig. 2

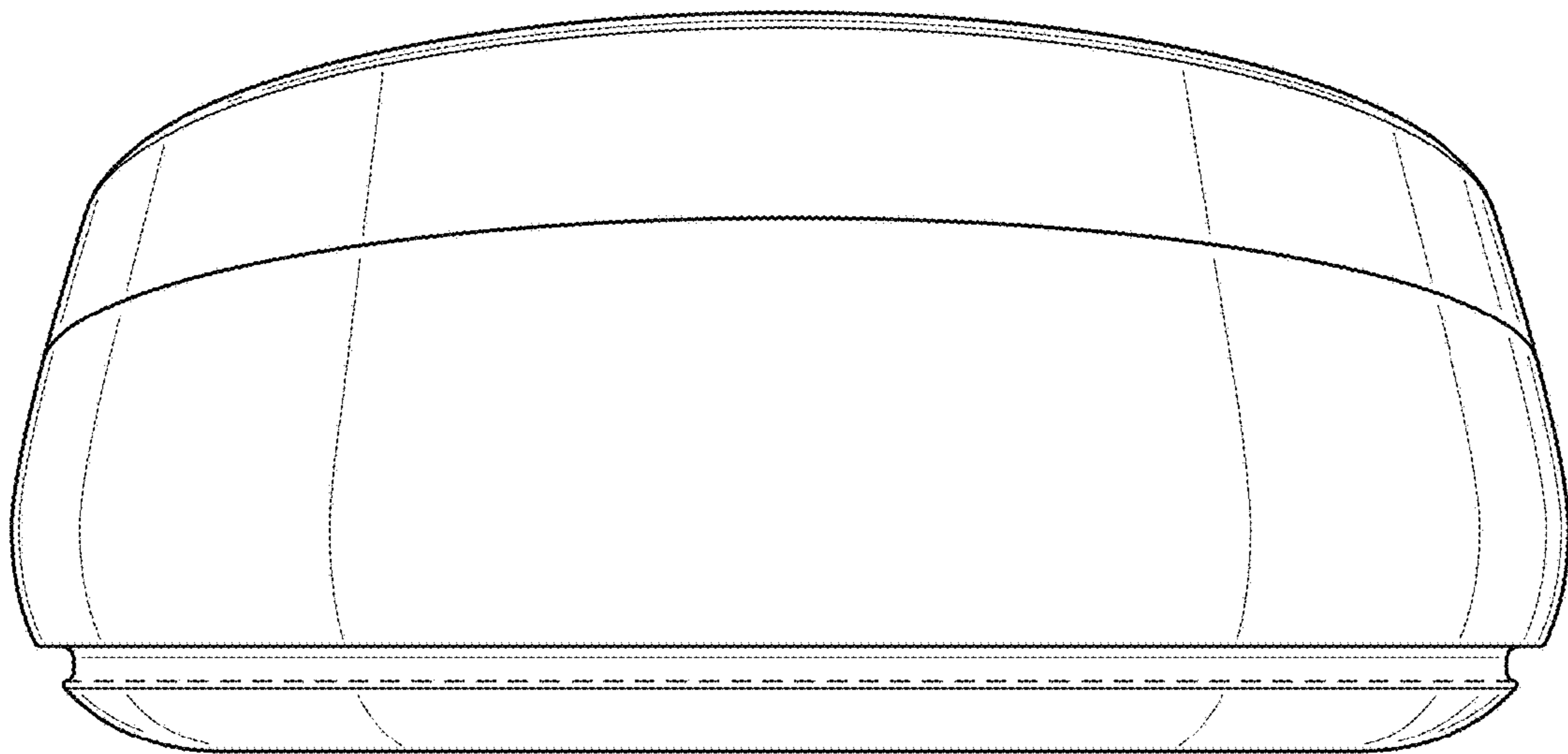


Fig. 3