



US00D869457S

(12) **United States Design Patent**
Tzou et al.

(10) **Patent No.:** **US D869,457 S**

(45) **Date of Patent:** **** *Dec. 10, 2019**

(54) **NOTEBOOK COMPUTER WITH CAMERA MODULE**

FOREIGN PATENT DOCUMENTS

WO WO-9117493 A1 * 11/1991 G06F 1/1615

(71) Applicant: **COMPAL ELECTRONICS, INC.**,
Taipei (TW)

OTHER PUBLICATIONS

(72) Inventors: **Jyh-Chyang Tzou**, Taipei (TW);
Yao-Hsien Yang, Taipei (TW); **Yi-Hsun Liu**, Taipei (TW)

KR-300249647, posted at Orbit.com, publication date Dec. 15, 1999. Site visited May 26, 2019. Available from Internet. (Year: 1999).*

(Continued)

(73) Assignee: **COMPAL ELECTRONICS, INC.**,
Taipei (TW)

Primary Examiner — Kevin K Rudzinski

Assistant Examiner — Kathleen L Jones

(*) Notice: This patent is subject to a terminal disclaimer.

(74) *Attorney, Agent, or Firm* — JCIPRNET

(**) Term: **15 Years**

(57) **CLAIM**

The ornamental design for a notebook computer with camera module, as shown and described.

(21) Appl. No.: **29/646,274**

DESCRIPTION

(22) Filed: **May 3, 2018**

(51) **LOC (12) Cl.** **14-02**

(52) **U.S. Cl.**
USPC **D14/317**

(58) **Field of Classification Search**
USPC D14/315–327, 331, 333–337, 439,
D14/440–444, 448, 450; D18/1–2, 7, 11,
D18/12.2–12.3; D16/208, 213
CPC G06F 1/16; G06F 1/1637; G06F 1/1613;
G06F 1/1616; G06F 1/1618; G06F 1/162;
G06F 1/1654; G06F 1/1681; G06F
1/1632; G06F 1/1656; G06F 1/1686;
G06F 3/011; F16M 11/06; F16M 11/10;
F16M 11/14; H05K 5/0226; H02B 1/38
See application file for complete search history.

FIG. 1 is a perspective view of a notebook computer with camera module showing our new design;
FIG. 2 is a front view thereof;
FIG. 3 is a rear view thereof;
FIG. 4 is a left side view thereof;
FIG. 5 is a right side view thereof;
FIG. 6 is a top view thereof;
FIG. 7 is a bottom view thereof;
FIG. 8 is another perspective view thereof;
FIG. 9 is a perspective view of the notebook computer with camera module in FIG. 1 in another position where the cylindrical portion of the camera module is rotated;
FIG. 10 is a perspective view of the notebook computer with camera module in FIG. 1 in another position where the cylindrical portion of the camera module is rotated; and,
FIG. 11 is a perspective view of the notebook computer with camera module in FIG. 1 in another position.
The dashed broken lines illustrate portions of the notebook computer with camera module and form no part of the claimed design.

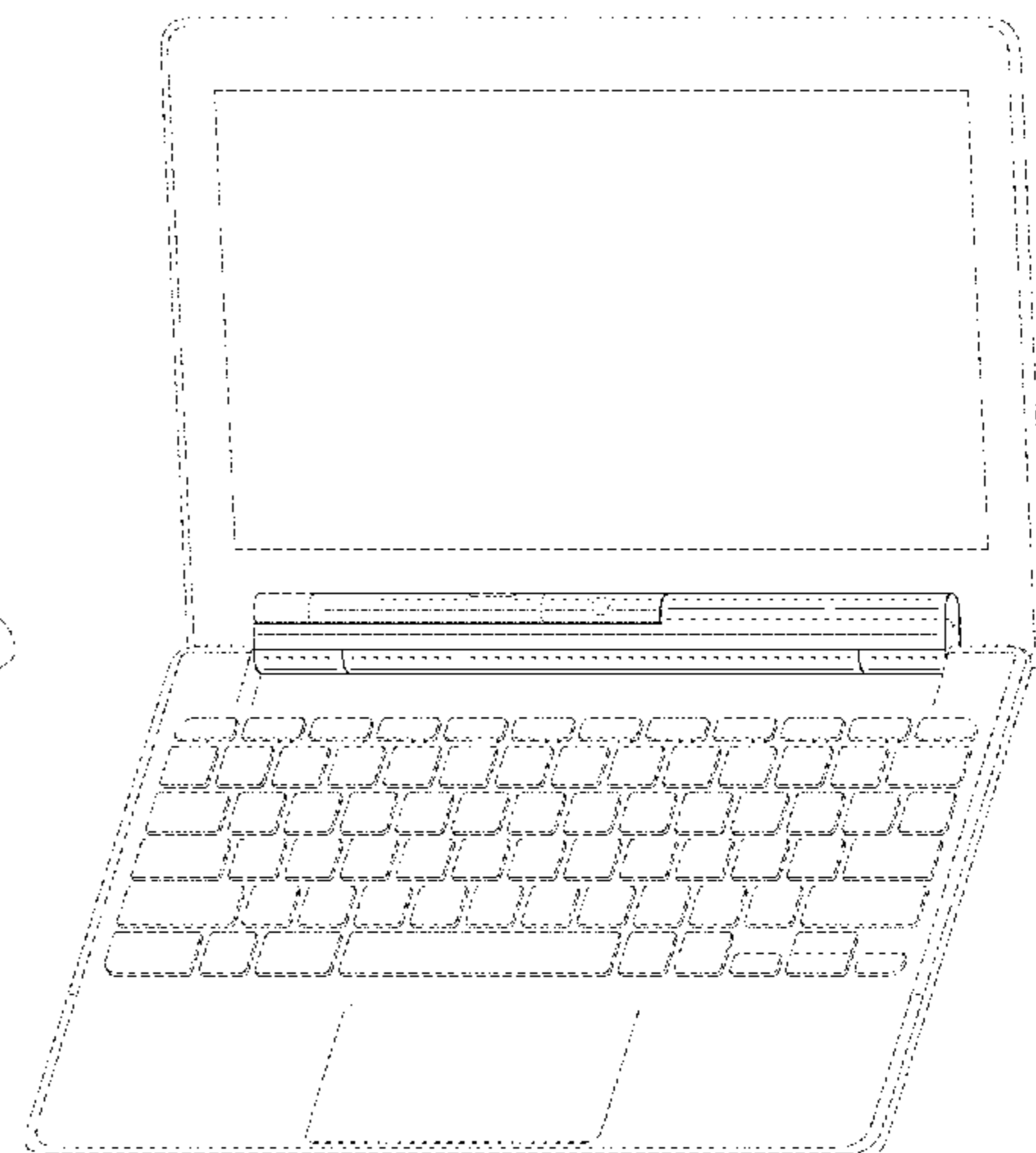
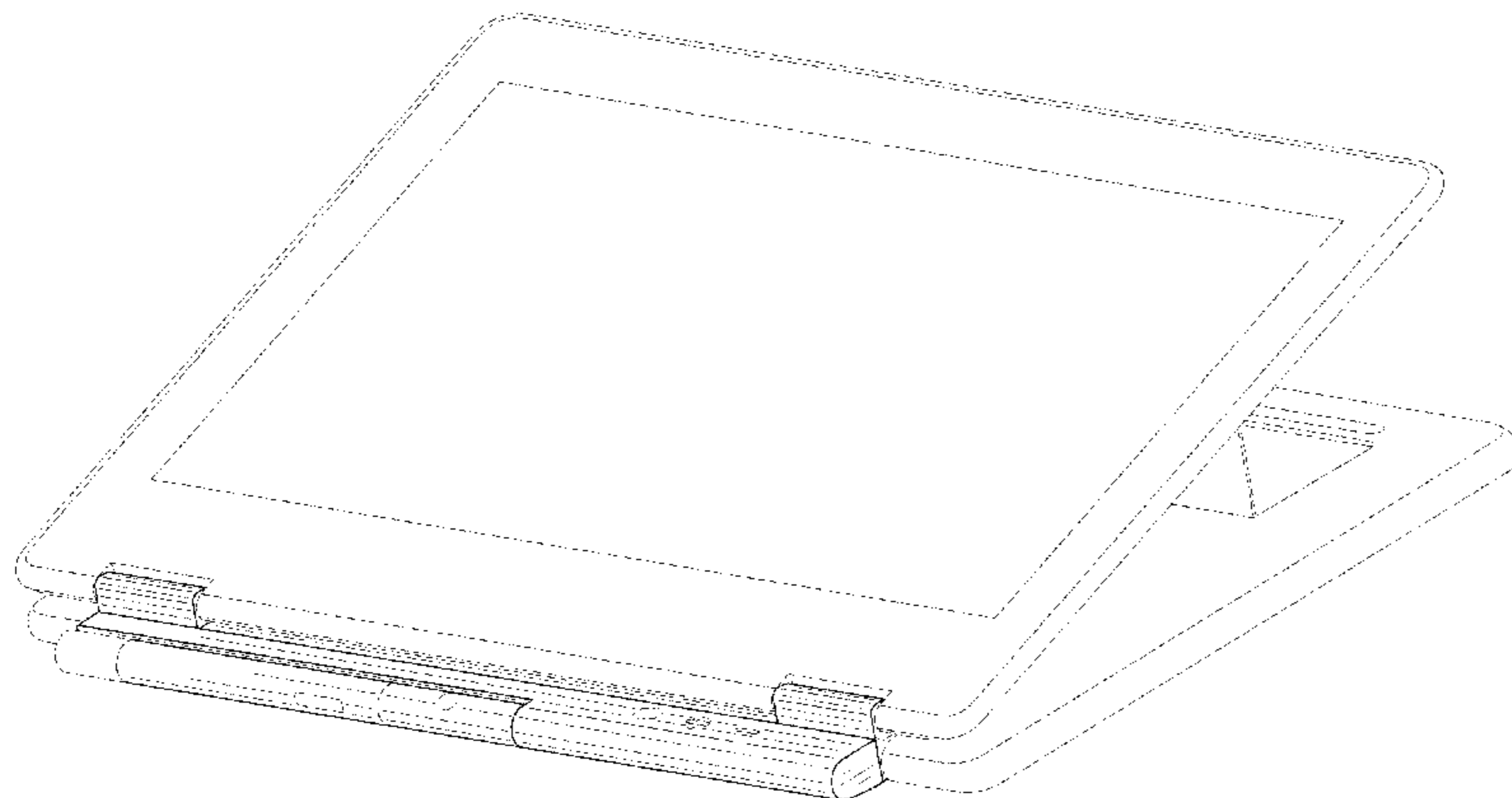
(56) **References Cited**

U.S. PATENT DOCUMENTS

D327,260 S * 6/1992 Davis D13/184
D332,945 S * 2/1993 Savio D14/327

(Continued)

1 Claim, 9 Drawing Sheets



(56)

References Cited

U.S. PATENT DOCUMENTS

D413,312 S * 8/1999 Suzuki D14/434
 6,933,981 B1 * 8/2005 Kishida H04N 1/00249
 348/207.1
 D526,317 S * 8/2006 Takada D14/327
 D526,999 S * 8/2006 Tago D14/327
 D538,287 S * 3/2007 Kawase D14/439
 D556,196 S * 11/2007 Cheng D14/480.3
 D659,134 S * 5/2012 Ahn D14/318
 D682,825 S * 5/2013 Kim D14/315
 D693,820 S * 11/2013 Eastwood D14/432
 8,693,181 B2 * 4/2014 Tseng G06F 1/1635
 312/223.1
 D709,892 S * 7/2014 Lui D14/433
 D721,375 S * 1/2015 Choi D14/434
 D755,791 S * 5/2016 Li D14/433
 D775,624 S * 1/2017 Kong D14/315
 D785,635 S * 5/2017 Watanabe D14/392
 D804,468 S * 12/2017 Armstrong D14/315
 2002/0093482 A1 * 7/2002 Agata G06F 1/1616
 345/157
 2002/0159227 A1 * 10/2002 Sasaki G06F 1/1601
 361/679.3
 2003/0053287 A1 * 3/2003 Baldwin G06F 1/1616
 361/679.09
 2003/0202320 A1 * 10/2003 Agata E05B 73/0082
 361/679.07
 2005/0140778 A1 * 6/2005 Kim G06F 1/1605
 348/14.02

2009/0244009 A1 * 10/2009 Staats G06F 1/162
 345/168
 2011/0047750 A1 * 3/2011 Novin F16F 1/14
 16/297
 2012/0218732 A1 * 8/2012 Minemura G06F 1/1615
 361/810
 2014/0177162 A1 * 6/2014 Ho G06F 1/1616
 361/679.43
 2014/0376168 A1 * 12/2014 Yang G06F 1/1681
 361/679.27
 2018/0292866 A1 * 10/2018 Tucker G06F 1/1686
 2018/0307275 A1 * 10/2018 Peil H02J 50/80
 2019/0212809 A1 * 7/2019 Tzou E05D 11/00

OTHER PUBLICATIONS

KR-300567523, posted at Orbit.com, publication date Jul. 20, 2010. Site visited May 26, 2019. Available from Internet. (Year: 2010).*
 Ridden, Paul, Lenovo treats new Chromebook to multimode hinge, posted at New Atlas, publication date May 6, 2014. Site visited May 21, 2019. URL: <<https://newatlas.com/lenovo-n20-n20p-chromebook/31933/>> (Year: 2014).*
 Ngo, Allen, LG Gram 15, posted at NotebookCheck, posting date Jan. 22, 2018. Site visited May 25, 2019. URL: <<https://www.notebookcheck.net/LG-Gram-15-i5-8250U-FHD-Laptop-Review.278060.0.html>> (Year: 2018).*
 Bennett, Brian Oliver, Motorola Atrix 4G Reviewed, posted at Laptop Mag, posting date Feb. 9, 2011. Site visited May 25, 2019. URL: <<https://www.laptopmag.com/articles/motorola-atrrix-4g-reviewed-dual-core-power-innovative-design>> (Year: 2011).*

* cited by examiner

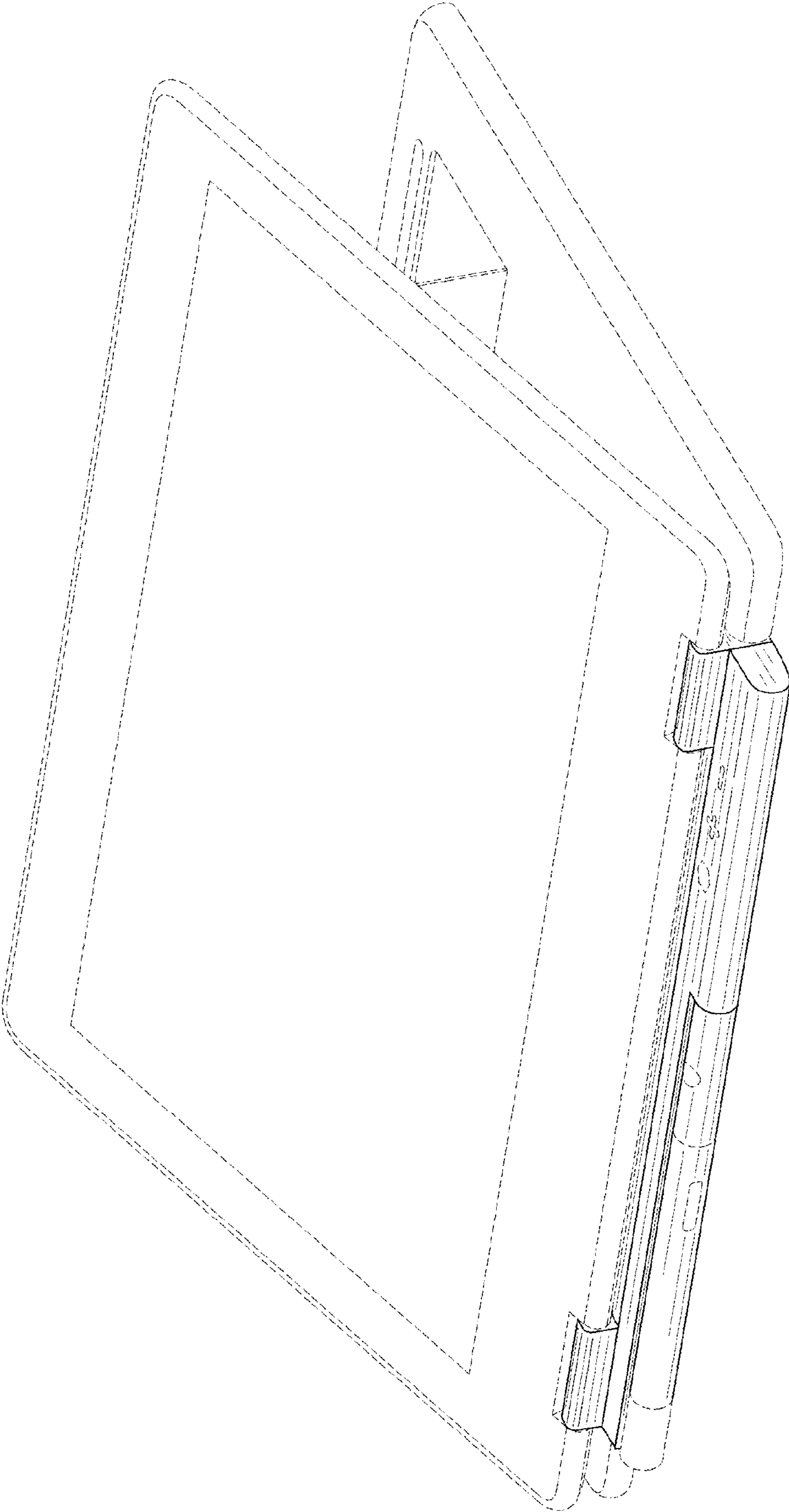


FIG. 1

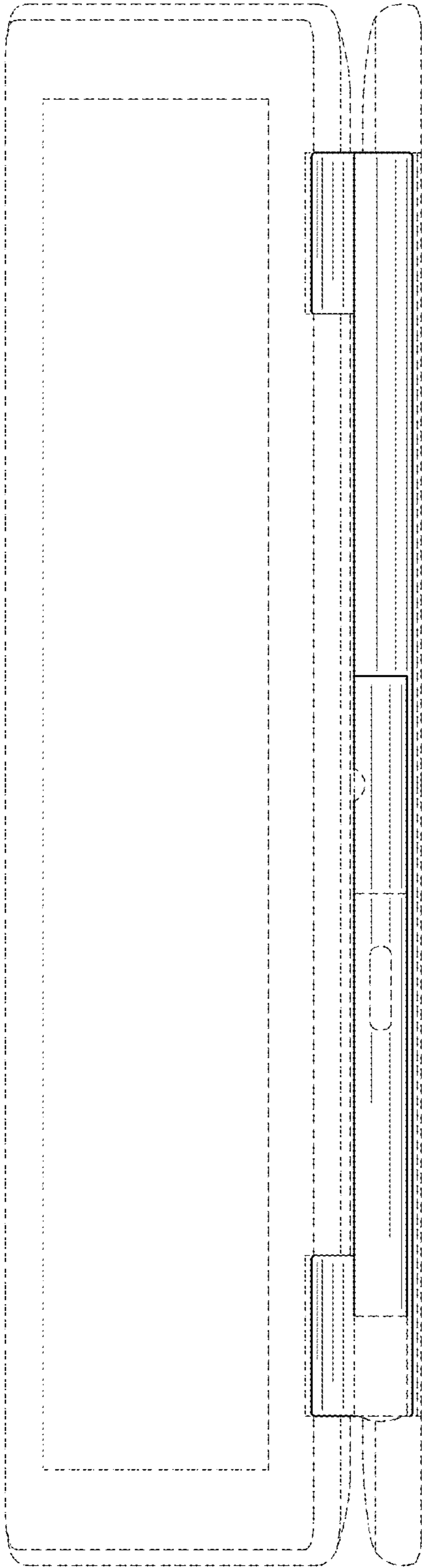


FIG. 2

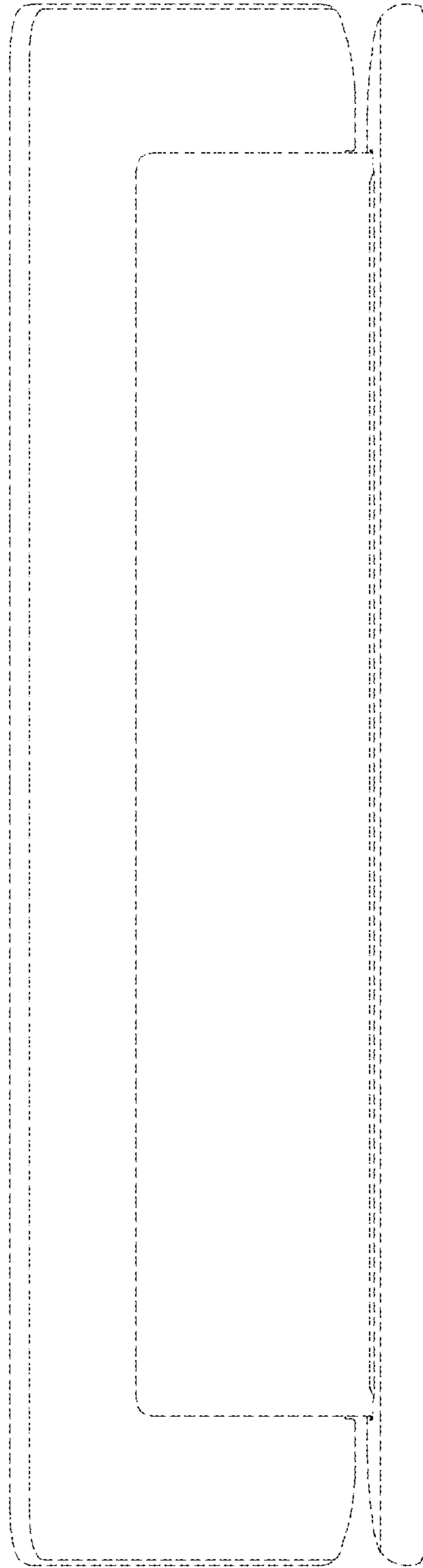


FIG. 3

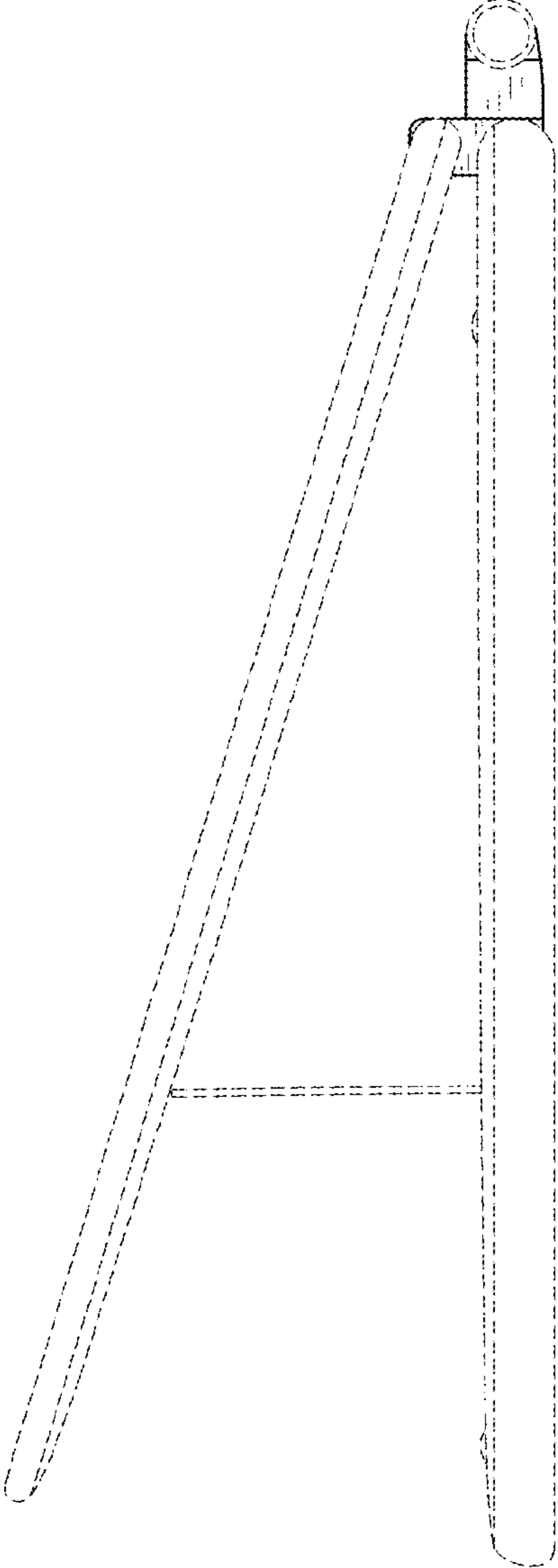


FIG. 4

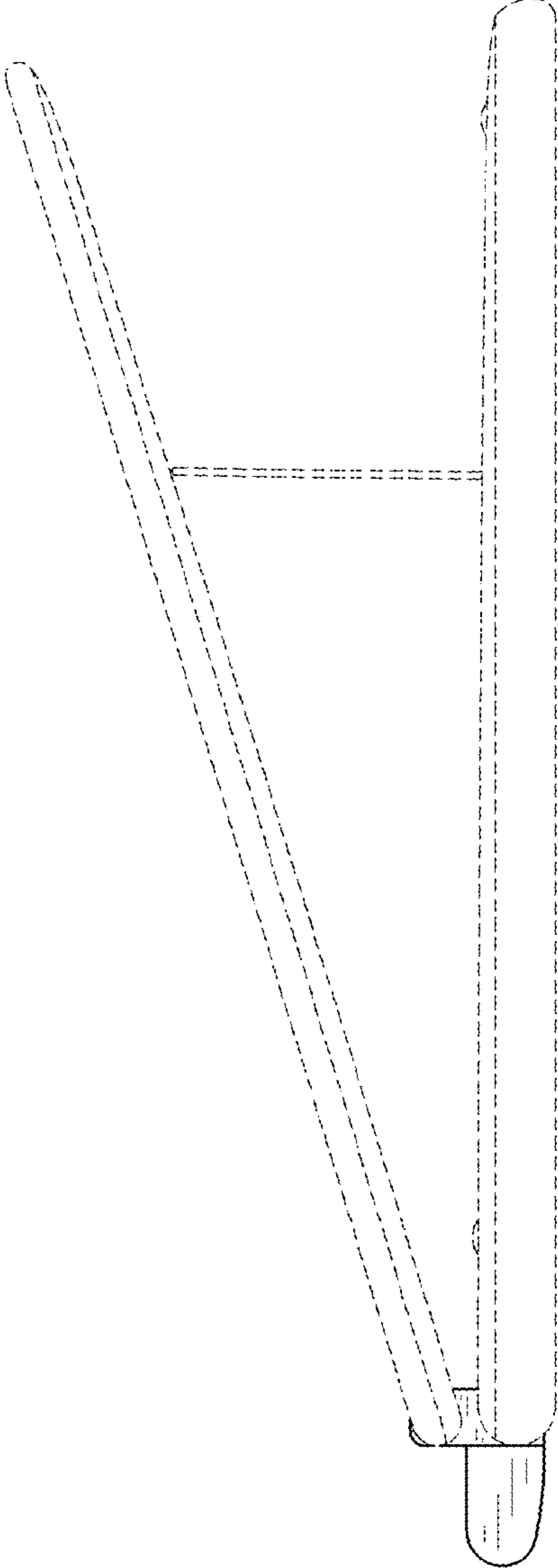


FIG. 5

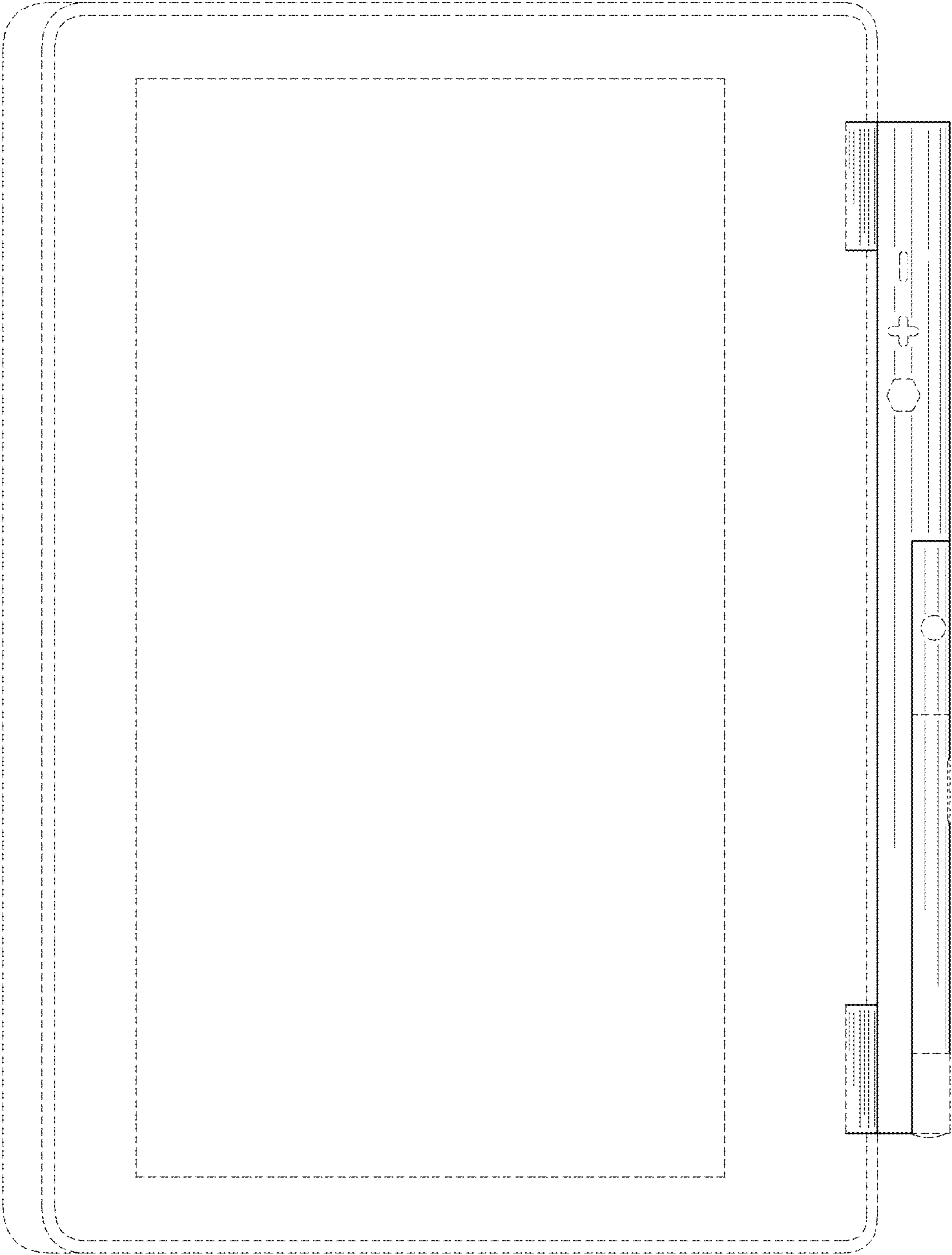


FIG. 6

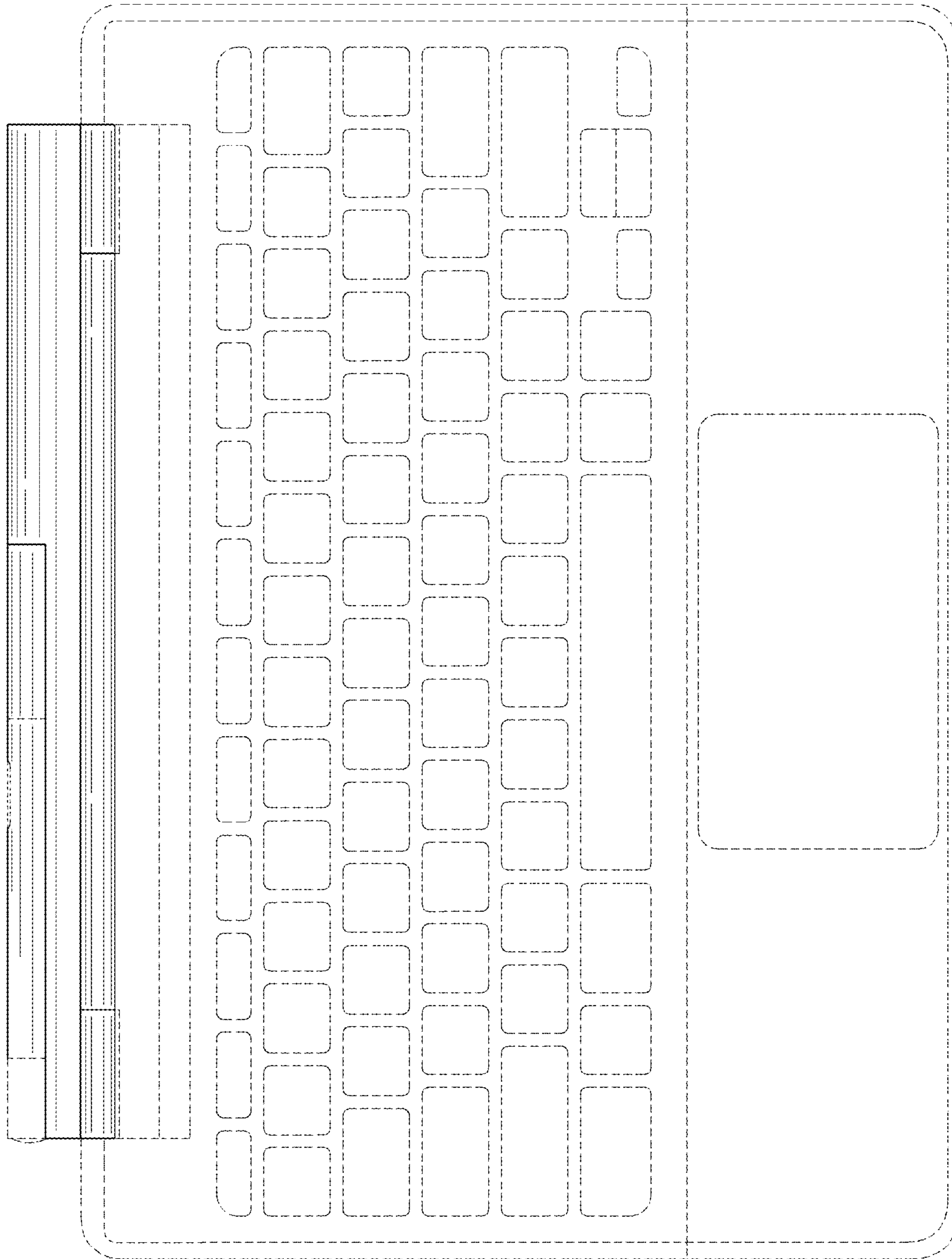


FIG. 7

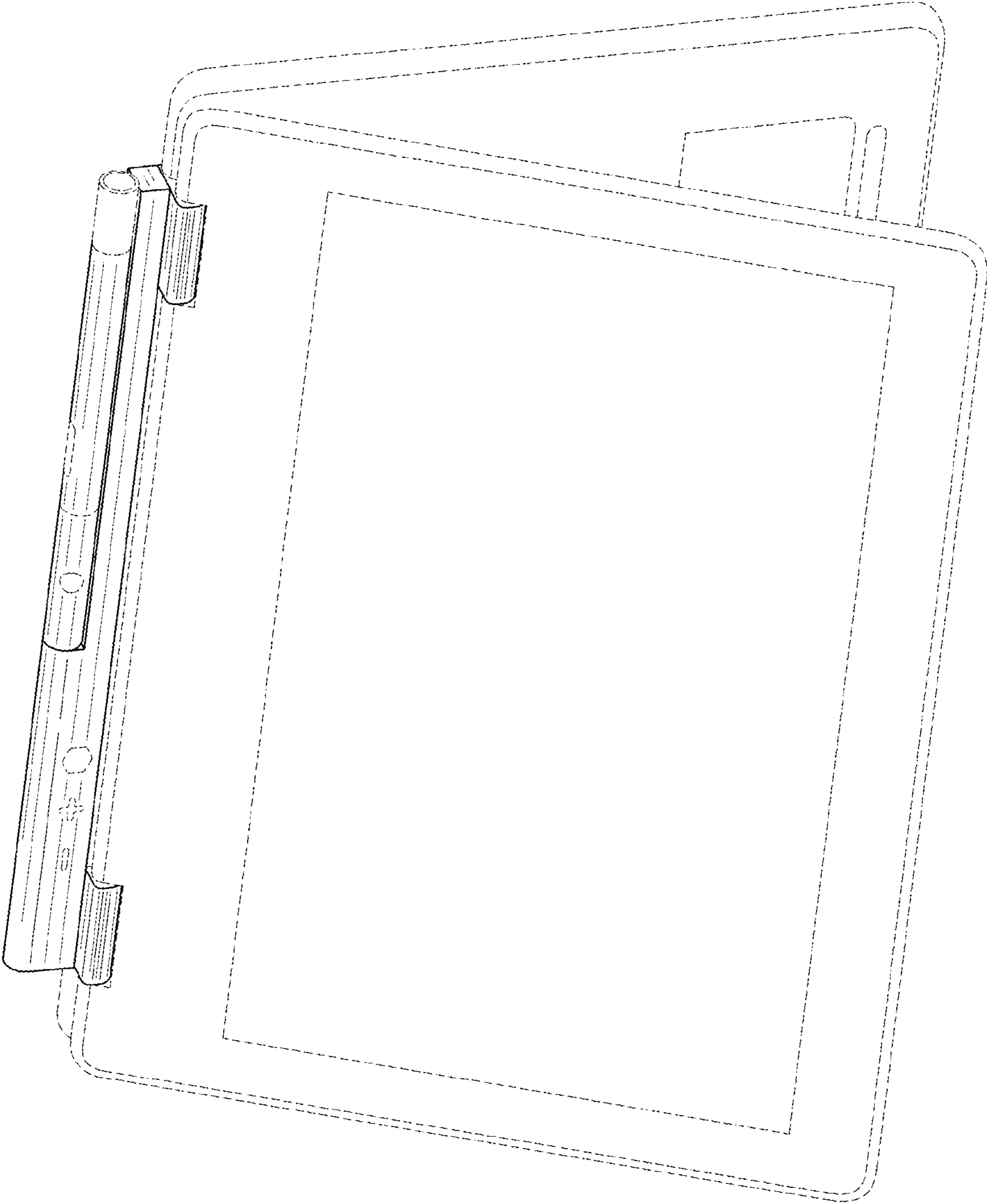


FIG. 8

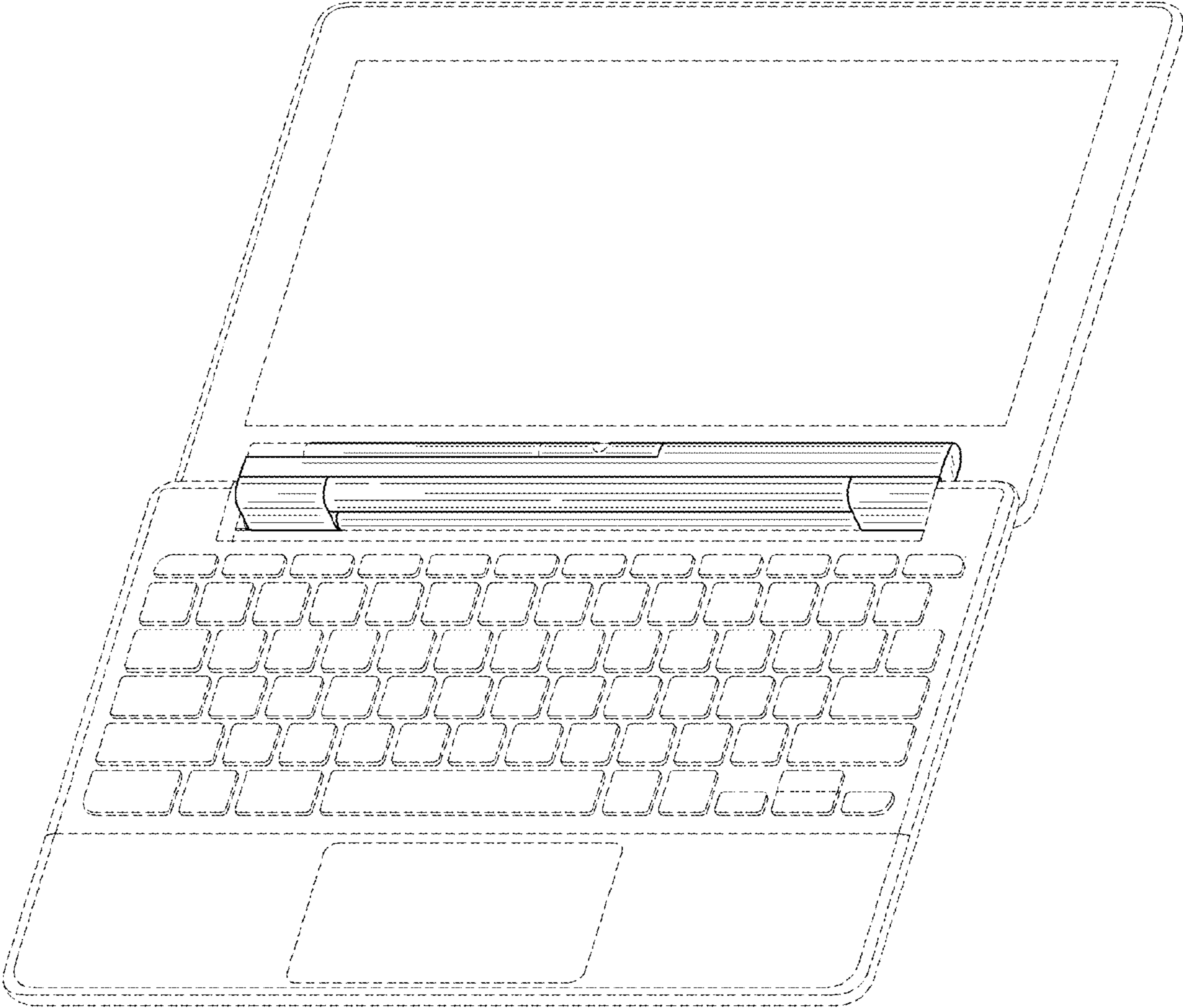


FIG. 9

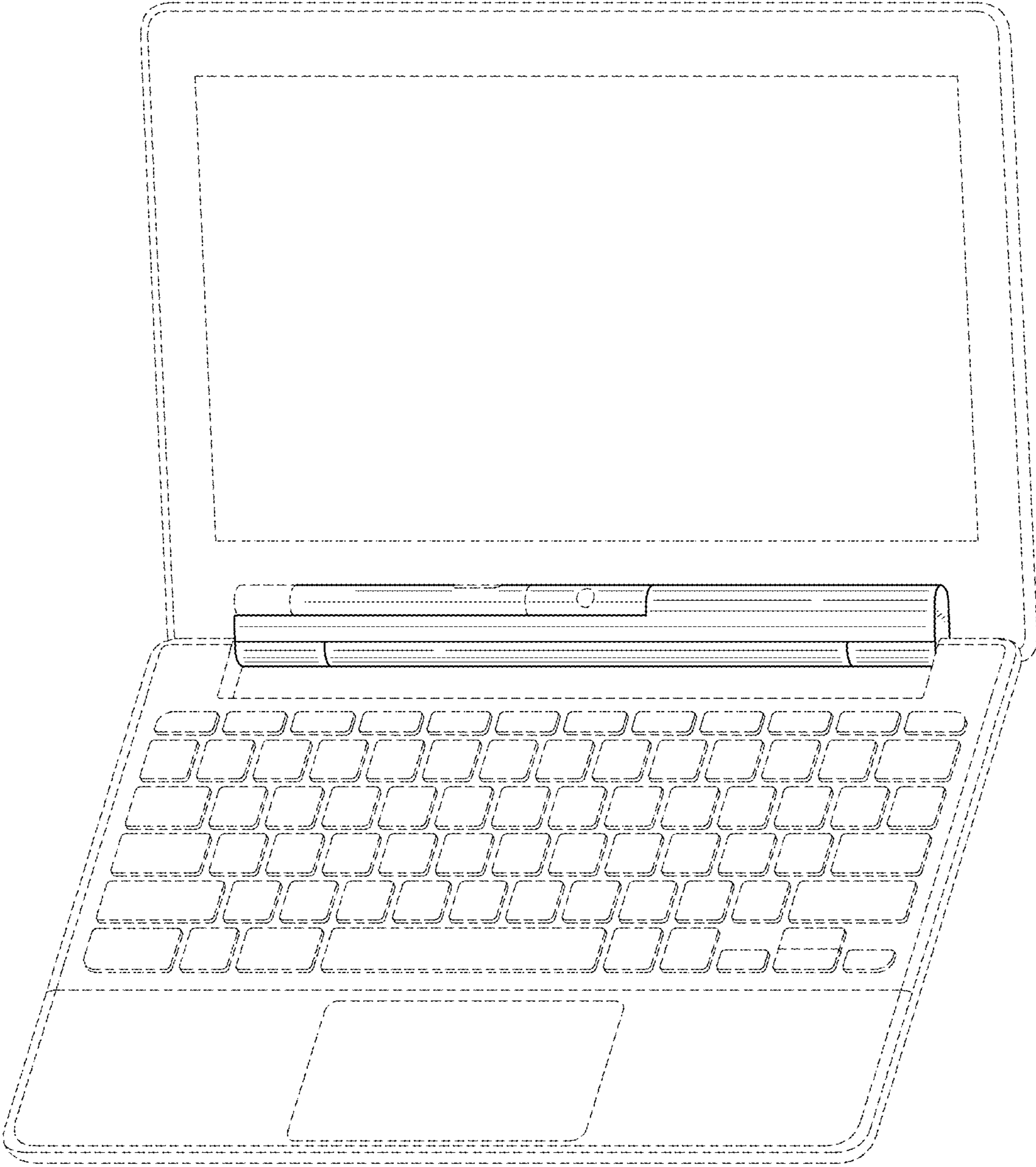


FIG. 10

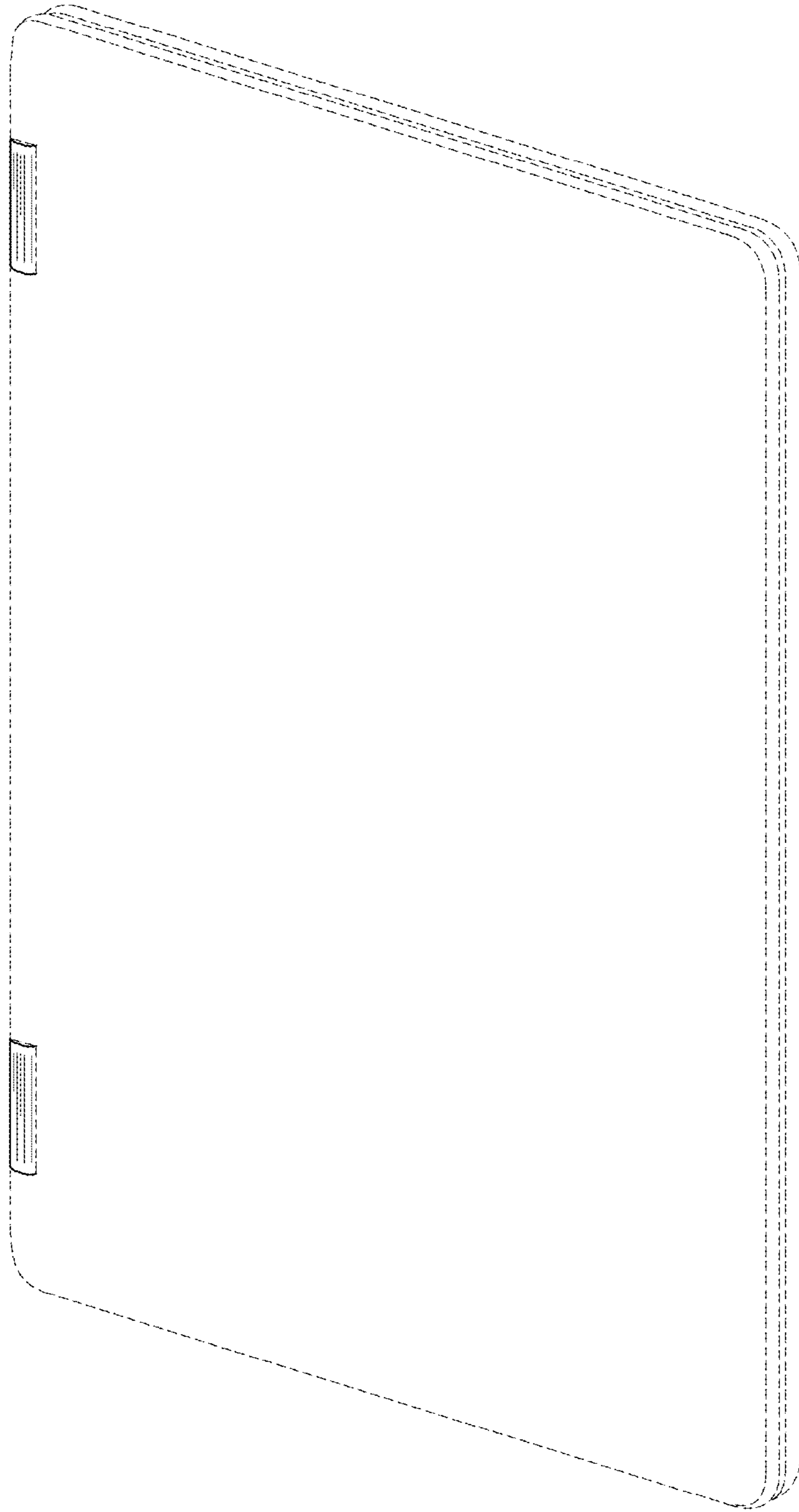


FIG. 11