



US00D869453S

(12) **United States Design Patent** (10) **Patent No.:** **US D869,453 S**  
**Wilder et al.** (45) **Date of Patent:** **\*\* Dec. 10, 2019**

- (54) **PORTABLE DEVICE CASE WITH ATTACHMENT ACCESSORY**
- (71) Applicant: **VIBES AUDIO LLC**, Irvine, CA (US)
- (72) Inventors: **Shane Wilder**, Aliso Viejo, CA (US);  
**Scharles Wilder**, San Diego, CA (US)
- (73) Assignee: **VIBES AUDIO LLC**, Irvine, CA (US)
- (\*\*) Term: **15 Years**
- (21) Appl. No.: **29/609,364**
- (22) Filed: **Jun. 29, 2017**

*Primary Examiner* — Susan E Krakower  
*Assistant Examiner* — L. A. Grabenstetter  
 (74) *Attorney, Agent, or Firm* — Knobbe, Martens, Olson & Bear, LLP

(57) **CLAIM**

The ornamental design for a portable device case with attachable accessory, as shown and described.

**DESCRIPTION**

FIG. 1 is a top, front, and left side isometric view of a portable device case with attachable accessory.  
 FIG. 2 is a rear, bottom, and right side isometric view of the portable device case with attachable accessory of FIG. 1.  
 FIG. 3 is a front view of the portable device case with attachable accessory of FIG. 1.  
 FIG. 4 is a rear view of the portable device case with attachable accessory of FIG. 1.  
 FIG. 5 is a left view of the portable device case with attachable accessory of FIG. 1.  
 FIG. 6 is a right view of the portable device case with attachable accessory of FIG. 1.  
 FIG. 7 is a top view of the portable device case with attachable accessory of FIG. 1.  
 FIG. 8 is a bottom view of the portable device case with attachable accessory of FIG. 1.  
 FIG. 9 is a top, front, and left side isometric view of the portable device case portion of the portable device case with attachable accessory of FIG. 1, shown separately for clarity of disclosure.  
 FIG. 10 is a rear, bottom, and right side isometric view of the portable device case portion of the portable device case with attachable accessory of FIG. 1, shown separately for clarity of disclosure.  
 FIG. 11 is a front view of the portable device case portion of the portable device case with attachable accessory of FIG. 1, shown separately for clarity of disclosure.  
 FIG. 12 is a rear view of the portable device case portion of the portable device case with attachable accessory of FIG. 1, shown separately for clarity of disclosure.

(Continued)

**Related U.S. Application Data**

- (63) Continuation-in-part of application No. 29/583,405, filed on Nov. 4, 2016, now Pat. No. Des. 835,087.
- (51) **LOC (12) Cl.** ..... **14-03**
- (52) **U.S. Cl.**  
USPC ..... **D14/250**
- (58) **Field of Classification Search**  
USPC ..... D3/201, 218, 232, 233, 239, 242,  
D3/245–247, 250, 251, 269, 273, 301,  
(Continued)

(56) **References Cited**

**U.S. PATENT DOCUMENTS**

- 5,245,669 A 9/1993 Bittencourt
  - D344,261 S \* 2/1994 Watanabe ..... D13/107
- (Continued)

**FOREIGN PATENT DOCUMENTS**

- KR 3006336210000 2/2012
  - KR 3008836580000 12/2016
- (Continued)

**OTHER PUBLICATIONS**

Vibes Audio Vibrox Review, posting date Dec. 12, 2017, [site visited Dec. 15, 2017][online]<URL: <https://www.digitaltrends.com/music/vibes-audio-vibrox-review/>> (Year: 2017).\*

(Continued)

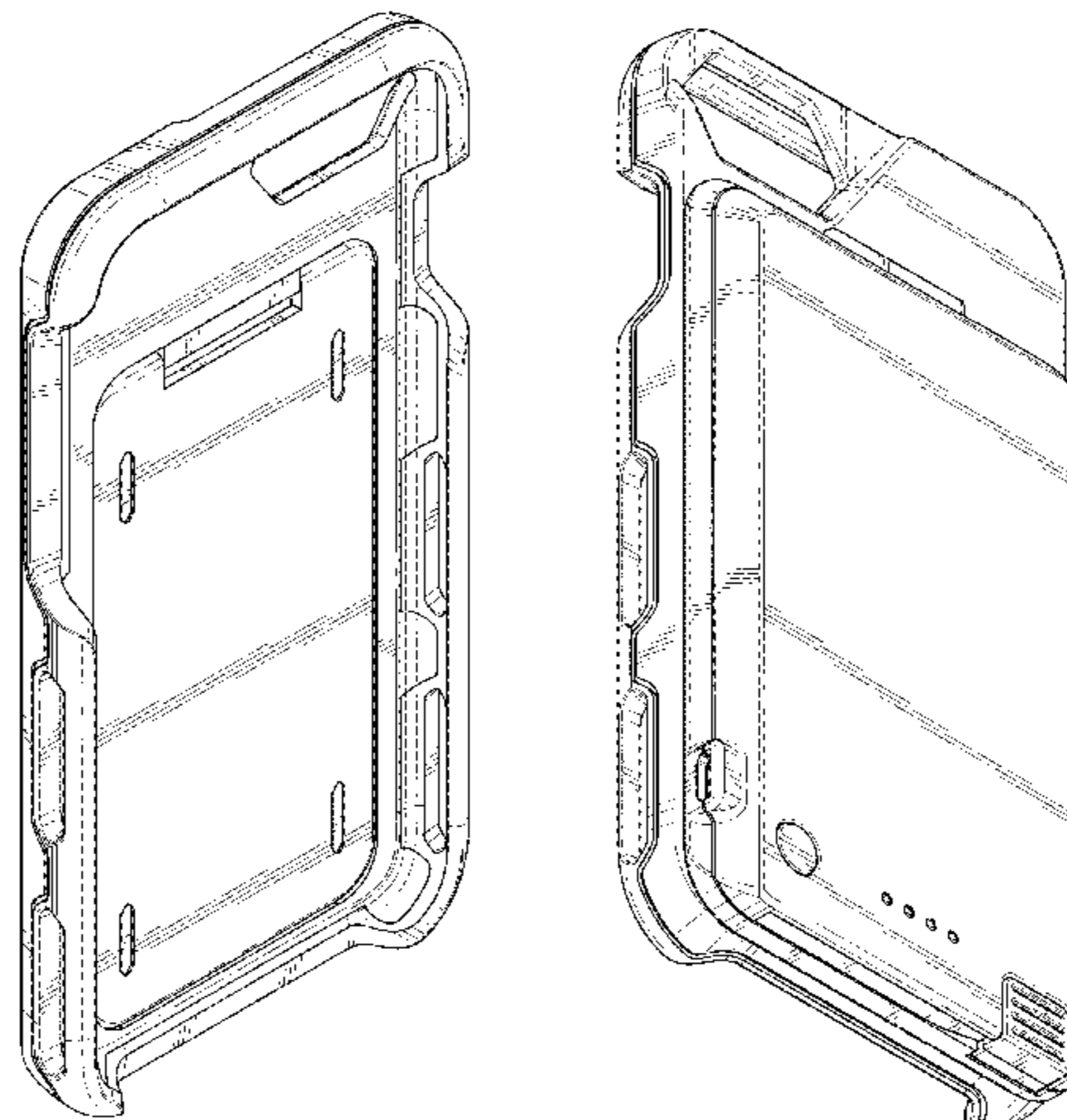


FIG. 13 is a left view of the portable device case portion of the portable device case with attachable accessory of FIG. 1, shown separately for clarity of disclosure.

FIG. 14 is a right view of the portable device case portion of the portable device case with attachable accessory of FIG. 1, shown separately for clarity of disclosure.

FIG. 15 is a top view of the portable device case portion of the portable device case with attachable accessory of FIG. 1, shown separately for clarity of disclosure.

FIG. 16 is a bottom view of the portable device case portion of the portable device case with attachable accessory of FIG. 1, shown separately for clarity of disclosure.

FIG. 17 is a cross sectional view of the portable device case portion of the portable device case with attachable accessory, taken in the direction of line 17-17 of FIG. 1.

FIG. 18 is a top, front, and left side isometric view of the attachable accessory portion of the portable device case with attachable accessory of FIG. 1, shown separately for clarity of disclosure.

FIG. 19 is a rear, bottom, and right side view of the attachable accessory portion of the portable device case with attachable accessory of FIG. 1, shown separately for clarity of disclosure.

FIG. 20 is a rear view of the attachable accessory portion of the portable device case with attachable accessory of FIG. 1, shown separately for clarity of disclosure.

FIG. 21 is a front view of the attachable accessory portion of the portable device case with attachable accessory of FIG. 1, shown separately for clarity of disclosure.

FIG. 22 is a left view of the attachable accessory portion of the portable device case with attachable accessory of FIG. 1, shown separately for clarity of disclosure.

FIG. 23 is a right view of the attachable accessory portion of the portable device case with attachable accessory of FIG. 1, shown separately for clarity of disclosure.

FIG. 24 is a top view of the attachable accessory portion of the portable device case with attachable accessory of FIG. 1, shown separately for clarity of disclosure; and,

FIG. 25 is a bottom view of the attachable accessory portion of the portable device case with attachable accessory of FIG. 1, shown separately for clarity of disclosure.

The broken lines in the drawings are for illustrative purposes only and form no part of the claimed design.

Although the portable device case with attachable accessory in which the claimed design is embodied consists of a portable device case and an attachable accessory the claim is directed to the ornamental appearance of the portable device case with attachable accessory in its entirety and does not extend to the ornamental appearance of each of the individual components of the portable device case with attachable accessory in isolation.

**1 Claim, 19 Drawing Sheets**

(58) **Field of Classification Search**

USPC ..... D3/303; D13/103, 107, 108, 119; D14/137, 138 R, 138 AA, 138 C, 138 G, D14/172, 203.3–203.7, 217, 204, 209.1, D14/215, 218, 221, 238.1, 247, 248, 250, D14/251–253, 372, 440, 496  
 CPC ..... H04B 1/3888; H04M 1/0283; H04M 1/0202; A45C 1/06; A45C 2011/002; A45C 23/02; A45C 11/00; A45F

2005/028; A45F 2200/0525; A45F 2200/0518

See application file for complete search history.

(56)

**References Cited**

U.S. PATENT DOCUMENTS

6,675,931	B2	1/2004	Sahyoun	
D542,287	S *	5/2007	Chung	D14/215
7,457,407	B2 *	11/2008	Sun	H04M 1/0262 379/433.01
D586,787	S *	2/2009	Rivard	D14/217
D596,158	S *	7/2009	Ragde, Jr.	D14/214
D596,618	S *	7/2009	Zha	D14/203.8
7,639,830	B2	12/2009	Schell et al.	
7,653,209	B2	1/2010	Abe et al.	
7,985,501	B2 *	7/2011	Kim	H01M 2/0404 429/138
D654,931	S *	2/2012	Lemelman	D14/496
8,251,210	B2	8/2012	Schmidt et al.	
8,435,656	B2 *	5/2013	Koh	H01M 2/0404 320/116
D685,728	S *	7/2013	Hoshi	D13/103
D685,738	S *	7/2013	Moore	D13/119
8,485,404	B2	7/2013	Monaco et al.	
D688,654	S *	8/2013	Stevinson	D14/250
8,833,379	B1 *	9/2014	Kaplan	A45D 33/26 132/287
D723,533	S *	3/2015	Stevinson	D14/250
D724,785	S *	3/2015	Frederick	D14/250
D725,643	S *	3/2015	Lee	D14/250
D726,144	S *	4/2015	Kang	D14/204
D735,184	S *	7/2015	Lee	D14/250
D746,801	S *	1/2016	Pan	D14/250
9,236,617	B2 *	1/2016	Ogami	H01M 2/1061
D756,967	S *	5/2016	Manz	D14/214
D759,004	S *	6/2016	Stevinson	D14/250
D765,069	S *	8/2016	Jeffrey	D14/250
9,525,946	B2	12/2016	Bank	
9,653,724	B2 *	5/2017	Lim	H01M 2/348
9,887,725	B1 *	2/2018	Wilder	H04B 1/3888
D835,087	S	12/2018	Wilder et al.	
10,211,876	B2	2/2019	Wilder et al.	
2005/0168111	A1	8/2005	Bank et al.	
2013/0157730	A1	6/2013	McCormac et al.	
2013/0181584	A1	7/2013	Whitten et al.	
2014/0135080	A1	5/2014	Kimball et al.	
2014/0290917	A1	10/2014	Chang et al.	
2015/0341712	A1	11/2015	Wilcox et al.	
2018/0198479	A1	7/2018	Wilder et al.	

FOREIGN PATENT DOCUMENTS

KR	3008854610000	12/2016
KR	3009120470000	6/2017

OTHER PUBLICATIONS

U.S. Appl. No. 15/287,211, filed Oct. 6, 2016, Wilder et al.  
 U.S. Appl. No. 29/583,405, filed Nov. 4, 2016, Wilder et al.  
 International Search Report and Written Opinion of the International Searching Authority for International Application No. PCT/US2017/05518, dated Feb. 13, 2018, in 14 pages.  
 Roxon Modular Smartphone System, Vibes Modular, downloaded from <https://vibesmodular.com/> on Apr. 30, 2018, in 6 pages.  
 U.S. Appl. No. 29/671,962, dated Nov. 30, 2018, Wilder et al.  
 U.S. Appl. No. 16/340,078, dated Apr. 5, 2019, Wilder et al.  
 U.S. Appl. No. 16/277,702, dated Feb. 15, 2019, Wilder et al.

\* cited by examiner

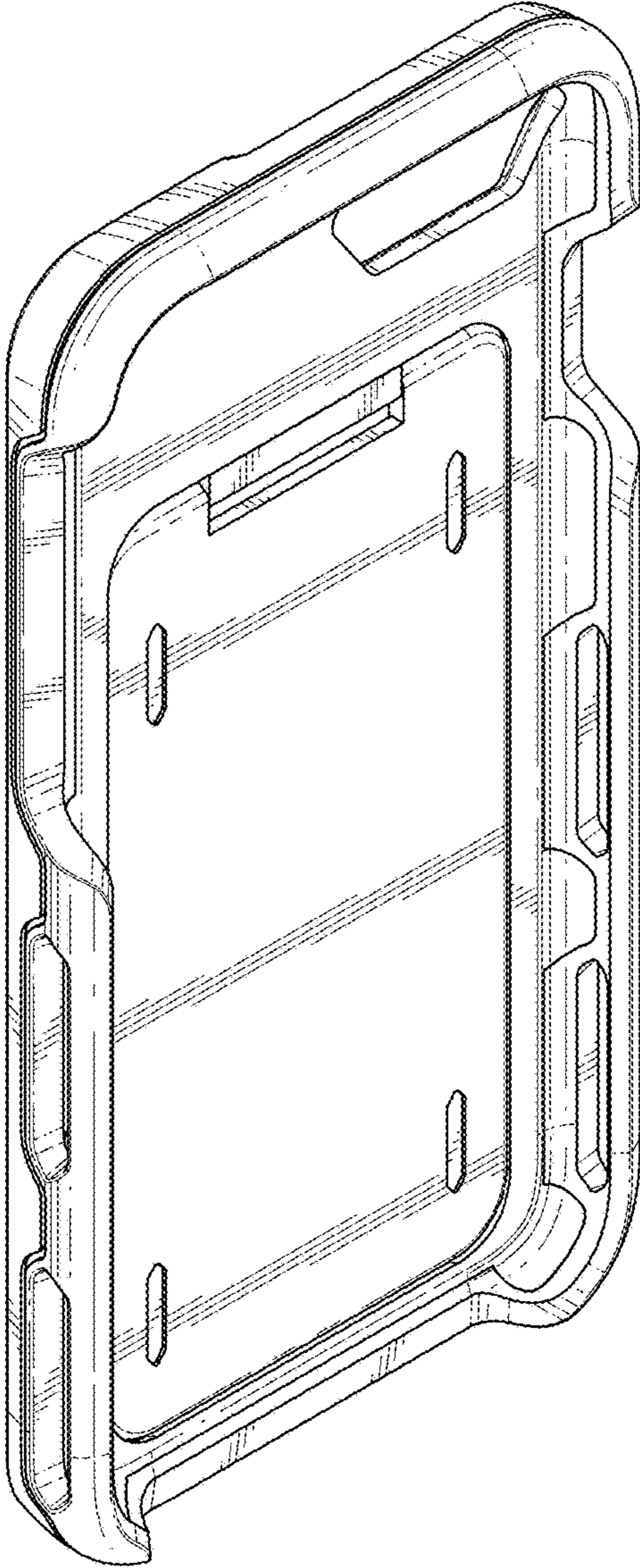


FIG. 1

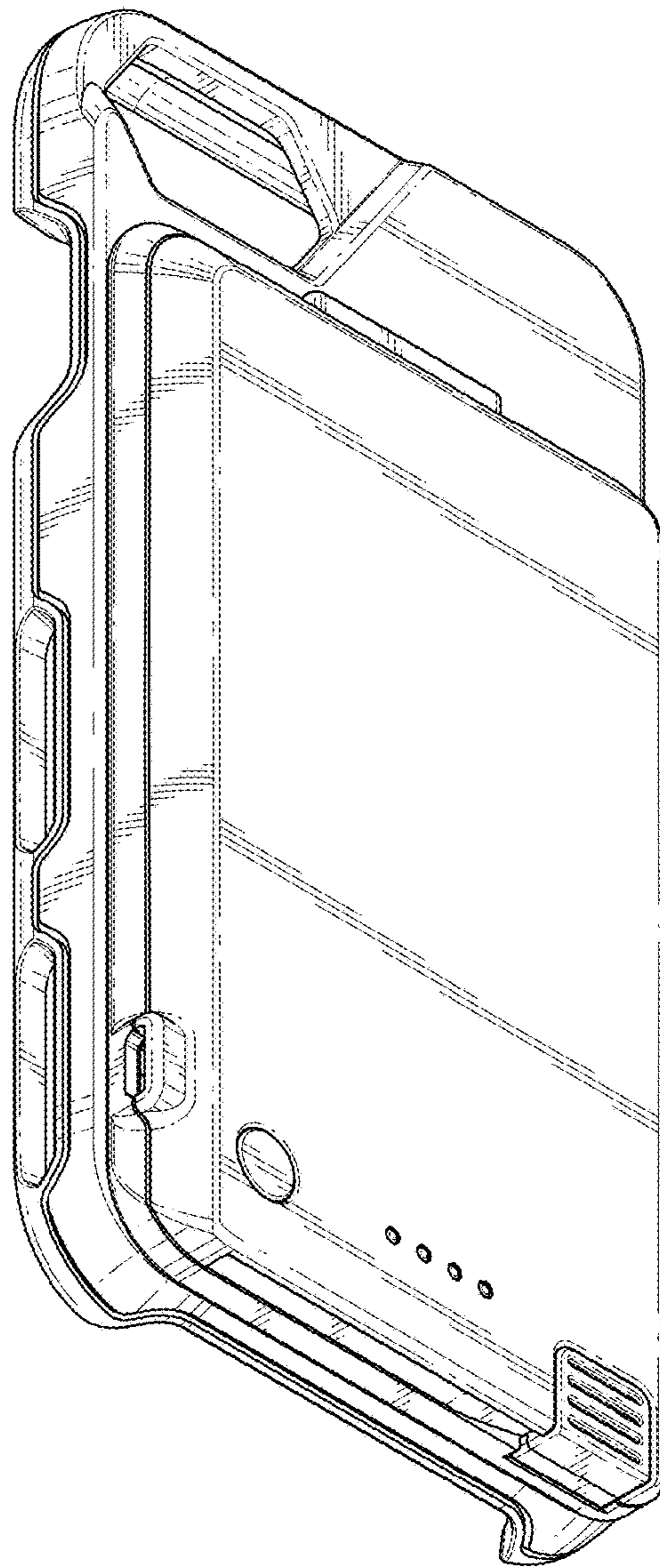


FIG. 2

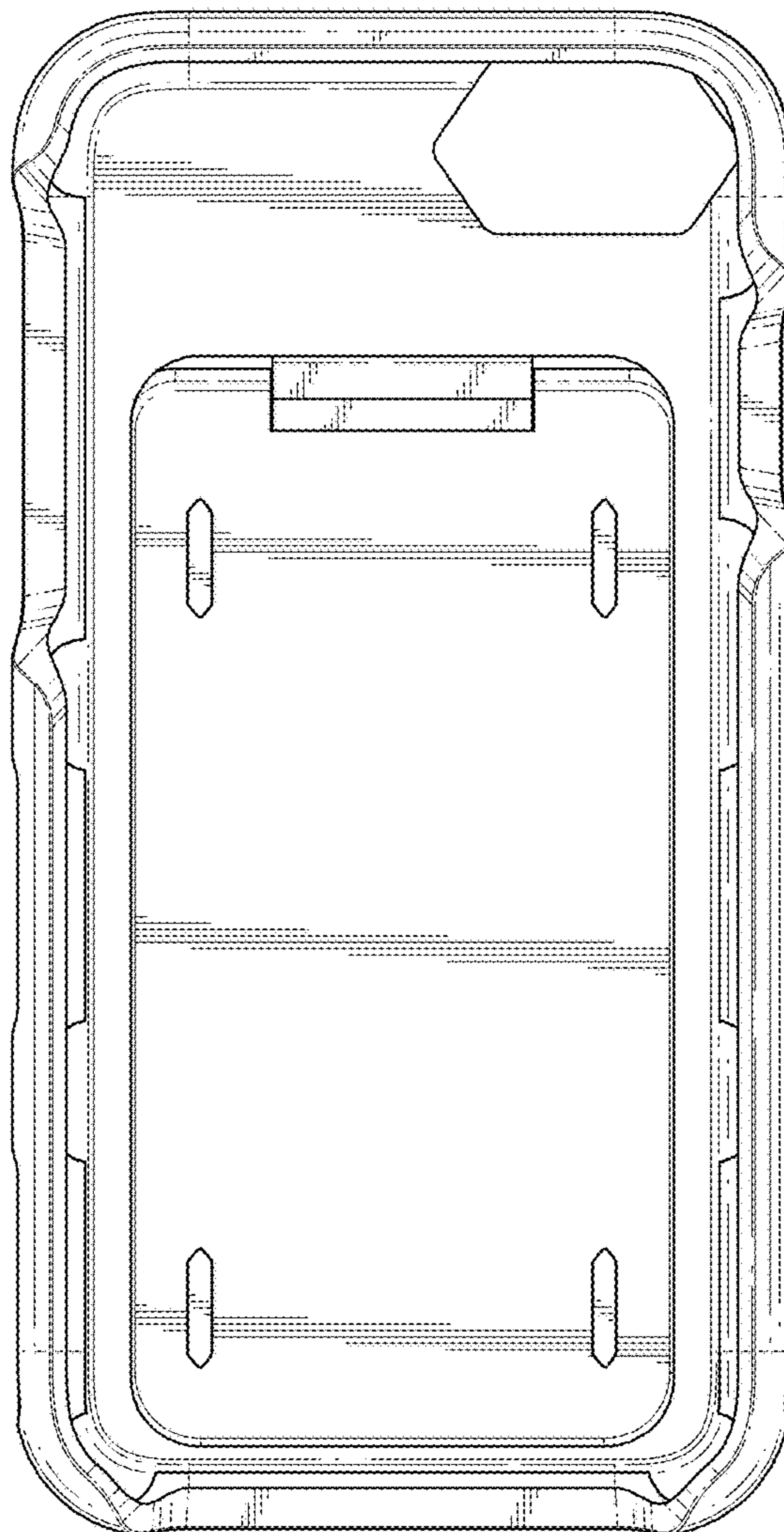


FIG. 3

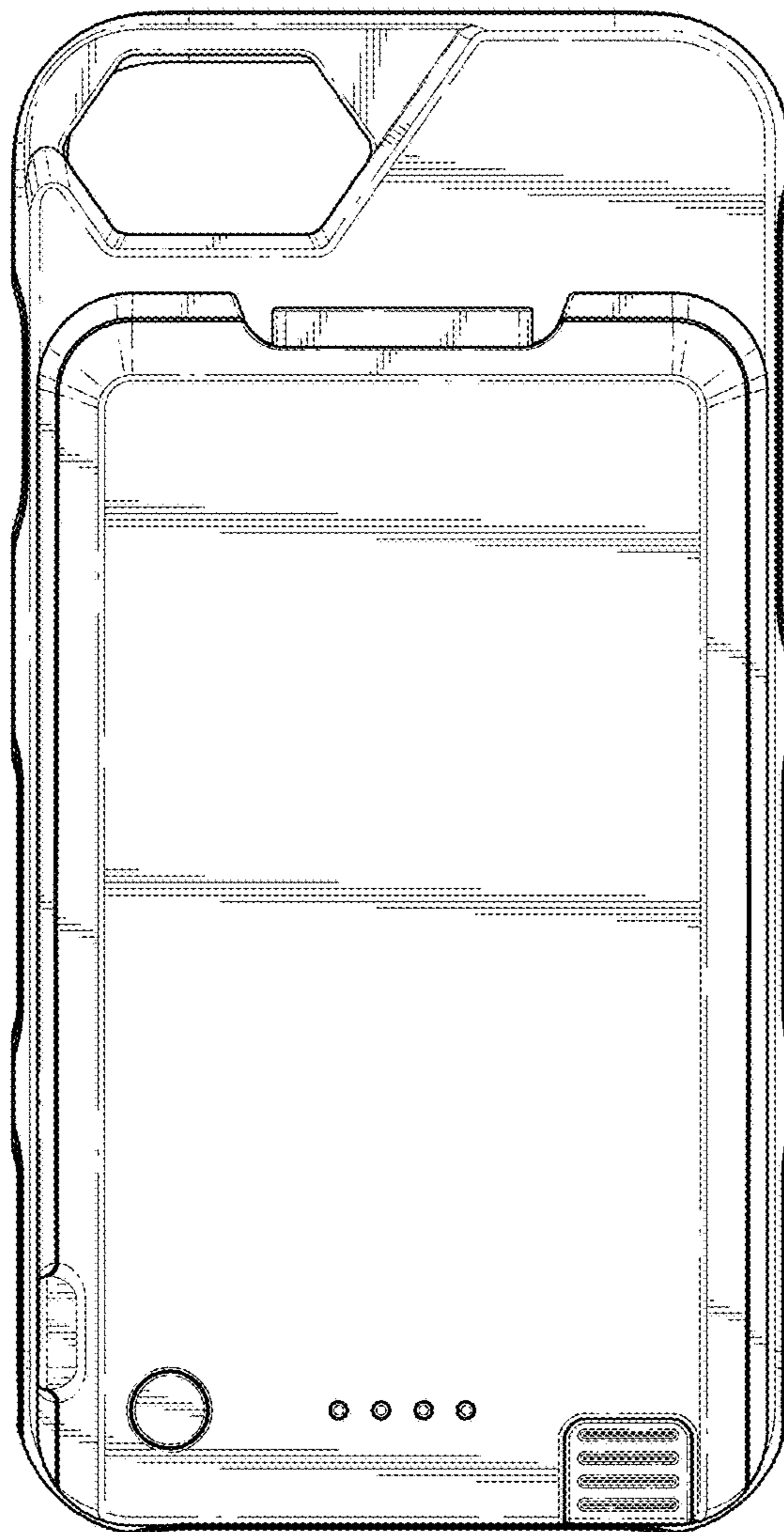


FIG. 4

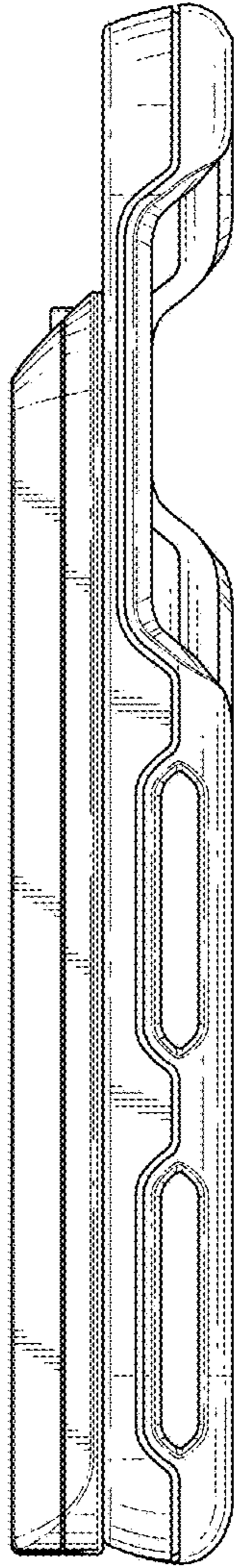


FIG. 5

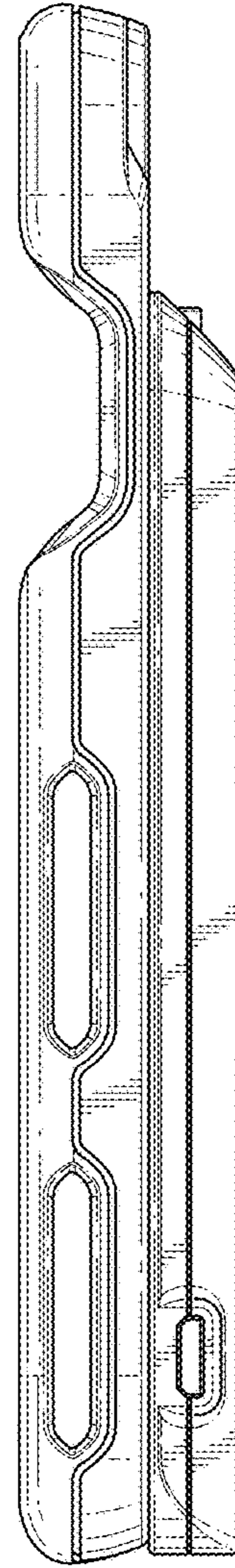


FIG. 6

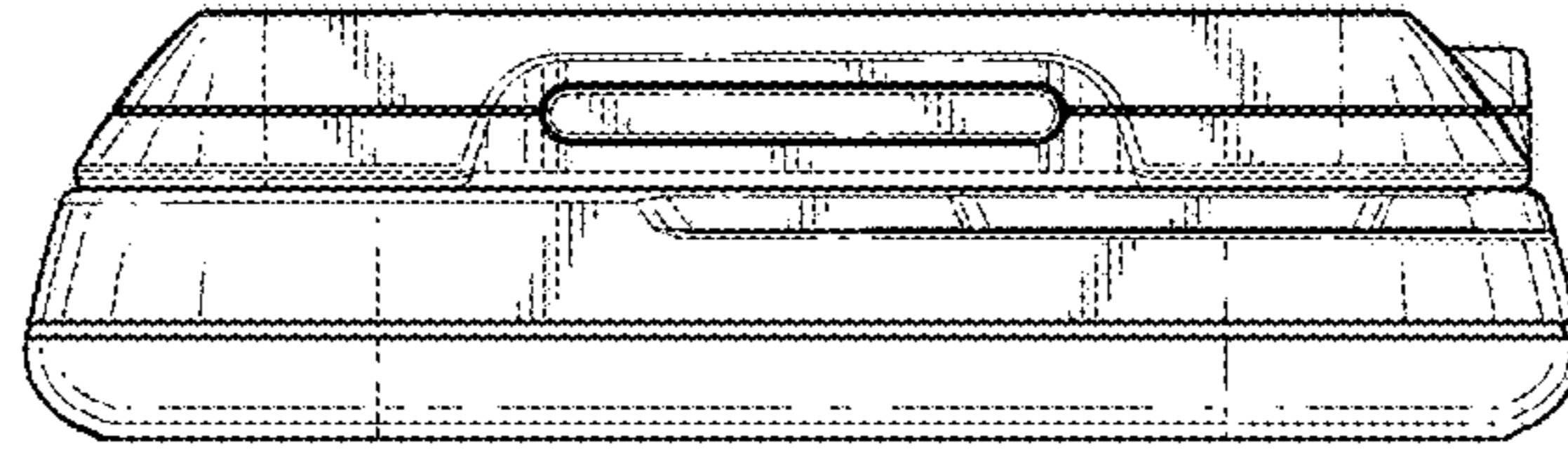


FIG. 7



FIG. 8



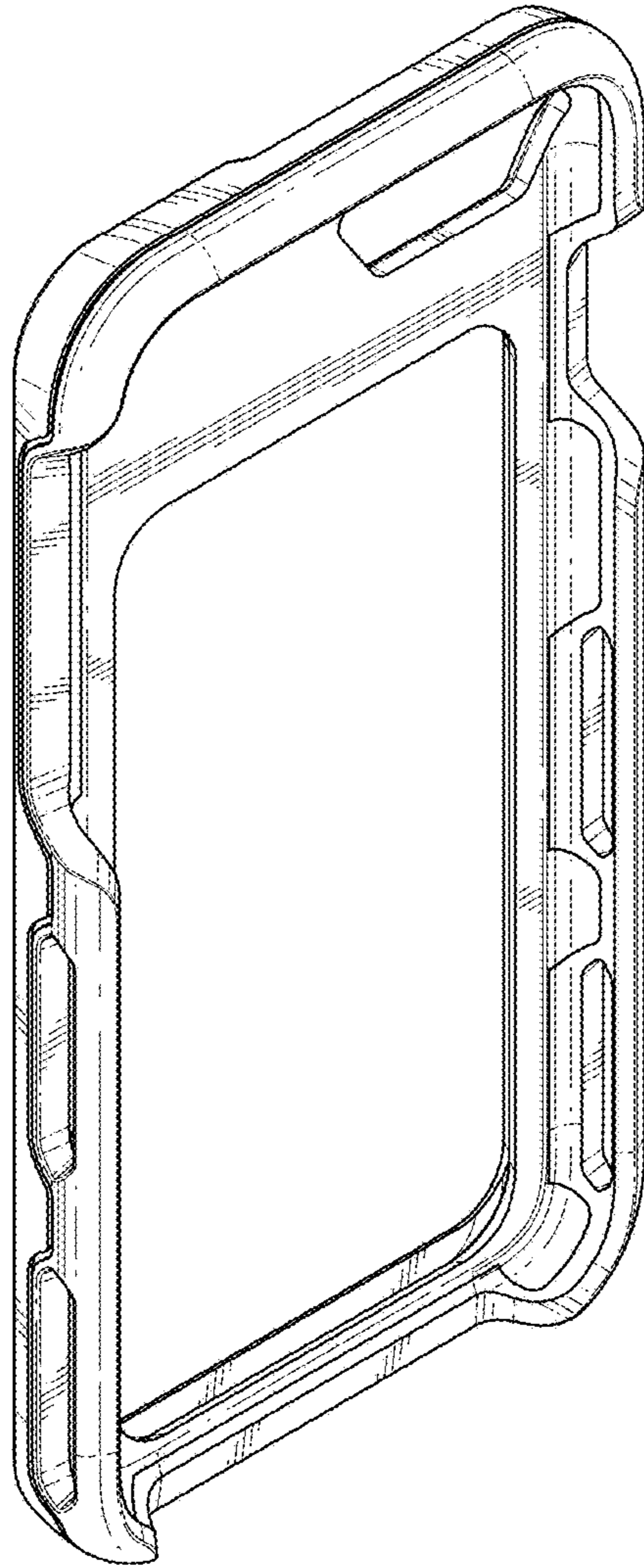


FIG. 9

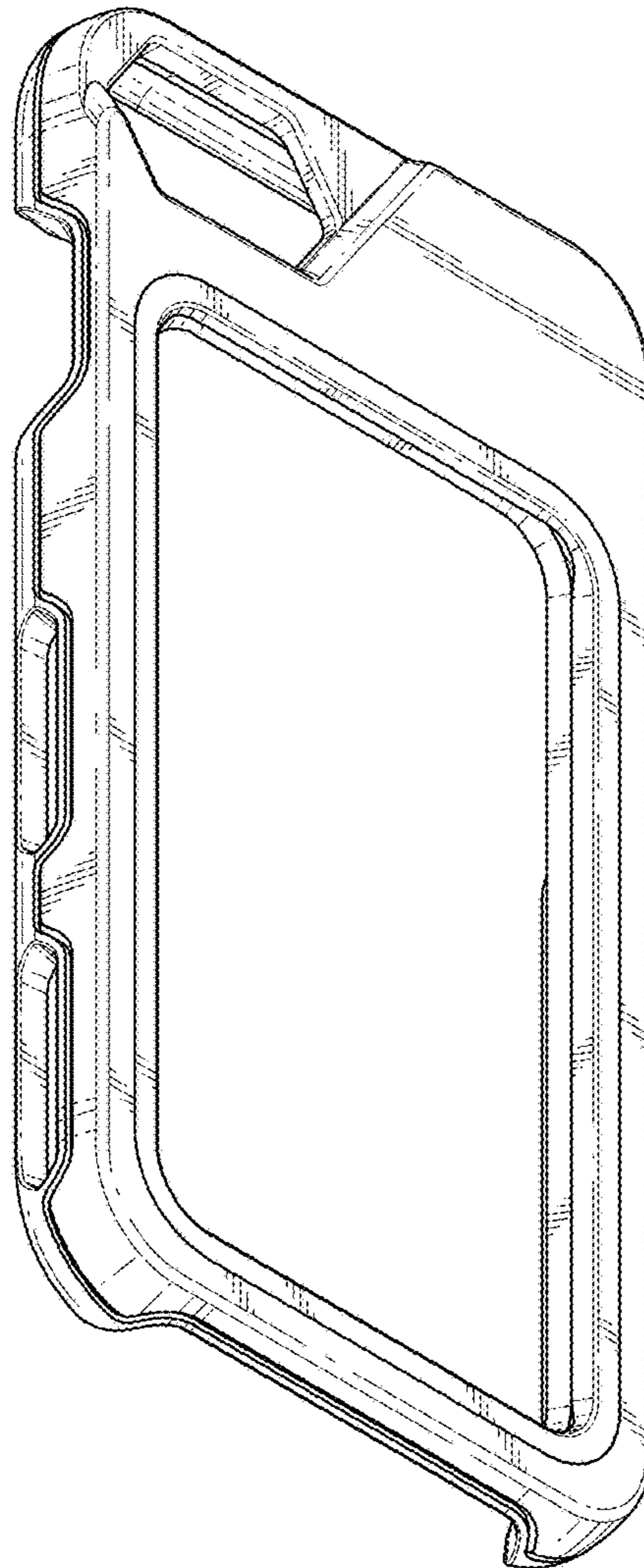


FIG. 10

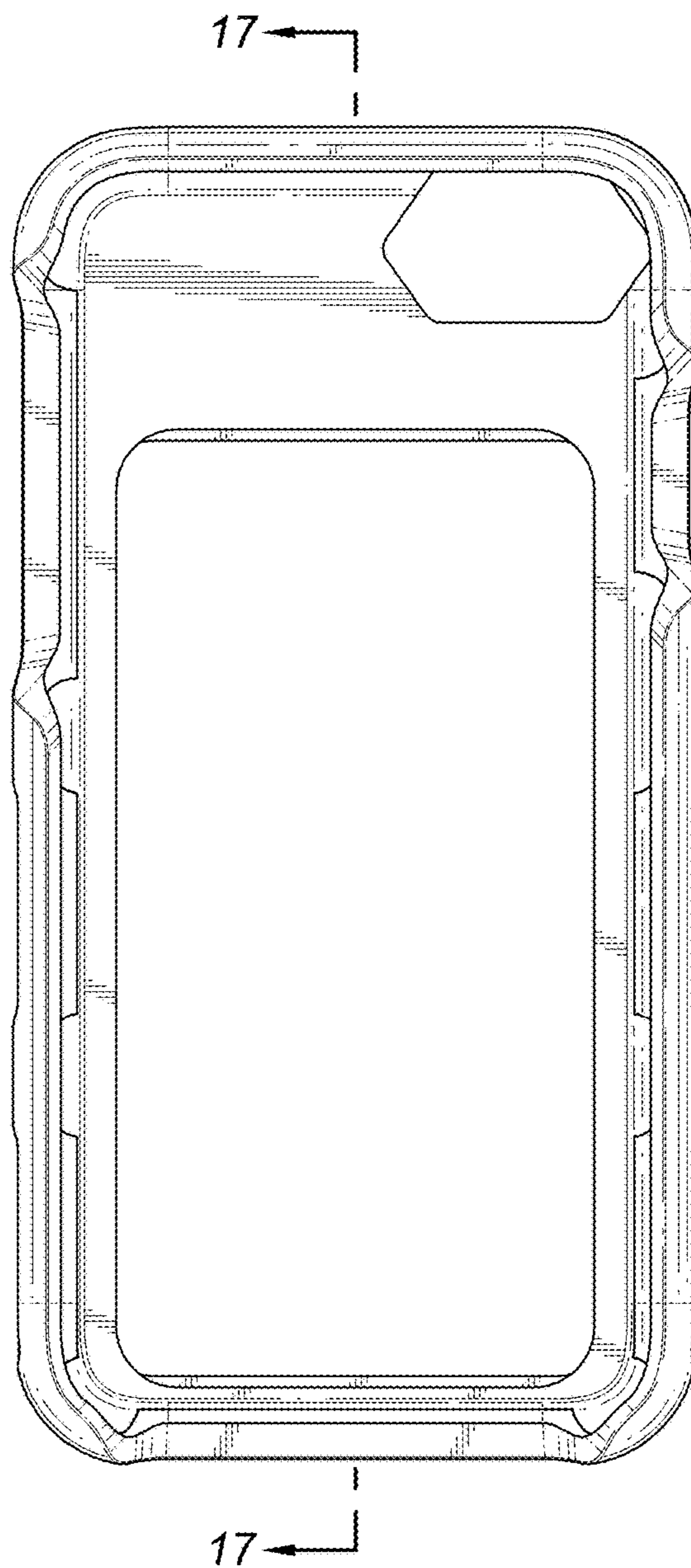


FIG. 11

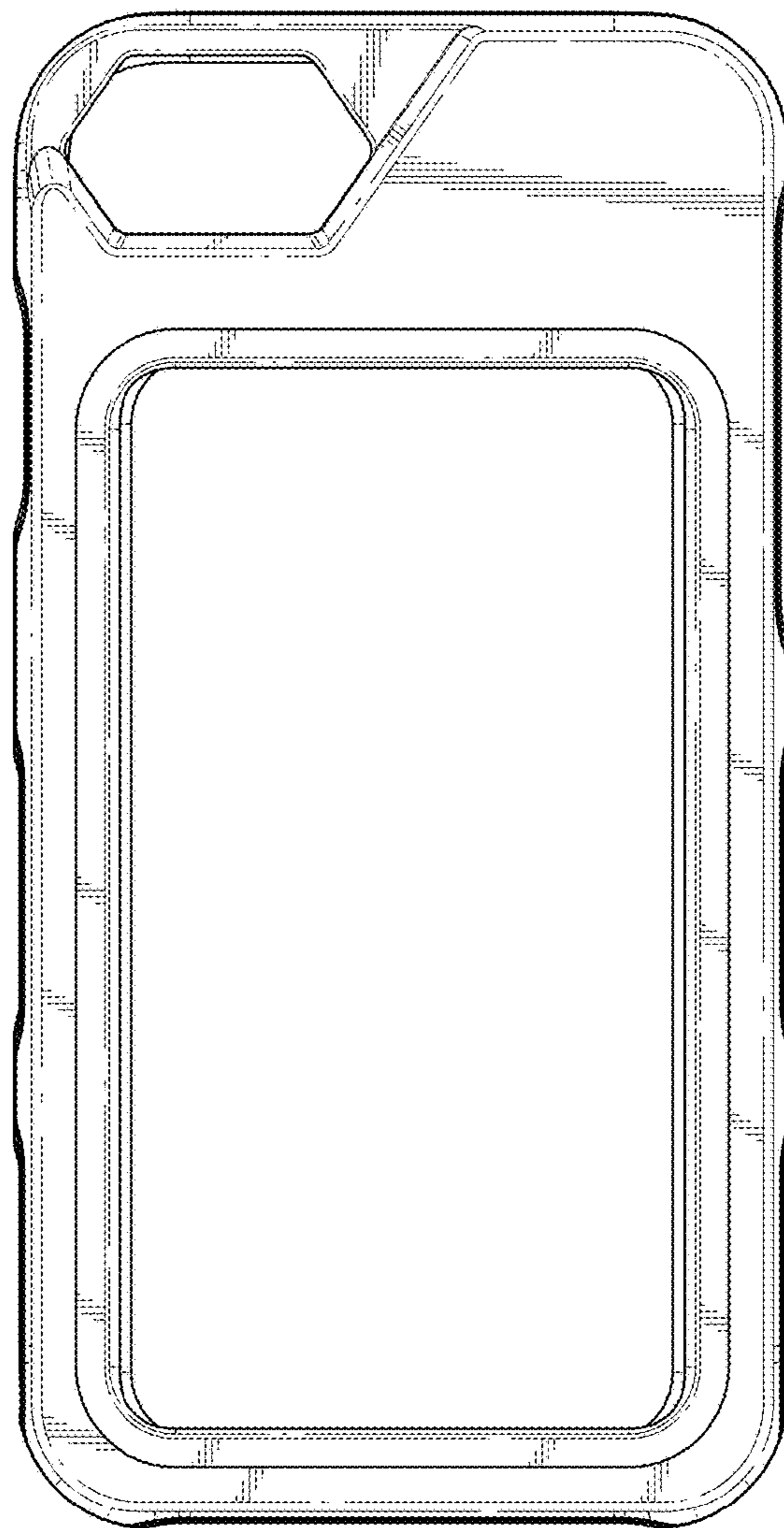


FIG. 12

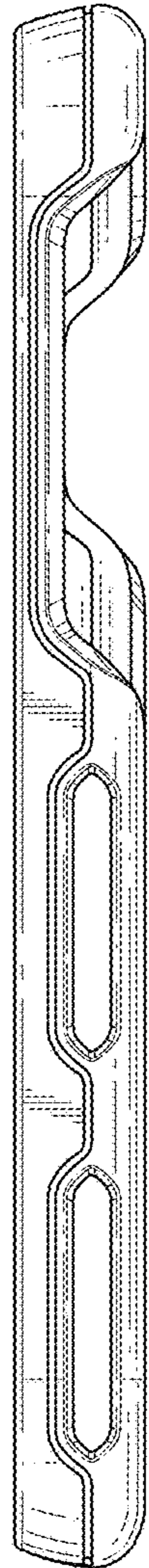


FIG. 13

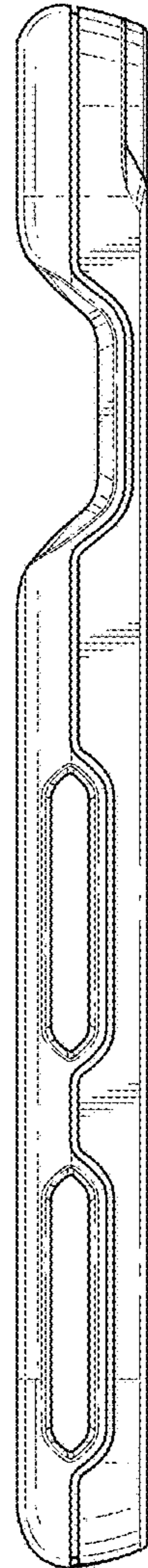


FIG. 14



FIG. 15

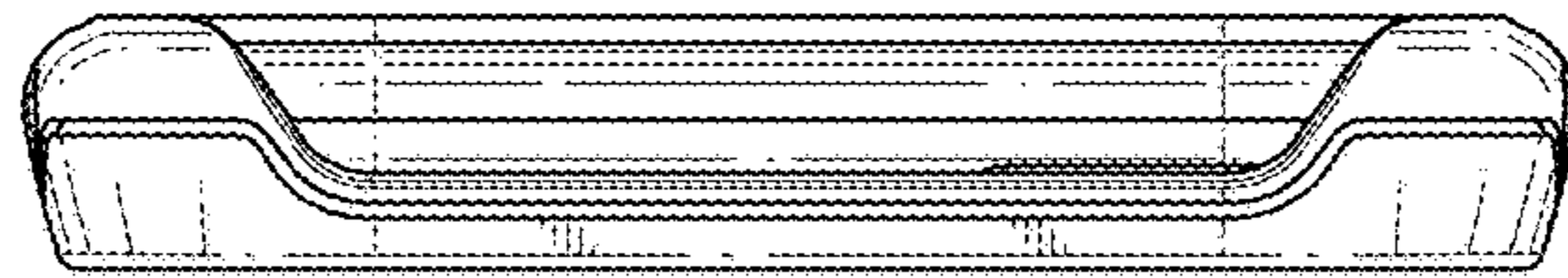


FIG. 16

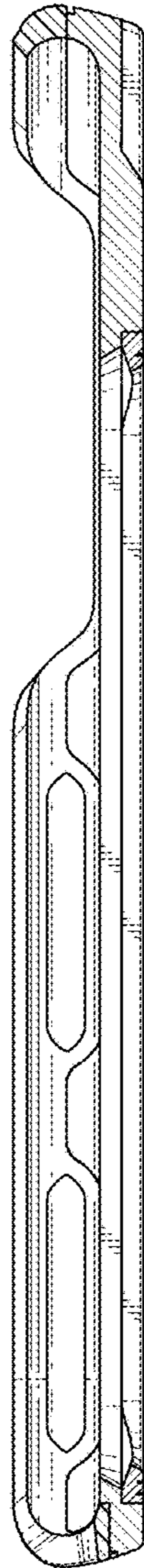


FIG. 17

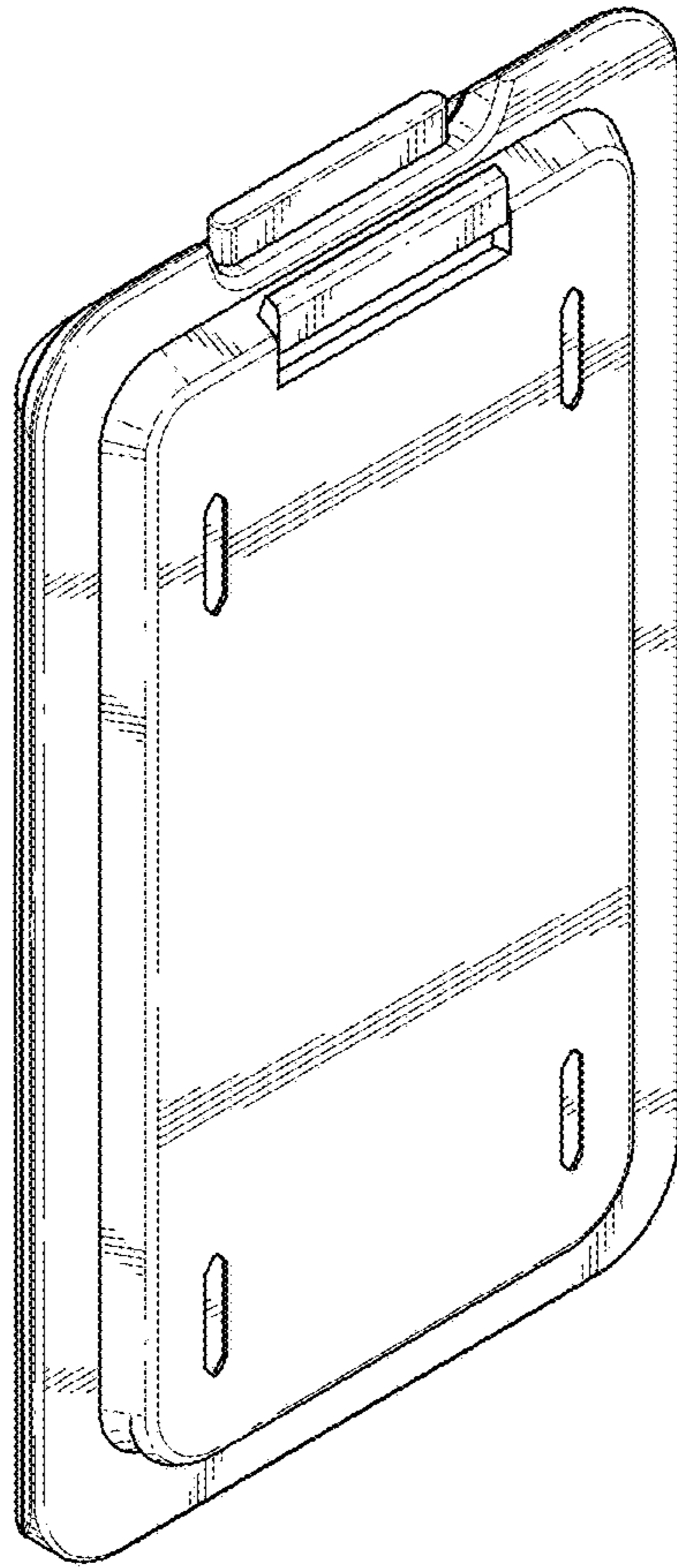


FIG. 18



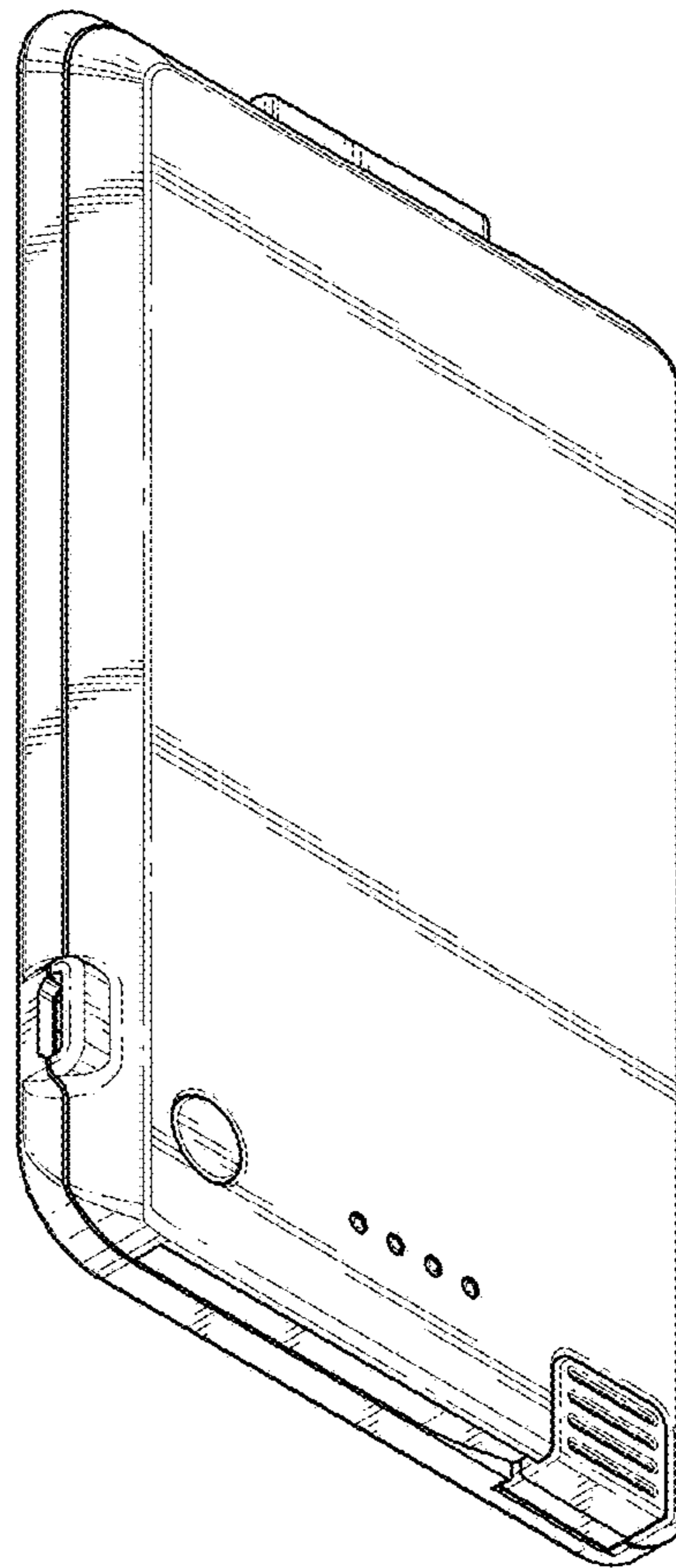


FIG. 19

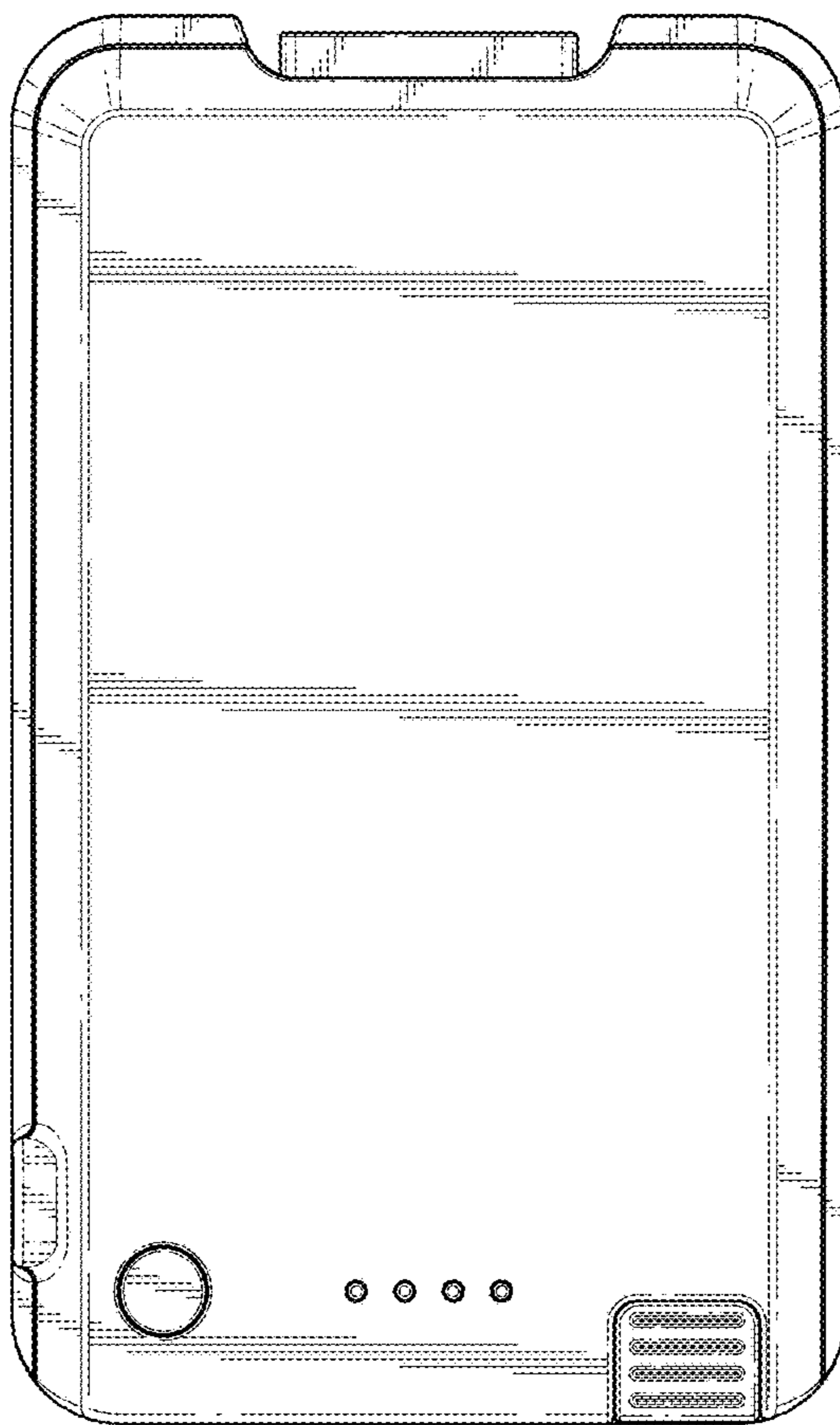


FIG. 20

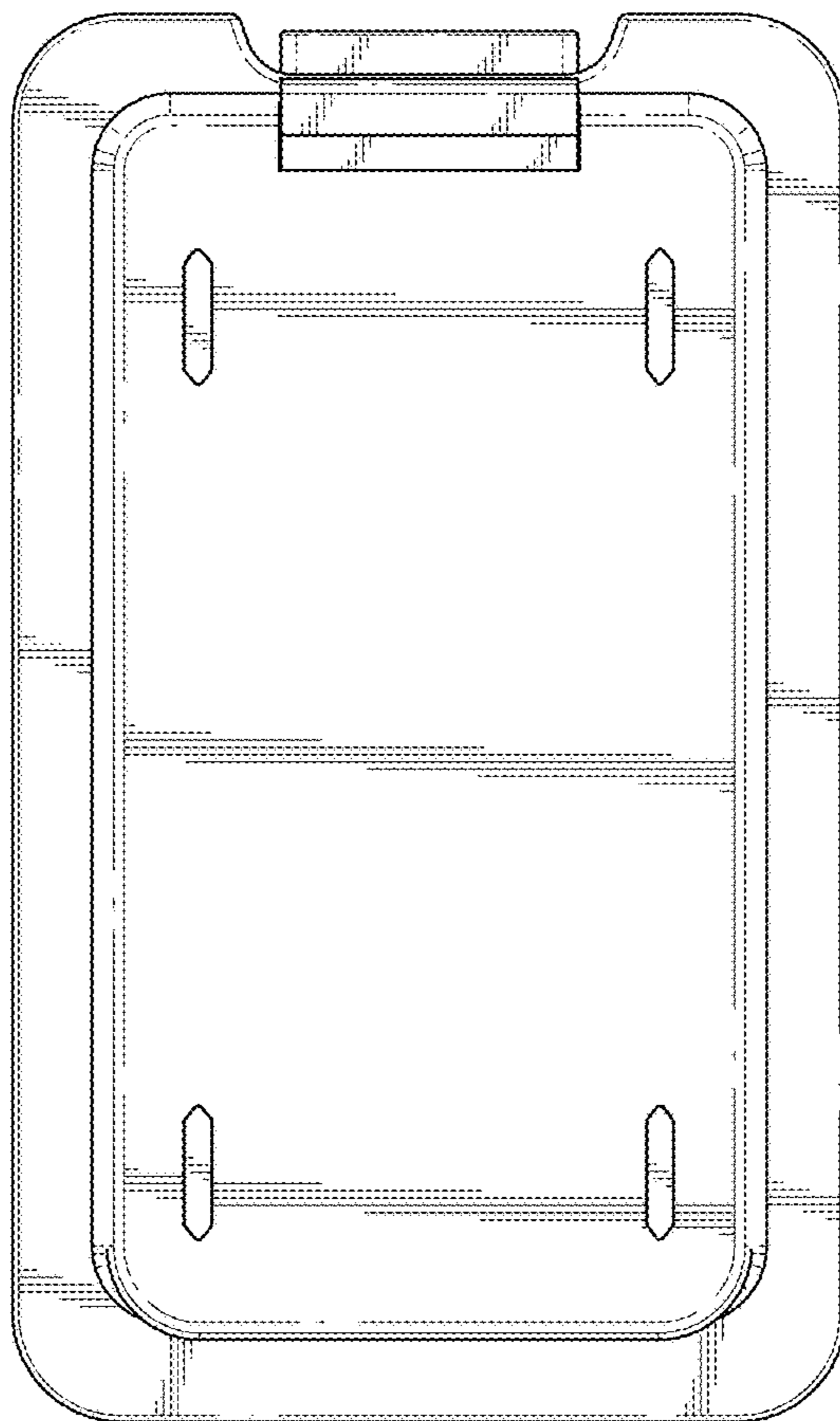


FIG. 21

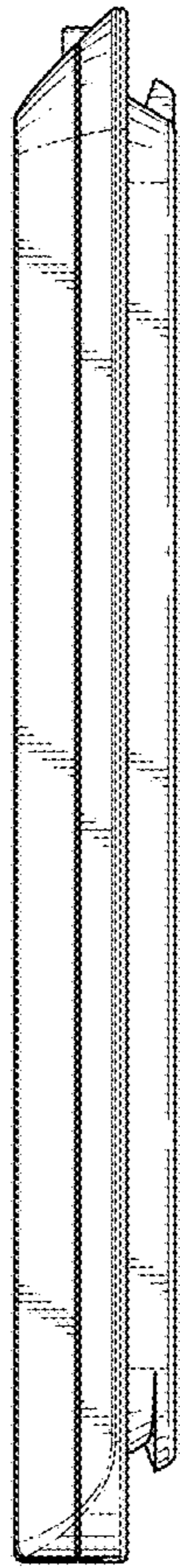


FIG. 22



FIG. 23

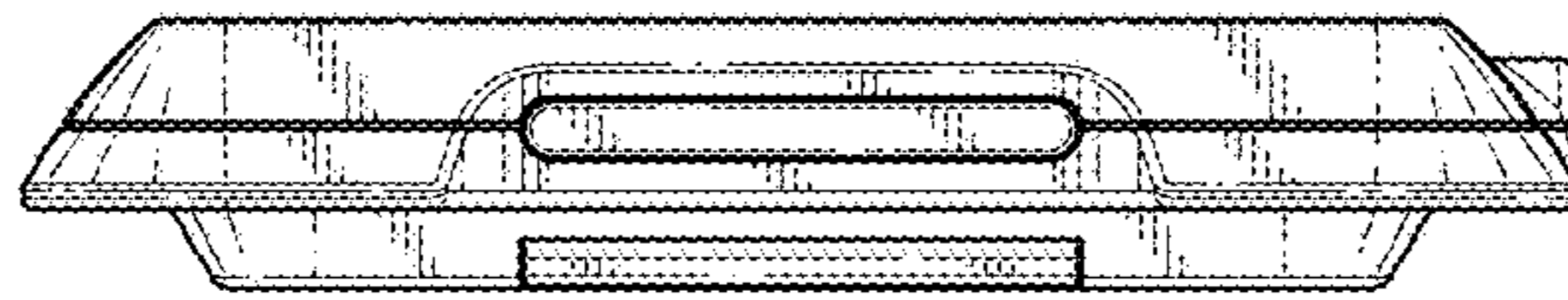


FIG. 24

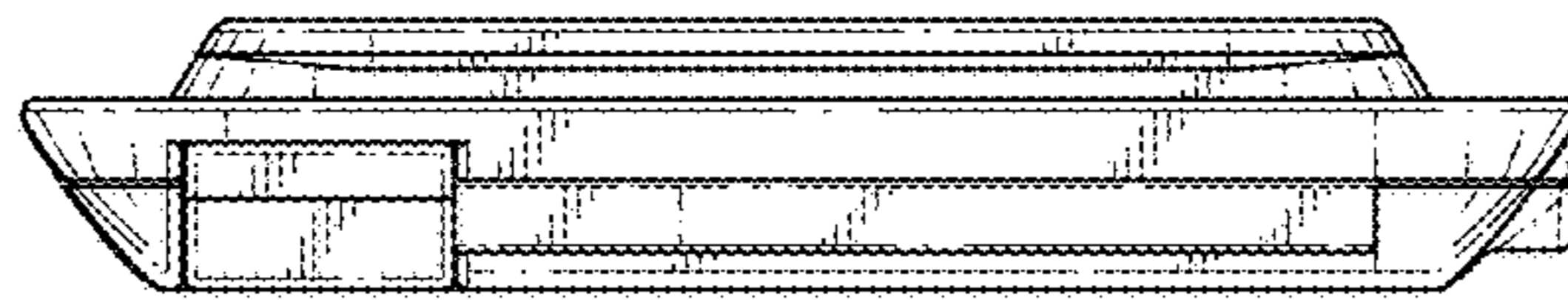


FIG. 25