



US00D869450S

(12) **United States Design Patent** (10) **Patent No.:** **US D869,450 S**
Yang (45) **Date of Patent:** **** Dec. 10, 2019**

(54) **ANTENNA**
(71) Applicant: **SHENZHEN ANTOP TECHNOLOGY LIMITED**, Shenzhen (CN)
(72) Inventor: **Ruidian Yang**, Shenzhen (CN)
(73) Assignee: **Shenzhen Antop Technology Limited**, Shenzhen (CN)

D355,416 S 2/1995 McCay et al.
D361,767 S 8/1995 Tinaphong
D363,935 S 11/1995 McGreevy
D426,827 S 6/2000 Tsai Wang
D444,144 S 6/2001 Warner et al.
D467,242 S 12/2002 Warner et al.
D518,819 S 4/2006 Gray
D543,975 S 6/2007 McCown
D610,577 S 2/2010 Jenkins
D611,460 S 3/2010 Chao
D617,319 S 6/2010 Maffetone et al.

(Continued)

(**) Term: **15 Years**
(21) Appl. No.: **29/690,511**
(22) Filed: **May 8, 2019**

Related U.S. Application Data

(62) Division of application No. 29/615,105, filed on Aug. 25, 2017.
(51) **LOC (12) Cl.** **14-03**
(52) **U.S. Cl.**
USPC **D14/230**
(58) **Field of Classification Search**
USPC ... D14/230.1, 203.3, 203.6, 230-238, 238.1, D14/204, 216, 221, 240, 242, 299, 314, D14/343, 496, 509, 497, 498, 500, 506, D14/168-172, 188, 195, 211, 265
CPC H01Q 1/12; H01Q 1/22; H01Q 1/007; H01Q 1/38; H01Q 7/00; H01Q 9/40; H01Q 9/285; H01Q 9/065; H01Q 9/44; H01Q 9/265; H01Q 19/10; H01Q 19/106; H01Q 19/12; H01Q 19/13; H01Q 19/15; H01Q 19/30; H01Q 21/28; H01Q 21/06; H01Q 21/062; H01Q 21/293; G05D 1/02; G05D 1/0234
See application file for complete search history.

(56) **References Cited**
U.S. PATENT DOCUMENTS

D227,785 S 7/1973 Kaysen
D300,531 S 4/1989 Higgins

OTHER PUBLICATIONS

Antop UFO Omni Outdoor Antenna Review, online, post date Aug. 2016, URL: <https://nocable.org/reviews/antop-65-mile-ufo-omni-indoor-outdoor-antenna>, retrieved May 22, 2019.*

Primary Examiner — Jeffrey D Asch
Assistant Examiner — Rebekah A Caruso
(74) *Attorney, Agent, or Firm* — Muncy, Geissler, Olds & Lowe, P.C.

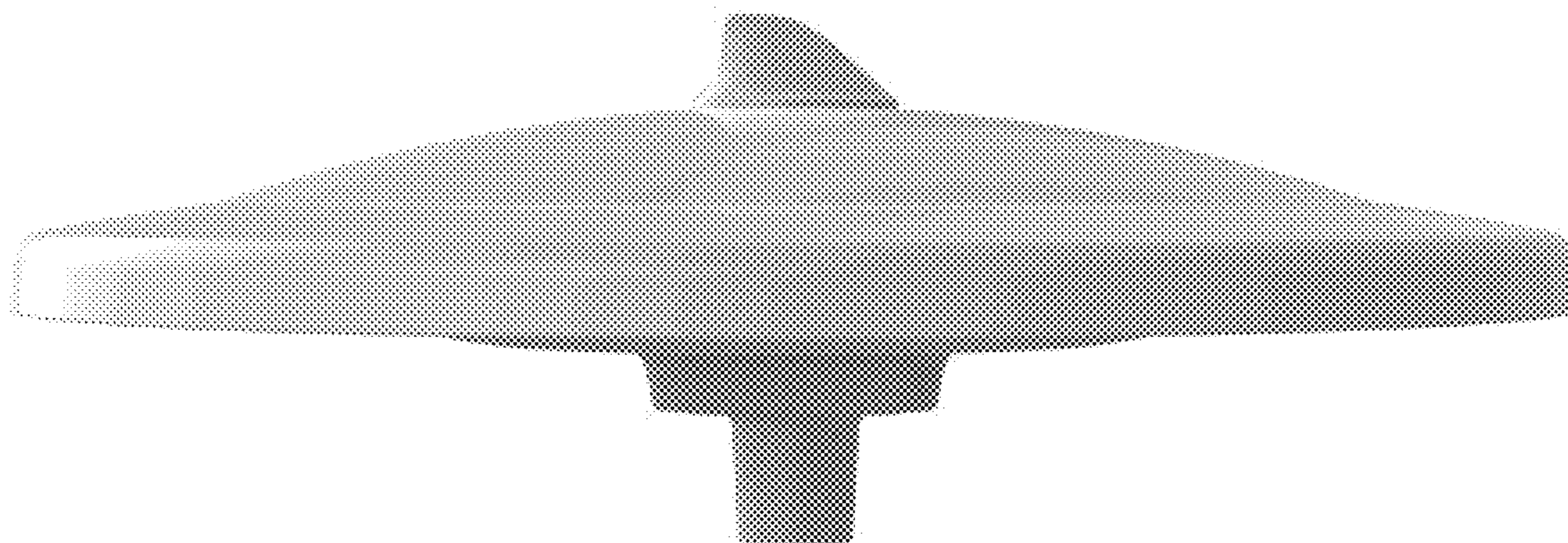
(57) **CLAIM**

The ornamental design for an antenna, as shown and described.

DESCRIPTION

FIG. 1 is a front elevational view of an antenna showing my new design;
FIG. 2 is a rear elevational view thereof;
FIG. 3 is a right side view thereof;
FIG. 4 is a left side view thereof;
FIG. 5 is a top plan view thereof;
FIG. 6 is a bottom plan view thereof;
FIG. 7 is a rear, right, top perspective view thereof;
FIG. 8 is a front, bottom perspective view thereof; and,
FIG. 9 is a rear, left perspective view thereof.

1 Claim, 9 Drawing Sheets



(56)

References Cited

U.S. PATENT DOCUMENTS

D695,725 S	12/2013	Taeger
D698,765 S	2/2014	Bremaud et al.
D772,163 S	11/2016	Kambayashi
D773,443 S	12/2016	Sano
D775,612 S	1/2017	Sano
D791,109 S	7/2017	Wallace et al.
D807,863 S	1/2018	Ploetz et al.
D829,696 S	10/2018	Wallace et al.
2019/0051990 A1	2/2019	Luo et al.

* cited by examiner

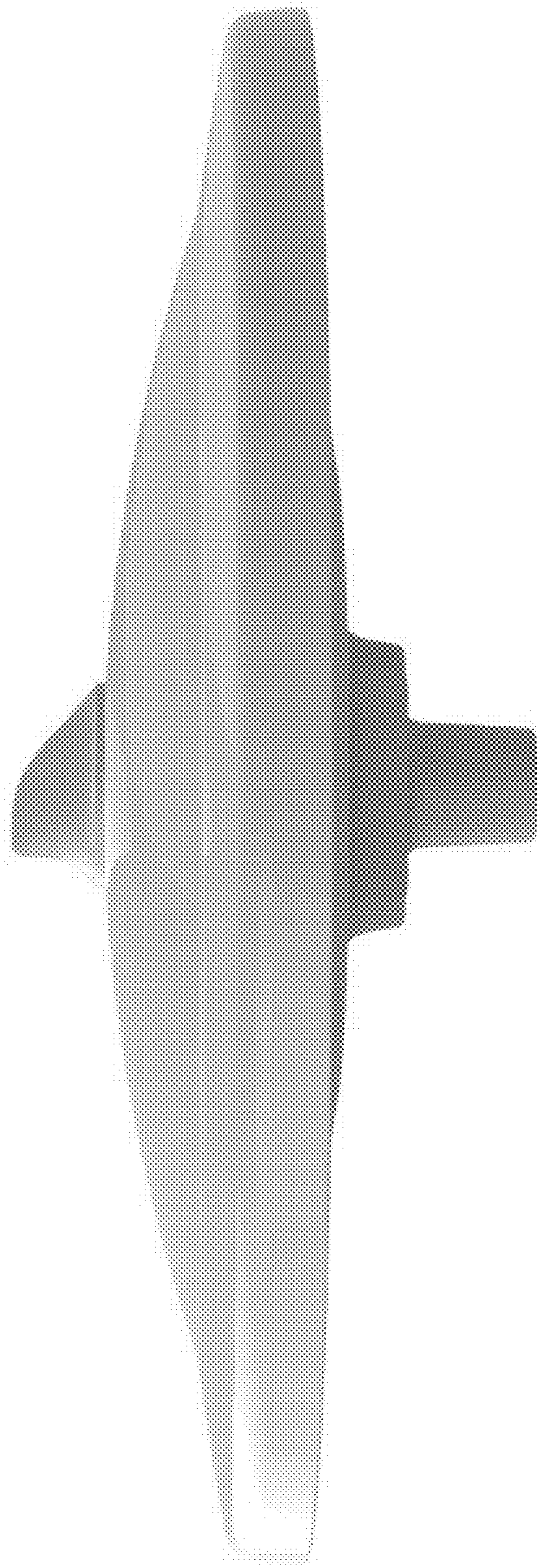


FIG. 1

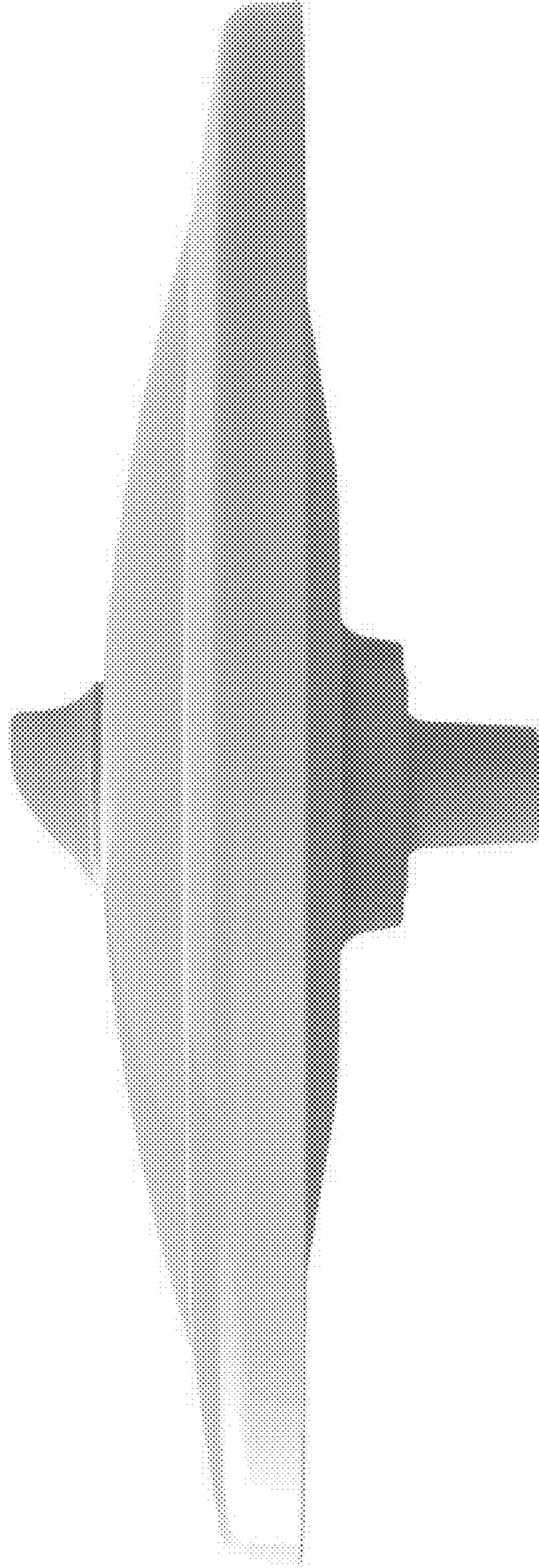


FIG. 2

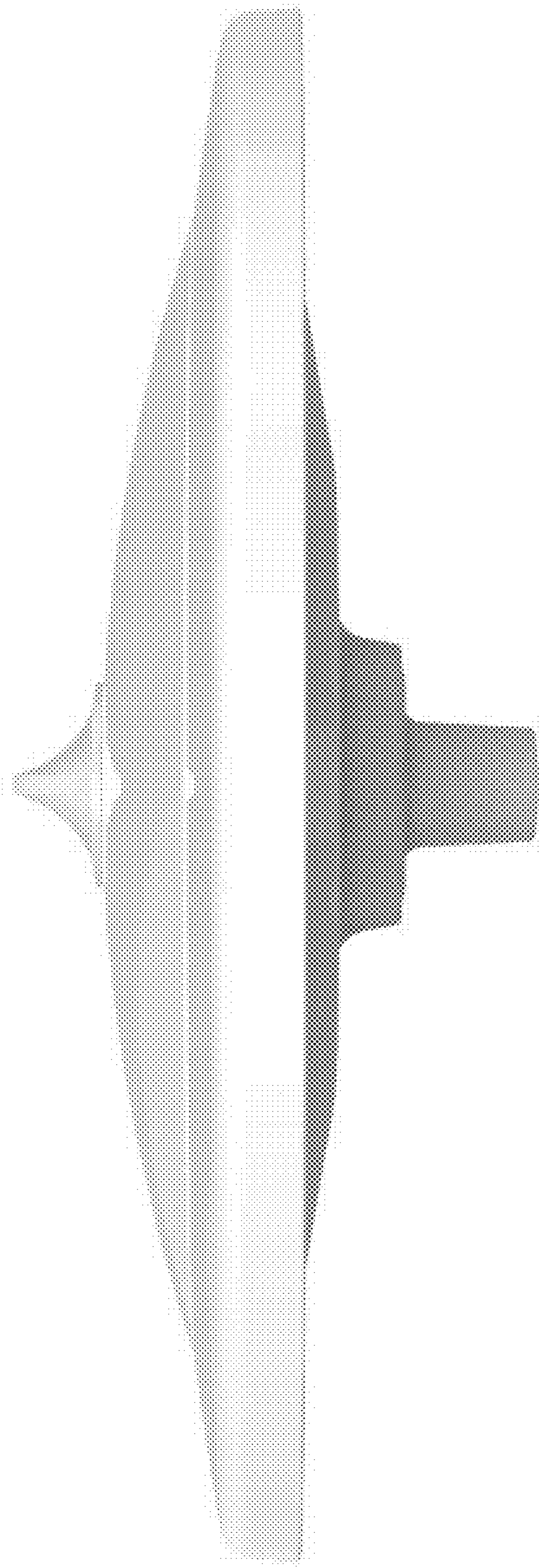


FIG. 3

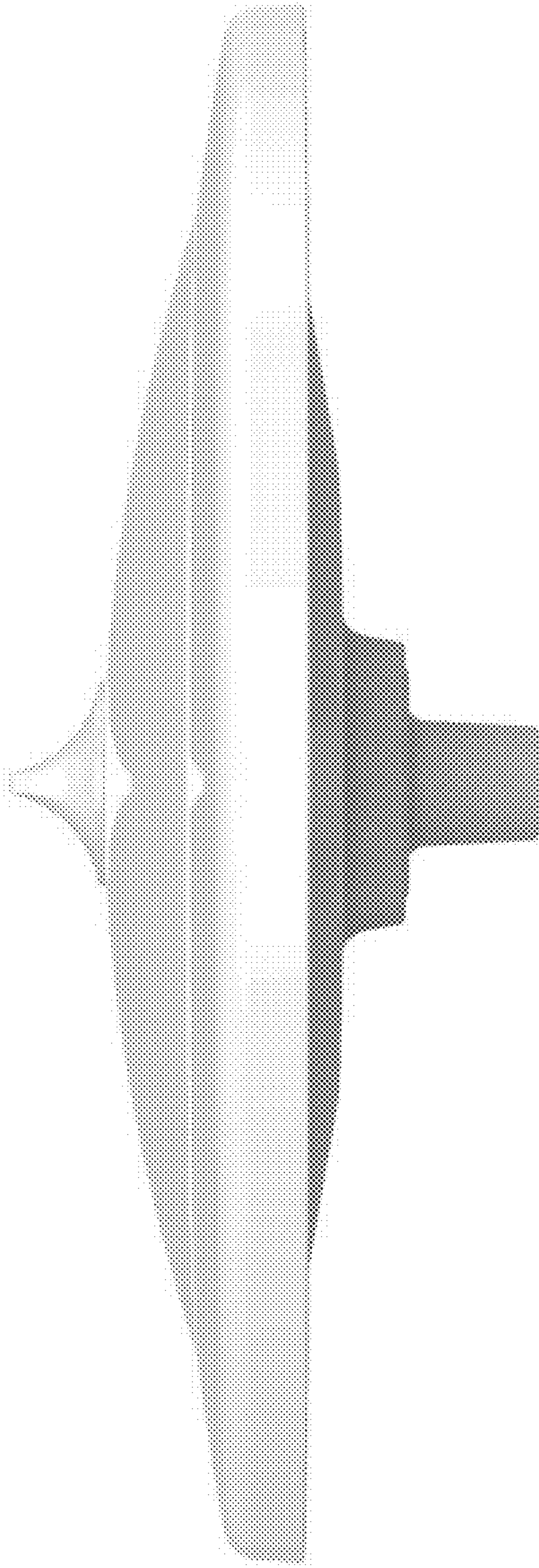


FIG. 4



FIG. 5

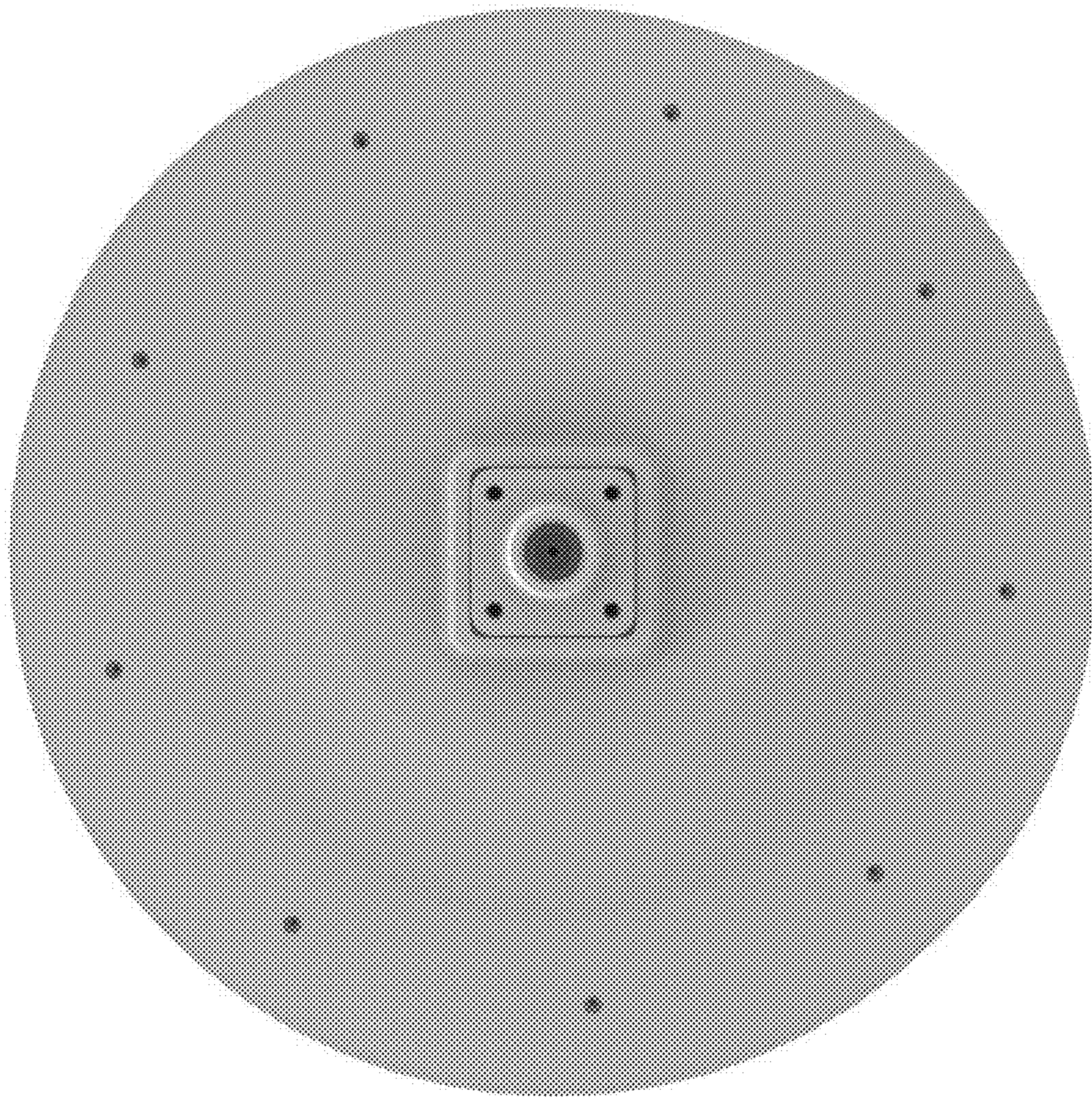


FIG. 6

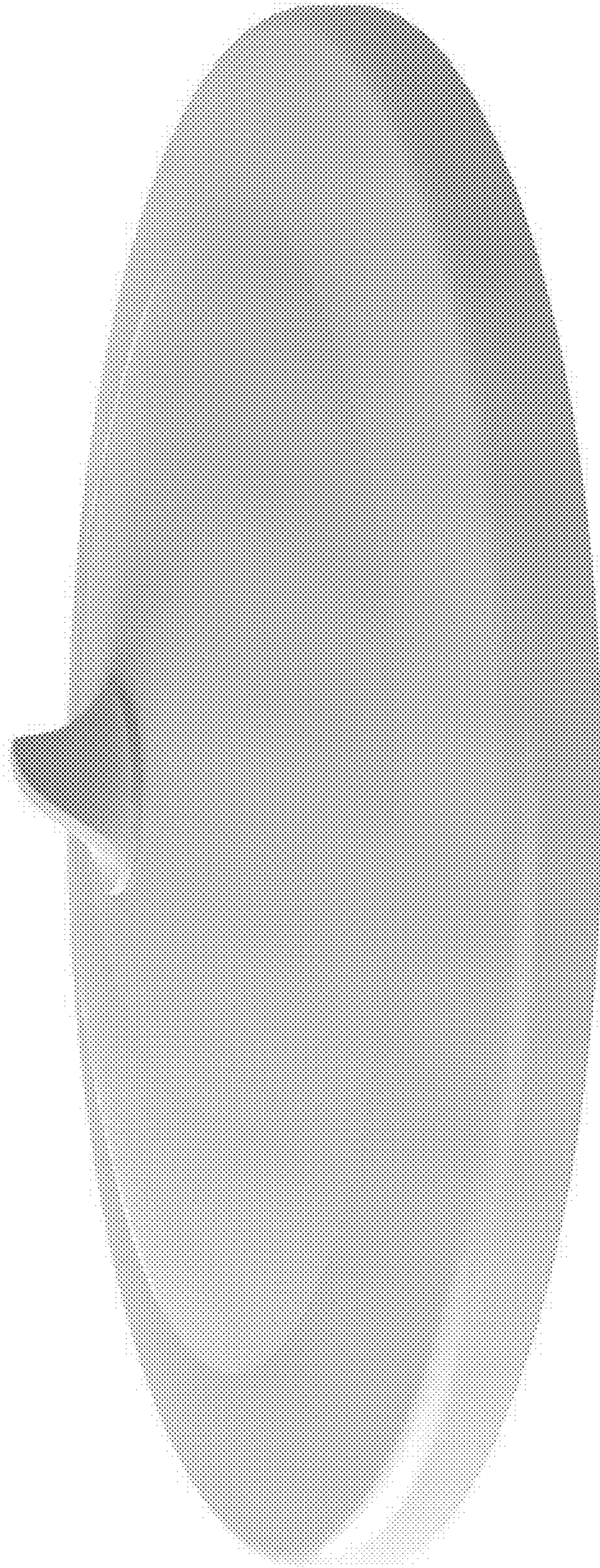


FIG. 7

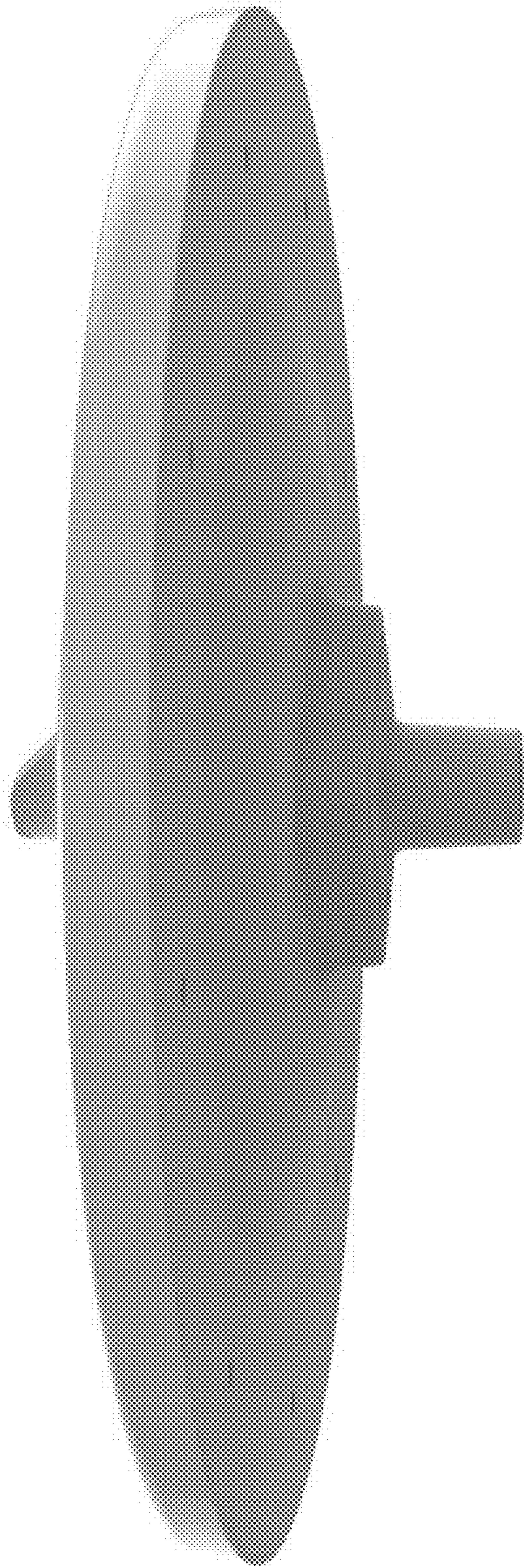


FIG. 8

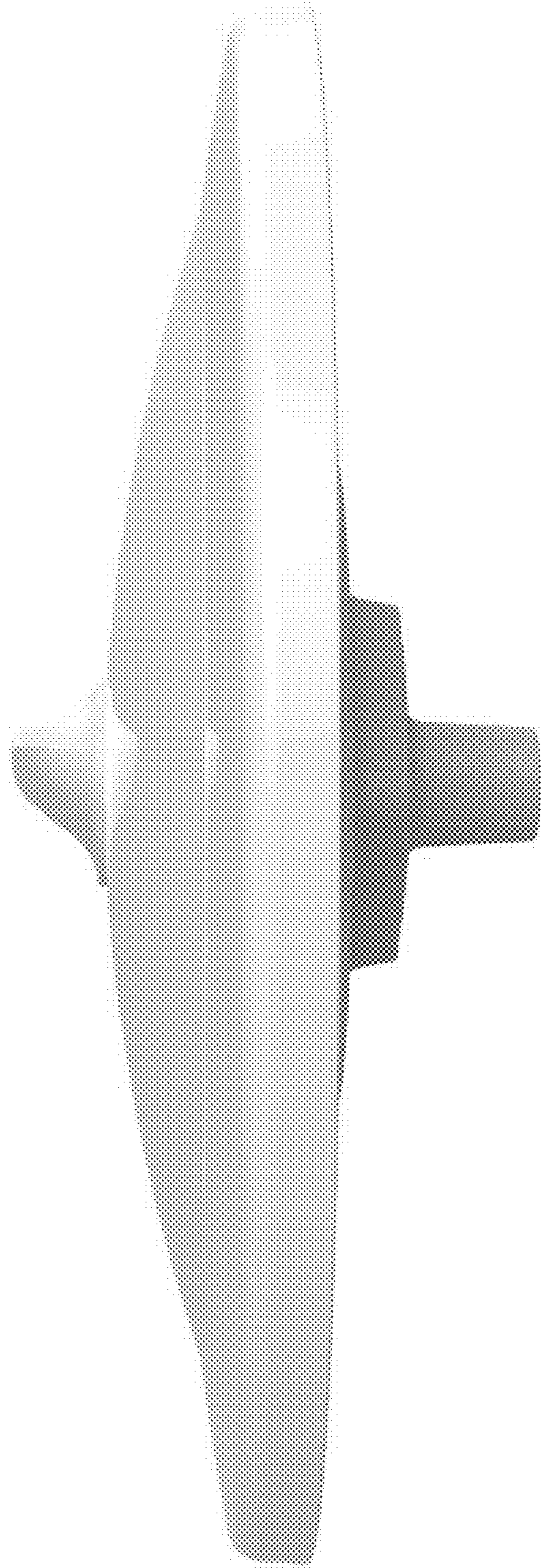


FIG. 9