



US00D869448S

(12) **United States Design Patent** (10) **Patent No.:** **US D869,448 S**
He et al. (45) **Date of Patent:** **** Dec. 10, 2019**

(54) **ANTENNA**

(71) Applicant: **Airgain Incorporated**, San Diego, CA (US)

(72) Inventors: **Ziming He**, Irvine, CA (US); **Xiangjie Bian**, Zhang Jia Gang (CN)

(73) Assignee: **Airgain Incorporated**, San Diego, CA (US)

(**) Term: **15 Years**

(21) Appl. No.: **29/684,787**

(22) Filed: **Mar. 24, 2019**

Related U.S. Application Data

(62) Division of application No. 29/659,334, filed on Aug. 8, 2018, which is a division of application No. 29/609,556, filed on Jun. 30, 2017, now Pat. No. Des. 825,538, which is a division of application No. 29/555,964, filed on Feb. 25, 2016, now Pat. No. Des. 791,108.

(51) **LOC (12) Cl.** **14-03**

(52) **U.S. Cl.**
USPC **D14/230**

(58) **Field of Classification Search**
USPC D14/138, 230, 231, 232, 234, 235, 236, D14/237, 238, 238.1, 250, 299, 358; D13/175, 182
CPC G01R 29/10; G01S 2013/0245; G01S 2013/0254; G01S 2013/0263; G01S 7/4026; G05B 2219/45001; G06K 19/07773; G06K 19/07775; G06K 19/07777; G08B 13/2468; G08B 13/2477; H01Q 1/088

See application file for complete search history.

(56) **References Cited**

U.S. PATENT DOCUMENTS

7,489,278	B2 *	2/2009	Huang	H01Q 9/0421 343/700 MS
D694,738	S *	12/2013	Yang	D14/230
D791,108	S *	7/2017	He	D14/230
D799,453	S *	10/2017	Chang	D14/230
D807,864	S *	1/2018	He	D14/230
D825,538	S *	8/2018	He	D14/230
2005/0259024	A1 *	11/2005	Hung	H01Q 1/36 343/770
2013/0033399	A1 *	2/2013	Huang	H01Q 9/0421 343/700 MS

* cited by examiner

Primary Examiner — Khawaja Anwar

Assistant Examiner — Mojtaba Tehrani

(74) *Attorney, Agent, or Firm* — Clause Eight IPS; Michael Catania

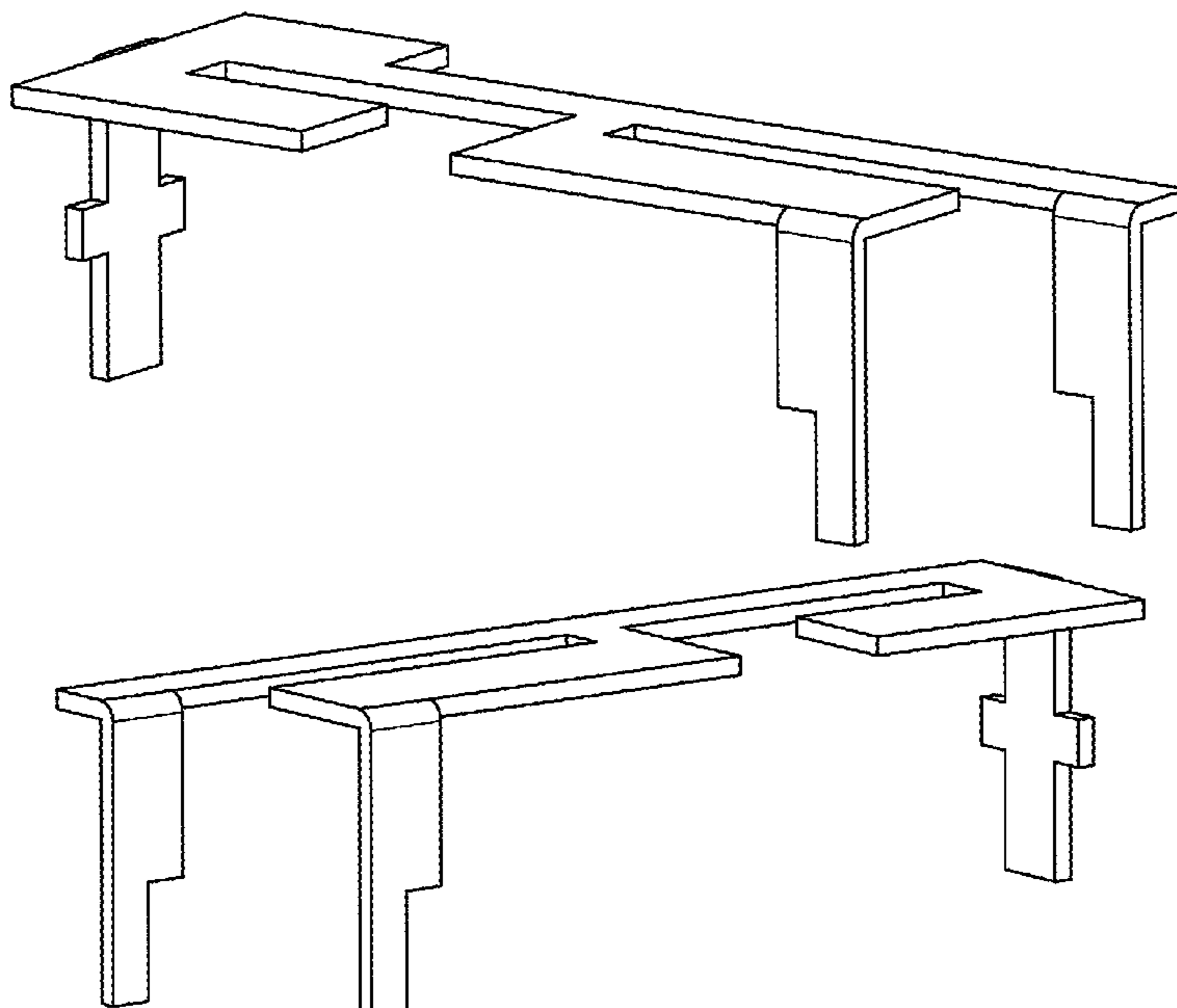
(57) **CLAIM**

The ornamental design for an antenna, as shown and described.

DESCRIPTION

FIG. 1 is a top perspective view of a first embodiment of an antenna, showing our new design; FIG. 2 is a top plan view thereof; FIG. 3 is a front elevation view thereof; FIG. 4 is a side elevation view thereof; FIG. 5 is a top perspective view of a second embodiment of an antenna, showing our new design; FIG. 6 is a top plan view thereof; FIG. 7 is a front elevation view thereof; and, FIG. 8 is a side elevation view thereof.

1 Claim, 8 Drawing Sheets



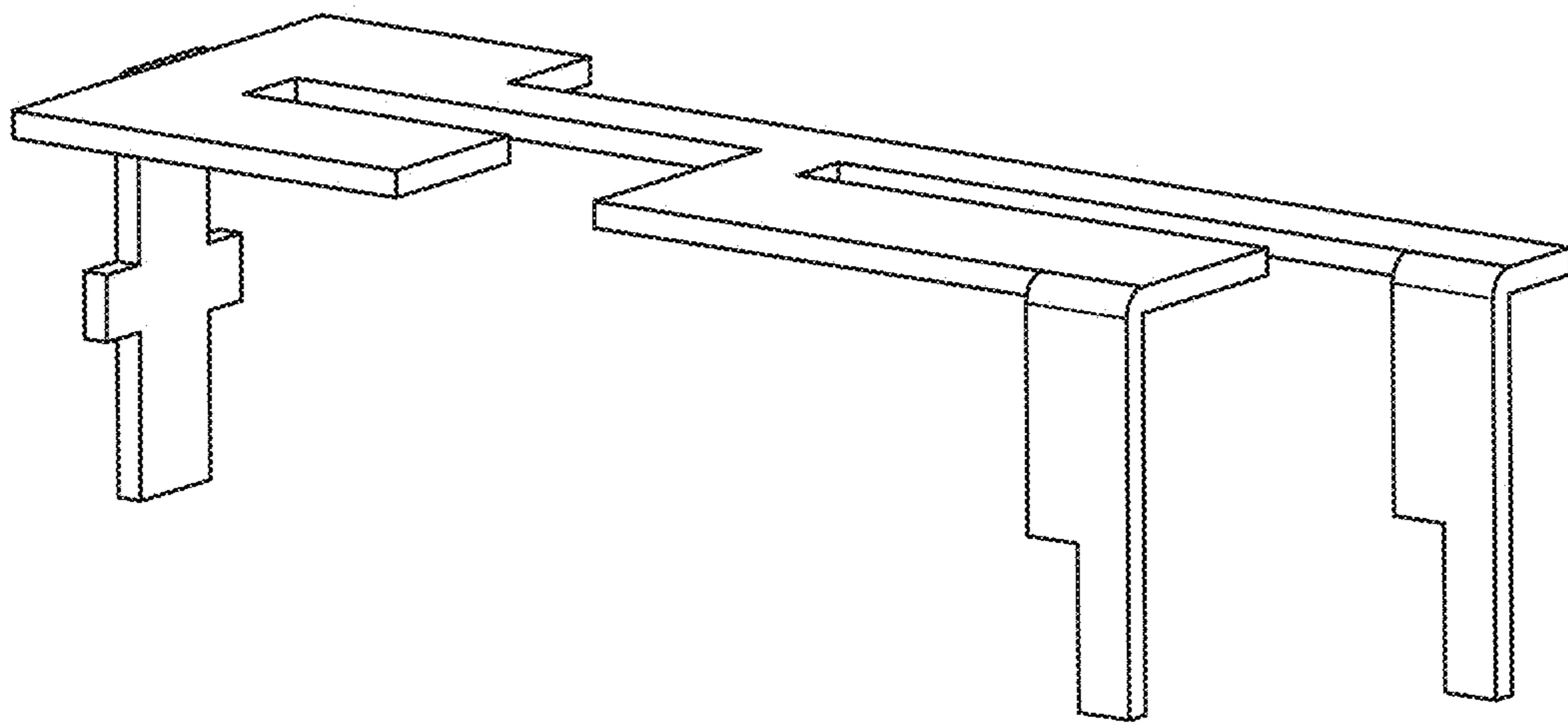


FIG. 1

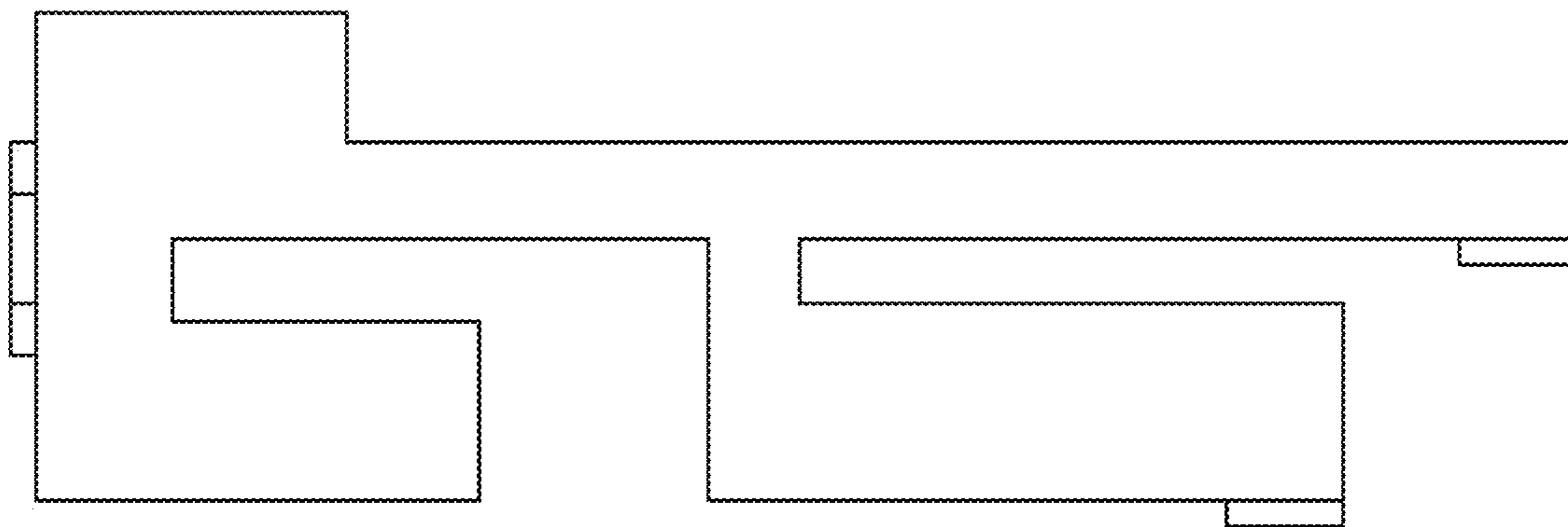


FIG. 2

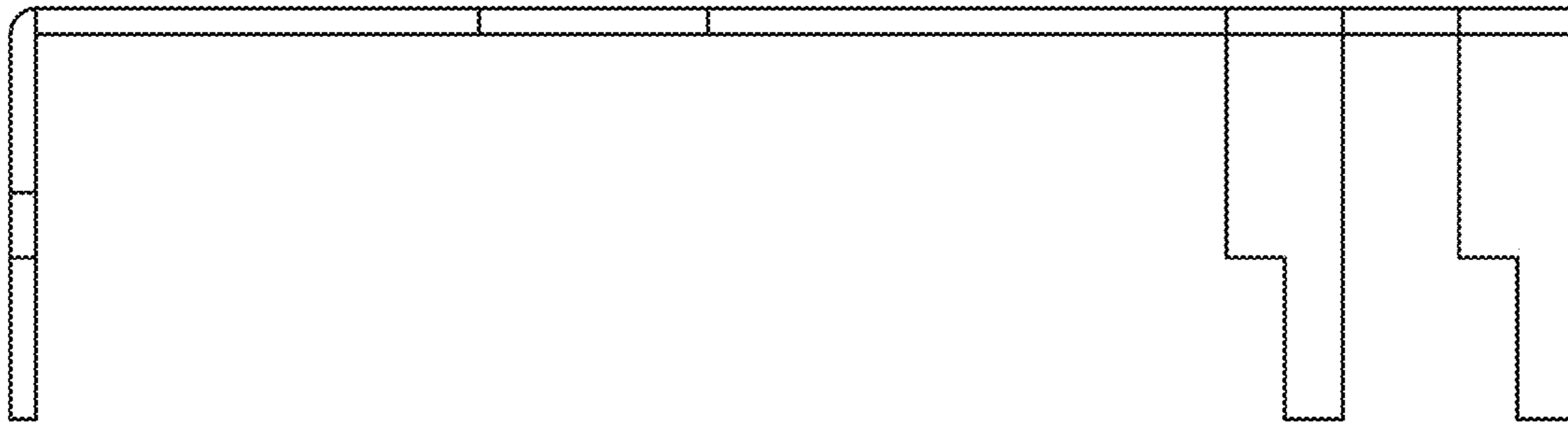


FIG. 3

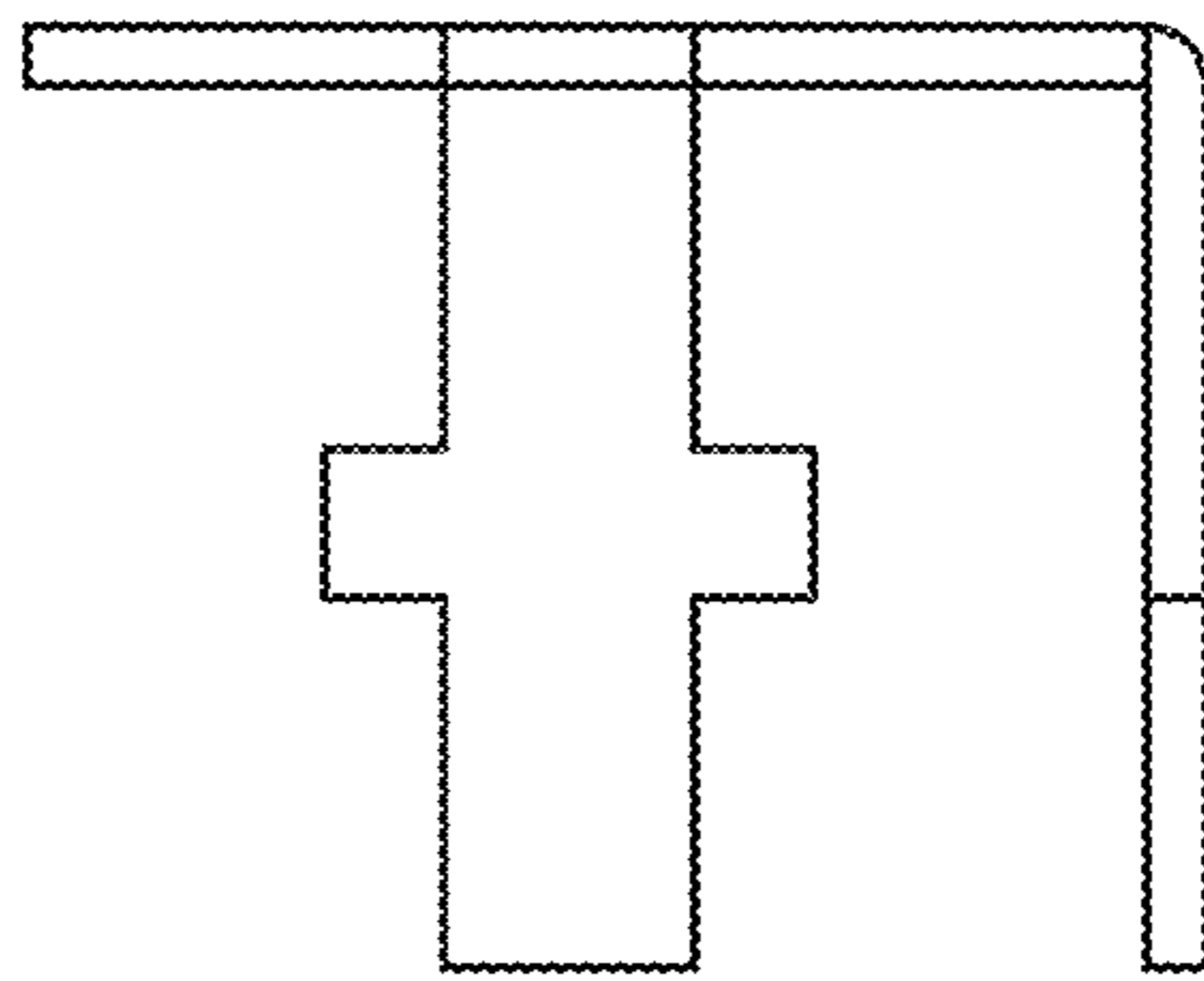


FIG. 4

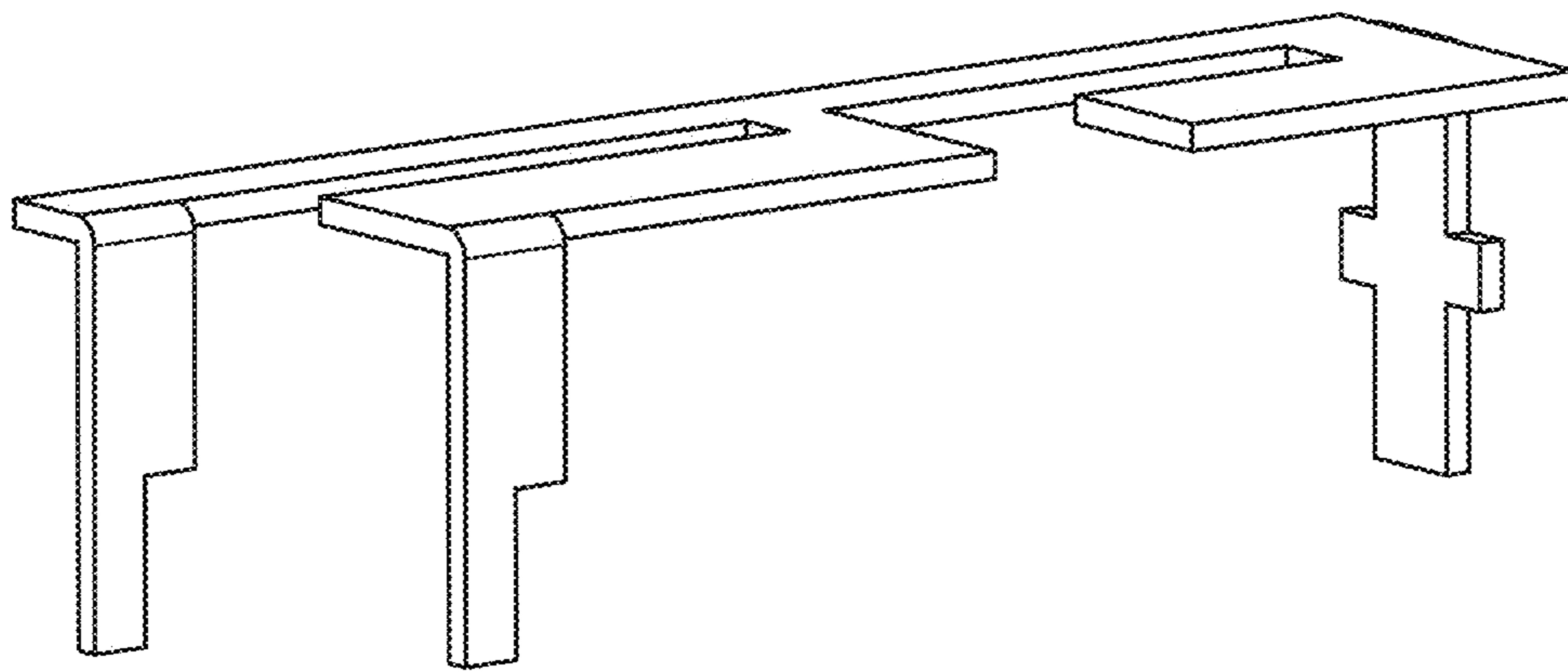


FIG. 5

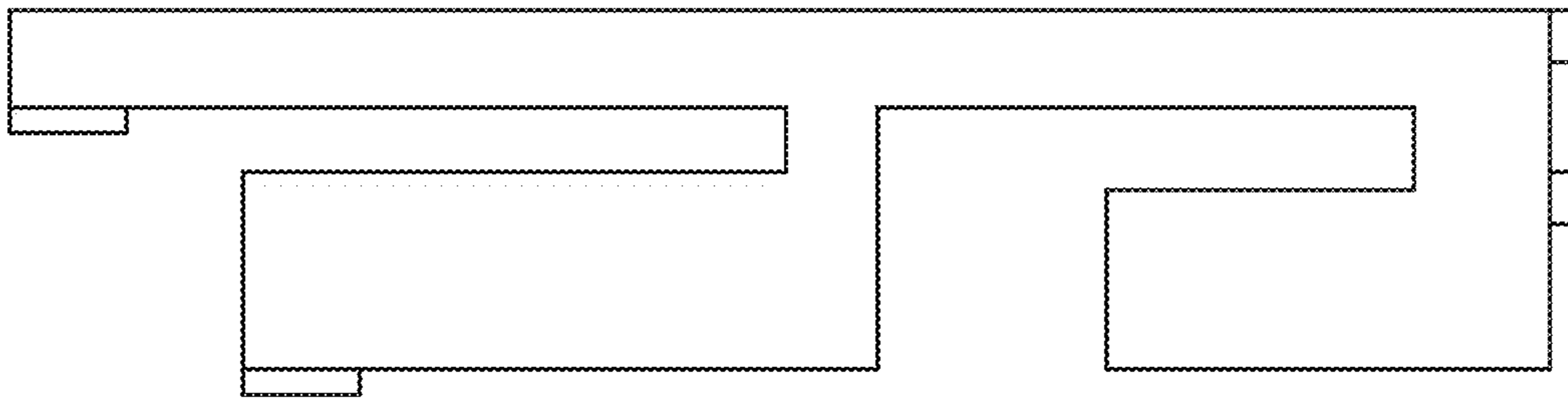


FIG. 6

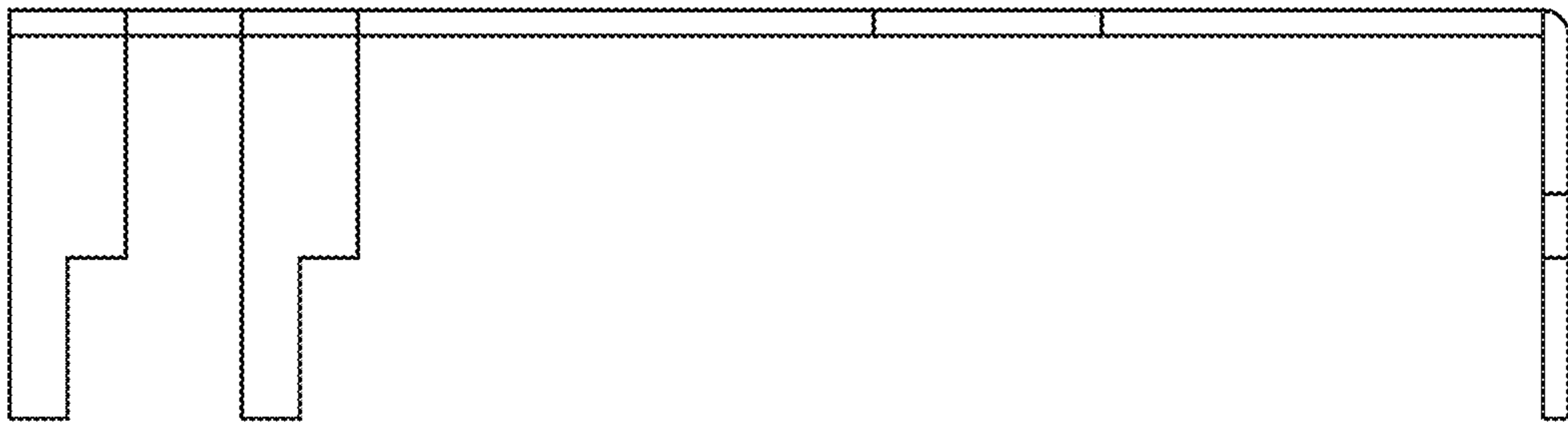


FIG. 7

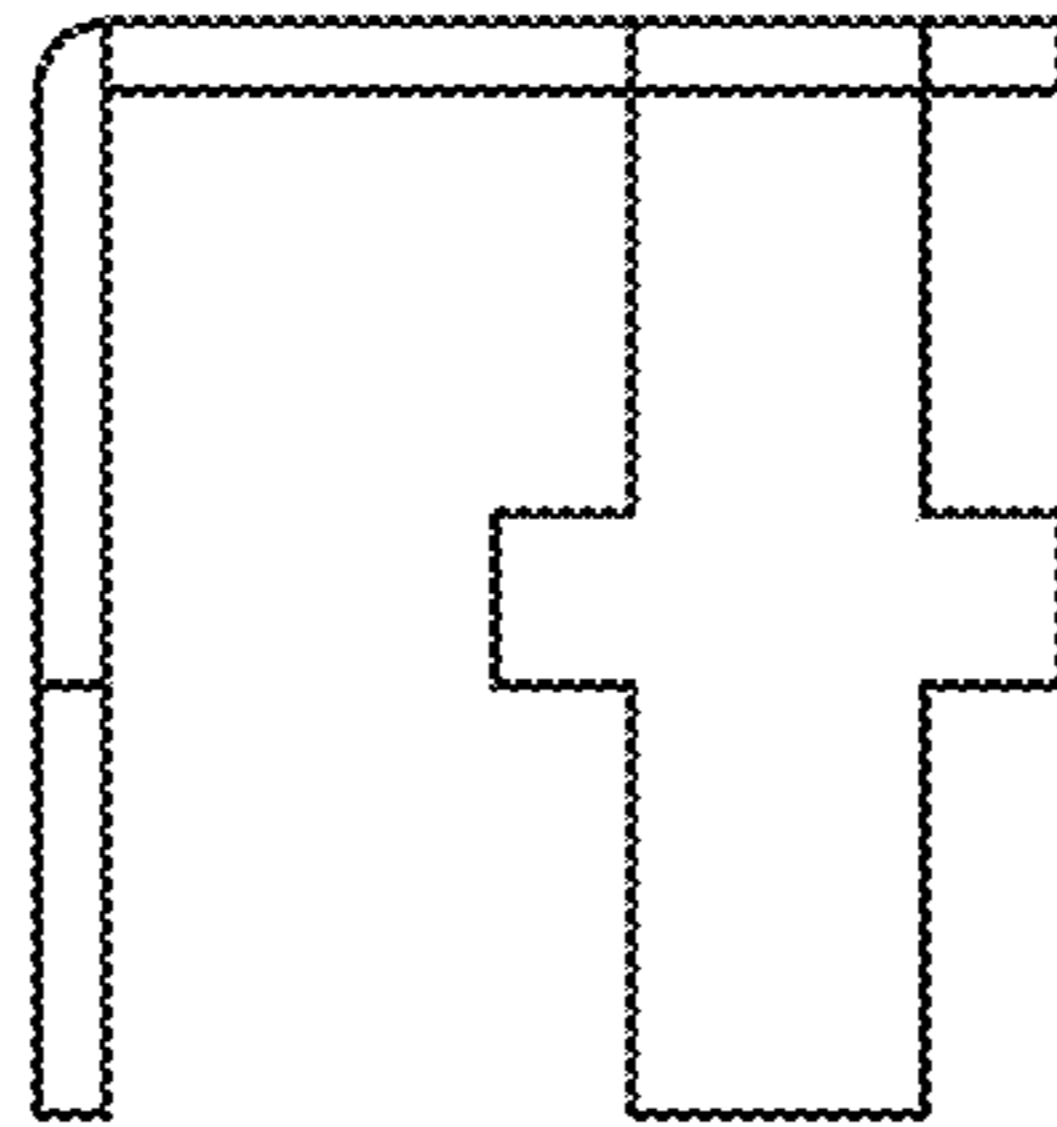


FIG. 8