

US00D869446S

(12) **United States Design Patent**
Bryant

(10) **Patent No.:** **US D869,446 S**

(45) **Date of Patent:** **** Dec. 10, 2019**

(54) **MICROPHONE CONTROL HOUSING**

(71) Applicant: **Samson Technologies Corp.**,
Hauppauge, NY (US)

(72) Inventor: **Douglas P. Bryant**, Centerport, NY
(US)

(73) Assignee: **SAMSON TECHNOLOGIES CORP.**,
Hicksville, NY (US)

(**) Term: **15 Years**

(21) Appl. No.: **29/636,237**

(22) Filed: **Feb. 7, 2018**

(51) **LOC (12) Cl.** **14-01**

(52) **U.S. Cl.**
USPC **D14/225**

(58) **Field of Classification Search**

USPC D14/221, 225, 226, 227, 228, 229, 150,
D14/154, 155, 158, 160, 172

CPC H04R 19/04; H04R 19/00; H04R 1/406;
H04R 1/08; H04R 1/04; H04R 1/326;
H04R 29/004; H04R 2410/00; H04R
2410/01; H04R 2410/03; H04R 2410/05;
H04R 2410/07; H04R 2420/07; H04R
17/02

See application file for complete search history.

(56) **References Cited**

U.S. PATENT DOCUMENTS

D550,616 S *	9/2007	Dayan	D13/110
D619,118 S *	7/2010	Joseph	D14/172
D635,264 S *	3/2011	Dubs	D24/174
D667,382 S *	9/2012	Cosentino	D13/168
D681,610 S *	5/2013	Twina	H01Q 1/084
				D14/137
D688,301 S *	8/2013	Ando	D17/20
D719,553 S *	12/2014	Noto	D14/226
D747,695 S *	1/2016	Breines	D14/155
D809,462 S *	2/2018	Mizrahi	D13/144

OTHER PUBLICATIONS

Samson SWSATXHM60, posted © 2018 [online], retrieved Dec. 17, 2018, retrieved from internet, <<https://www.fullcompass.com/prod/551877-samson-swsatxhm60-airline-awx-wind-wireless-mic-system>>.*

Samson Airline AWX Wind Instrument Wireless System, posted Oct. 22, 2017 [online], retrieved Dec. 17, 2018, retrieved from internet, <<https://www.americanmusical.com/Item--i-SAM-SWSATXHM60-LIST>>.*

Samson AirLine AWX Wind Instrument Wireless Horn Microphone+Headphones+Throne, posted Jan. 10, 2018 [online], retrieved Dec. 17, 2018, retrieved from internet, <<https://www.amazon.com/AirLine-Instrument-Wireless-Microphone-Headphones/dp/B078XS4YHS>>.*

* cited by examiner

Primary Examiner — Barbara Fox

Assistant Examiner — Messina L Smith

(74) *Attorney, Agent, or Firm* — Katten Muchin
Rosenman LLP

(57) **CLAIM**

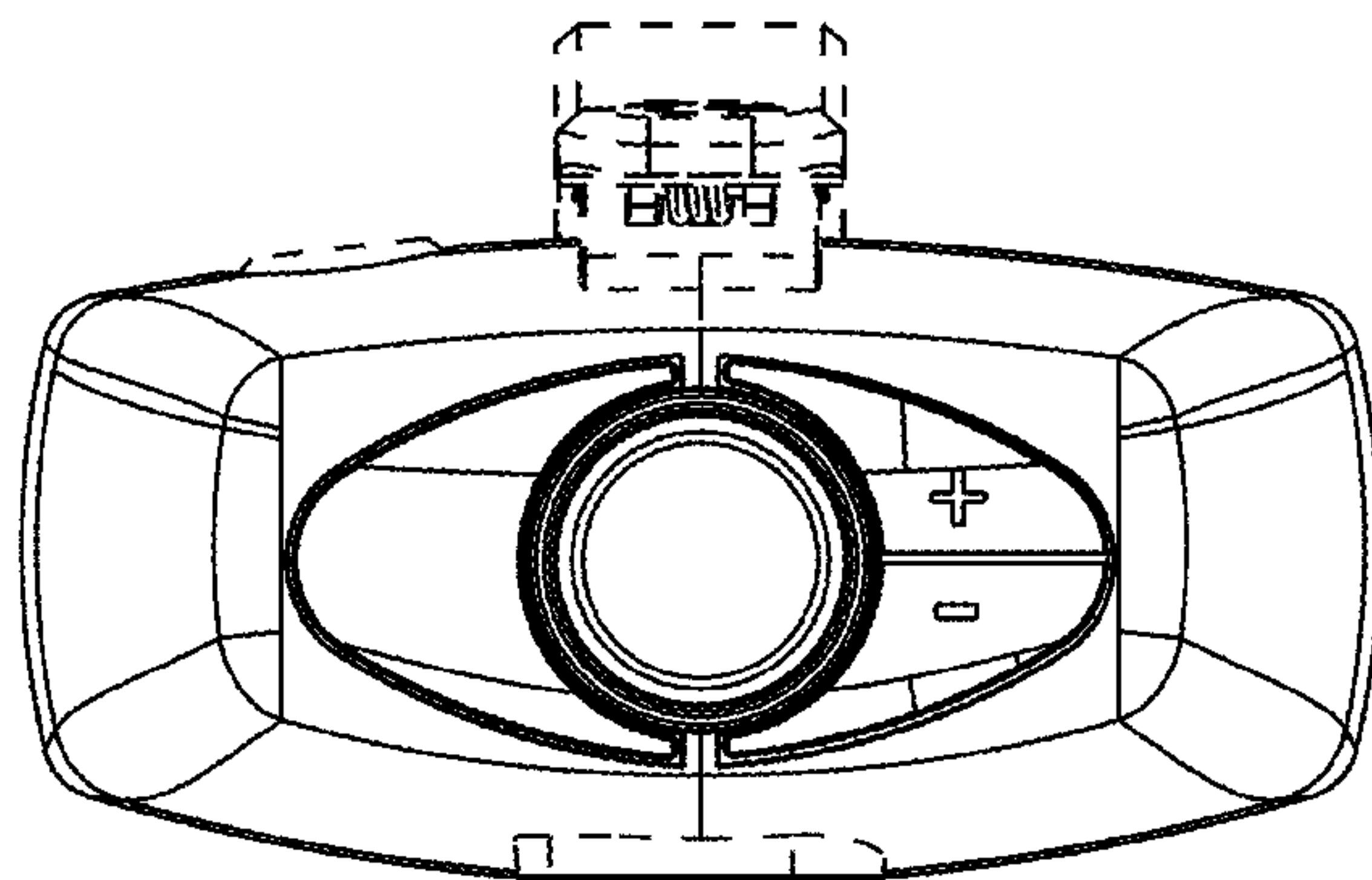
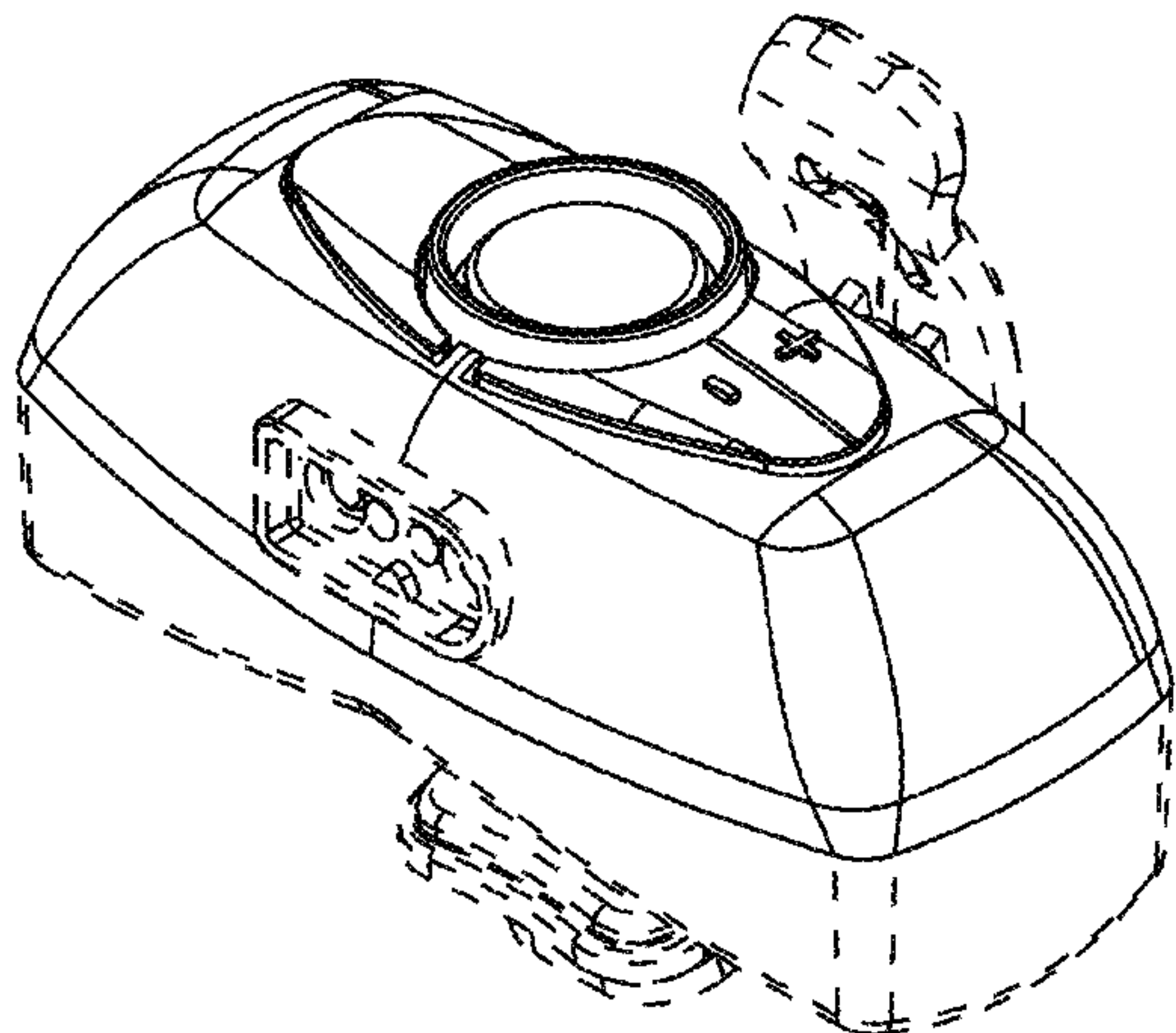
The ornamental design for a microphone control housing, as shown and described.

DESCRIPTION

FIG. 1 is a perspective view of a microphone control housing, showing the new design, FIG. 2 is a front view thereof, FIG. 3 is a rear view thereof, FIG. 4 is a right-side view thereof, FIG. 5 is a left-side view thereof, FIG. 6 is a top view thereof; and, FIG. 7 is a bottom view thereof.

The broken line showing of the clip and the rear housing of the microphone control housing forms no part of the claimed design.

1 Claim, 7 Drawing Sheets



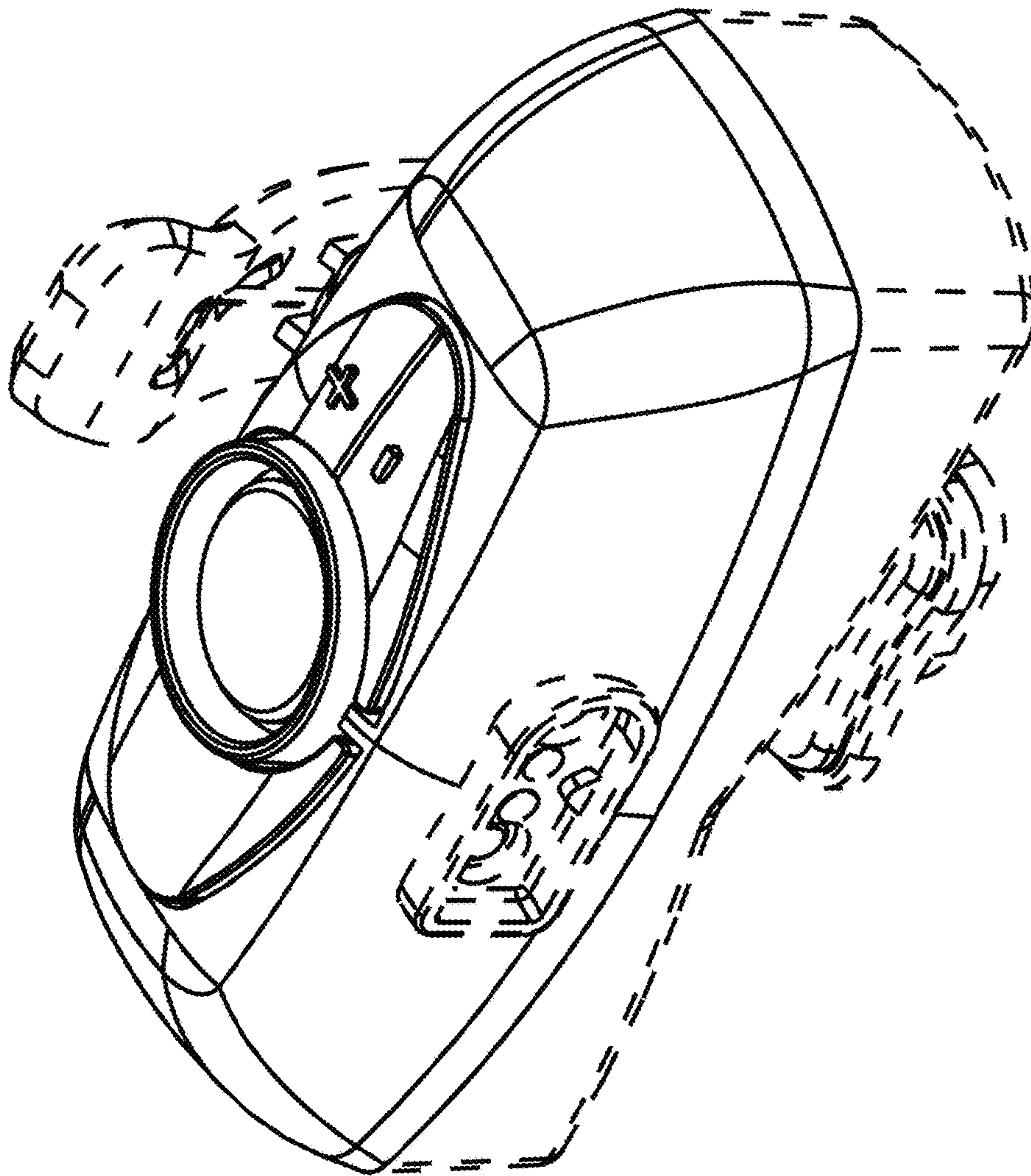


FIG. 1

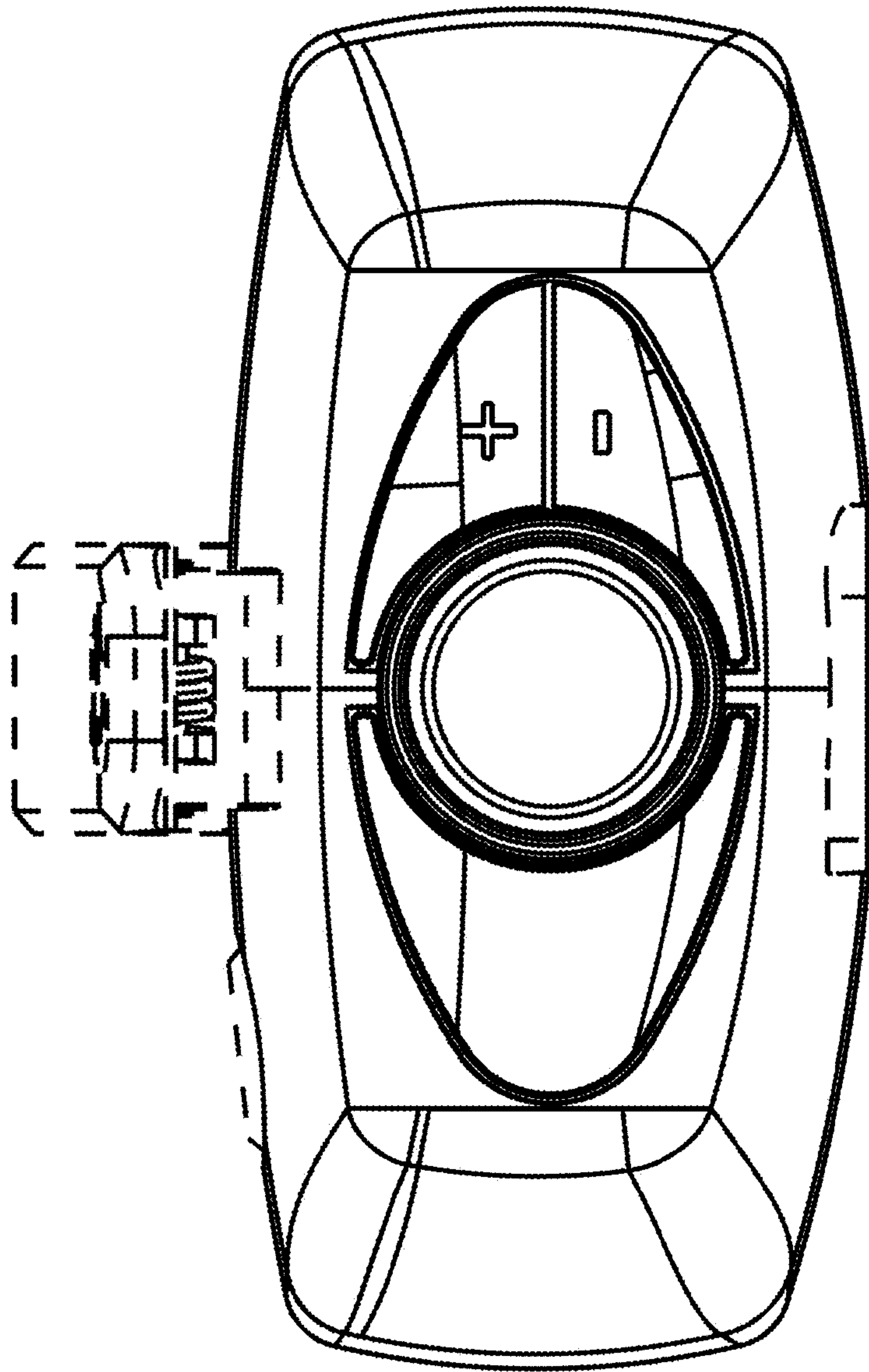


FIG. 2

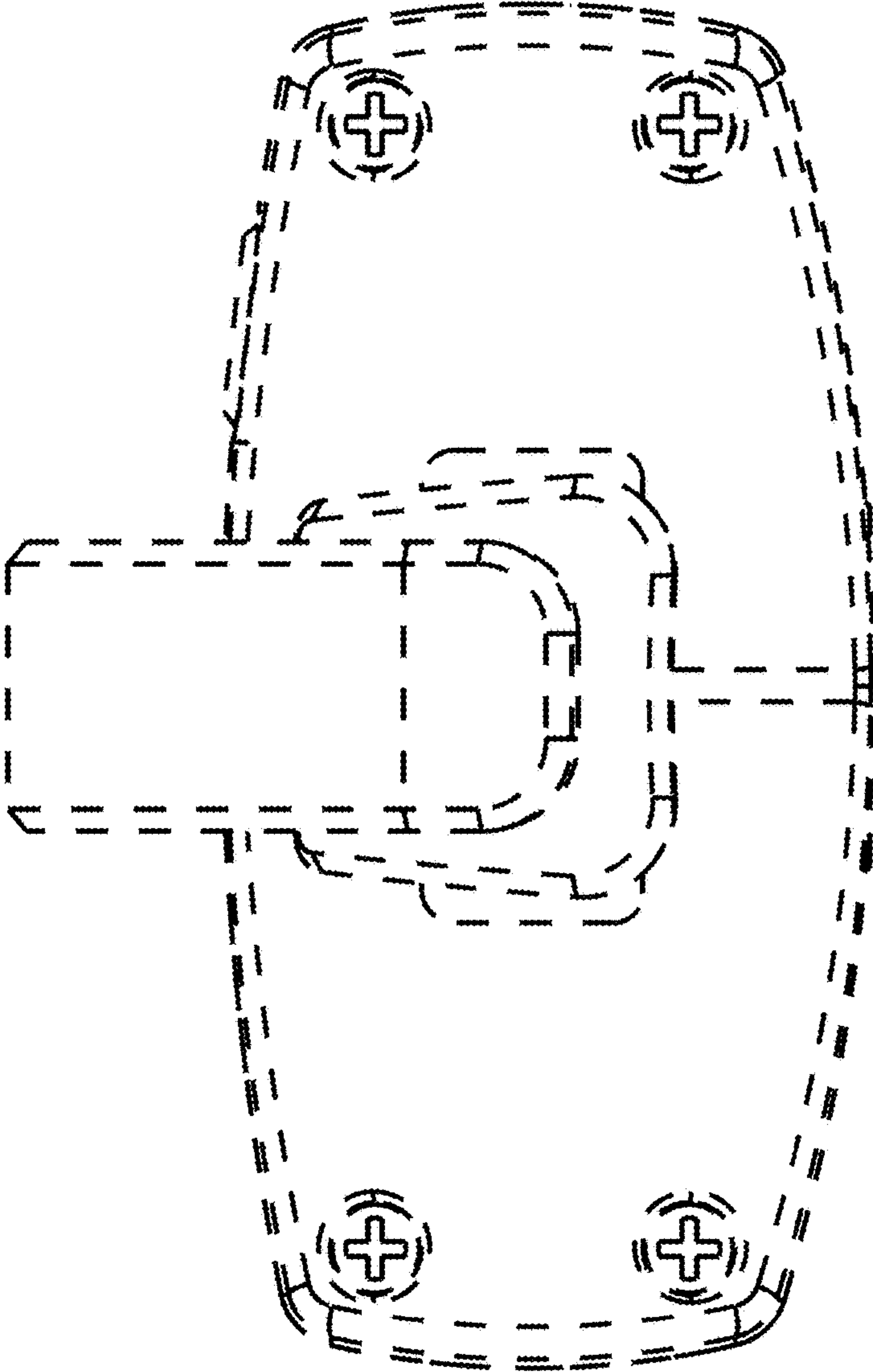


FIG. 3

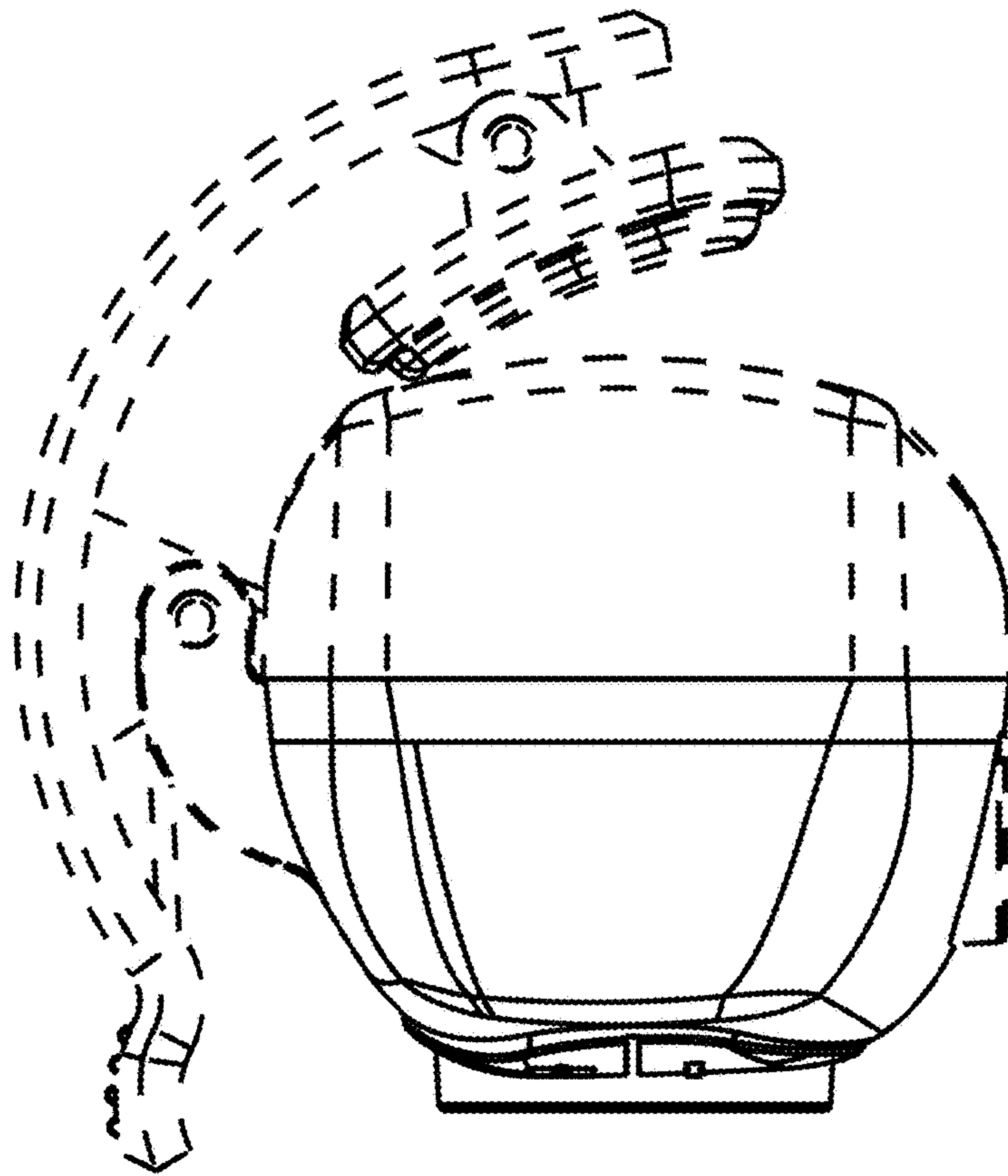


FIG. 4

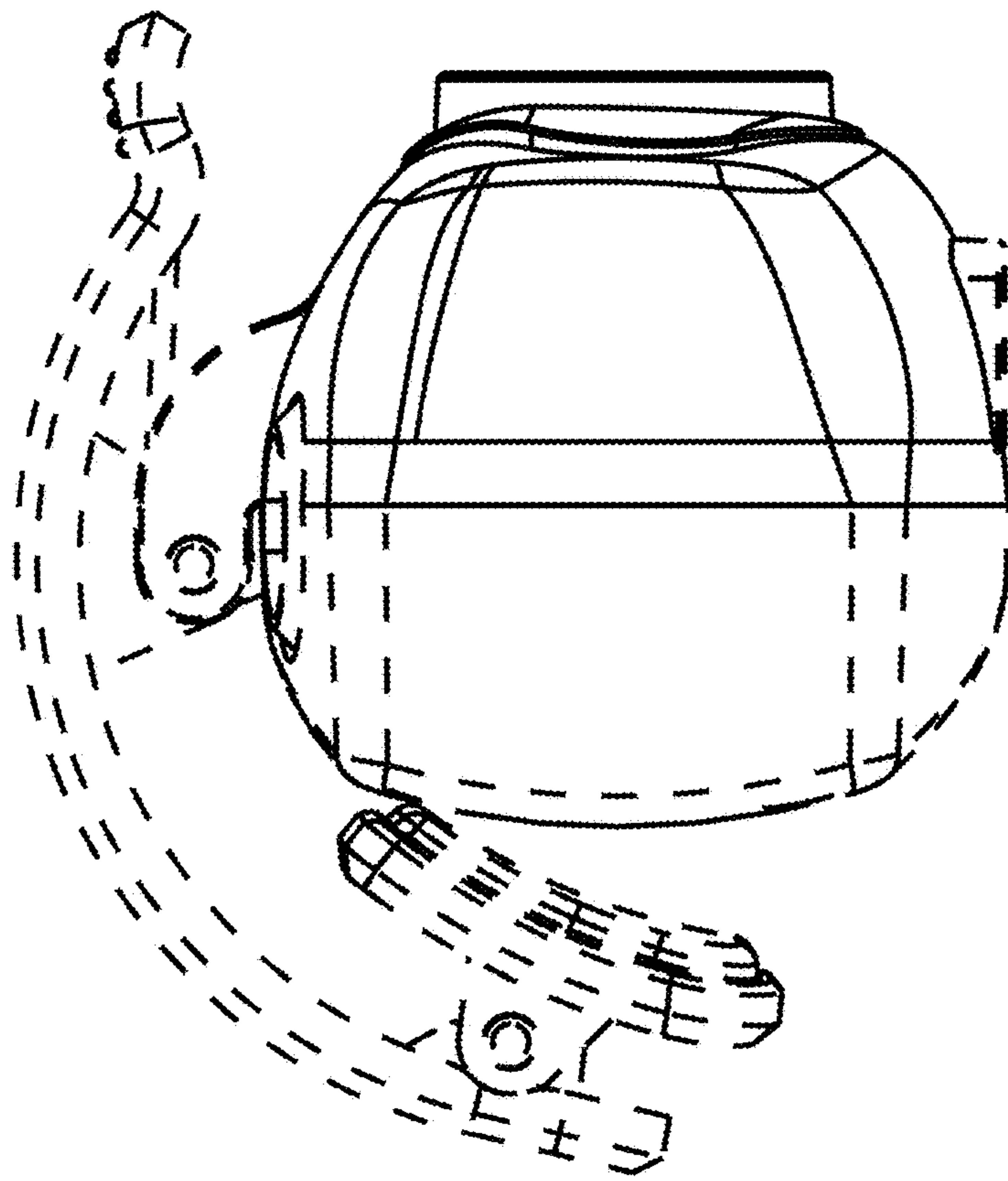


FIG. 5

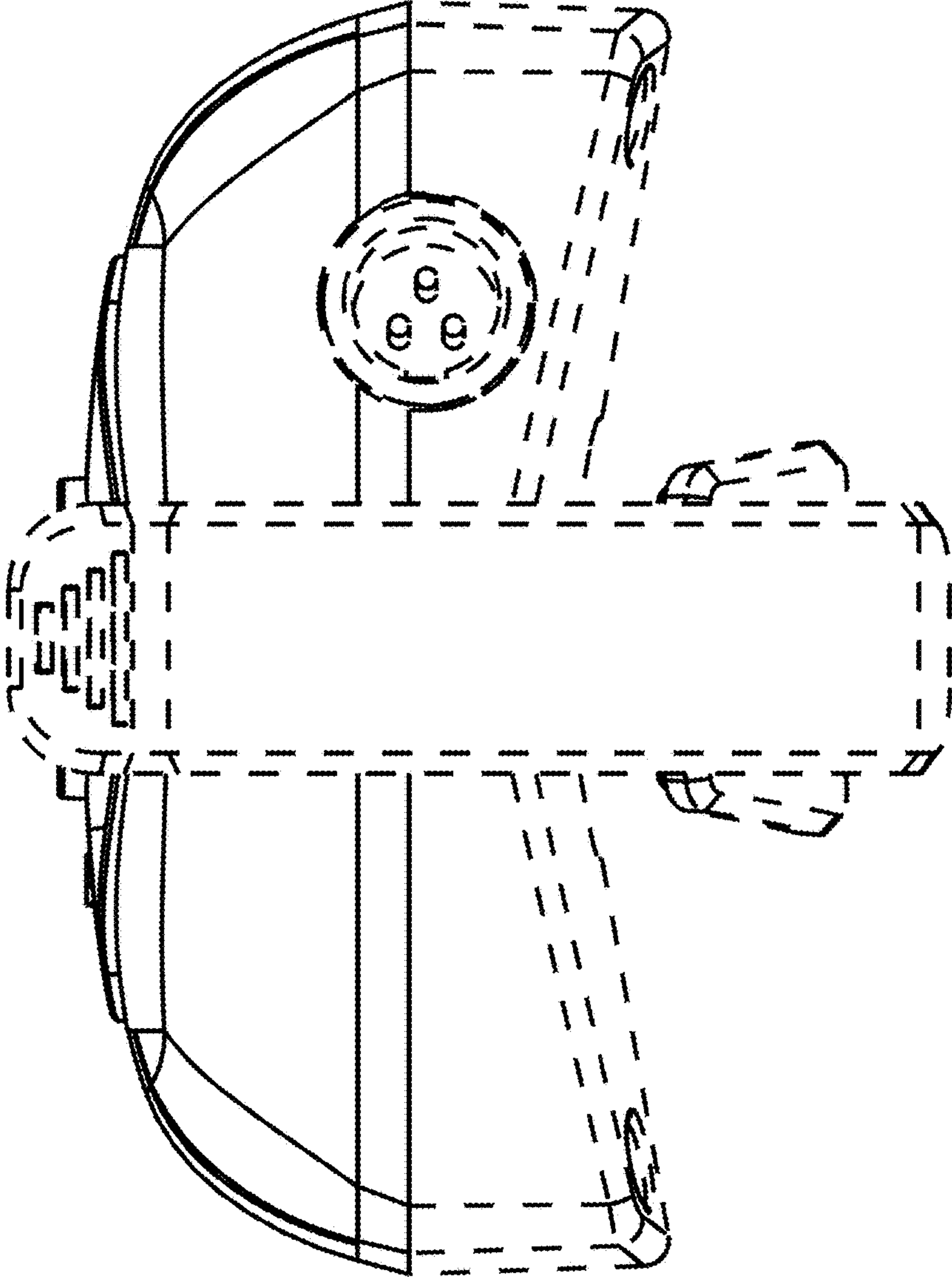


FIG. 6

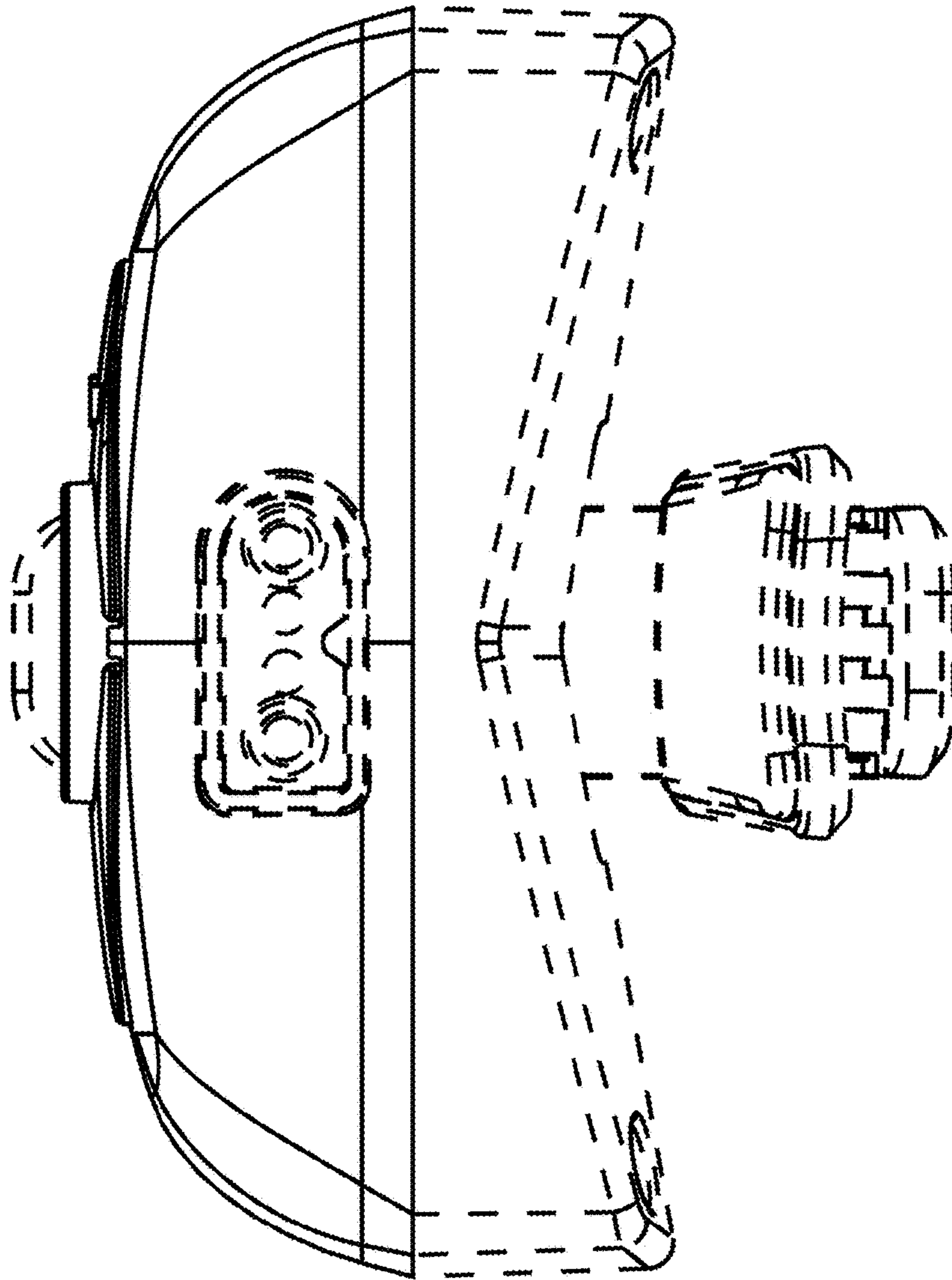


FIG. 7