



US00D869445S

(12) **United States Design Patent**  
**Hu**

(10) **Patent No.:** **US D869,445 S**

(45) **Date of Patent:** **\*\* Dec. 10, 2019**

(54) **EARPHONE**

(71) Applicant: **SHENZHEN QIANHAI PATUOXUN NETWORK AND TECHNOLOGY CO., LTD**, Shenzhen (CN)

(72) Inventor: **Zaihui Hu**, Shenzhen (CN)

(73) Assignee: **SHENZHEN QIANHAI PATUOXUN NETWORK AND TECHNOLOGY CO., LTD**, Shenzhen (CN)

(\*\*) Term: **15 Years**

(21) Appl. No.: **29/692,138**

(22) Filed: **May 22, 2019**

(51) **LOC (12) Cl.** ..... **14-01**

(52) **U.S. Cl.**  
USPC ..... **D14/223**

(58) **Field of Classification Search**  
USPC ..... D14/223, 205; 181/129, 130, 135;  
379/430, 431; 381/380, 381, 374, 370;  
455/90.3, 575.1, 569.1; D24/174;  
128/864, 865, 866

CPC ..... H04R 1/10; H04R 25/00; H04R 1/1016;  
H04R 5/033; H04R 5/0335; H04R 1/1041

See application file for complete search history.

(56) **References Cited**

**U.S. PATENT DOCUMENTS**

- 3,527,902 A \* 9/1970 Vanliempd ..... H04R 1/38  
381/355
- 4,646,872 A \* 3/1987 Kamon ..... H04R 1/225  
181/129
- D302,819 S \* 8/1989 Kubota ..... D14/228
- 4,972,492 A \* 11/1990 Tanaka ..... H04R 1/1016  
181/130
- 4,981,194 A \* 1/1991 Kamon ..... H04R 1/08  
181/129
- D318,864 S \* 8/1991 Daido ..... D14/205

- D331,061 S \* 11/1992 Hyohgo ..... D14/223
- D340,932 S \* 11/1993 Yan ..... D14/249
- D353,379 S \* 12/1994 Nakamura ..... D14/223
- D357,921 S \* 5/1995 Ming-Chin ..... D14/223
- 5,742,697 A \* 4/1998 Ching-Chung ..... H04R 1/083  
381/355
- D448,359 S \* 9/2001 Do ..... D14/223
- D469,753 S \* 2/2003 Andre ..... D14/205
- 6,574,345 B1 \* 6/2003 Huang ..... H04R 1/1016  
379/430
- D499,397 S \* 12/2004 Hlas ..... D14/223
- D515,070 S \* 2/2006 Andre ..... D14/205
- D541,420 S \* 4/2007 Darbut ..... D24/174
- D555,152 S \* 11/2007 Wang ..... D14/223
- D557,689 S \* 12/2007 Huang ..... D14/223

(Continued)

**FOREIGN PATENT DOCUMENTS**

- CN 305188208 \* 5/2019
- EM 005844487-0001 3/2019

*Primary Examiner* — Paula Allen Greene

(74) *Attorney, Agent, or Firm* — JCIP Global Inc.

(57) **CLAIM**

The ornamental design for an earphone, as shown and described.

**DESCRIPTION**

FIG. 1 is a perspective view of an earphone showing my new design;

FIG. 2 is another perspective view thereof;

FIG. 3 is a front view thereof;

FIG. 4 is a rear view thereof;

FIG. 5 is a left side view thereof;

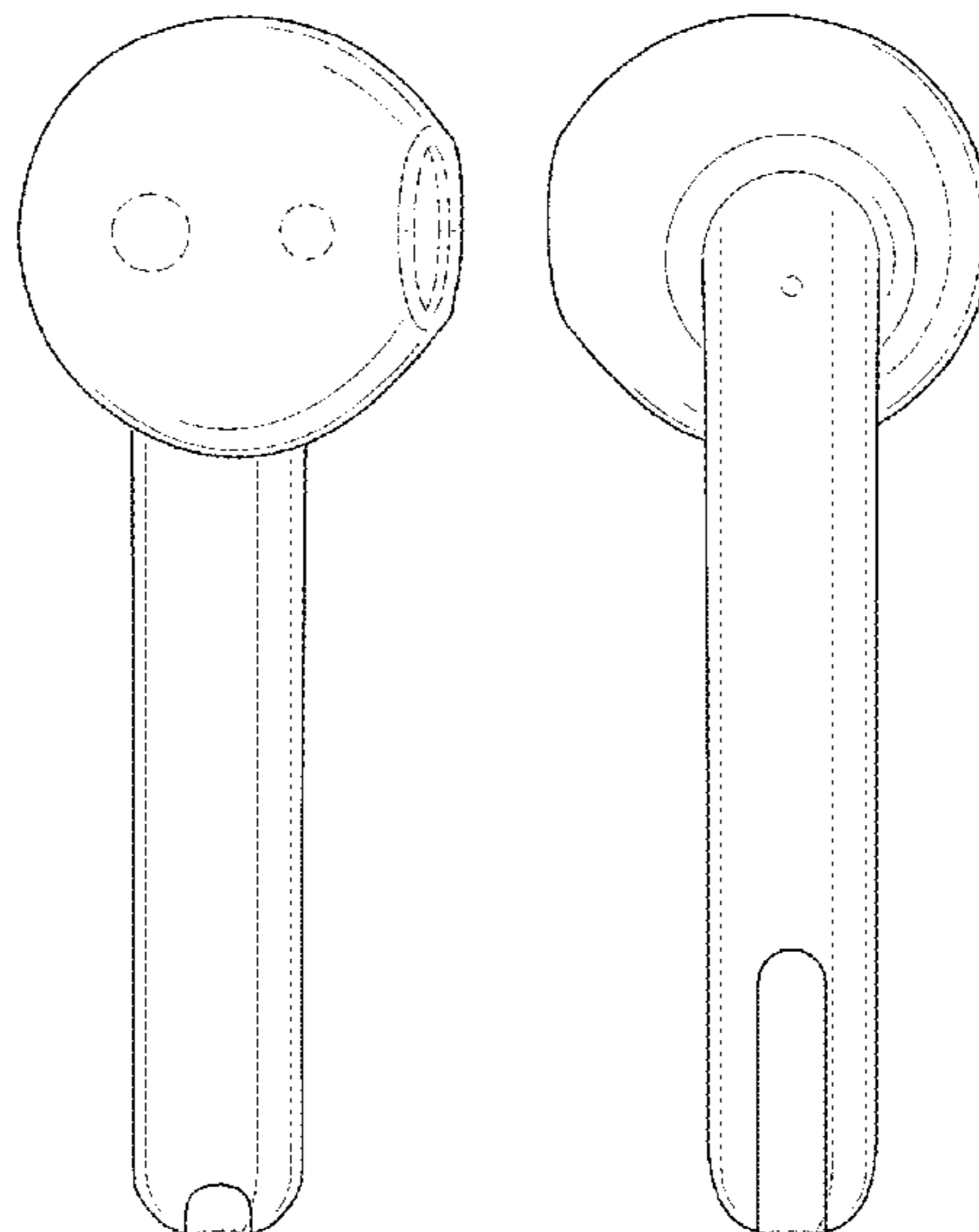
FIG. 6 is a right side view thereof;

FIG. 7 is a top view thereof; and,

FIG. 8 is a bottom view thereof.

The broken line portions of the earphone in FIGS. 1-8 represent unclaimed portions of the claimed design and form no part thereof.

**1 Claim, 7 Drawing Sheets**



(56)

References Cited

U.S. PATENT DOCUMENTS

D572,242 S \* 7/2008 Yang ..... D14/205  
D583,804 S \* 12/2008 Mahler ..... D14/223  
D590,378 S \* 4/2009 Bradford ..... D14/223  
D595,272 S \* 6/2009 Kim ..... D14/223  
D606,980 S \* 12/2009 Bradford ..... D14/218  
D632,680 S \* 2/2011 Anneback ..... D14/228  
D641,738 S \* 7/2011 Perez ..... D14/223  
D652,823 S \* 1/2012 Chen ..... D14/223  
D653,235 S \* 1/2012 McManigal ..... D14/205  
D681,015 S \* 4/2013 Akana ..... H04R 1/10  
D14/223  
D718,284 S \* 11/2014 Shibusawa ..... D14/223  
9,042,583 B2 \* 5/2015 Buyens ..... H04R 25/50  
381/312  
D733,101 S \* 6/2015 Pi ..... D14/223  
D733,689 S \* 7/2015 Narita ..... D14/223  
D738,864 S \* 9/2015 Lee ..... D14/223  
D741,287 S \* 10/2015 Harata ..... D14/205  
D757,682 S \* 5/2016 Perez ..... D14/205  
D801,314 S \* 10/2017 Akana ..... D14/223  
D820,809 S \* 6/2018 Akana ..... D14/205  
D830,336 S \* 10/2018 Cai ..... D14/205  
D832,823 S \* 11/2018 Xiao ..... D14/223  
D832,824 S \* 11/2018 Kim ..... D14/223  
D847,125 S \* 4/2019 Akana ..... D14/223  
2012/0237074 A1 \* 9/2012 Aase ..... H04R 1/1016  
381/380  
2012/0275635 A1 \* 11/2012 Chen ..... H04R 1/1075  
381/380  
2013/0343585 A1 \* 12/2013 Bennett ..... H04R 25/554  
381/315  
2015/0382100 A1 \* 12/2015 Azmi ..... H04R 1/1091  
381/380  
2017/0164087 A1 \* 6/2017 Kurtz ..... H04R 1/1091

\* cited by examiner

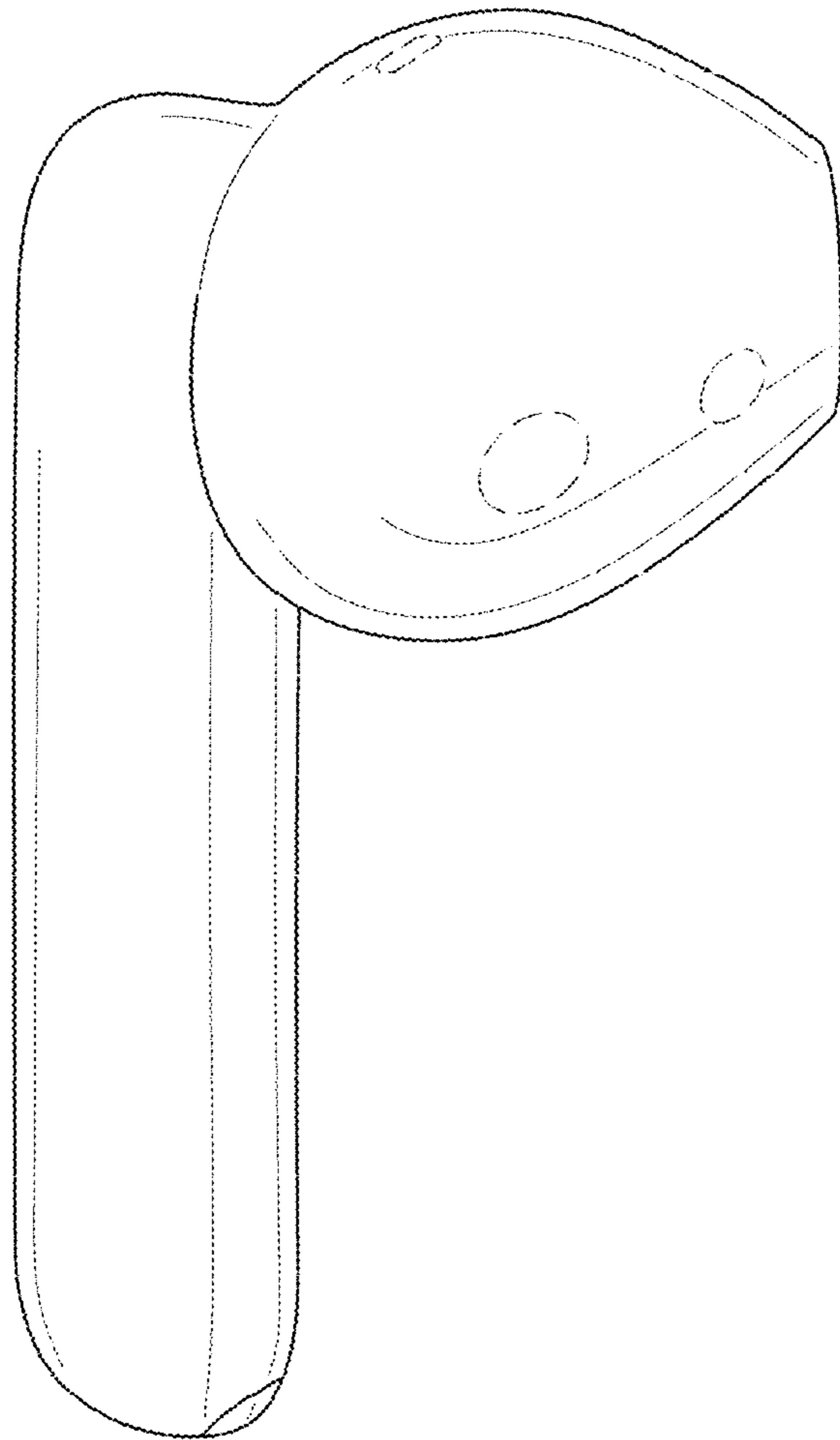


FIG. 1

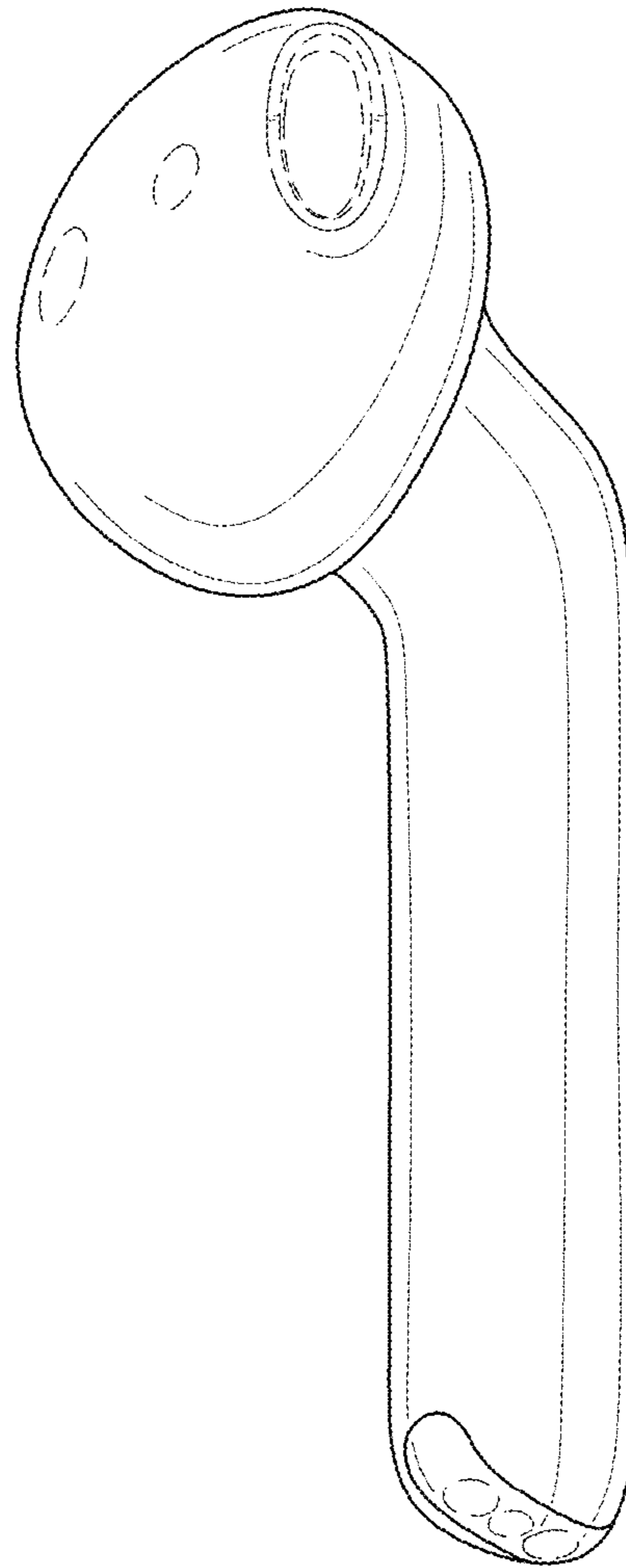


FIG. 2

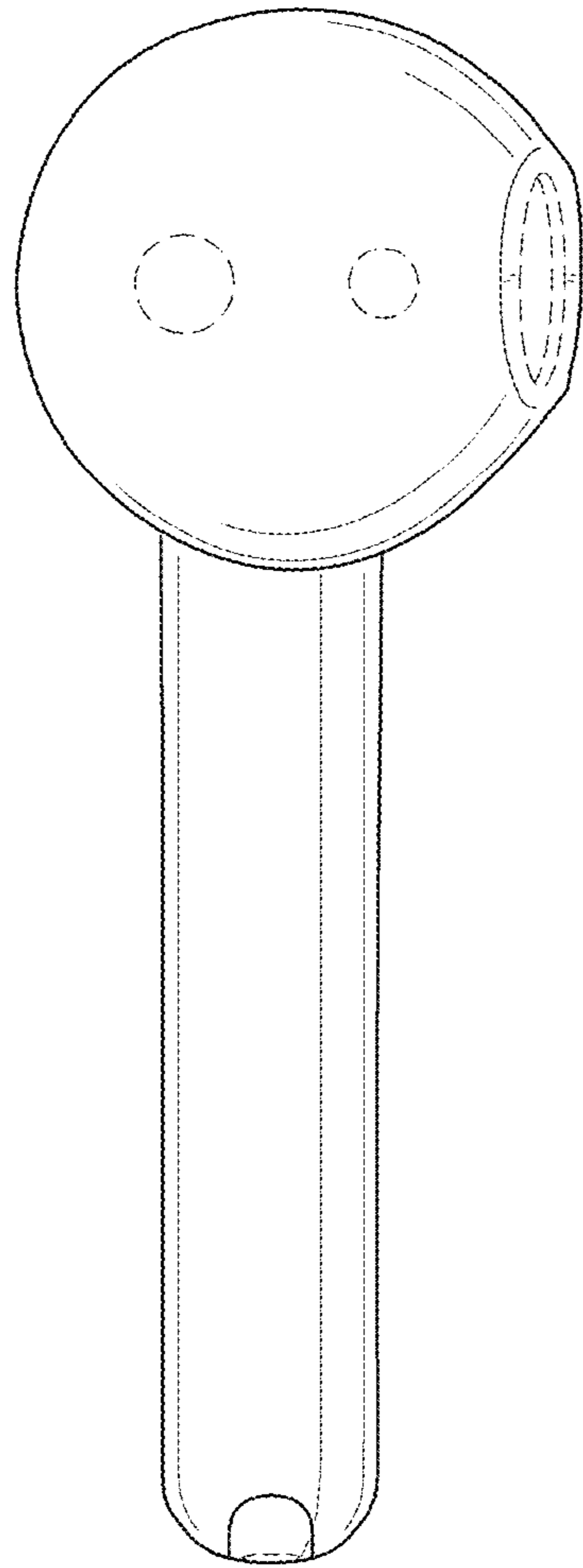


FIG. 3

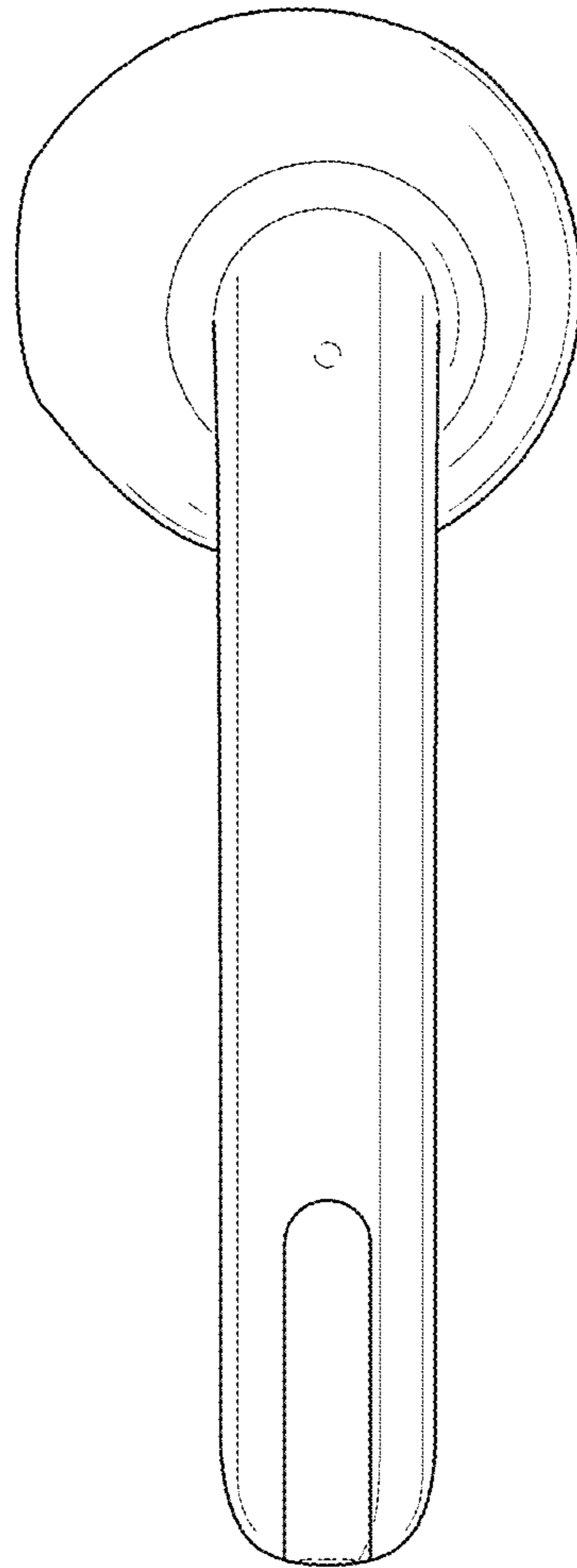


FIG. 4

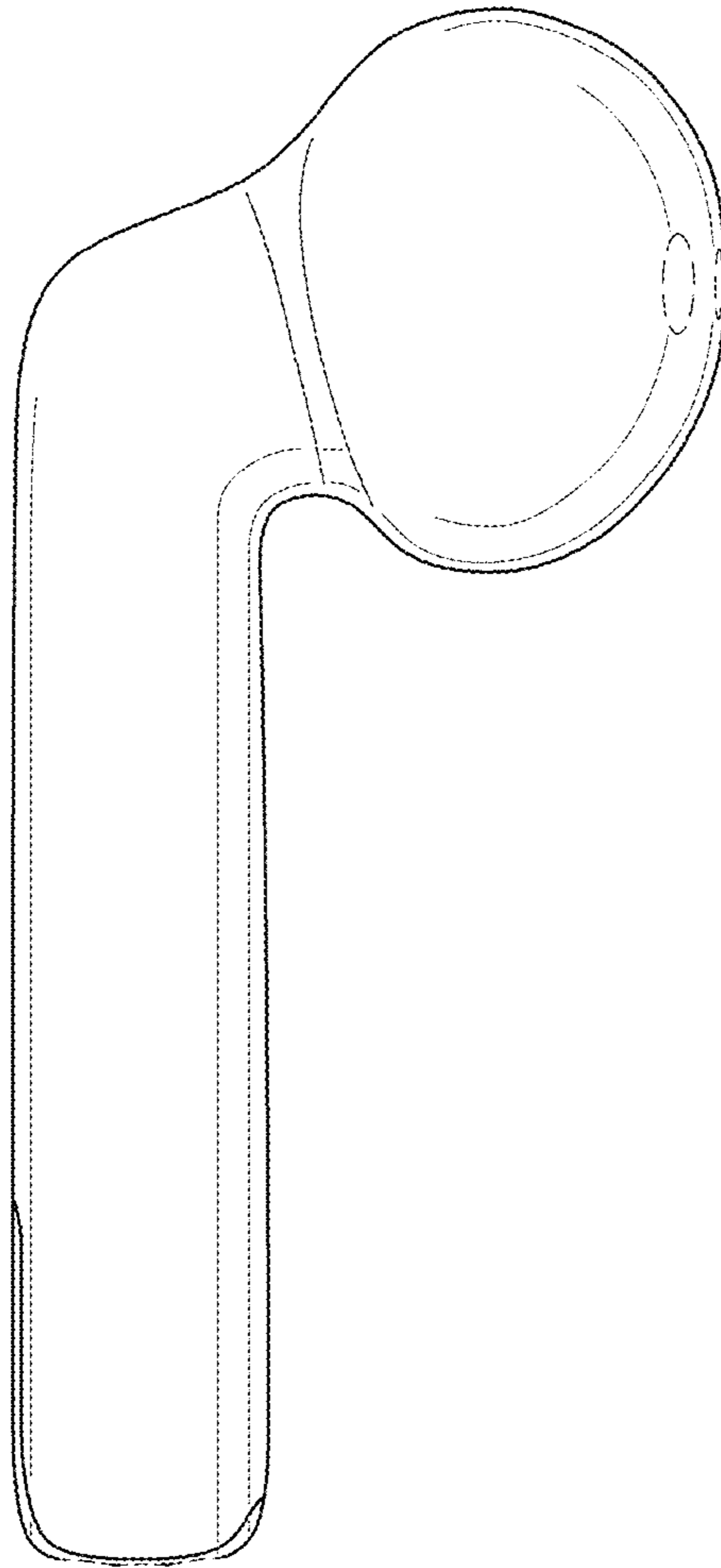


FIG. 5

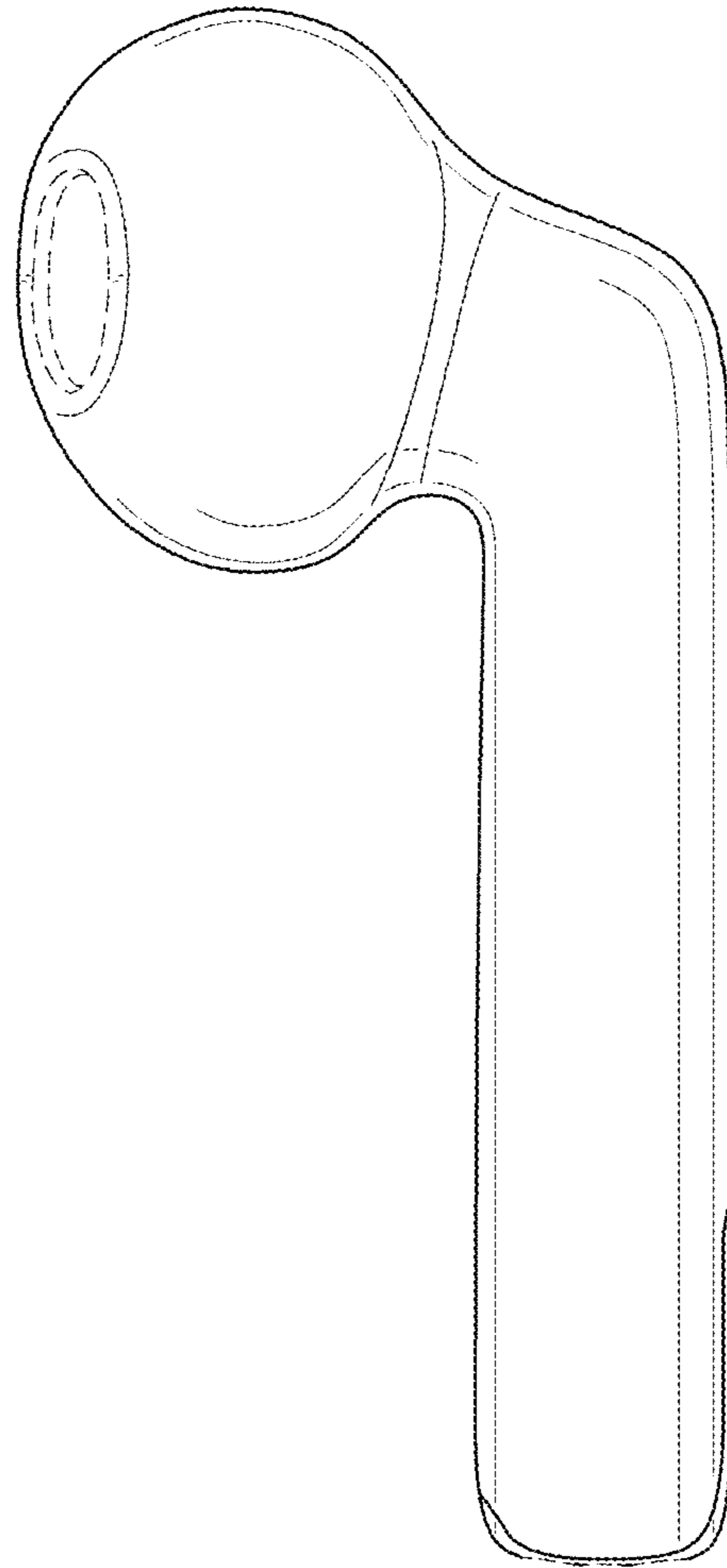


FIG. 6



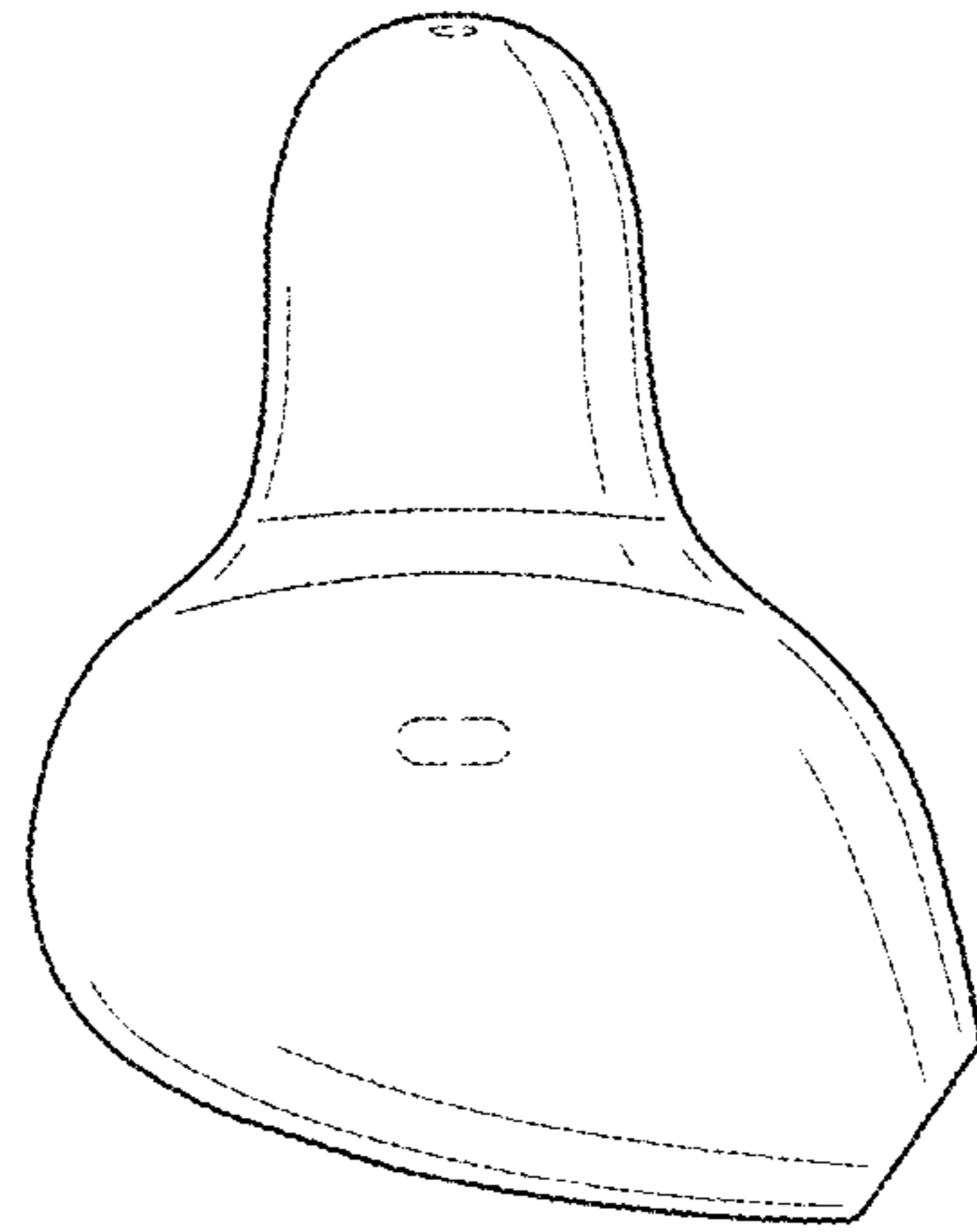


FIG. 7

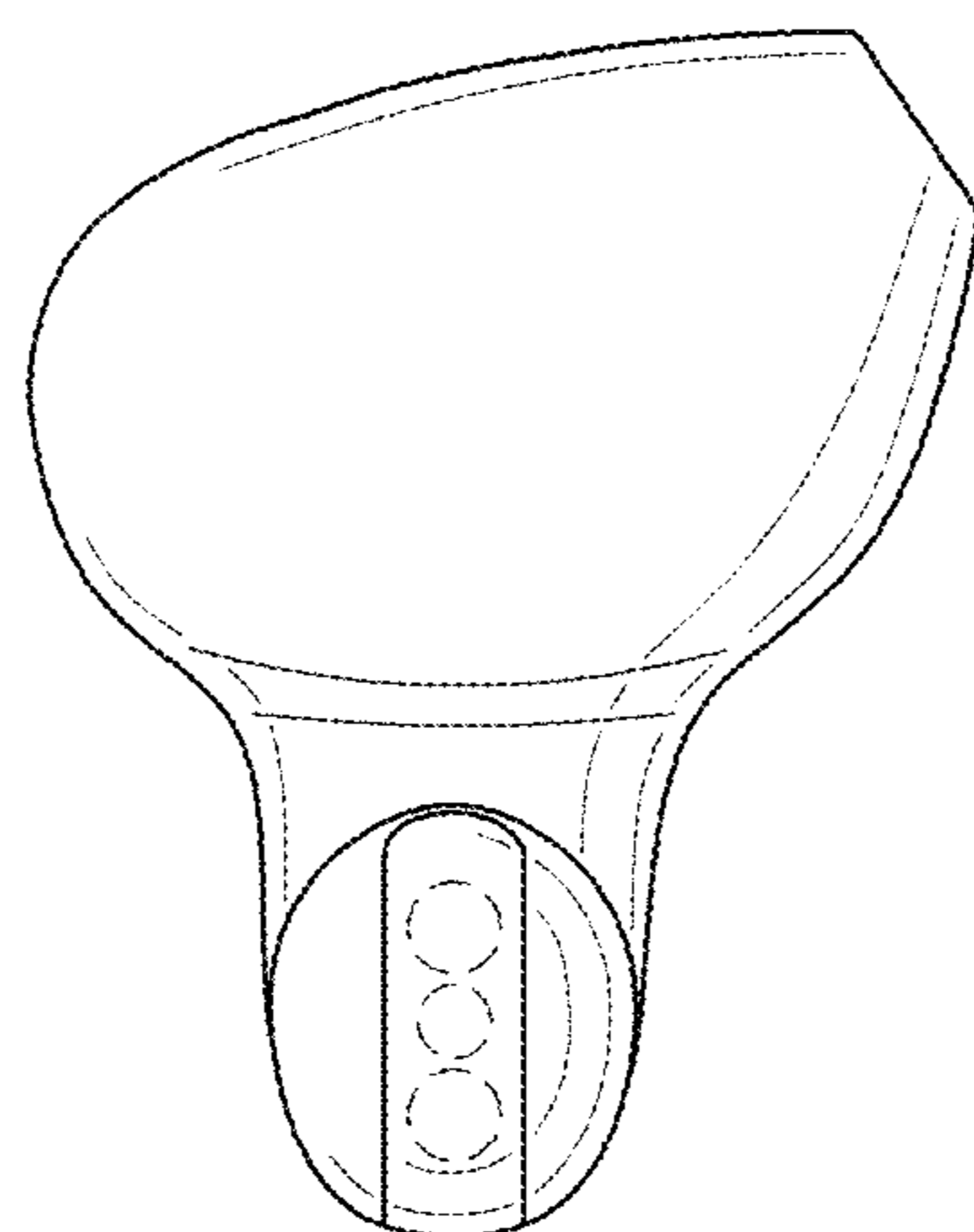


FIG. 8