

US00D869443S

(12) **United States Design Patent**
Sumii

(10) **Patent No.:** **US D869,443 S**

(45) **Date of Patent:** **** Dec. 10, 2019**

(54) **EARPHONE**

(71) Applicant: **SONY CORPORATION**, Tokyo (JP)

(72) Inventor: **Tetsu Sumii**, Kanagawa (JP)

(73) Assignee: **SONY CORPORATION**, Tokyo (JP)

(**) Term: **15 Years**

(21) Appl. No.: **29/640,418**

(22) Filed: **Mar. 14, 2018**

(30) **Foreign Application Priority Data**

Dec. 27, 2017 (CN) 2017 3 0674894
Dec. 28, 2017 (JP) D2017-029450

(51) **LOC (12) Cl.** **14-01**

(52) **U.S. Cl.**
USPC **D14/223**

(58) **Field of Classification Search**
USPC D14/205, 221, 223, 224, 224.1, 225;
D24/173, 174
CPC H04R 1/10; H04R 1/1016; H04R 1/1066;
H04R 1/1033; H04R 1/08; H04R 5/033;
H04R 5/0335; H04R 25/00
See application file for complete search history.

(56) **References Cited**

U.S. PATENT DOCUMENTS

D443,261 S 6/2001 Yuyama
D533,867 S 12/2006 Koizumi
D603,378 S 11/2009 Paradise
D628,989 S 12/2010 Lee et al.
D637,184 S 5/2011 March
D659,125 S 5/2012 Katsuraku et al.
D667,817 S 9/2012 Otani
D685,351 S 7/2013 Morimoto
D691,728 S * 10/2013 Svensson D24/174
D729,776 S 5/2015 Miyake et al.
D745,862 S 12/2015 Otani et al.

D772,846 S 11/2016 Watanabe
D797,706 S 9/2017 Sagawa et al.
D801,950 S * 11/2017 Otani D14/223
(Continued)

FOREIGN PATENT DOCUMENTS

CN 302242438 S 12/2012
CN 303168951 S 4/2015

OTHER PUBLICATIONS

Sony wf-sp700n earbuds are the first noise-cancelling and splash-proof wireless in-ears, posted Jan. 9, 2018 [online] 00:10, retrieved Dec. 4, 2018, retrieved from internet, <<https://www.youtube.com/watch?v=wh3KsvHcl5E>><<https://www.youtube.com/watch?v=wh3KsvHcl5E>></https>.*

(Continued)

Primary Examiner — Barbara Fox
Assistant Examiner — Messina L Smith
(74) *Attorney, Agent, or Firm* — Michael Best and Friedrich LLP

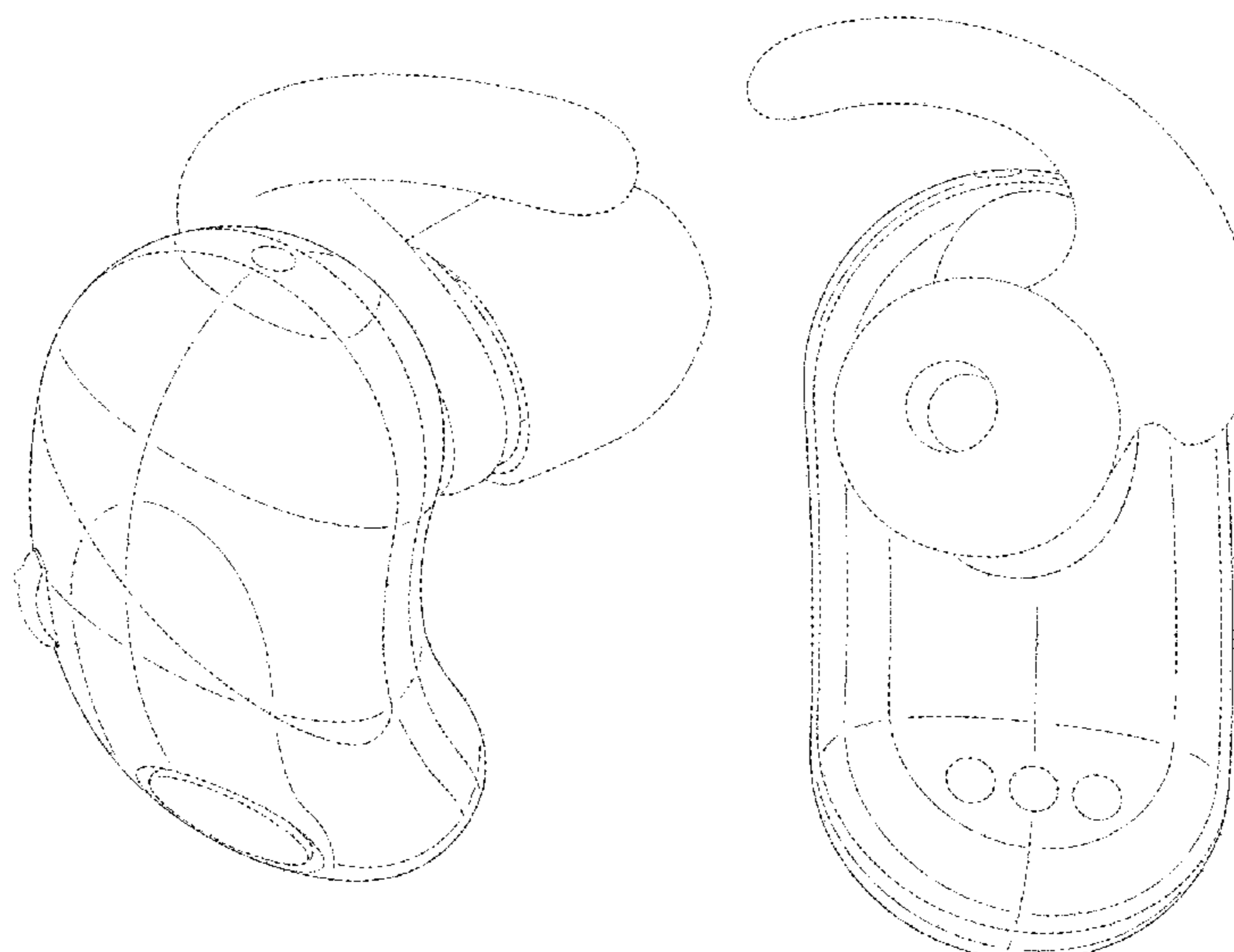
(57) **CLAIM**

The ornamental design for an earphone, as shown and described.

DESCRIPTION

FIG. 1 is a perspective view of a first embodiment of an earphone showing my new design; FIG. 2 is a front elevational view thereof; FIG. 3 is a rear elevational view thereof; FIG. 4 is a left side elevational view thereof; FIG. 5 is a right side elevational view thereof; FIG. 6 is a top plan view thereof; and, FIG. 7 is a bottom plan view thereof. The broken lines in the drawings depict portions of the earphone that form no part of the claimed design. Dot-dash broken lines define the boundaries of the claimed design and form no part of the claimed design.

1 Claim, 7 Drawing Sheets



(56)

References Cited

U.S. PATENT DOCUMENTS

D807,862 S *	1/2018	Takami	D14/223
D814,443 S *	4/2018	Sandanger	A61F 11/08 D14/223
D833,420 S *	11/2018	Lindenberger	D14/223
2006/0147078 A1 *	7/2006	Neu	H04R 1/105 381/374
2008/0159580 A1 *	7/2008	Cheng	H04R 1/1058 381/374
2008/0310656 A1 *	12/2008	Tsai	H04M 1/05 381/151
2016/0037248 A1 *	2/2016	Cheng	H04R 1/105 381/74
2017/0214996 A1 *	7/2017	Yeo	H04R 1/1016

OTHER PUBLICATIONS

Sony WF-SP700N—Wireless Noise Cancellation Headphones, posted Feb. 3, 2018 [online] 00:05, retrieved Dec. 4, 2018, retrieved from internet, <<https://www.youtube.com/watch?v=mevJtAMqcMM>><<https://www.youtube.com/watch?v=mevJtAMqcMM>></https:.*

Sony WF-SP700N Noise-Cancelling Bluetooth Earphones with NFC, posted © 2016 [online], retrieved Dec. 4, 2018, retrieved from internet, <<http://www.buyneasy.com/index.php/sony-wf-sp700n-noise-cancelling-bluetooth-earphones-with-nfc.html>><<http://www.buyneasy.com/index.php/sony-wf-sp700n-noise-cancelling-blue>>.*

* cited by examiner

FIG. 1

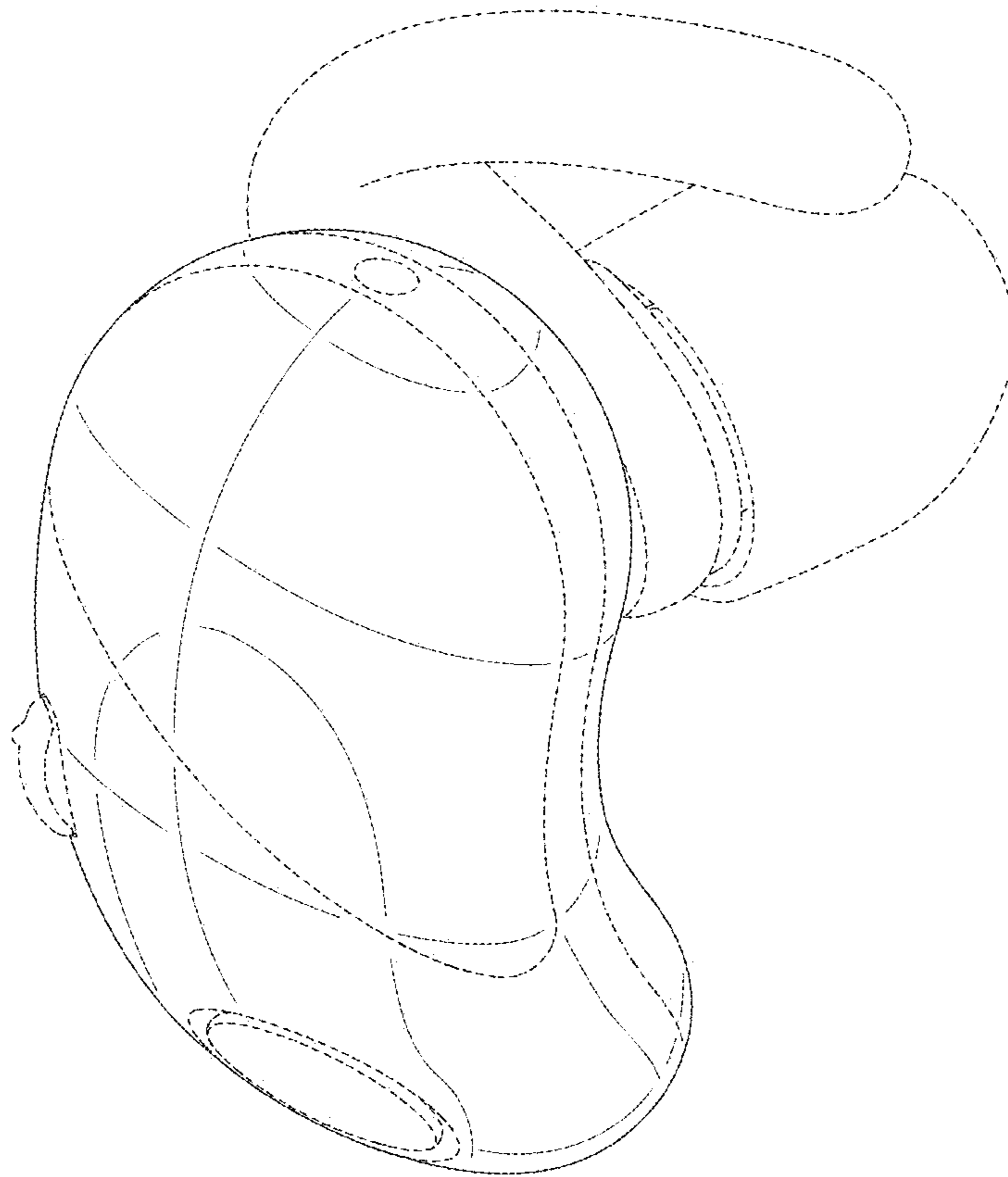


FIG. 2

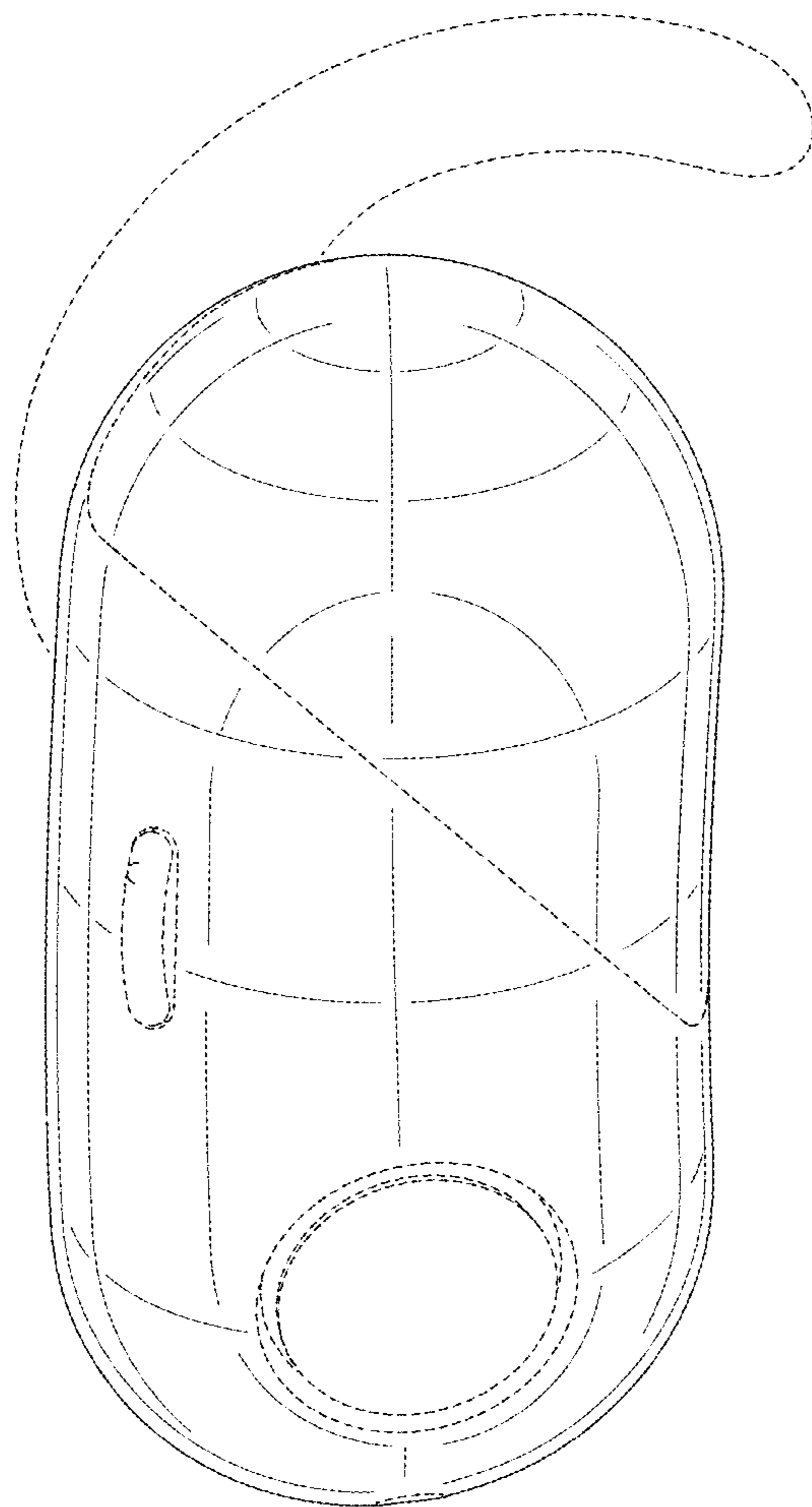


FIG. 3

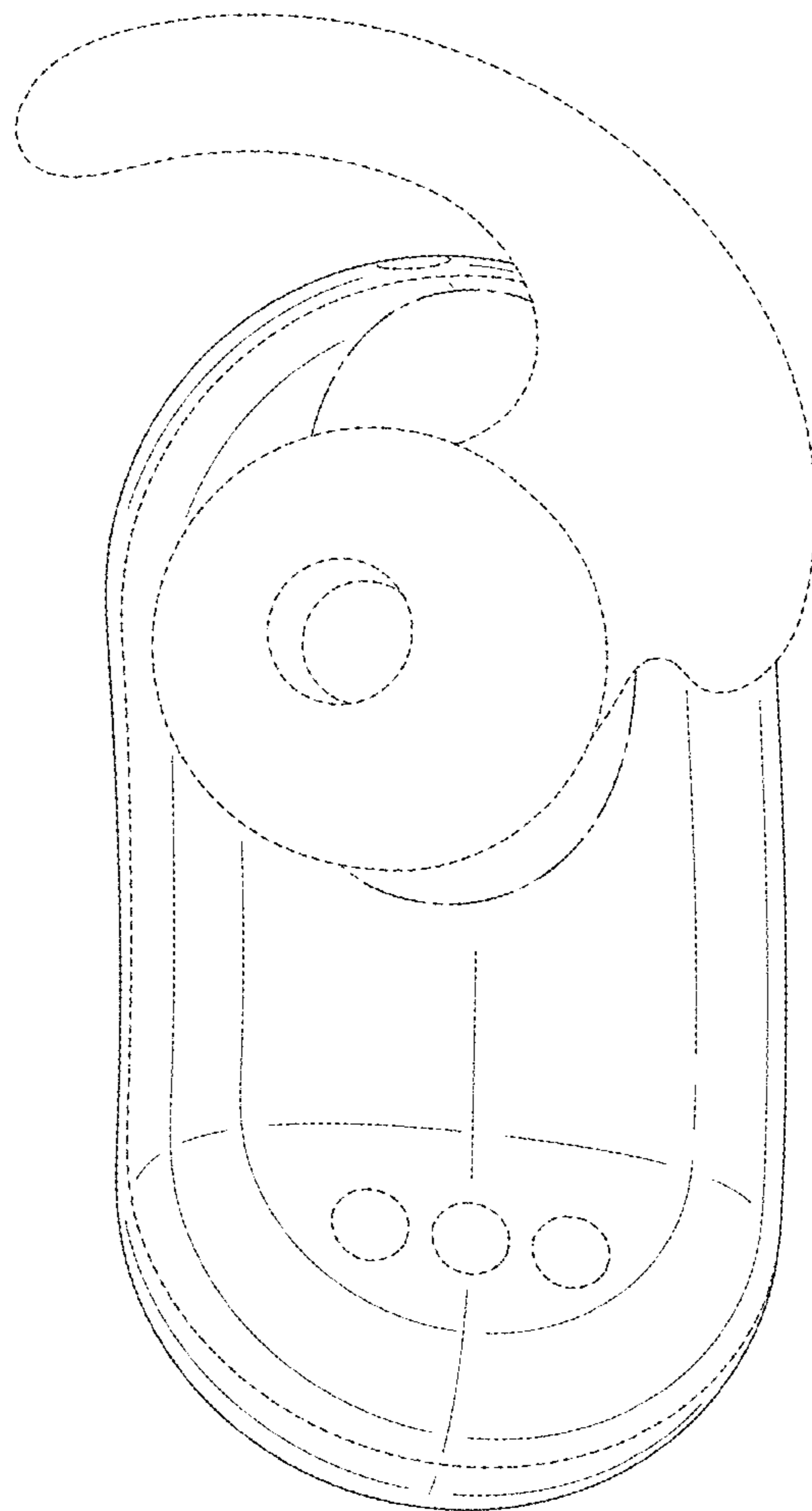


FIG. 4

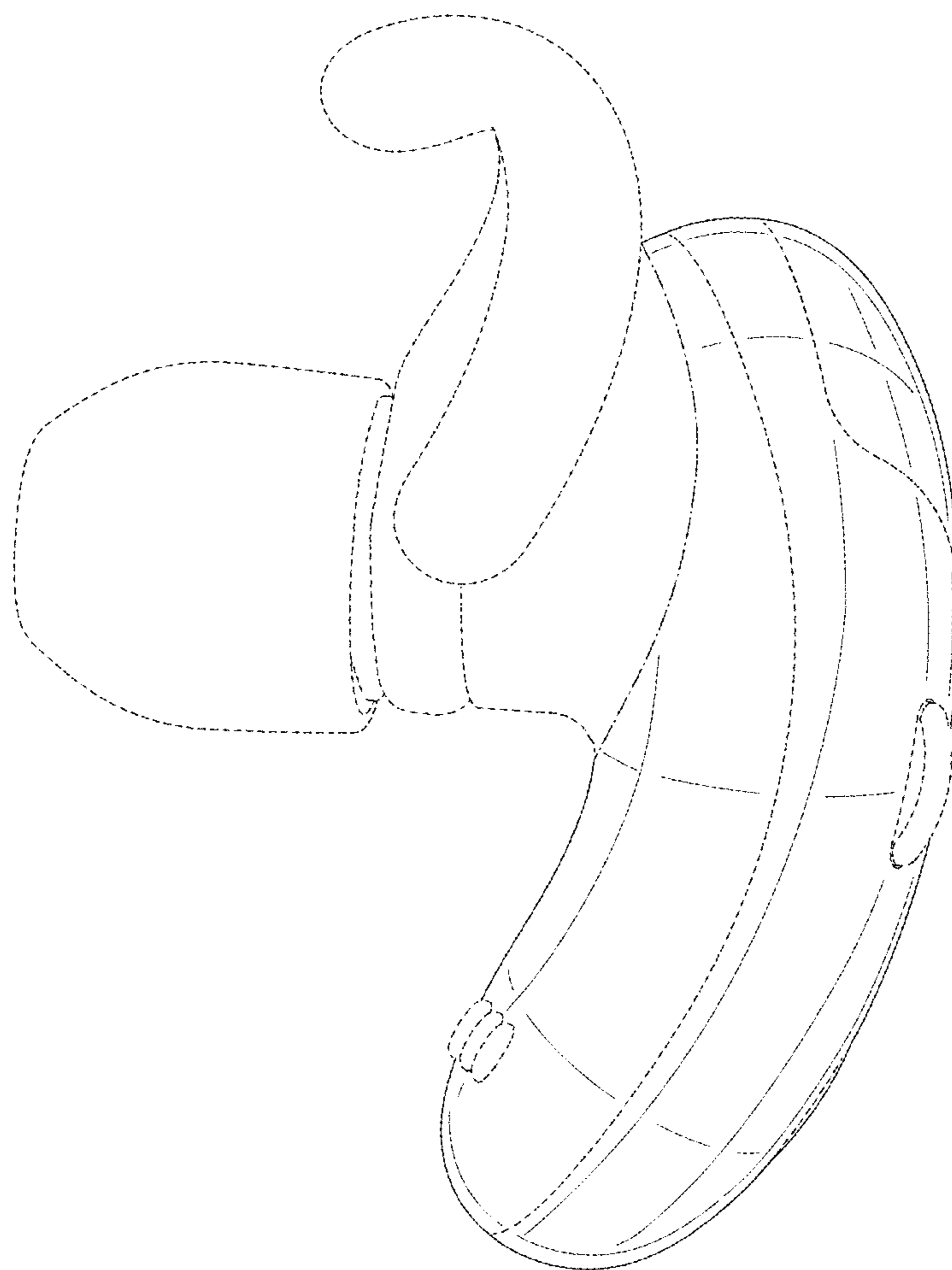


FIG. 5

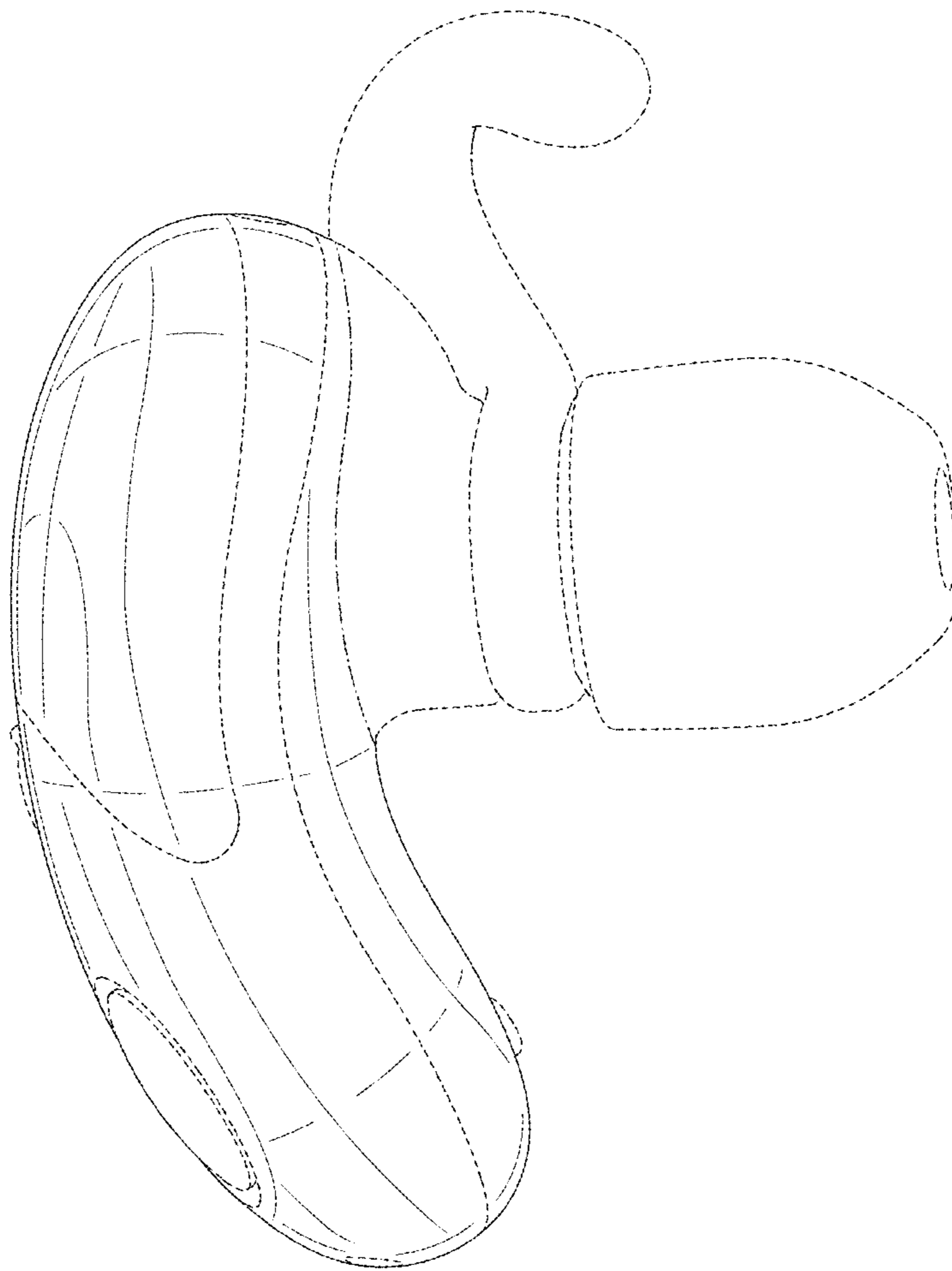


FIG. 6

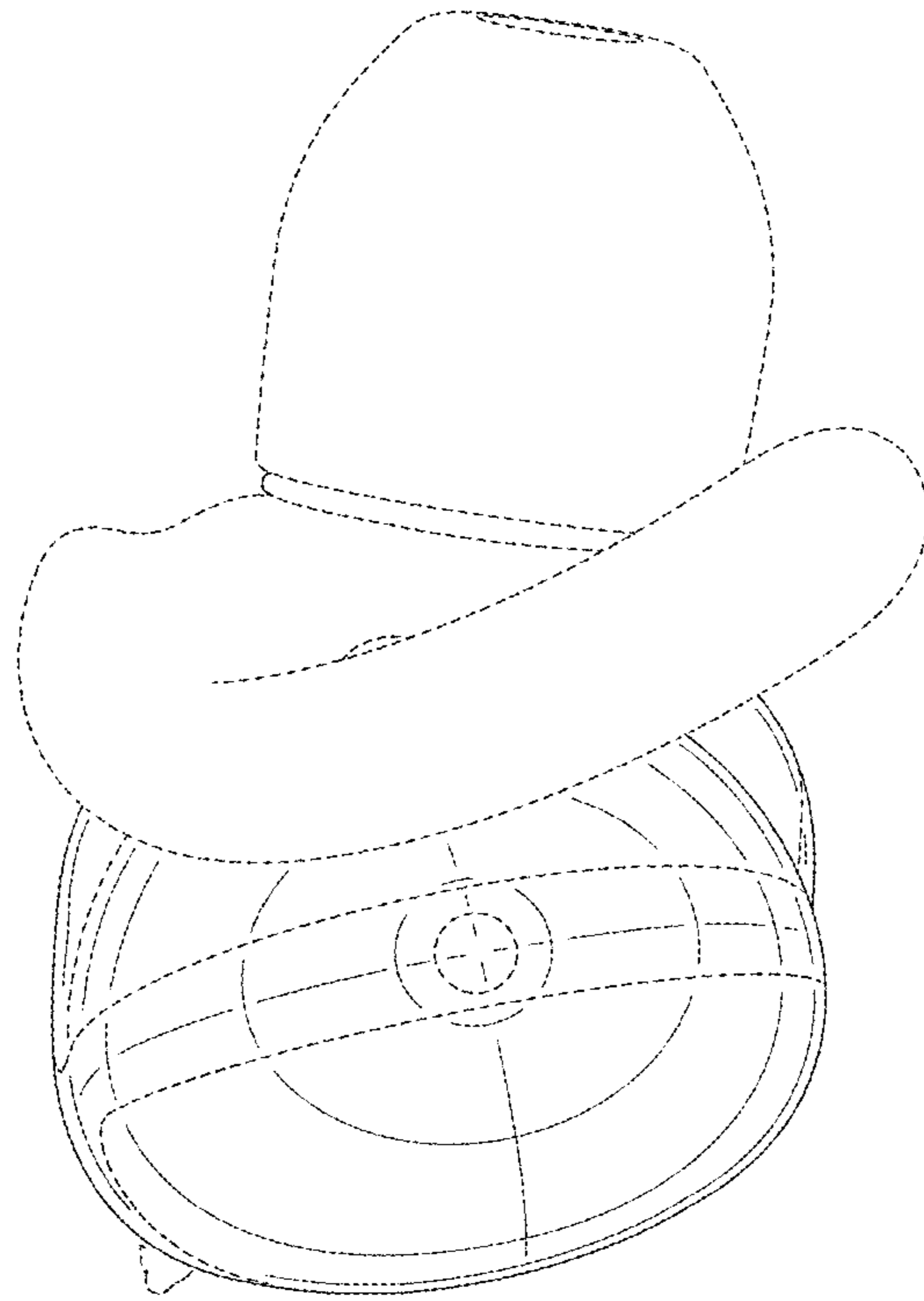


FIG. 7

