



US00D869442S

(12) **United States Design Patent** (10) **Patent No.:** **US D869,442 S**
Zhang et al. (45) **Date of Patent:** **** Dec. 10, 2019**

(54) **CONTROLLER**

(71) Applicant: **Comcast Cable Communications, LLC**, Philadelphia, PA (US)

(72) Inventors: **Zhe Zhang**, Wood Ridge, NJ (US);
Michael Jou, Philadelphia, PA (US);
Neil Epstein, Bryn Mawr, PA (US);
Mahatom Batoma, Philadelphia, PA (US)

(73) Assignee: **Comcast Cable Communications, LLC**, Philadelphia, PA (US)

(**) Term: **15 Years**

(21) Appl. No.: **29/672,872**

(22) Filed: **Dec. 10, 2018**

(51) **LOC (12) Cl.** **14-03**

(52) **U.S. Cl.**
USPC **D14/218**

(58) **Field of Classification Search**
USPC D14/218; D13/168
CPC .. A47C 31/008; A61G 13/02; G07C 9/00944;
G08C 17/00; G08C 17/02; H04B 1/202;
H01H 9/02; H01H 9/0214; H01H 9/0235;
H01H 9/0242
See application file for complete search history.

(56) **References Cited**

U.S. PATENT DOCUMENTS

D532,779 S * 11/2006 Kim D14/218
D567,804 S * 4/2008 Yan D14/218

D603,843 S * 11/2009 Einaudi D14/218
D663,289 S * 7/2012 Murchison D14/218
D722,044 S * 2/2015 Daniel D14/218
D729,209 S * 5/2015 McManigal D14/218
D735,195 S * 7/2015 Yakel D14/218
D743,944 S * 11/2015 Karrman D14/218
D767,539 S * 9/2016 Shimonishi D14/218
D790,513 S * 6/2017 Brown D14/218
D795,842 S * 8/2017 Cha D14/218
D825,532 S * 8/2018 Maletz D14/218
D828,336 S * 9/2018 Matvienko D14/218

* cited by examiner

Primary Examiner — John Windmuller

(74) *Attorney, Agent, or Firm* — BakerHostetler

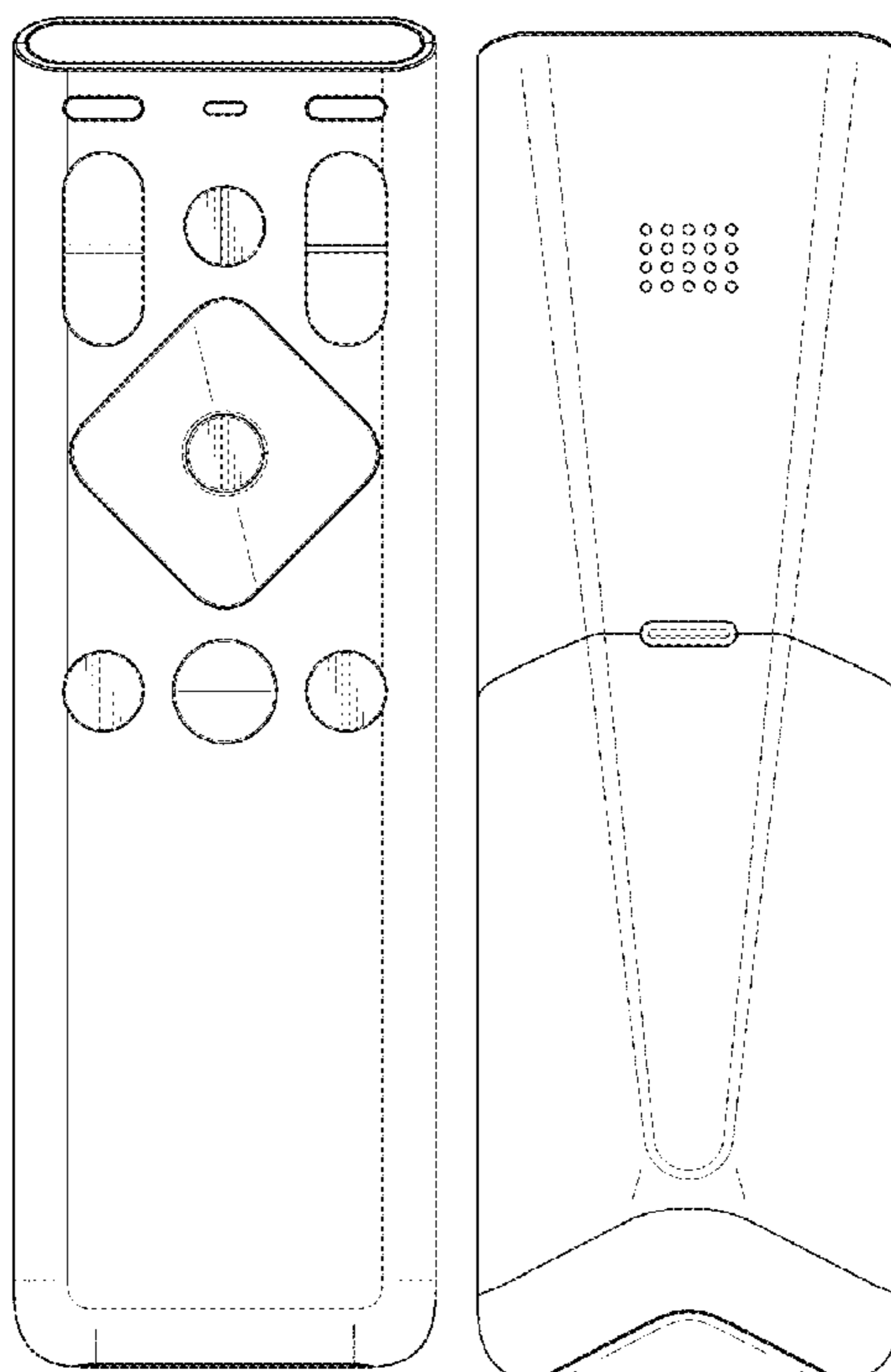
(57) **CLAIM**

An ornamental design for a controller, as shown and described.

DESCRIPTION

FIG. 1 is a front perspective view of a controller;
FIG. 2 is a rear perspective view of the controller of FIG. 1;
FIG. 3 is a front view of the controller of FIG. 1;
FIG. 4 is a rear view of the controller of FIG. 1;
FIG. 5 is a top view of the controller of FIG. 1;
FIG. 6 is a bottom view of the controller of FIG. 1;
FIG. 7 is a left side view of the controller of FIG. 1;
FIG. 8 is a right side view of the controller of FIG. 1; and,
FIG. 9 is an enlarged view of a portion of the controller of FIG. 2 showing apertures disposed through a rear portion of the controller.

1 Claim, 5 Drawing Sheets



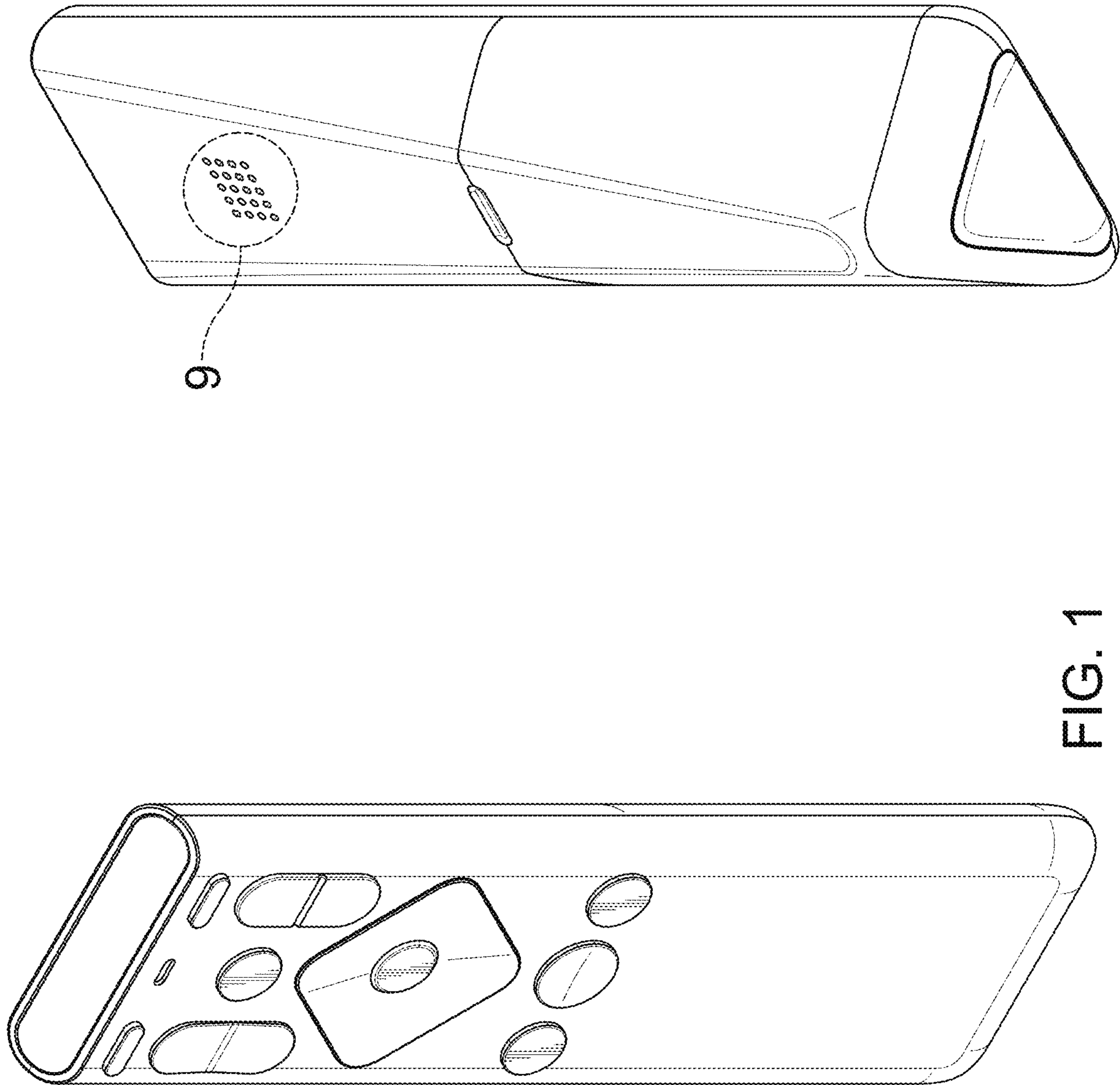


FIG. 2

FIG. 1

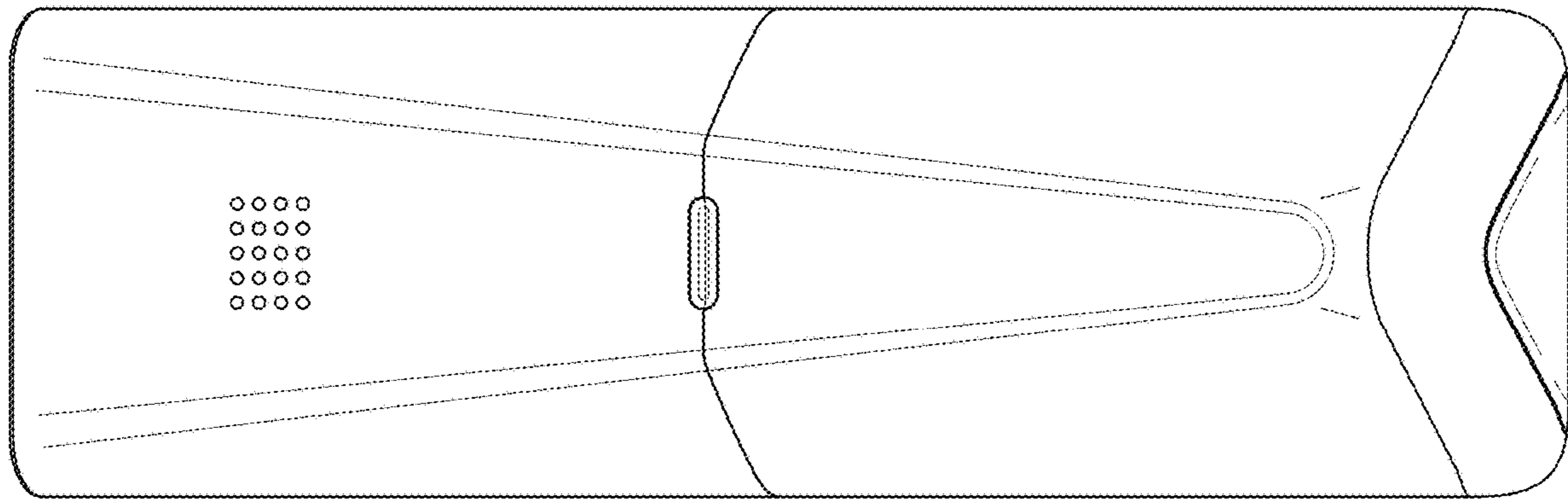


FIG. 4

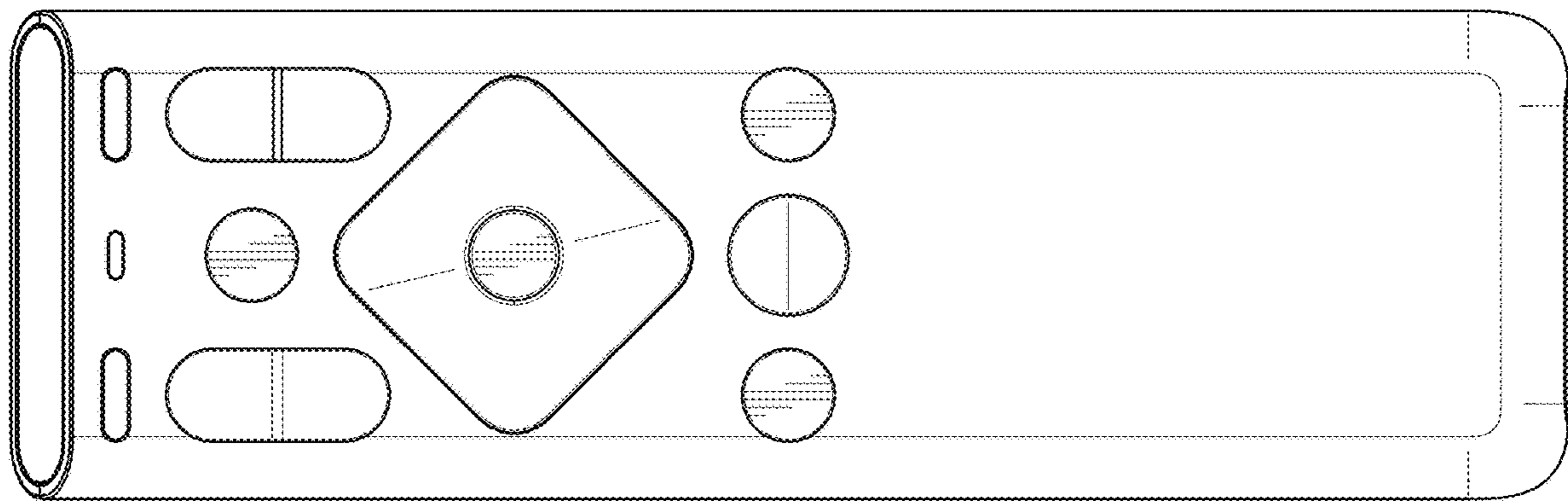


FIG. 3

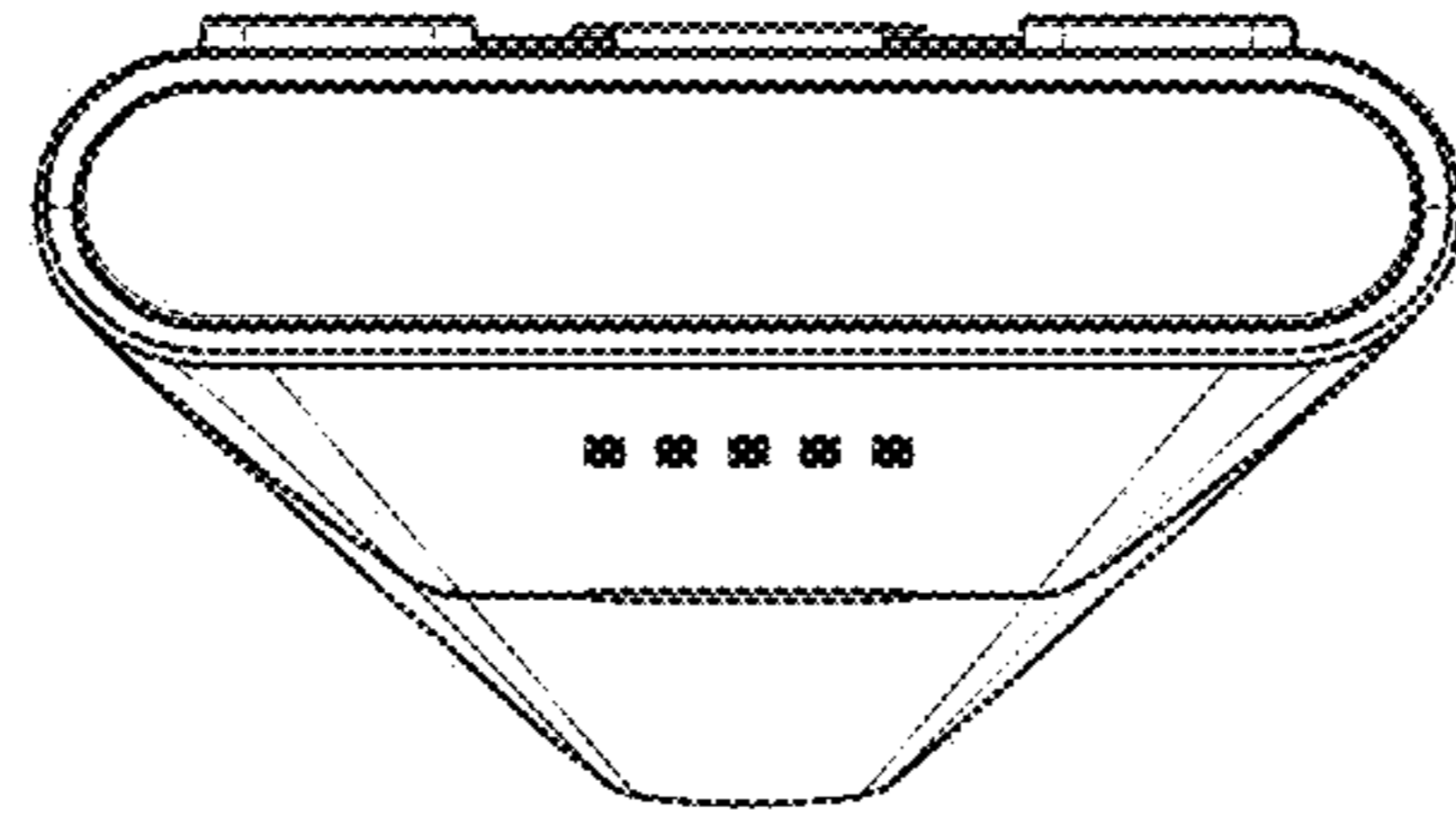


FIG. 5

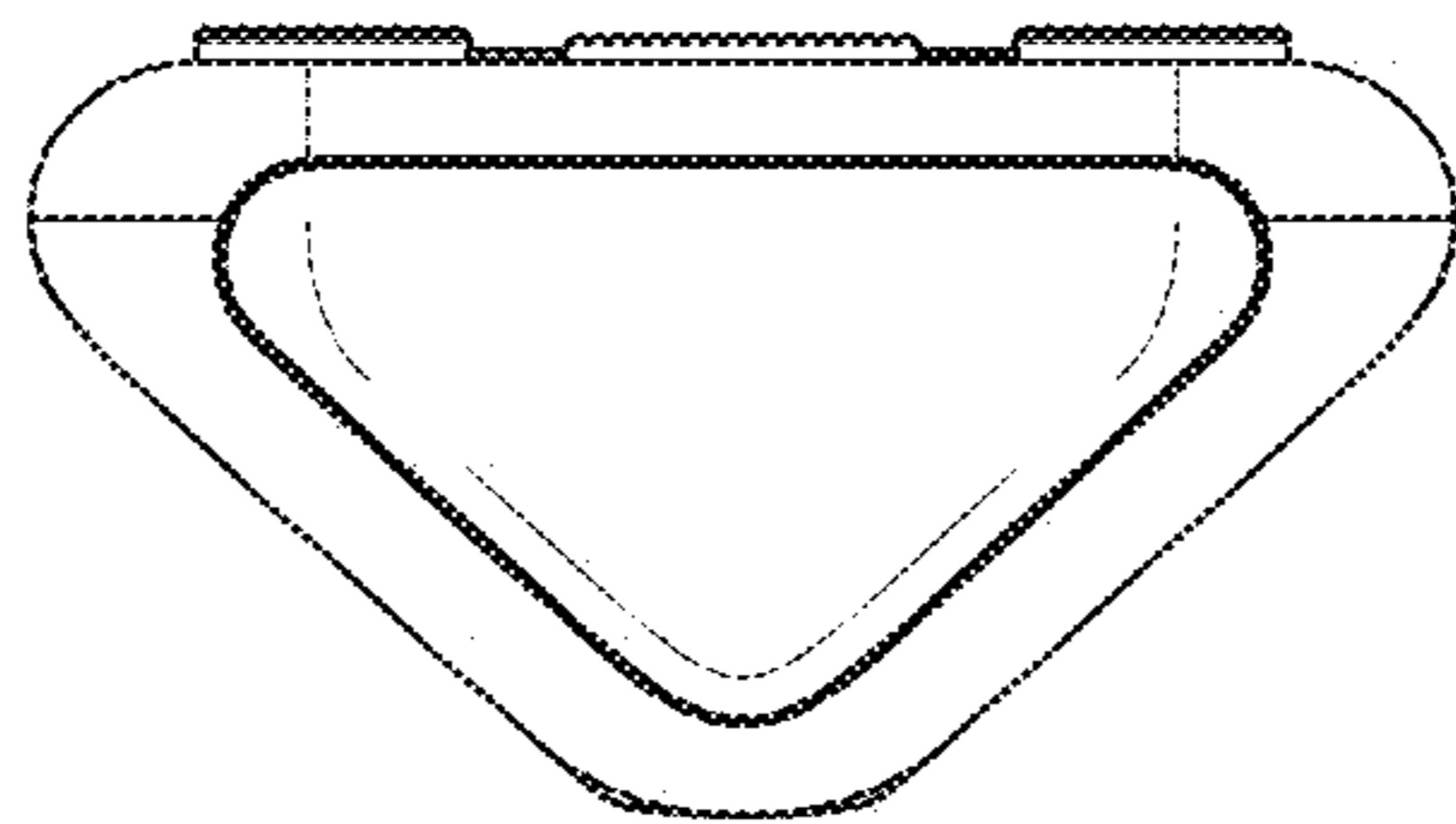


FIG. 6

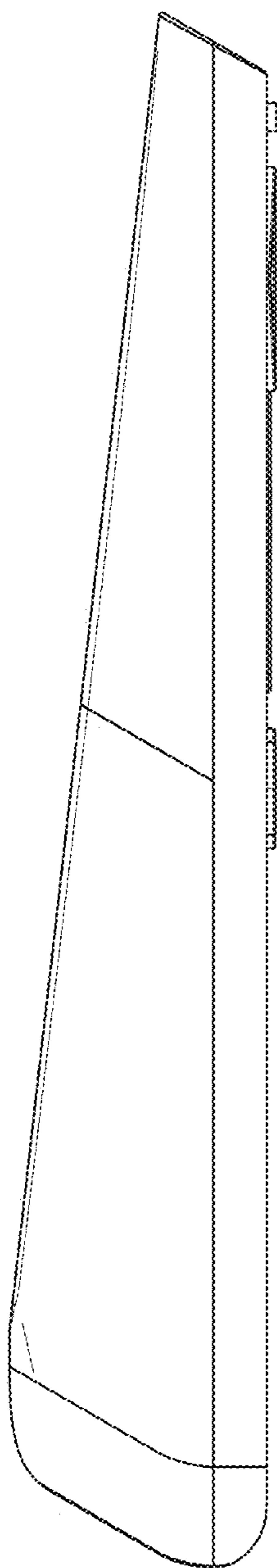


FIG. 7

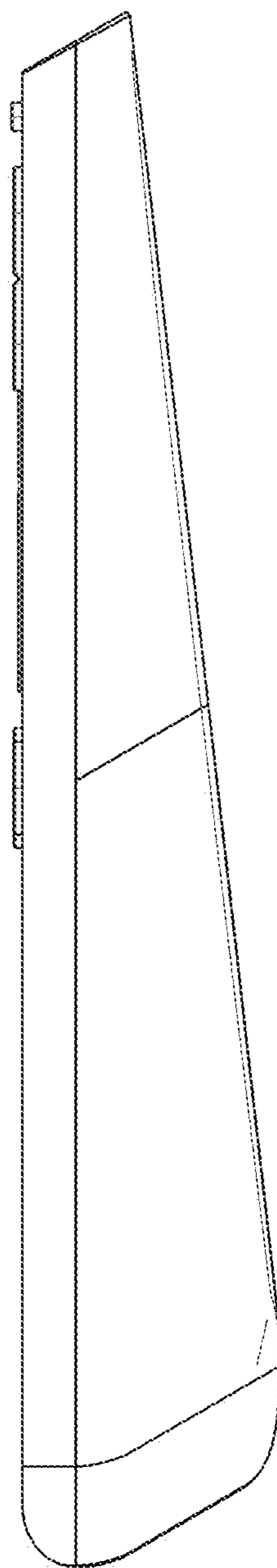


FIG. 8

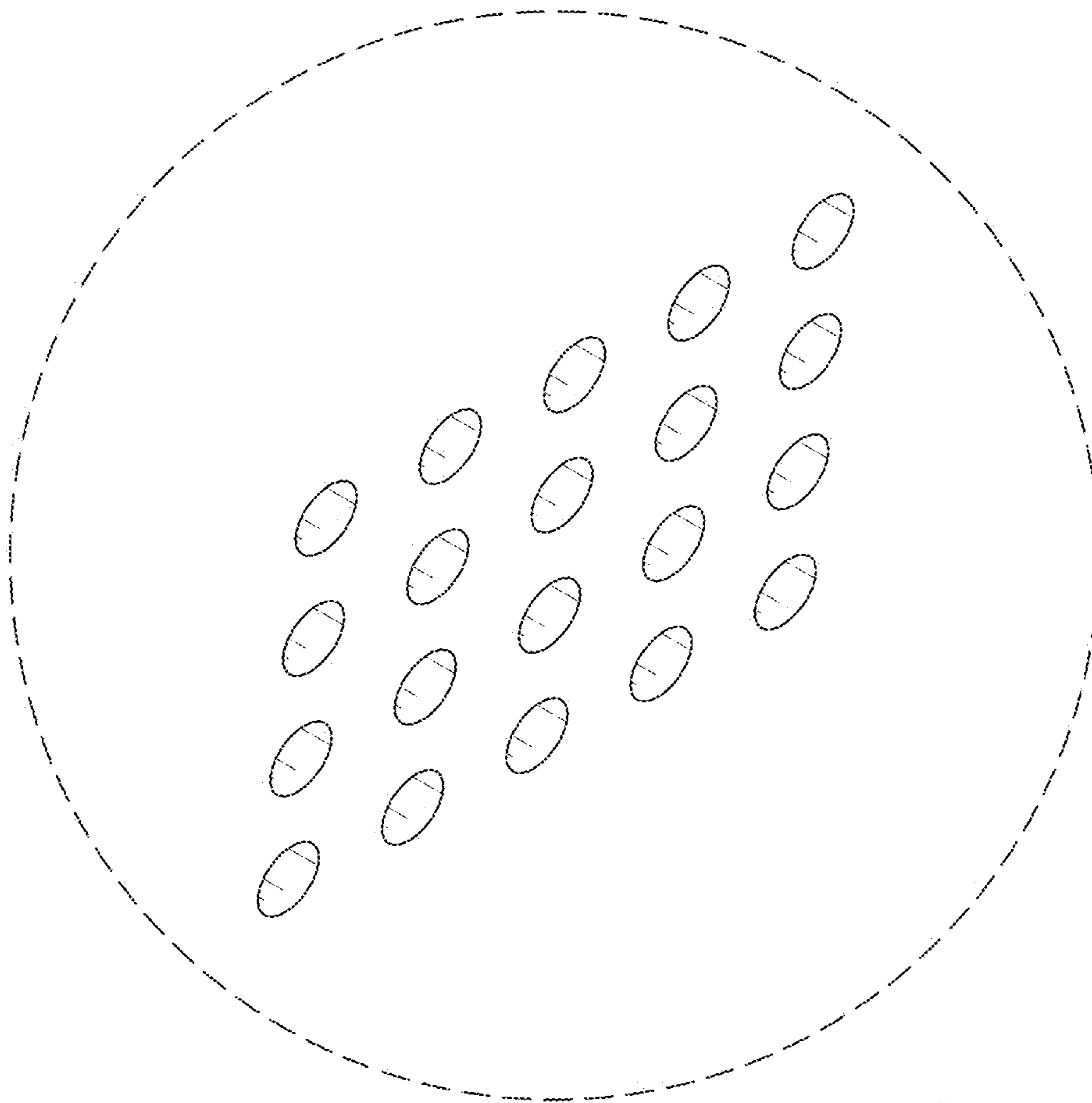


FIG. 9