



US00D869441S

(12) **United States Design Patent** (10) **Patent No.:** **US D869,441 S**
Jeong et al. (45) **Date of Patent:** **** *Dec. 10, 2019**

(54) **SOUND BAR**

(71) Applicant: **LG ELECTRONICS INC.**, Seoul (KR)

(72) Inventors: **Youngwon Jeong**, Seoul (KR);
Youngkyoung Kim, Seoul (KR);
Sunggu Joe, Seoul (KR)

(73) Assignee: **LG ELECTRONICS INC.**, Seoul (KR)

(*) Notice: This patent is subject to a terminal disclaimer.

(**) Term: **15 Years**

(21) Appl. No.: **35/505,122**

(22) Filed: **Dec. 15, 2017**

(80) **Hague Agreement Data**

Int. Filing Date: **Dec. 15, 2017**

Int. Reg. No.: **DM/099299**

Int. Reg. Date: **Dec. 15, 2017**

Int. Reg. Pub. Date: **Jun. 15, 2018**

(30) **Foreign Application Priority Data**

Jun. 16, 2017 (KR) 30-2017-0027783

(51) **LOC (12) Cl.** **14-01**

(52) **U.S. Cl.**
USPC **D14/217; D14/215**

(58) **Field of Classification Search**
USPC D14/204–216, 221, 265, 496–506, 188,
D14/194–198, 203.1, 203.8, 136, 165,
D14/168, 172

(Continued)

(56) **References Cited**

U.S. PATENT DOCUMENTS

D763,238 S * 8/2016 Kim D14/126

D778,259 S * 2/2017 Bouroullec D14/214

(Continued)

OTHER PUBLICATIONS

LG SL10Y_5.1.2 Channel Sound Bar, no date available, [online], [site visited Apr. 9, 2019]. Retrieved from url:https://www.lg.com/us/home-audio/lg-SL10YG-sound-bar (Year: 2019).*

Primary Examiner — Jeffrey D Asch

Assistant Examiner — Tracey J Bell

(74) *Attorney, Agent, or Firm* — Birch, Stewart, Kolasch & Birch, LLP

(57) **CLAIM**

The ornamental design for a sound bar, as shown and described.

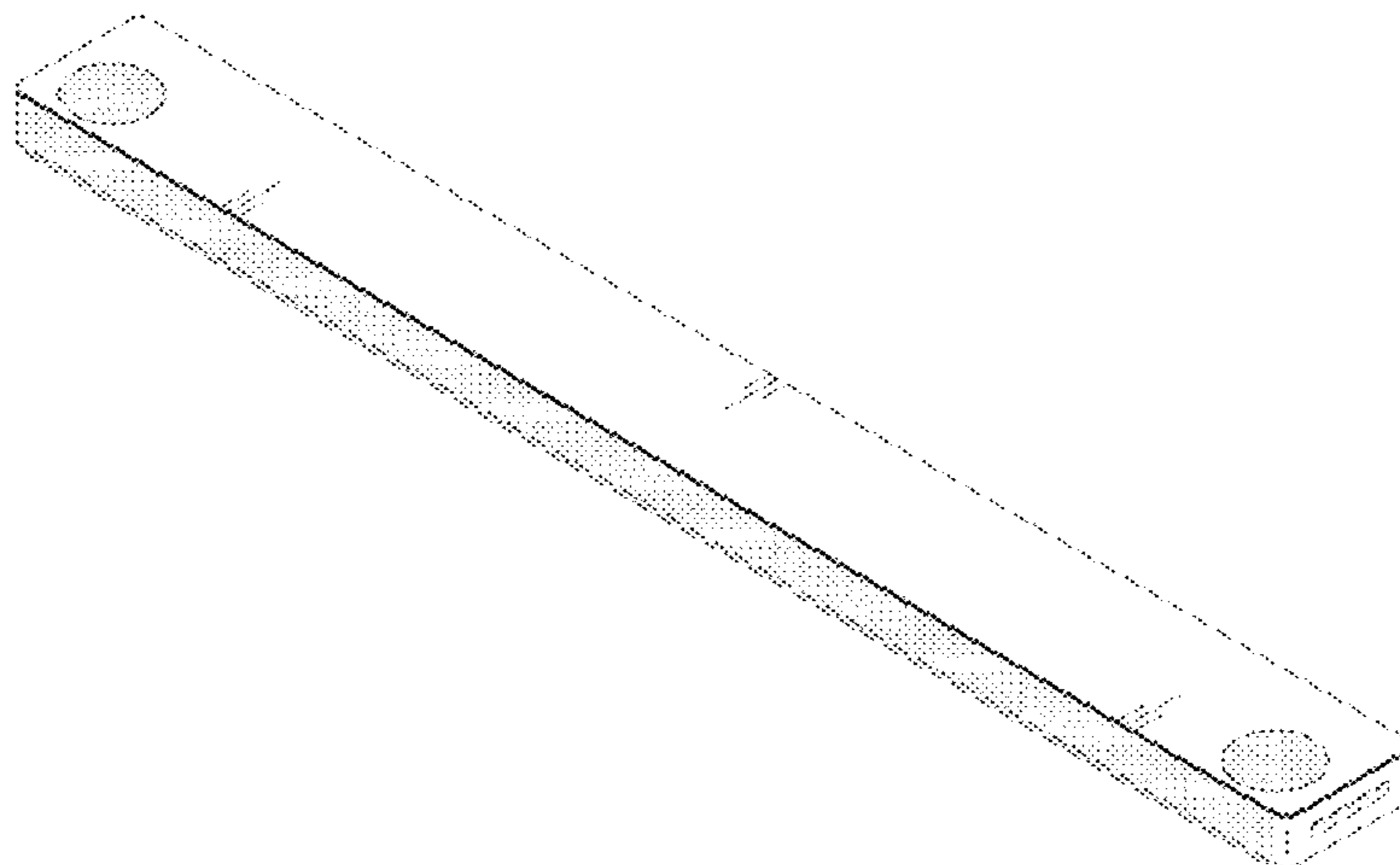
DESCRIPTION

- 1. Sound bar
- 1.1 : Perspective
- 1.2 : Front
- 1.3 : Back
- 1.4 : Left
- 1.5 : Right
- 1.6 : Top
- 1.7 : Bottom
- 1.8 : Perspective

The broken lines depict portions of the sound bar and environmental subject matter which form no part of the claimed design. Reproduction 1.8 shows the sound bar in a state of use, wherein the broken line showing of a screen depicts environmental subject matter which forms no part of the claimed design.

Reproduction 1.1 is a front perspective view of the sound bar; reproduction 1.2 is a front view thereof; reproduction 1.3 is a back view thereof; reproduction 1.4 is a left view thereof; reproduction 1.5 is a right view thereof; reproduction 1.6 is a top view thereof; reproduction 1.7 is a bottom view thereof; and reproduction 1.8 is a perspective view thereof.

1 Claim, 8 Drawing Sheets



(58) **Field of Classification Search**

CPC H04R 1/02; H04R 1/021; H04R 1/023;
H04R 5/00; H04R 9/06; H04R 2420/07;
H04R 1/025; H04R 1/026; H04R 1/323;
H04R 1/403; H04R 1/2803; H04R
1/2834; H04R 5/02; H04R 2201/021;
H04R 2400/00; H04R 2400/07; H04R
2499/11; G06F 1/1688

See application file for complete search history.

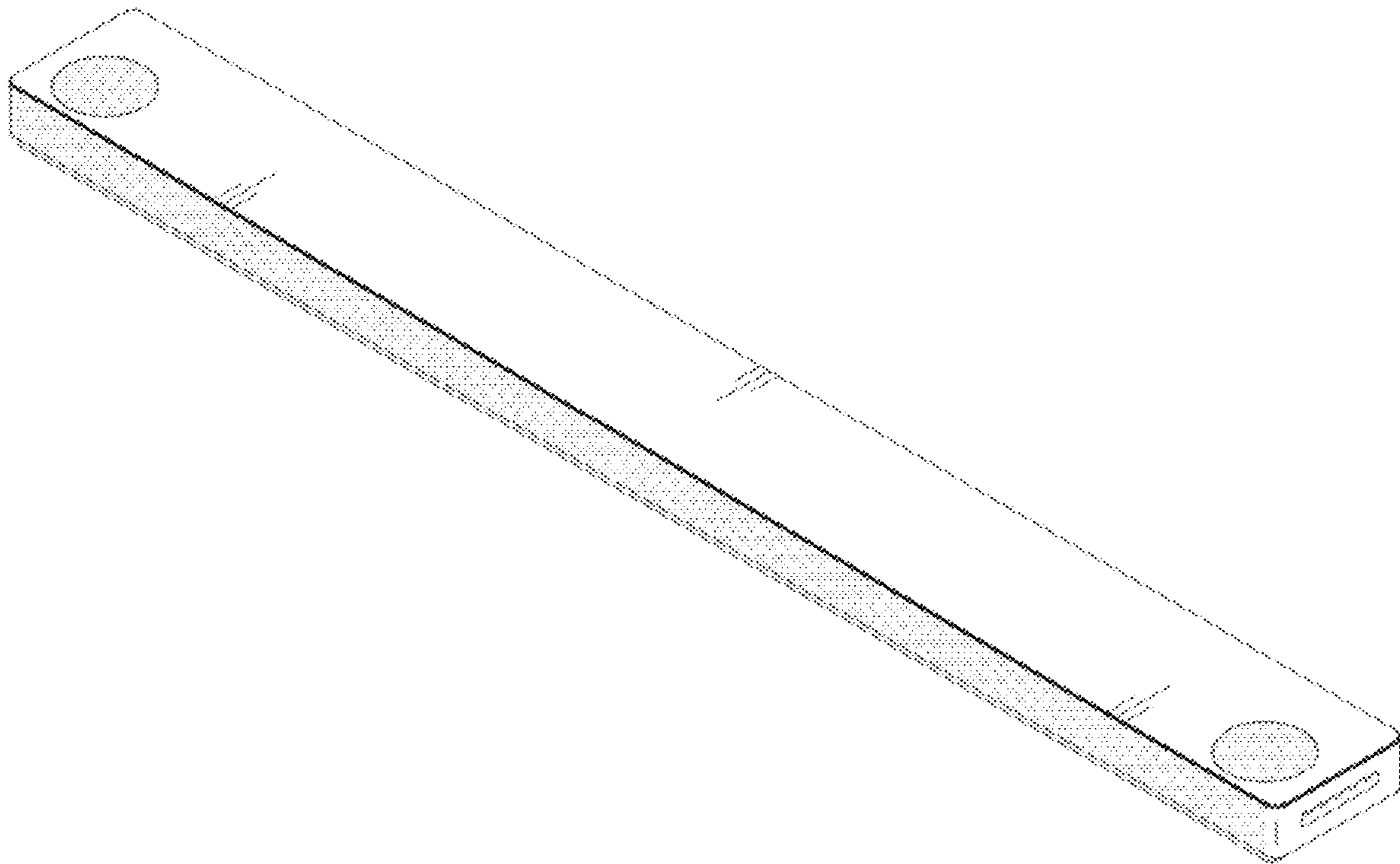
(56) **References Cited**

U.S. PATENT DOCUMENTS

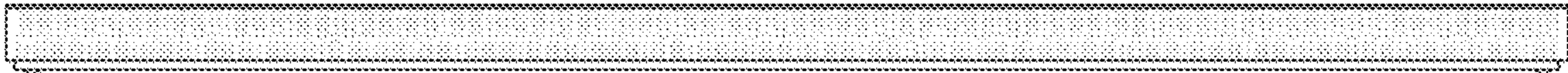
D791,736 S * 7/2017 Schoolmeester D14/214
D821,342 S * 6/2018 Kim D14/126
D824,352 S * 7/2018 Kim D14/126
D826,216 S * 8/2018 Schoolmeester D14/214
D826,891 S * 8/2018 Kim D14/204
D826,892 S * 8/2018 Kim D14/204
D835,605 S * 12/2018 Schoolmeester D14/214
D835,606 S * 12/2018 Won D14/215
D835,608 S * 12/2018 Kim D14/215
D836,607 S * 12/2018 Kim D14/216
2017/0079149 A1 * 3/2017 Lee H01L 51/524

* cited by examiner

1.1



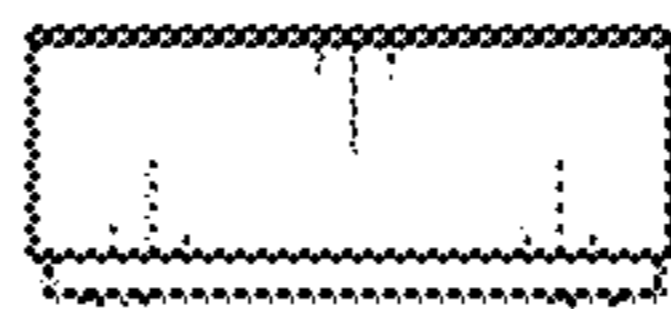
1.2



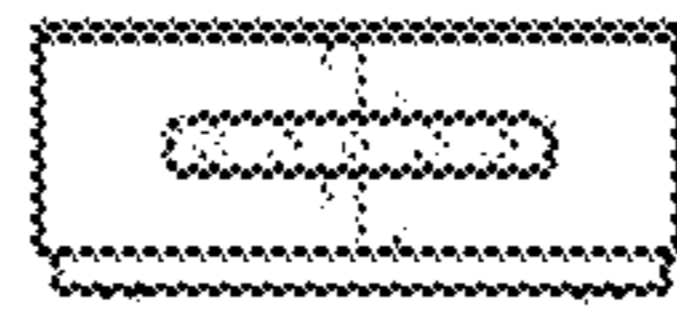
1.3



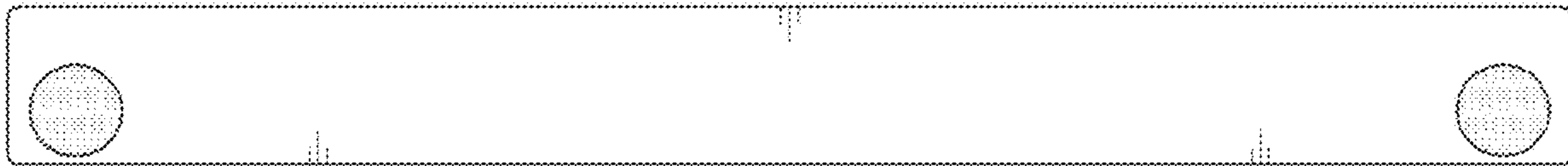
1.4



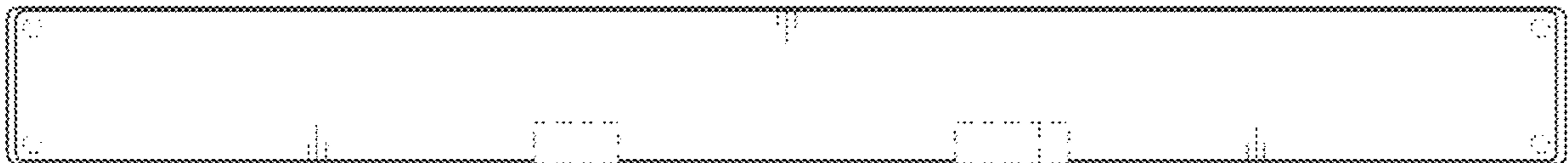
1.5



1.6



1.7



1.8

