



US00D869440S

(12) **United States Design Patent** (10) **Patent No.:** **US D869,440 S**
Lee et al. (45) **Date of Patent:** **** Dec. 10, 2019**

(54) **SPEAKER**

H04R 19/02; H04R 2400/00; H04R 2400/07; H04R 2400/11; G06F 1/16

See application file for complete search history.

(71) Applicant: **LG ELECTRONICS INC.**, Seoul (KR)

(56) **References Cited**

(72) Inventors: **Sangho Lee**, Seoul (KR); **Sooyoung Park**, Seoul (KR); **Sanghoon Yoon**, Seoul (KR)

U.S. PATENT DOCUMENTS

D509,316 S * 9/2005 Solari D26/104
D509,618 S * 9/2005 Baarman D26/106
D537,073 S * 2/2007 Peersman D14/213
D685,515 S * 7/2013 Hoppe D26/93

(Continued)

(73) Assignee: **LG Electronics Inc.**, Seoul (KR)

(**) Term: **15 Years**

FOREIGN PATENT DOCUMENTS

(21) Appl. No.: **35/505,780**

JP D1625575 * 2/2019
WO D100658-001 * 10/2018

(22) Filed: **Apr. 5, 2018**

OTHER PUBLICATIONS

(80) **Hague Agreement Data**

Int. Filing Date: **Apr. 5, 2018**

Int. Reg. No.: **DM/100658**

Int. Reg. Date: **Apr. 5, 2018**

Int. Reg. Pub. Date: **Oct. 5, 2018**

Dyson 303117-01 AM10 Humidifier, announced Jan. 18, 2017 [online], [retrieved Jul. 16, 2019]. Available from Internet, URL: <https://www.amazon.com/Dyson-303117-01-Humidifier-Hygienic-Complete/dp/B017FXMB0G/ref=sr_1_2?keywords=Dyson+303117-01+AM10+Humidifier&qid=1563580865&s=home-garden&sr=1-2> (Year: 2017).*

Primary Examiner — Barbara Fox

Assistant Examiner — Dana K Weiland

(74) *Attorney, Agent, or Firm* — Birch, Stewart, Kolasch & Birch, LLP

(30) **Foreign Application Priority Data**

Oct. 10, 2017 (KR) 30-2017-0046730

(51) **LOC (12) Cl.** **14-01**

(52) **U.S. Cl.**
USPC **D14/216**

(57) **CLAIM**

The ornamental design for a speaker, as shown and described.

(58) **Field of Classification Search**

USPC D14/204, 205, 206, 210–216, 221, 239, D14/249, 265, 209.1, 203.8, 253, 447, D14/192, 223, 224, 199, 372, 225, 226; D21/513, 516; D26/93; D29/112

CPC . B60R 11/0217; B60R 11/0223; H04R 1/023; H04R 1/025; H04R 1/323; H04R 5/02;

DESCRIPTION

1. Speaker

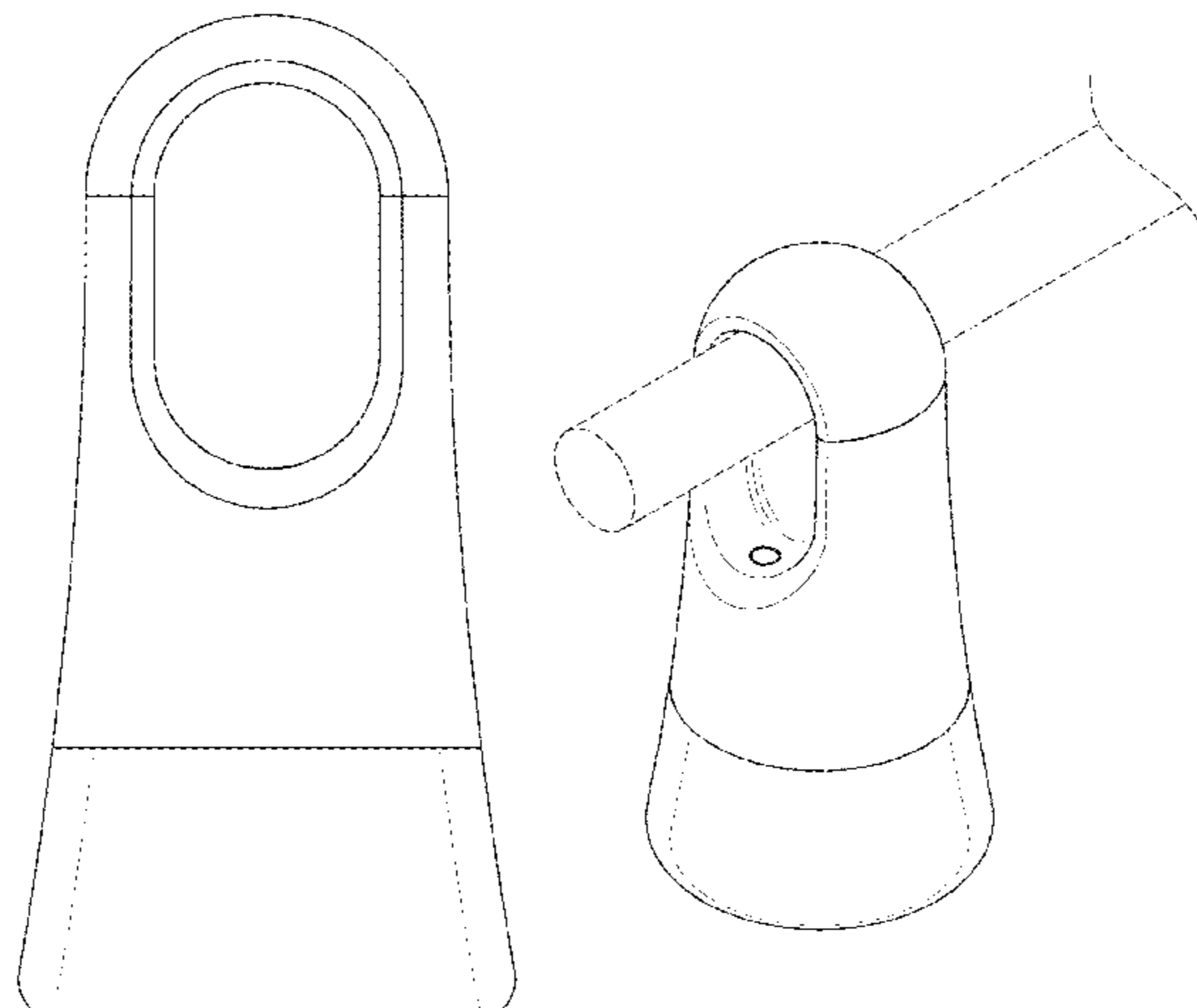
1.1 is a perspective view of a speaker showing the new design;

1.2 is a front view thereof;

1.3 is a back view thereof;

1.4 is a left side view thereof;

(Continued)



1.5 is a right side view thereof;
1.6 is a top view thereof;
1.7 is a bottom view thereof; and
1.8 is a perspective view, shown in a state of use with environment.

The broken lines shown in FIGS. 1.3-1.6 depict portions of the speaker that form no part of the claimed design; the broken lines shown in FIG. 1.8 show environment that forms no part of the claimed design.

1 Claim, 6 Drawing Sheets

(56)

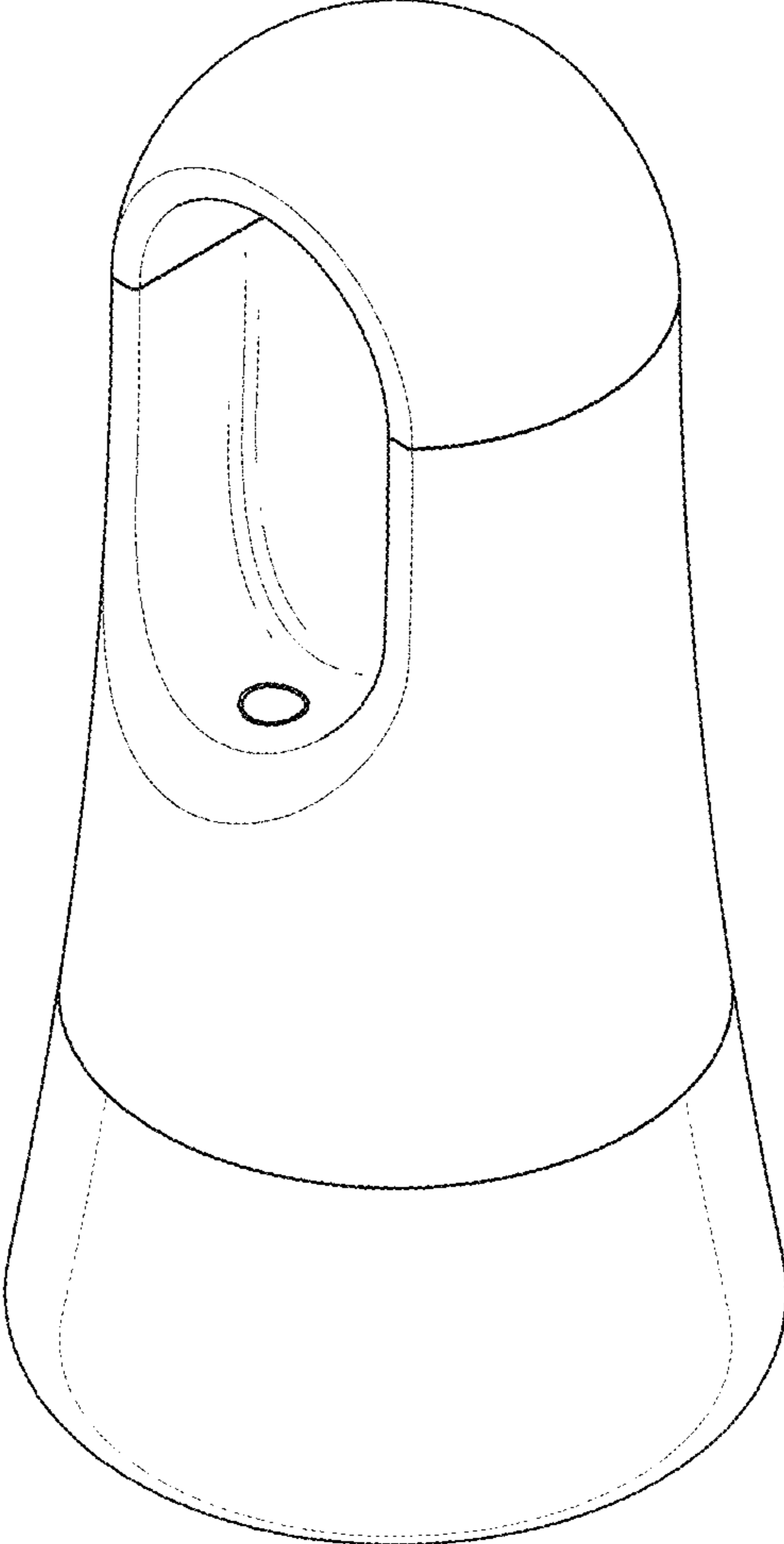
References Cited

U.S. PATENT DOCUMENTS

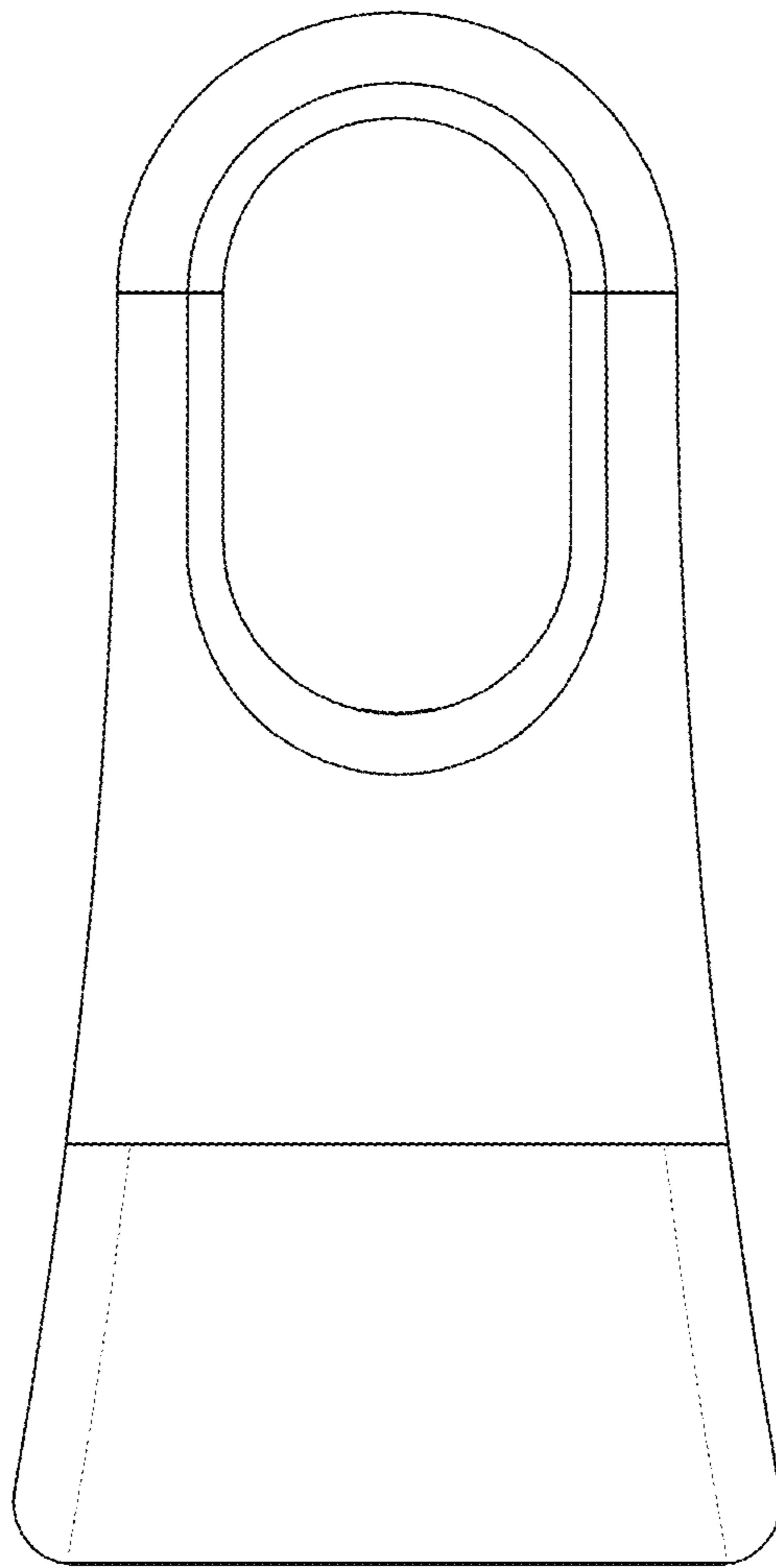
D718,480 S *	11/2014	Lee	D26/41
D719,448 S *	12/2014	Pires	D9/504
D723,514 S *	3/2015	Lukic	D14/213
D746,425 S *	12/2015	Dyson	D23/356
D773,704 S *	12/2016	Pardo	D26/41
D782,445 S *	3/2017	Ahn	D14/216
D783,872 S *	4/2017	Aksnes	D26/41
D808,572 S *	1/2018	Zhang	D26/106
D808,928 S *	1/2018	Schaal	D14/216
D810,280 S *	2/2018	Tharp	D24/112
D813,210 S *	3/2018	Benedetti	D14/230
D829,689 S *	10/2018	Kim	D14/216
D836,602 S *	12/2018	Huang	D14/210
D838,273 S *	1/2019	Memke	D14/426
D846,598 S *	4/2019	Wang	D14/496
D857,959 S *	8/2019	Yu	D26/41

* cited by examiner

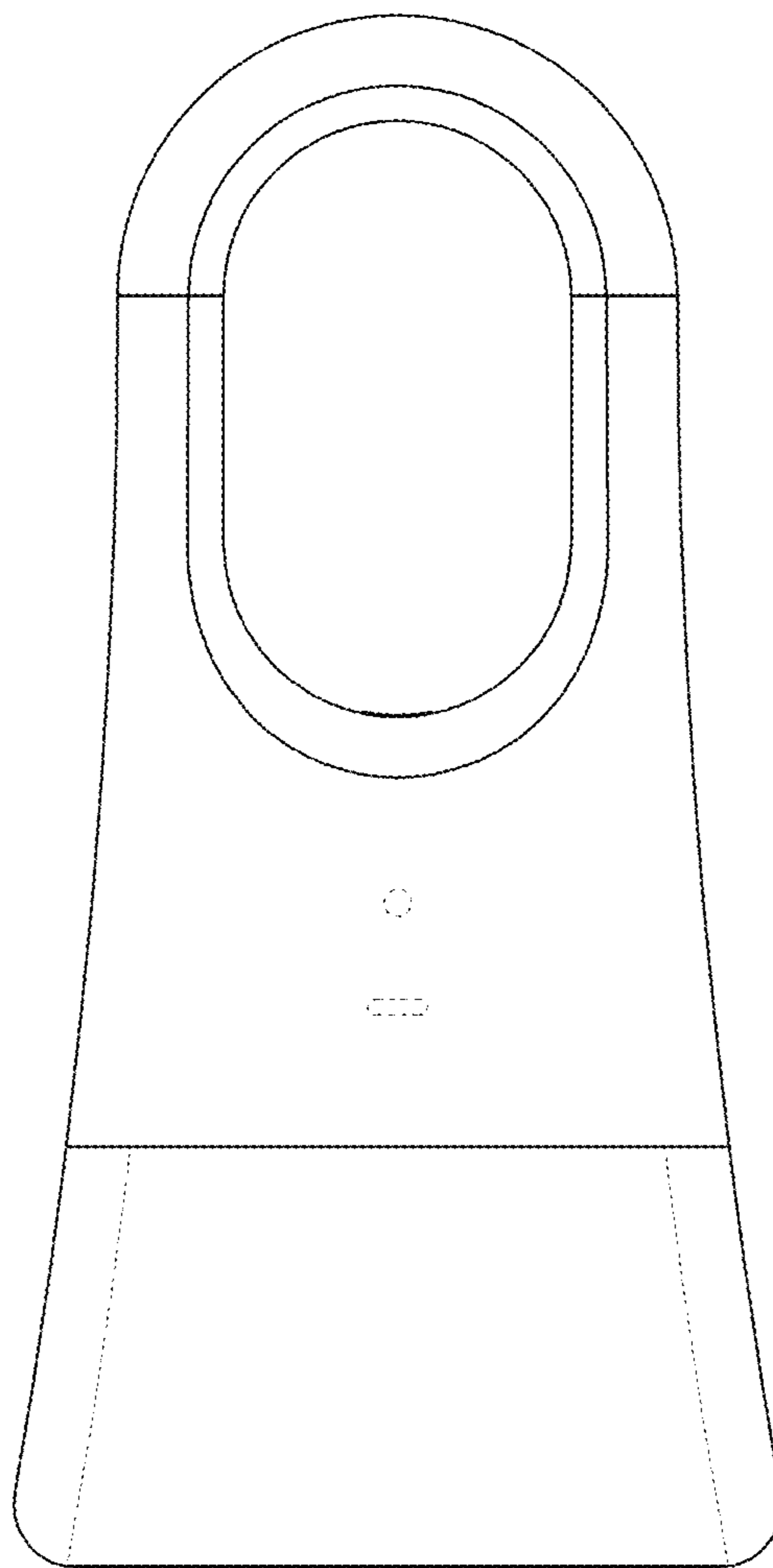
1.1



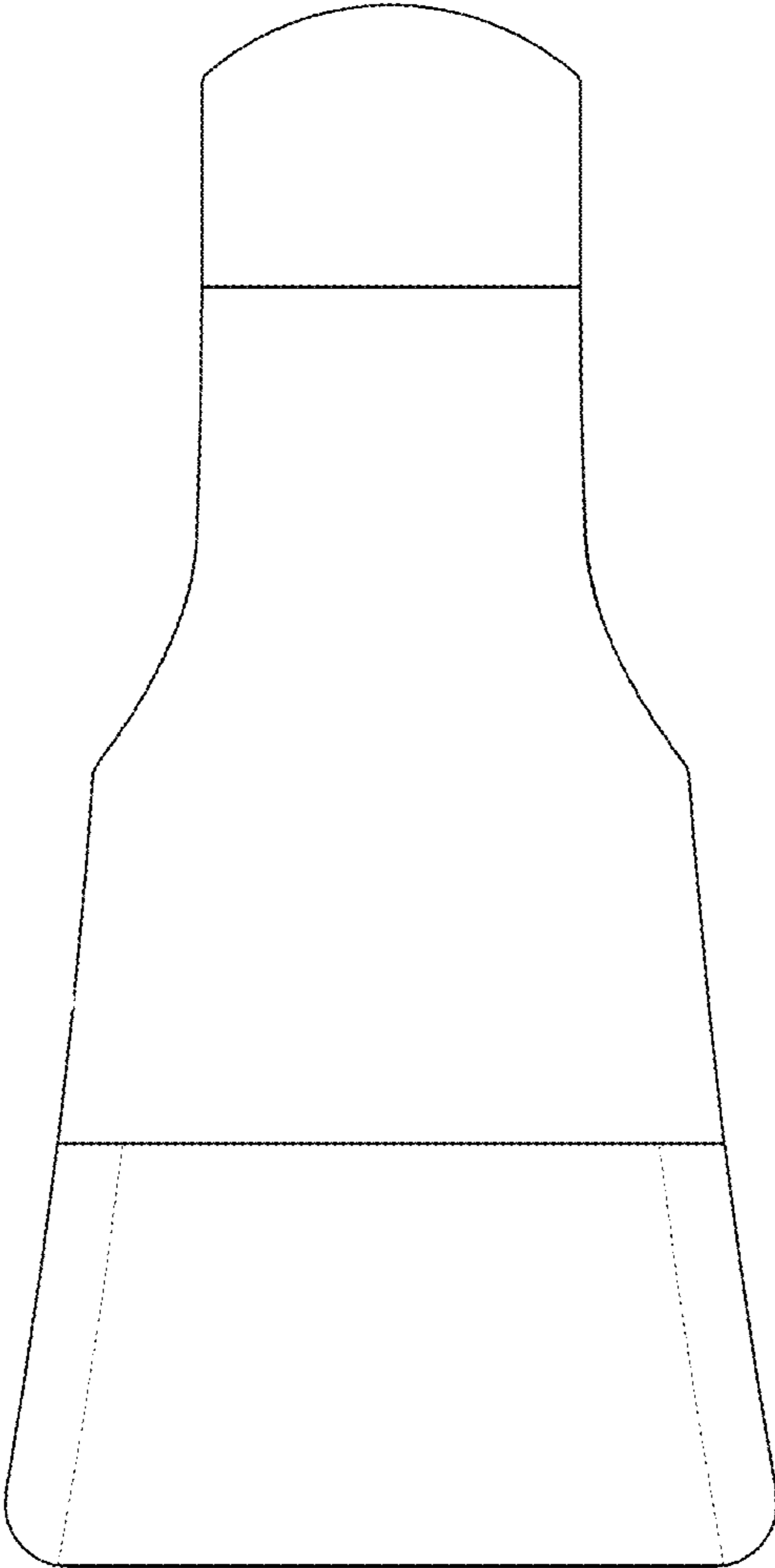
1.2



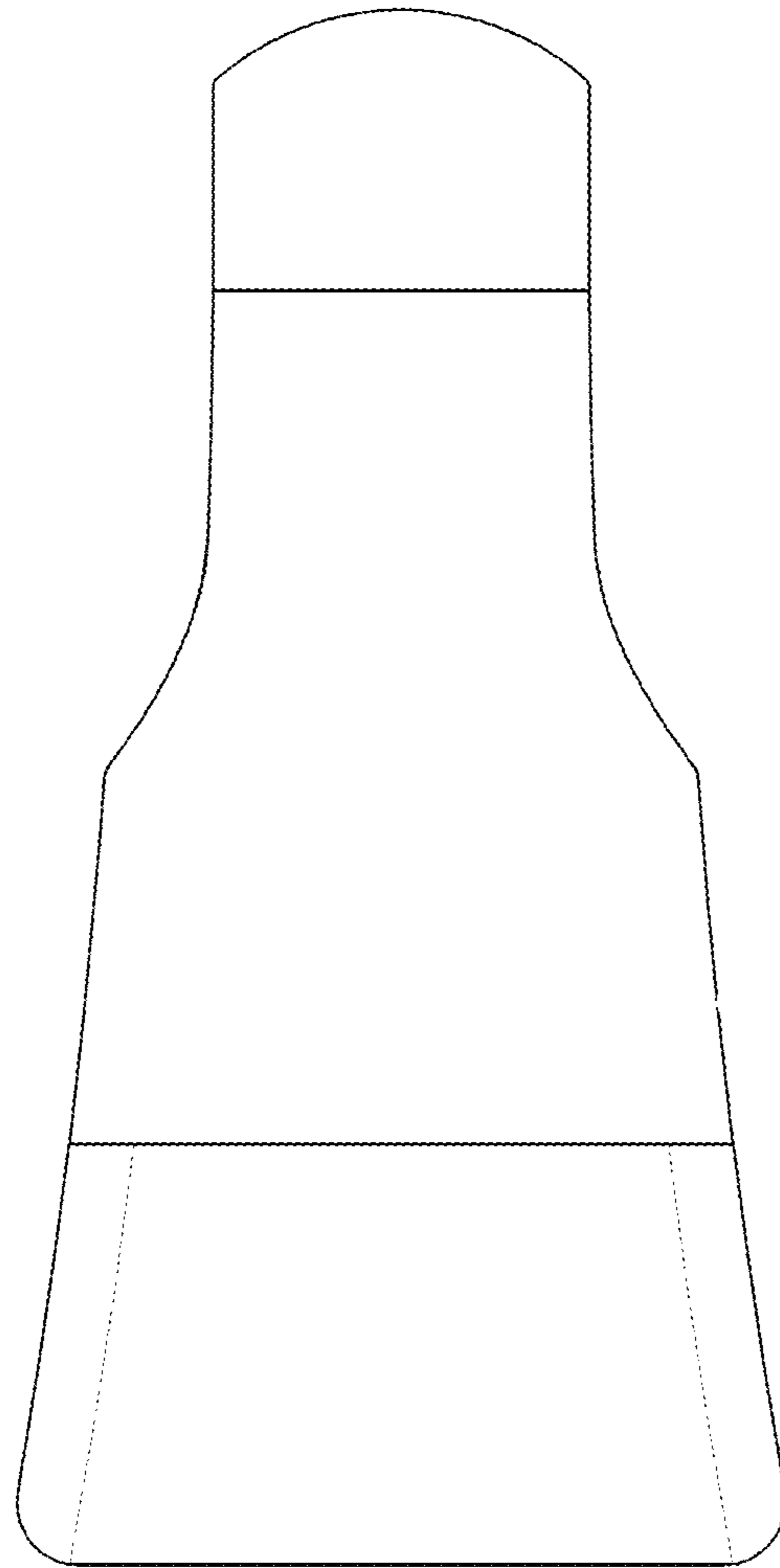
1.3



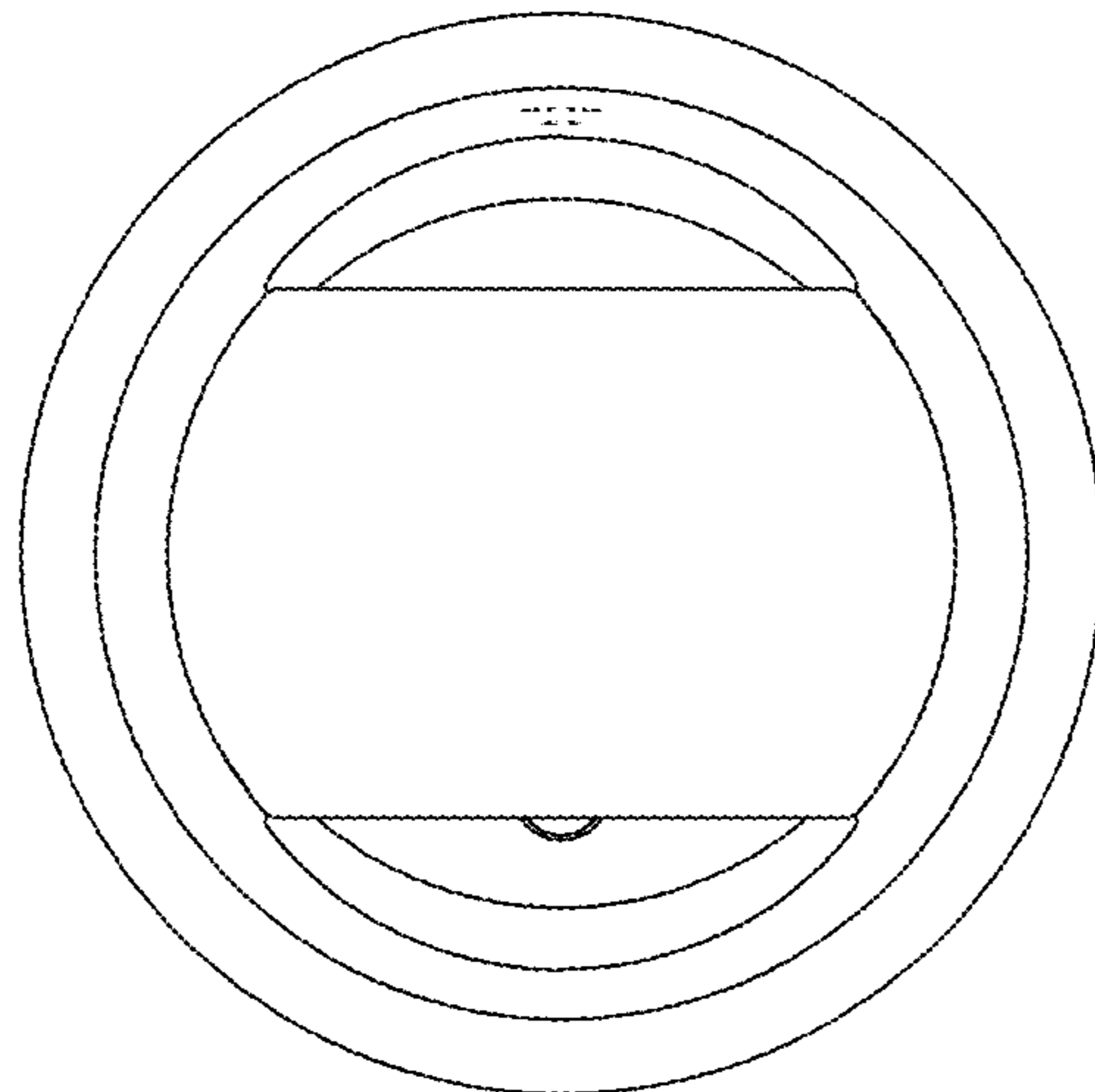
1.4



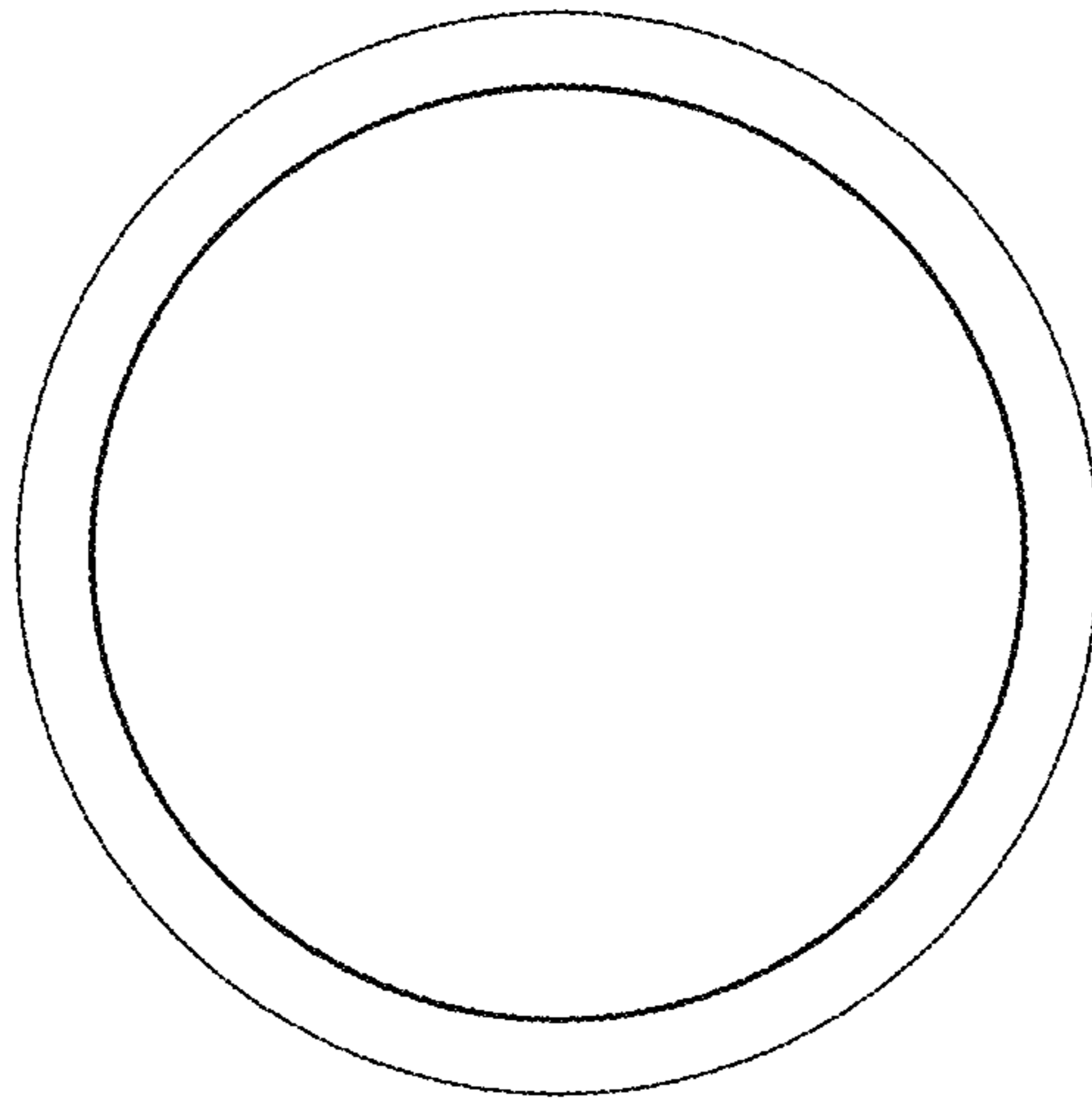
1.5



1.6



1.7



1.8

