



US00D869436S

(12) **United States Design Patent**
Fubing et al.

(10) **Patent No.:** **US D869,436 S**

(45) **Date of Patent:** **** Dec. 10, 2019**

(54) **HEADPHONE**

(71) Applicant: **SHENZHEN GRANDSUN ELECTRONIC CO., LTD.**, Shenzhen, Guangdong (CN)

(72) Inventors: **Mei Fubing**, Shenzhen (CN); **Wu Haiquan**, Shenzhen (CN); **Zhou Shiyong**, Shenzhen (CN); **Yoshinari Okamoto**, Shenzhen (CN); **Peng Jiugao**, Shenzhen (CN); **Shi Ruiwen**, Shenzhen (CN)

(73) Assignee: **SHENZHEN GRANDSUN ELECTRONIC CO., LTD.**, Shenzhen, Guangdong (CN)

(**) Term: **15 Years**

(21) Appl. No.: **29/659,509**

(22) Filed: **Aug. 9, 2018**

(51) **LOC (12) Cl.** **14-01**

(52) **U.S. Cl.**
USPC **D14/205**

(58) **Field of Classification Search**
USPC D14/205, 188, 192; D29/112; 2/209; 181/129, 130, 135; 379/430, 431; 381/380, 381, 370, 374; 455/90.3, 575.1, 455/569.1
CPC H04R 25/00; H04R 1/1066; H04R 1/1016; H04R 5/033; H04R 5/0335; H04R 1/1041
See application file for complete search history.

(56) **References Cited**

U.S. PATENT DOCUMENTS

D254,183 S * 2/1980 Doodson D14/205
D270,634 S * 9/1983 Ungar D14/205
4,634,816 A * 1/1987 O'Malley H04M 1/05
379/430
D310,081 S * 8/1990 Daido D14/205
D316,861 S * 5/1991 Yoda D14/205

D323,167 S * 1/1992 Yamazaki D14/205
D338,010 S * 8/1993 Yamatogi D14/205
D348,465 S * 7/1994 Yamatogi D14/205
D358,389 S * 5/1995 Isono D14/205
D373,360 S * 9/1996 Kanno D14/205
D377,021 S * 12/1996 Isono D14/205
D405,449 S * 2/1999 Nakamura D14/205
D431,550 S * 10/2000 Yoneda D14/205
6,154,539 A * 11/2000 Pitel H04M 1/05
379/430
D448,751 S * 10/2001 Pham D14/206
D453,015 S * 1/2002 Yuyama D14/192
7,072,483 B2 * 7/2006 Lenhard-Backhaus
H04R 1/1066
381/370

(Continued)

FOREIGN PATENT DOCUMENTS

EM 005310299-0001 * 6/2018

Primary Examiner — Paula Allen Greene

(74) *Attorney, Agent, or Firm* — Conley Rose, P.C.; Grant Rodolph

(57) **CLAIM**

The ornamental design for a headphone, as shown and described.

DESCRIPTION

FIG. 1 is a first perspective view of a headphone; FIG. 2 is a second perspective view thereof; FIG. 3 is a front view thereof; FIG. 4 is a rear view thereof; FIG. 5 is a left side view thereof; FIG. 6 is a right side view thereof; FIG. 7 is a top view thereof; and, FIG. 8 is a bottom view thereof.
The design which is claimed is shown in solid lines in the drawings. The broken lines shown in the drawings depict portions of the environment, and form no part of the claimed design.

1 Claim, 8 Drawing Sheets



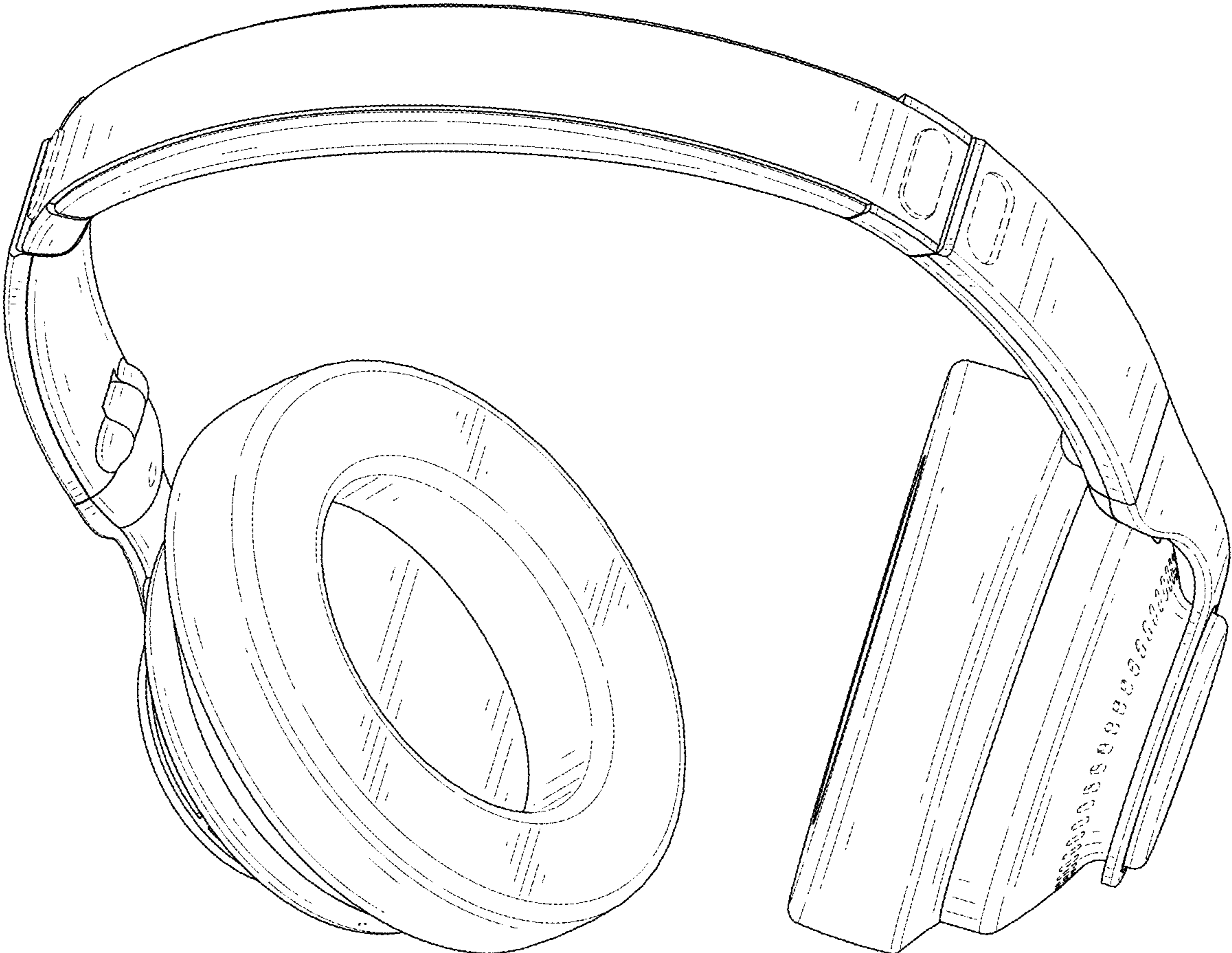


FIG. 1



FIG. 2



FIG. 3



FIG. 4

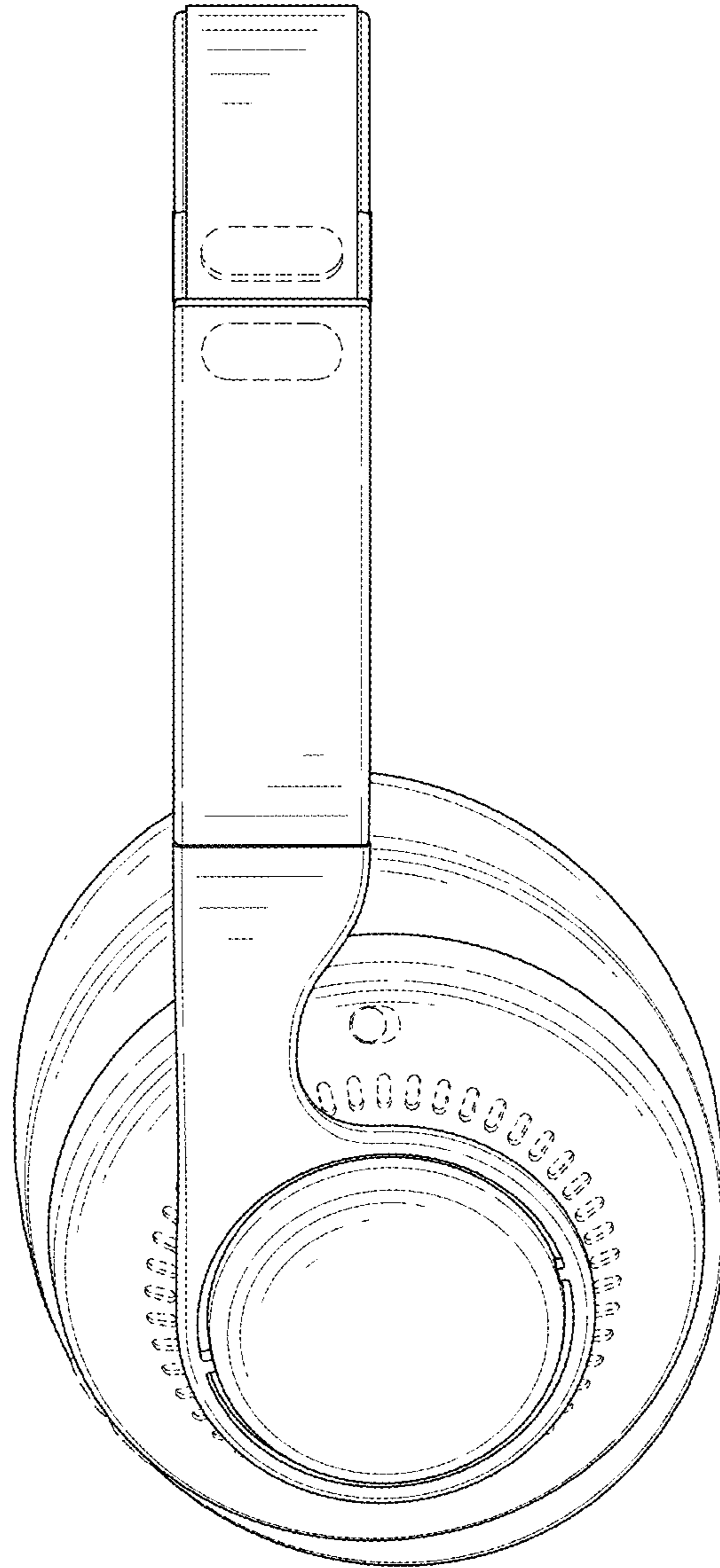


FIG. 5

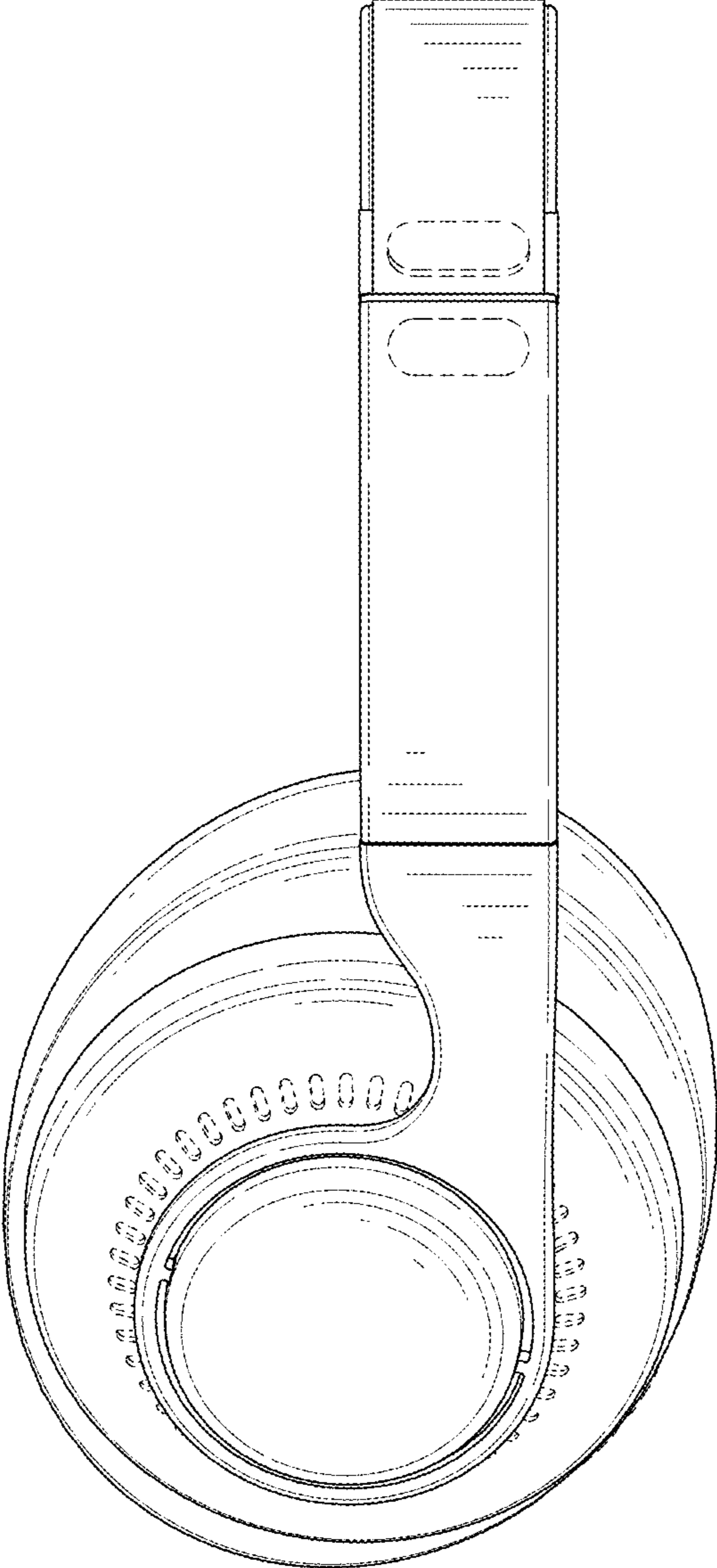


FIG. 6

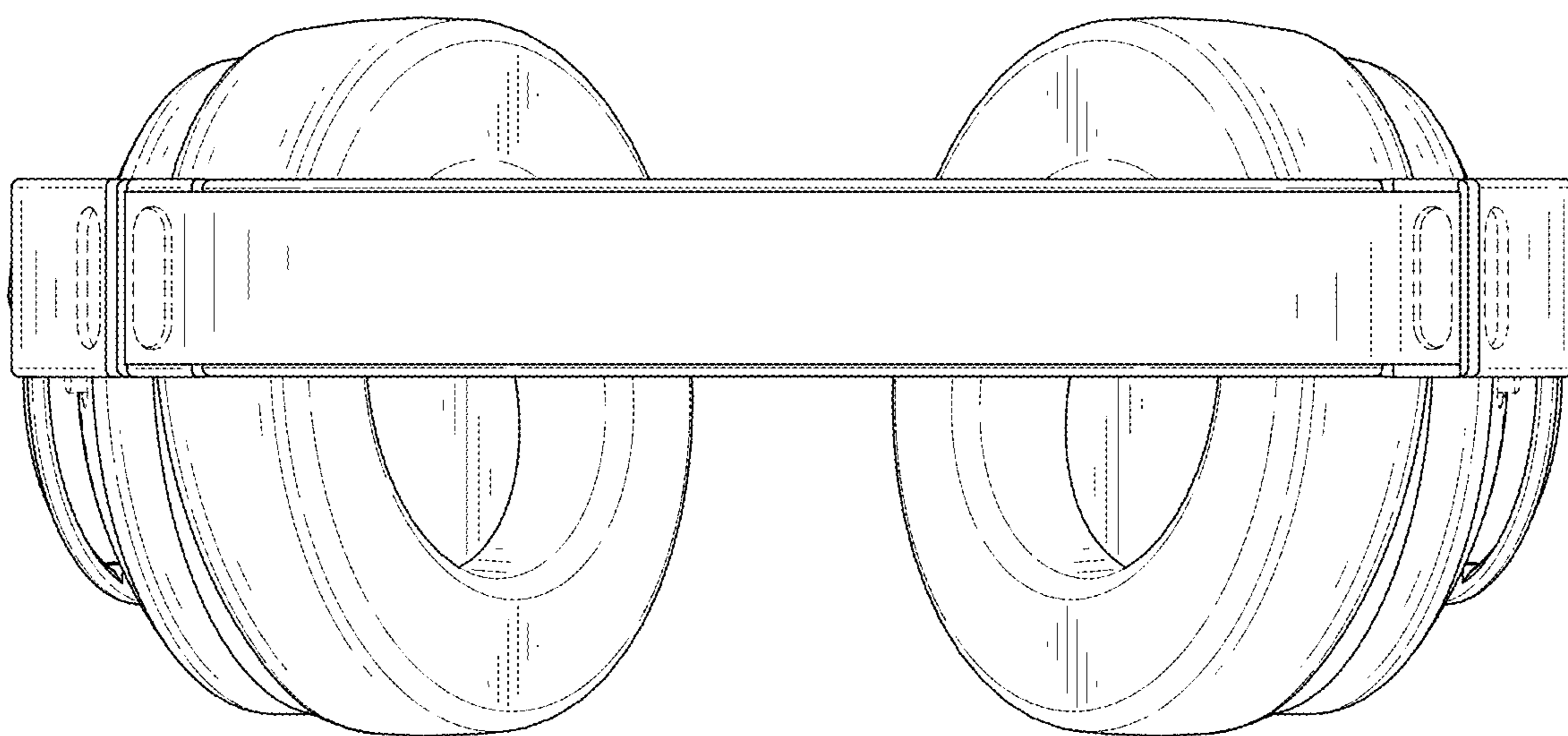


FIG. 7

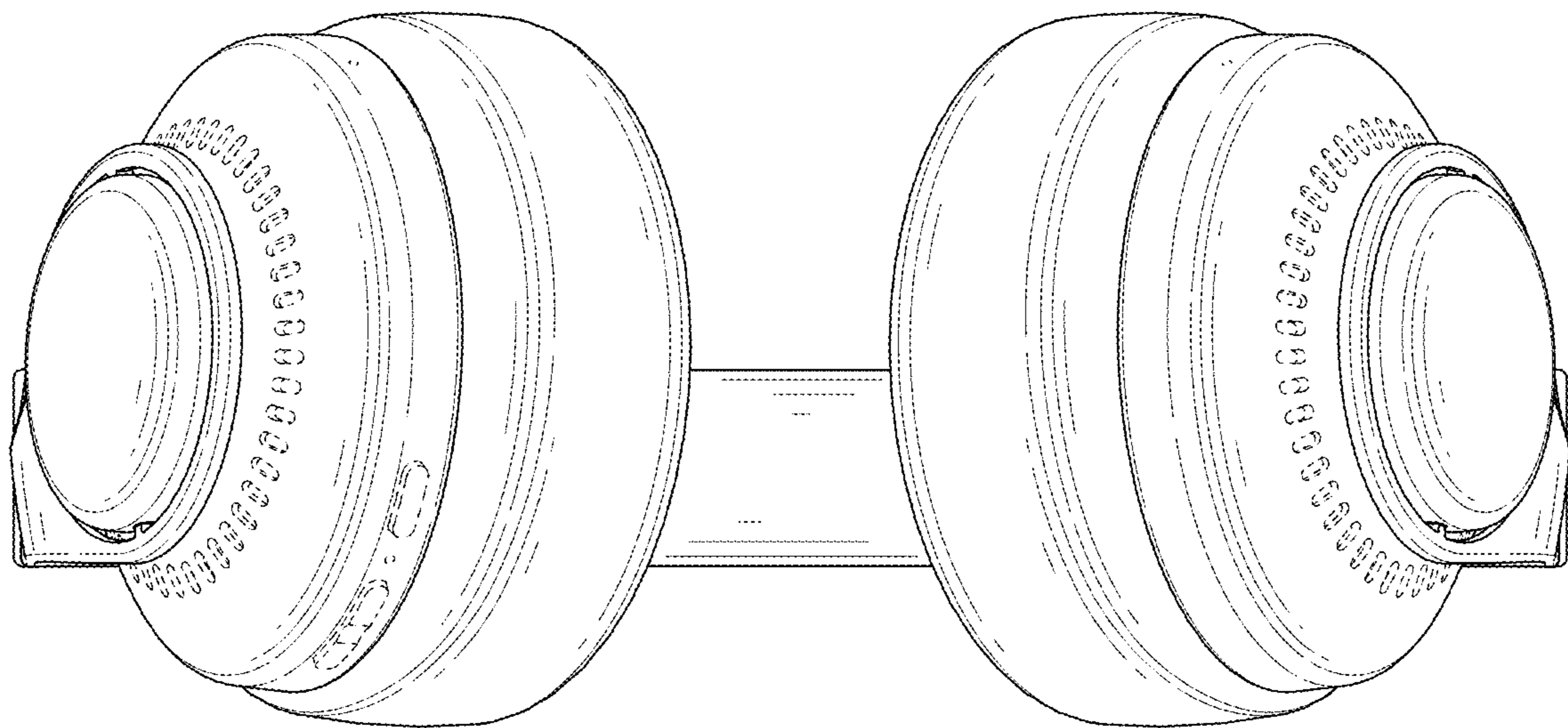


FIG. 8