



US00D869434S

(12) **United States Design Patent**
Biao et al.

(10) **Patent No.:** **US D869,434 S**

(45) **Date of Patent:** **** Dec. 10, 2019**

(54) **SPORT EARPHONE**

(71) Applicant: **SHENZHEN GRANDSUN ELECTRONIC CO., LTD.**, Shenzhen, Guangdong (CN)

(72) Inventors: **Sheng Biao**, Shenzhen (CN); **Wu Haiquan**, Shenzhen (CN); **Zhou Shiyong**, Shenzhen (CN); **Yoshinari Okamoto**, Shenzhen (CN); **Peng Jiugao**, Shenzhen (CN); **Shi Ruiwen**, Shenzhen (CN)

(73) Assignee: **SHENZHEN GRANDSUN ELECTRONIC CO., LTD.**, Shenzhen, Guangdong (CN)

(**) Term: **15 Years**

(21) Appl. No.: **29/659,506**

(22) Filed: **Aug. 9, 2018**

(51) **LOC (12) Cl.** **14-01**

(52) **U.S. Cl.**
USPC **D14/205**

(58) **Field of Classification Search**
USPC D14/205, 223, 218; 181/129, 130, 135; 379/430, 431; 381/380, 381, 374; 455/90.3, 575.1, 569.1
CPC H04R 1/1033; H04R 1/10; H04R 1/105; H04R 1/1091; H04R 1/1066; H04R 1/1016; H04R 5/033; H04R 5/0335
See application file for complete search history.

(56) **References Cited**

U.S. PATENT DOCUMENTS

D278,234 S * 4/1985 Saito D14/205
D318,670 S * 7/1991 Taniguchi D14/205
D334,043 S * 3/1993 Taniguchi D14/218
D433,404 S * 11/2000 Thakur D14/218
D435,580 S * 12/2000 Grinkus D14/218

D473,217 S * 4/2003 Rivera D14/223
D519,108 S * 4/2006 Yang D14/223
D539,782 S * 4/2007 Lee D14/188
D587,681 S * 3/2009 Yanai D14/205
D599,778 S * 9/2009 Ando D14/205
D605,628 S * 12/2009 Ando D14/205
D607,875 S * 1/2010 Pedersen, II H04R 1/1033
D14/206
D656,492 S * 3/2012 Huang D14/205
D666,581 S * 9/2012 Perez D14/223
D681,001 S * 4/2013 Murchison D14/205
D683,334 S * 5/2013 Gondo D14/223
D684,953 S * 6/2013 Schaal D14/205
D685,764 S * 7/2013 Coulter D14/205
D698,750 S * 2/2014 Yoon D14/205

(Continued)

FOREIGN PATENT DOCUMENTS

EM 005609757-0001 * 8/2018

Primary Examiner — Paula Allen Greene

(74) *Attorney, Agent, or Firm* — Conley Rose, P.C.; Grant Rodolph

(57) **CLAIM**

The ornamental design for a sport earphone, as shown and described.

DESCRIPTION

FIG. 1 is a first perspective view of a sport earphone;

FIG. 2 is a front view thereof;

FIG. 3 is a rear view thereof;

FIG. 4 is a left side view thereof;

FIG. 5 is a right side view thereof;

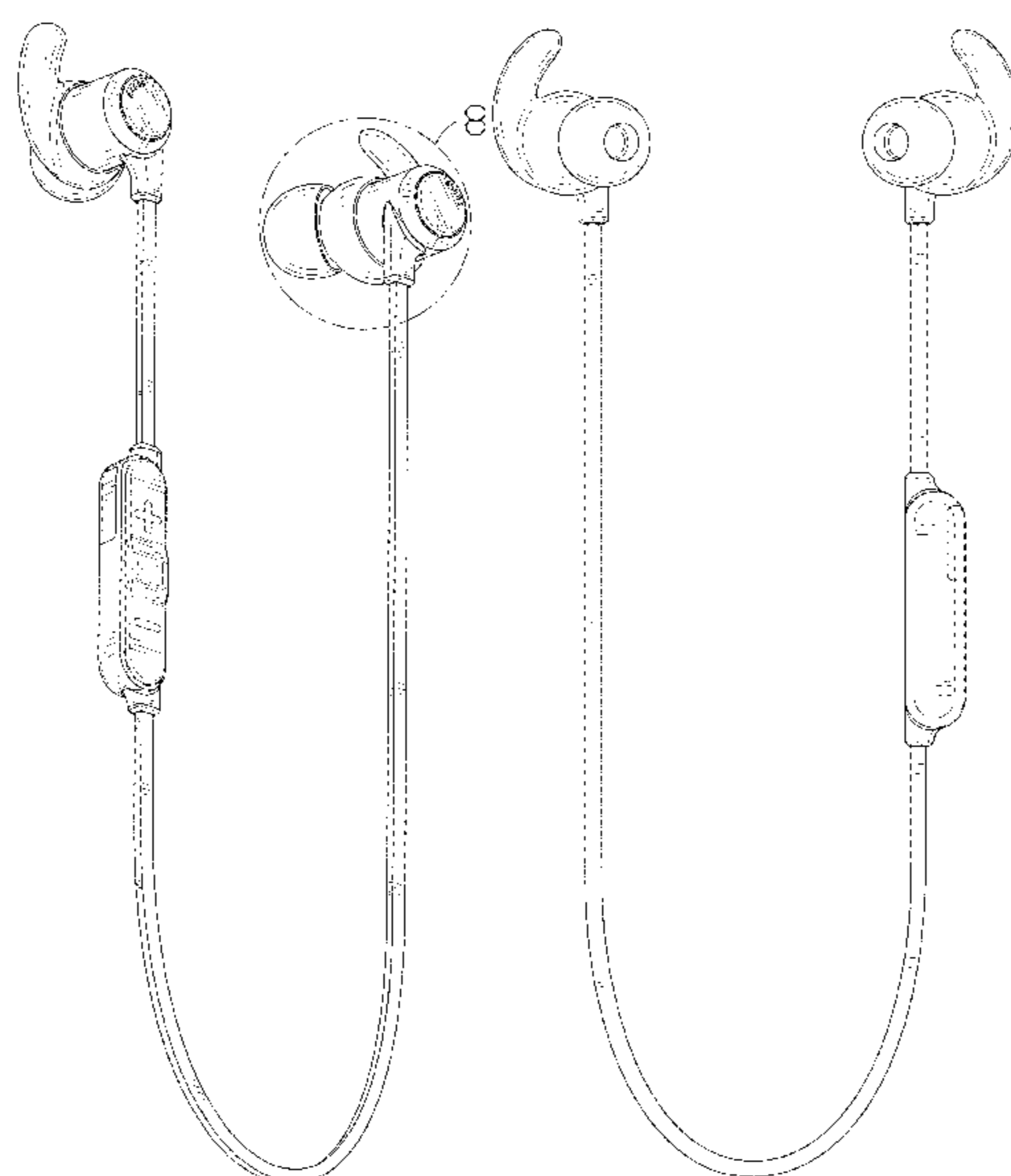
FIG. 6 is a top view thereof;

FIG. 7 is a bottom view thereof; and,

FIG. 8 is a partially enlarged view of FIG. 1.

The design which is claimed is shown in solid lines in the drawings. The broken lines shown in the drawings depict portions of the environment, and form no part of the claimed design.

1 Claim, 8 Drawing Sheets



(56)

References Cited

U.S. PATENT DOCUMENTS

D712,371 S * 9/2014 Henning D14/205
 D715,253 S * 10/2014 Lee D14/205
 D716,272 S * 10/2014 Yang D14/223
 D722,040 S * 2/2015 Tan D14/205
 D726,145 S * 4/2015 Hsieh D14/205
 D727,871 S * 4/2015 Orbach D14/205
 D731,456 S * 6/2015 Dahlberg D14/205
 D743,381 S * 11/2015 Pi D14/218
 D758,353 S * 6/2016 Akana D14/218
 D764,436 S * 8/2016 Dryden D14/205
 D776,083 S * 1/2017 Lee D14/205
 D777,138 S * 1/2017 Fletcher D14/205
 D777,139 S * 1/2017 Fletcher D14/205
 D782,998 S * 4/2017 Shin D14/205
 D786,216 S * 5/2017 Silva D14/205
 D793,995 S * 8/2017 Nakagawa D14/218
 D810,720 S * 2/2018 Lee D14/205
 D812,038 S * 3/2018 Nakajima D14/205
 D816,059 S * 4/2018 Liu D14/205
 D817,301 S * 5/2018 Aoyagi D14/205
 D820,239 S * 6/2018 Yoshimura D14/223
 D820,810 S * 6/2018 Levine D14/205
 D821,999 S * 7/2018 Guo D14/205
 D838,259 S * 1/2019 Samrelius D14/223

D839,238 S * 1/2019 Hu D14/205
 D840,972 S * 2/2019 Luo D14/205
 D850,407 S * 6/2019 Li D14/205
 D855,581 S * 8/2019 Li D14/205
 2009/0296975 A1 * 12/2009 Uchida H04R 1/1091
 381/370
 2010/0104126 A1 * 4/2010 Greene H01B 7/225
 381/384
 2011/0142276 A1 * 6/2011 Uchida H04R 1/1075
 381/370
 2012/0170789 A1 * 7/2012 Lin H04R 1/1033
 381/384
 2013/0170692 A1 * 7/2013 Kaneko H04R 1/1016
 381/380
 2014/0133671 A1 * 5/2014 Son H04R 5/0335
 381/74
 2014/0138150 A1 * 5/2014 Huang H04R 1/1033
 174/71 R
 2014/0233746 A1 * 8/2014 Tanaka H04R 1/1016
 381/66
 2016/0073186 A1 * 3/2016 Searl H04R 1/1016
 381/380
 2016/0261946 A1 * 9/2016 Chen H04R 1/1016
 2018/0027318 A1 * 1/2018 Witt H04R 1/1016
 381/182

* cited by examiner

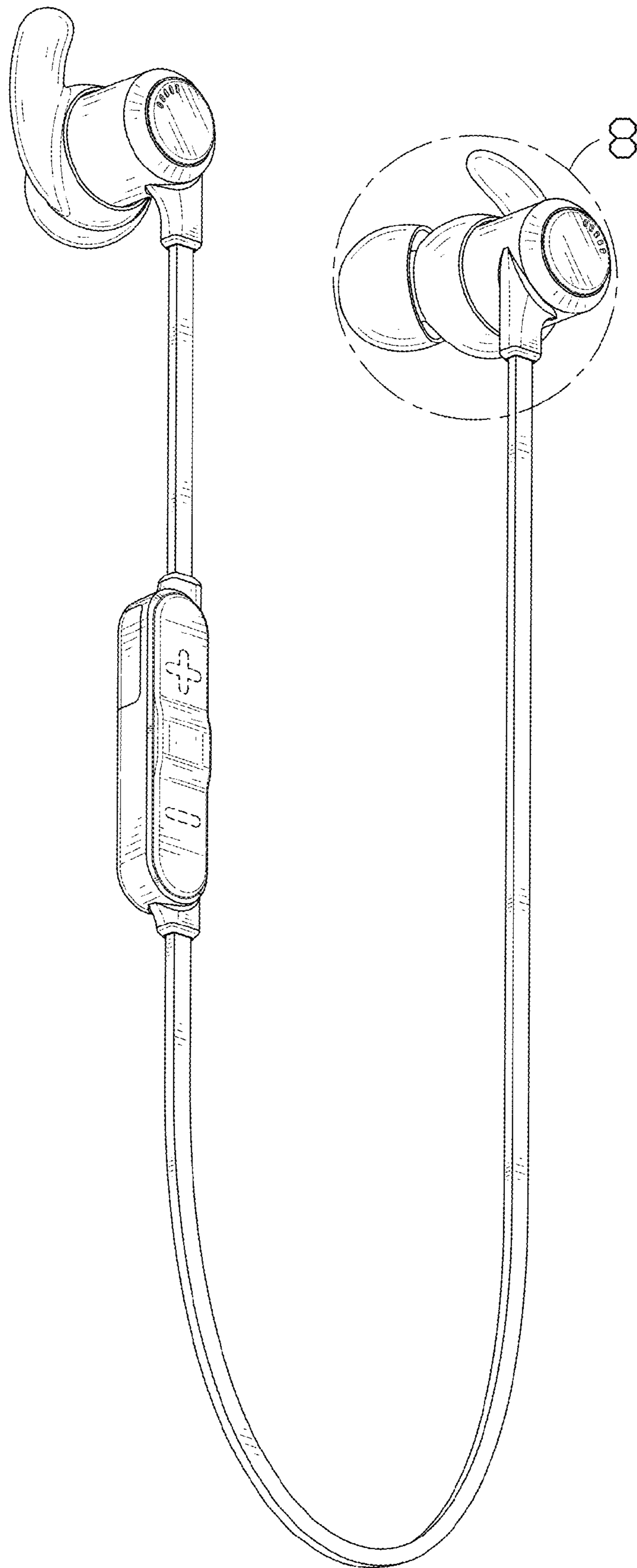


FIG. 1

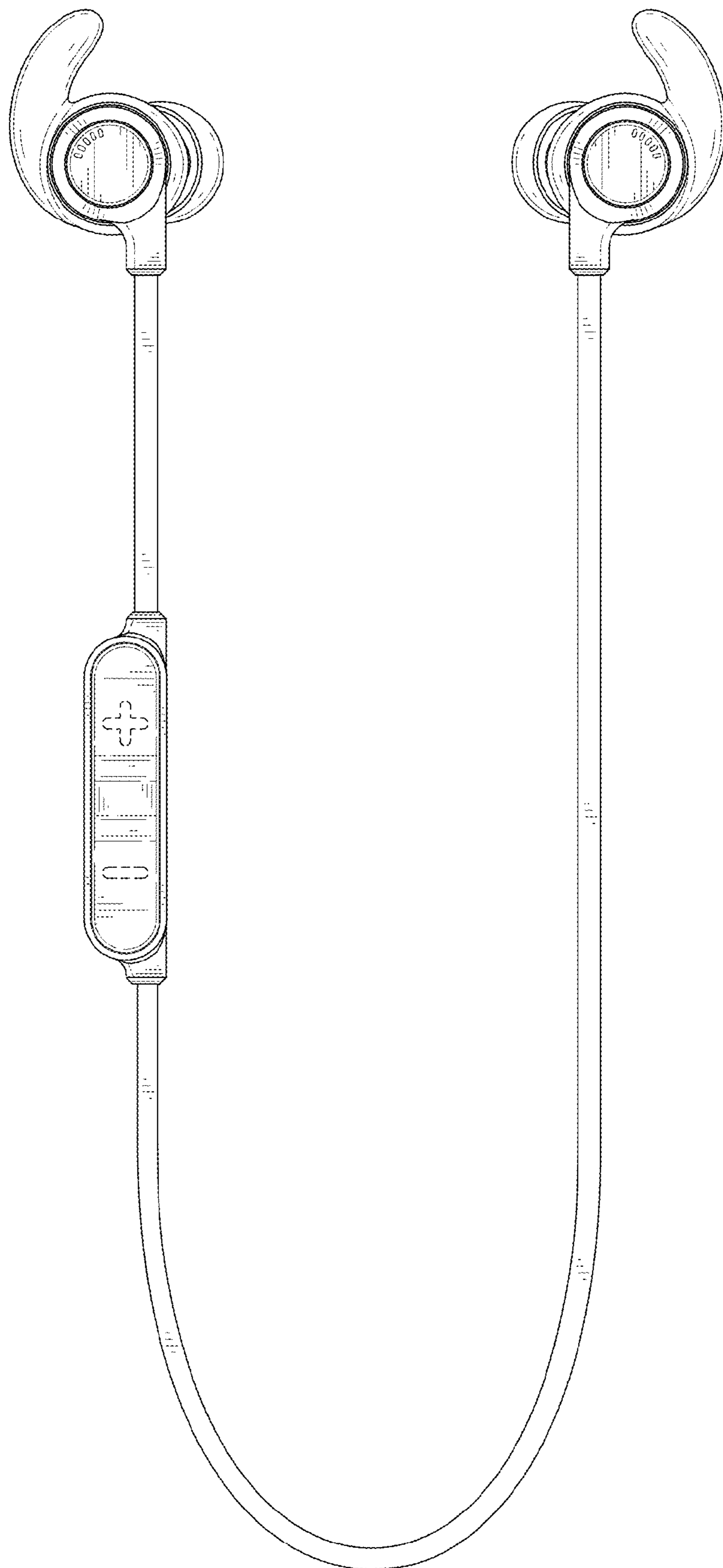


FIG. 2

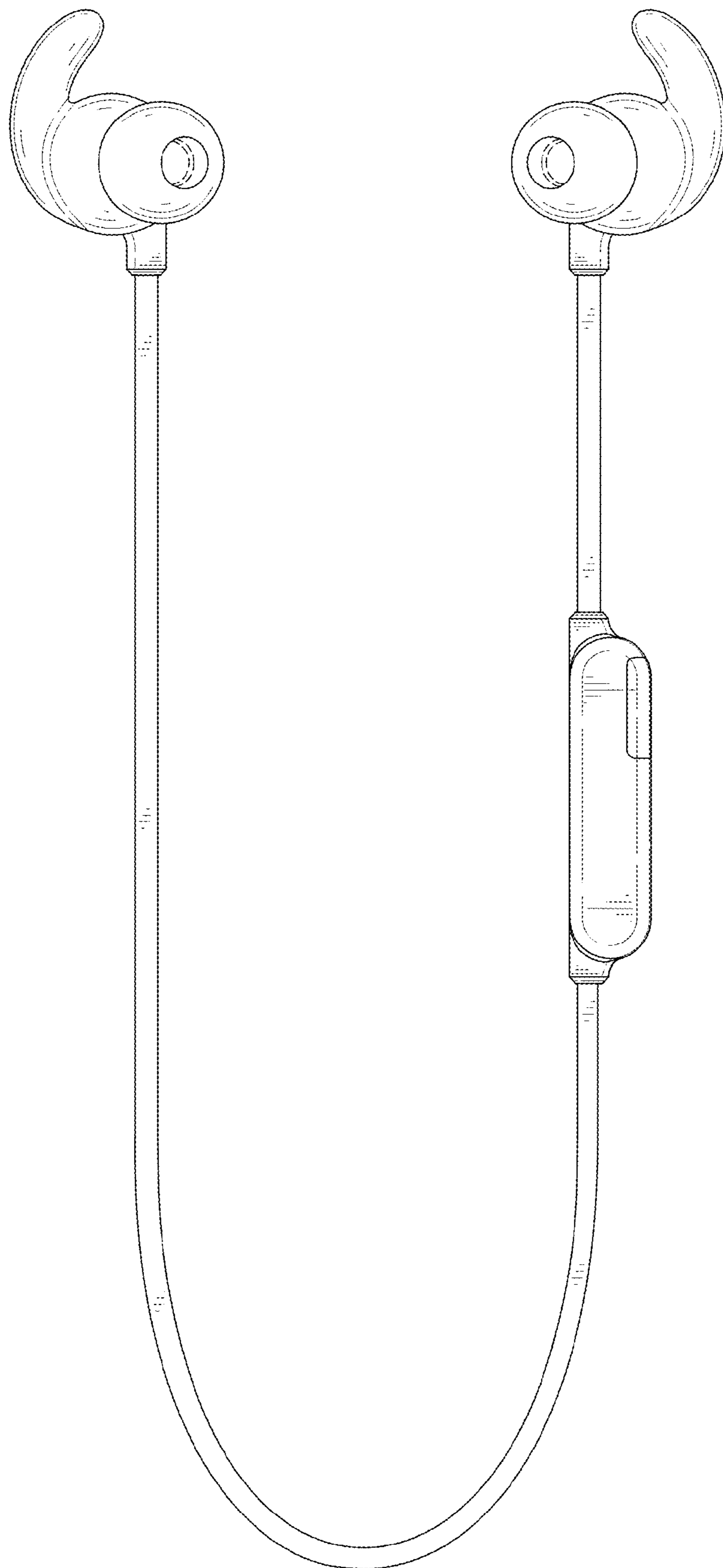


FIG. 3

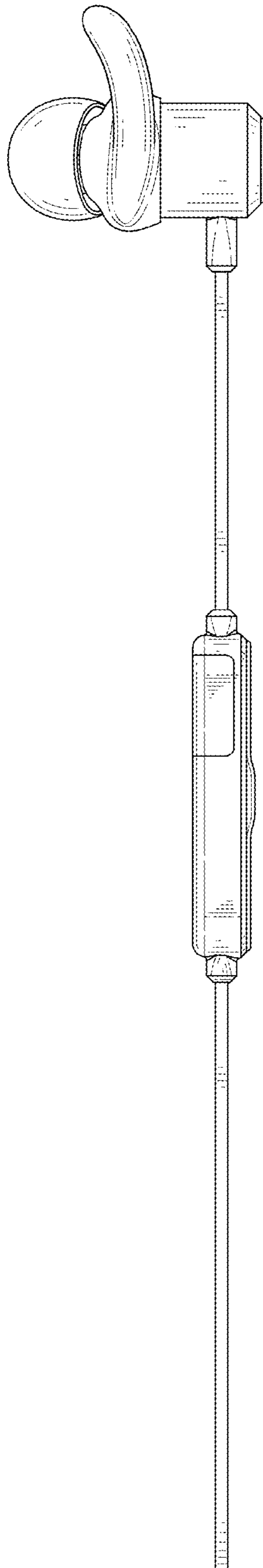


FIG. 4

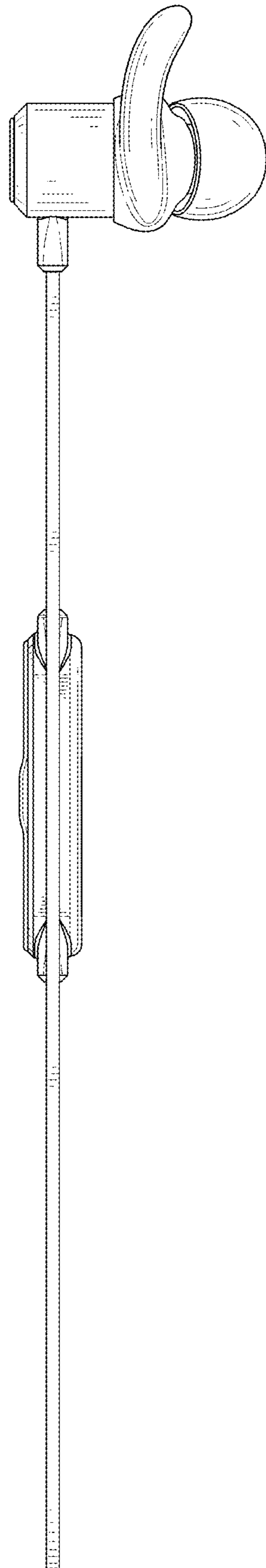


FIG. 5

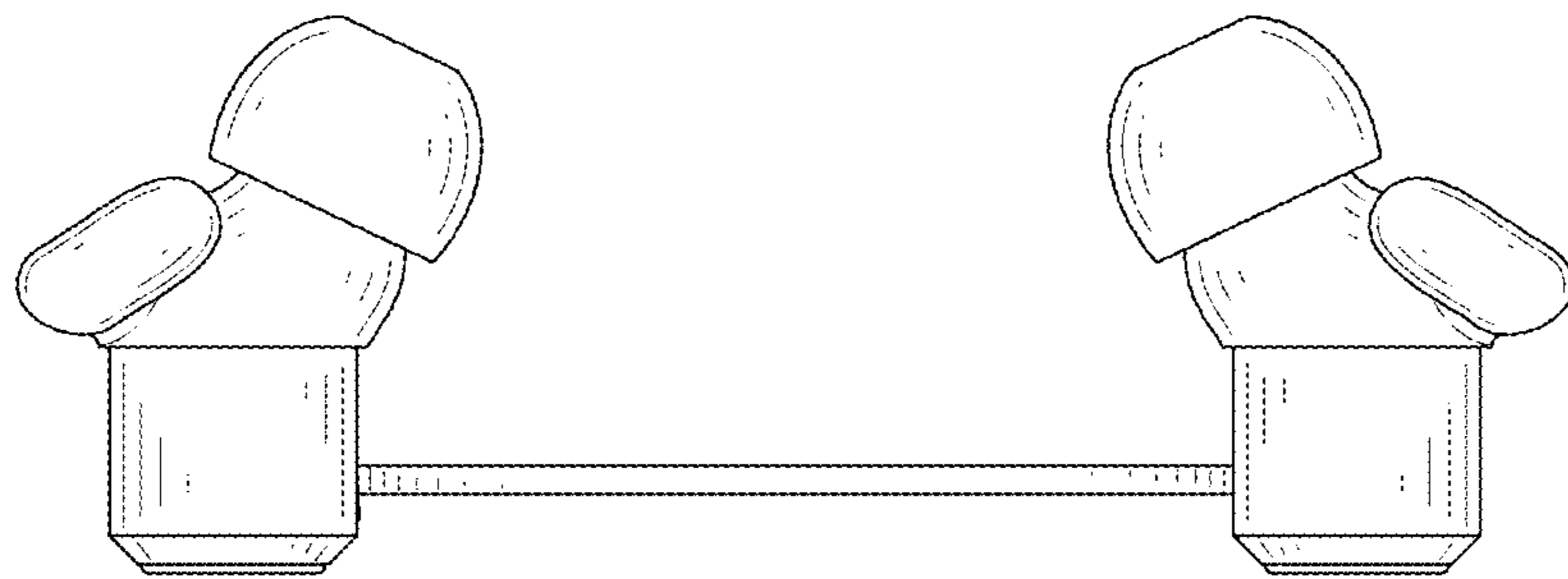


FIG. 6

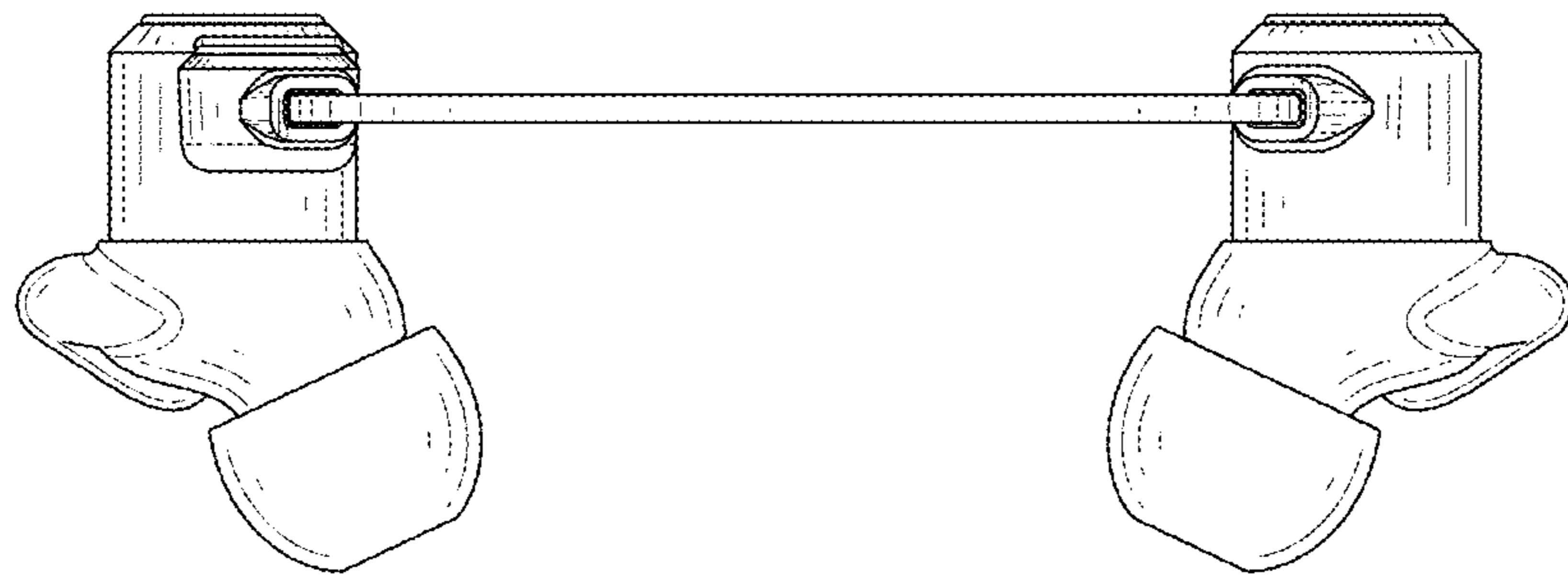


FIG. 7



FIG. 8