



US00D869432S

(12) **United States Design Patent**
Jung

(10) **Patent No.:** **US D869,432 S**

(45) **Date of Patent:** **** Dec. 10, 2019**

(54) **HEADPHONE**

(71) Applicant: **Skullcandy, Inc.**, Park City, UT (US)

(72) Inventor: **Ryan Jung**, Holladay, UT (US)

(73) Assignee: **Skullcandy, Inc.**, Park City, UT (US)

(**) Term: **15 Years**

(21) Appl. No.: **29/654,919**

(22) Filed: **Jun. 28, 2018**

(51) **LOC (12) Cl.** **14-01**

(52) **U.S. Cl.**

USPC **D14/205**

(58) **Field of Classification Search**

USPC D14/205, 206; D29/112; 2/209;
181/129, 130, 135; 379/430, 431;
381/380, 381, 382, 383, 384, 370, 371,
381/378, 345, 375, 182, 385, 328, 308;
455/90.3, 575.1, 569.1

CPC H04R 1/1066; H04R 1/1016; H04R 25/00;
H04R 5/033; H04R 5/0335; H04R 1/10;
H04R 5/02

See application file for complete search history.

(56) **References Cited**

U.S. PATENT DOCUMENTS

- 2,672,864 A * 3/1954 Makara A61F 11/14
128/866
- D235,210 S * 5/1975 Hill D14/205
- 4,499,593 A * 2/1985 Antle H04R 1/1066
381/309
- D292,205 S * 10/1987 Kikutani 381/378
- 5,018,599 A * 5/1991 Dohi H04R 1/1008
181/129
- 5,068,923 A * 12/1991 Sjoqvist A61F 11/14
181/129
- D323,327 S * 1/1992 Davidson D14/219
- D326,456 S * 5/1992 Hahn D14/219

- D328,074 S * 7/1992 Yamazaki D14/205
- D457,512 S * 5/2002 Yoneda D14/205
- D465,469 S * 11/2002 Heath D10/104.1
- 6,654,966 B2 * 12/2003 Rolla H04R 1/1066
2/209
- D510,335 S * 10/2005 Suzuki D14/205

(Continued)

FOREIGN PATENT DOCUMENTS

EM 005886983-0001 * 12/2018

OTHER PUBLICATIONS

Skullcandy Riff Over-Ear Headphones-Blue: Target 7 pages <https://www.target.com/p/skullcandy-riff-over-ear-headphones-blue/-/A75574498?ref=tgt> . . . (Year: 2019).*

Primary Examiner — Paula Allen Greene

(74) *Attorney, Agent, or Firm* — TraskBritt

(57) **CLAIM**

The ornamental design for a headphone, as shown and described.

DESCRIPTION

FIG. 1 is a perspective view of a headphone showing a first embodiment of our new design;

FIG. 2 is a front side view of the headphone shown in FIG. 1;

FIG. 3 is a back side view of the headphone shown in FIG. 1;

FIG. 4 is a left side view of the headphone shown in FIG. 1;

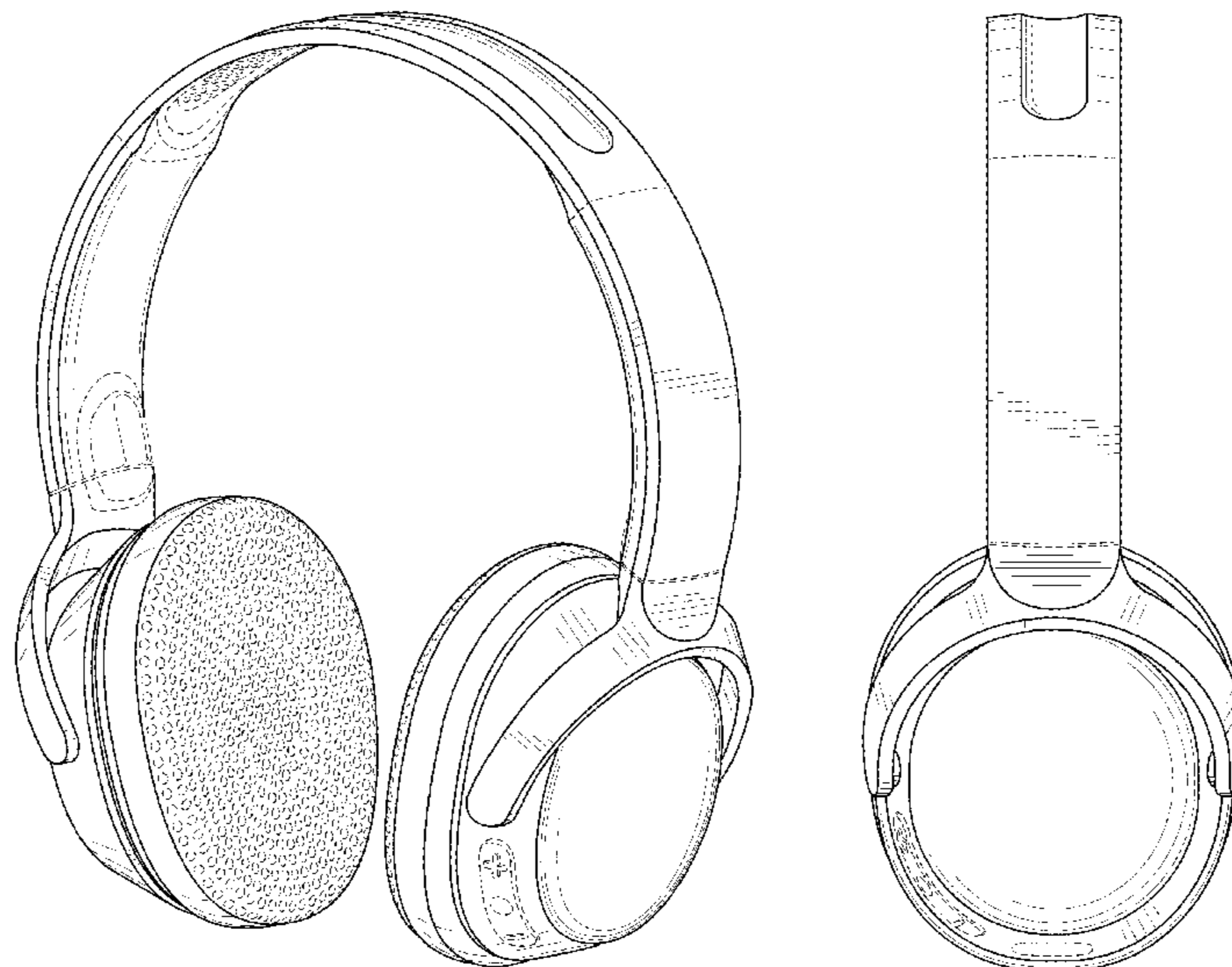
FIG. 5 is a right side view of the headphone shown in FIG. 1;

FIG. 6 is a top view of the headphone shown in FIG. 1; and,

FIG. 7 is a bottom view of the headphone shown in FIG. 1.

The broken lines in FIGS. 1-7 are for environmental purposes only and do not form any part of the claimed design.

1 Claim, 5 Drawing Sheets



(56)

References Cited

U.S. PATENT DOCUMENTS

6,993,143 B2 * 1/2006 Harris H04R 1/1066
 381/374
 D563,382 S * 3/2008 Wikel D14/205
 7,340,071 B2 * 3/2008 Huang H04R 1/1075
 381/309
 D567,215 S * 4/2008 Lee D14/205
 D581,394 S * 11/2008 Lee D14/205
 D585,871 S * 2/2009 Lee D14/205
 D603,370 S * 11/2009 Suzuki D14/205
 D623,627 S 9/2010 Alden et al.
 D641,003 S 7/2011 Alden
 D642,554 S * 8/2011 Schaal D14/205
 D650,356 S 12/2011 Alden et al.
 8,085,966 B2 * 12/2011 Amsel H04R 1/025
 381/370
 8,098,872 B2 * 1/2012 Chang H04R 1/1075
 381/370
 D662,080 S * 6/2012 Carr D14/205
 D665,776 S 8/2012 Alden et al.
 D665,777 S 8/2012 Alden et al.
 D673,136 S 12/2012 Kelly et al.
 8,325,962 B2 * 12/2012 Ishida H04R 5/0335
 381/370
 D674,372 S 1/2013 Kelly et al.
 D677,241 S 3/2013 Kelly et al.
 D677,243 S * 3/2013 Kitayama D14/205
 D683,717 S 6/2013 Kelly et al.
 D685,759 S 7/2013 Kelly et al.
 D689,464 S 9/2013 Bonahoom et al.
 D691,582 S 10/2013 Nguyen et al.

D693,793 S 11/2013 Kelly et al.
 D699,216 S 2/2014 Bonahoom et al.
 D701,193 S * 3/2014 Kelly D14/205
 D706,241 S * 6/2014 Szymanski H04R 1/1066
 D14/205
 D707,654 S * 6/2014 Nguyen H04S 1/005
 D14/205
 8,767,996 B1 * 7/2014 Lin H04R 1/1091
 381/380
 D719,136 S * 12/2014 Schaal D14/205
 D721,052 S * 1/2015 Carr D14/205
 D727,283 S * 4/2015 Dryden D14/205
 D733,092 S * 6/2015 Gan D14/205
 D746,790 S * 1/2016 Strasberg D14/205
 D757,680 S 5/2016 Kelly et al.
 D758,337 S * 6/2016 Szymanski D14/205
 D765,055 S * 8/2016 Hsieh D14/205
 D787,469 S * 5/2017 Djohar D14/205
 D787,470 S * 5/2017 Kelly D14/205
 9,774,943 B1 * 9/2017 Weitzner H04R 1/105
 D805,055 S 12/2017 Kelly et al.
 D840,370 S * 2/2019 Kelly D14/205
 10,250,966 B2 * 4/2019 Zheng H04R 1/1066
 D851,627 S * 6/2019 ter Laag D14/205
 D854,513 S * 7/2019 Miyake D14/205
 2005/0053255 A1 * 3/2005 Harris H04R 1/1066
 381/379
 2010/0310093 A1 * 12/2010 Semcken H04R 1/1058
 381/104
 2011/0002478 A1 * 1/2011 Pollard H04R 1/1041
 381/74
 2014/0056459 A1 * 2/2014 Oishi H04R 31/00
 381/370

* cited by examiner



FIG. 1

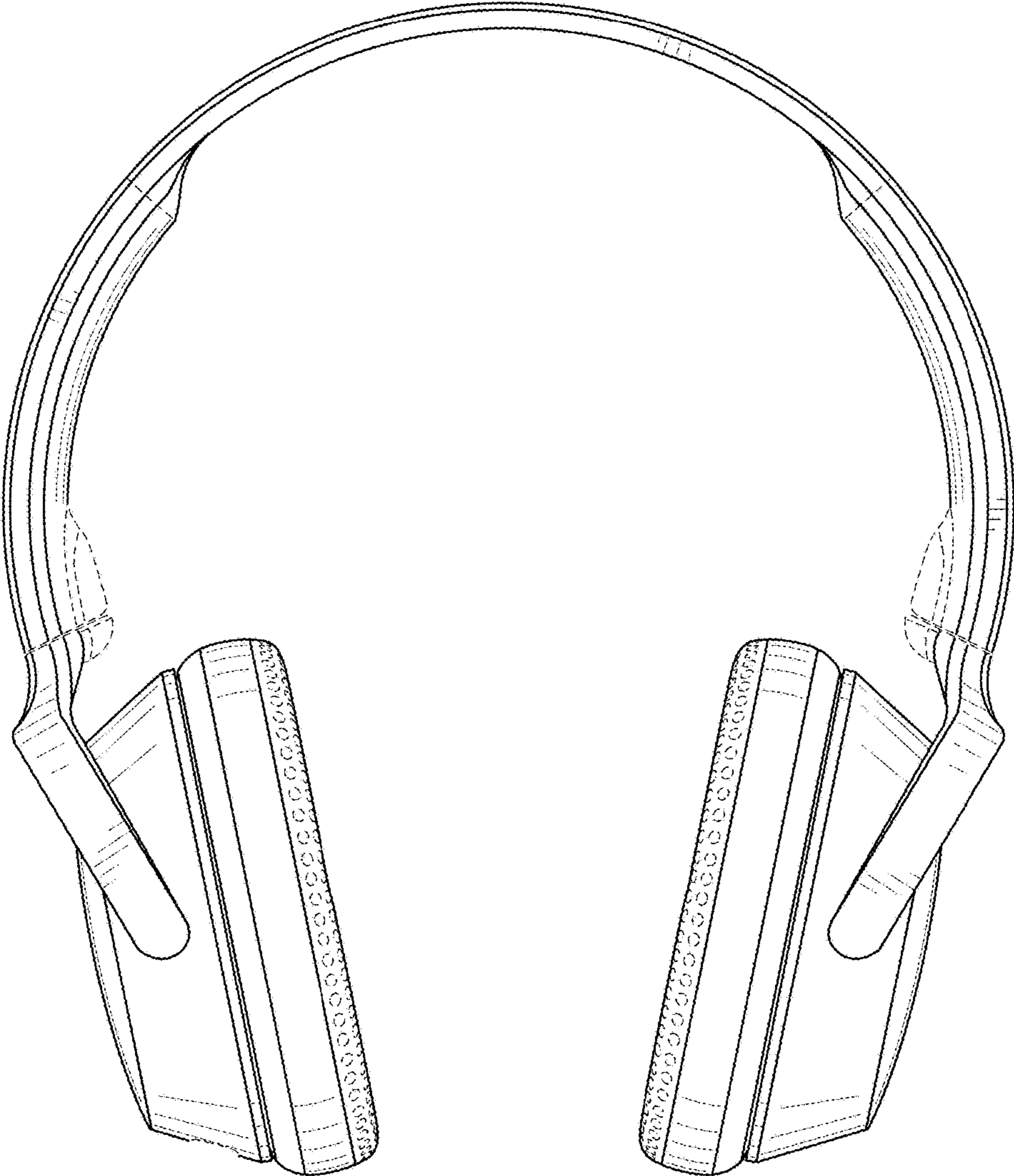


FIG. 2

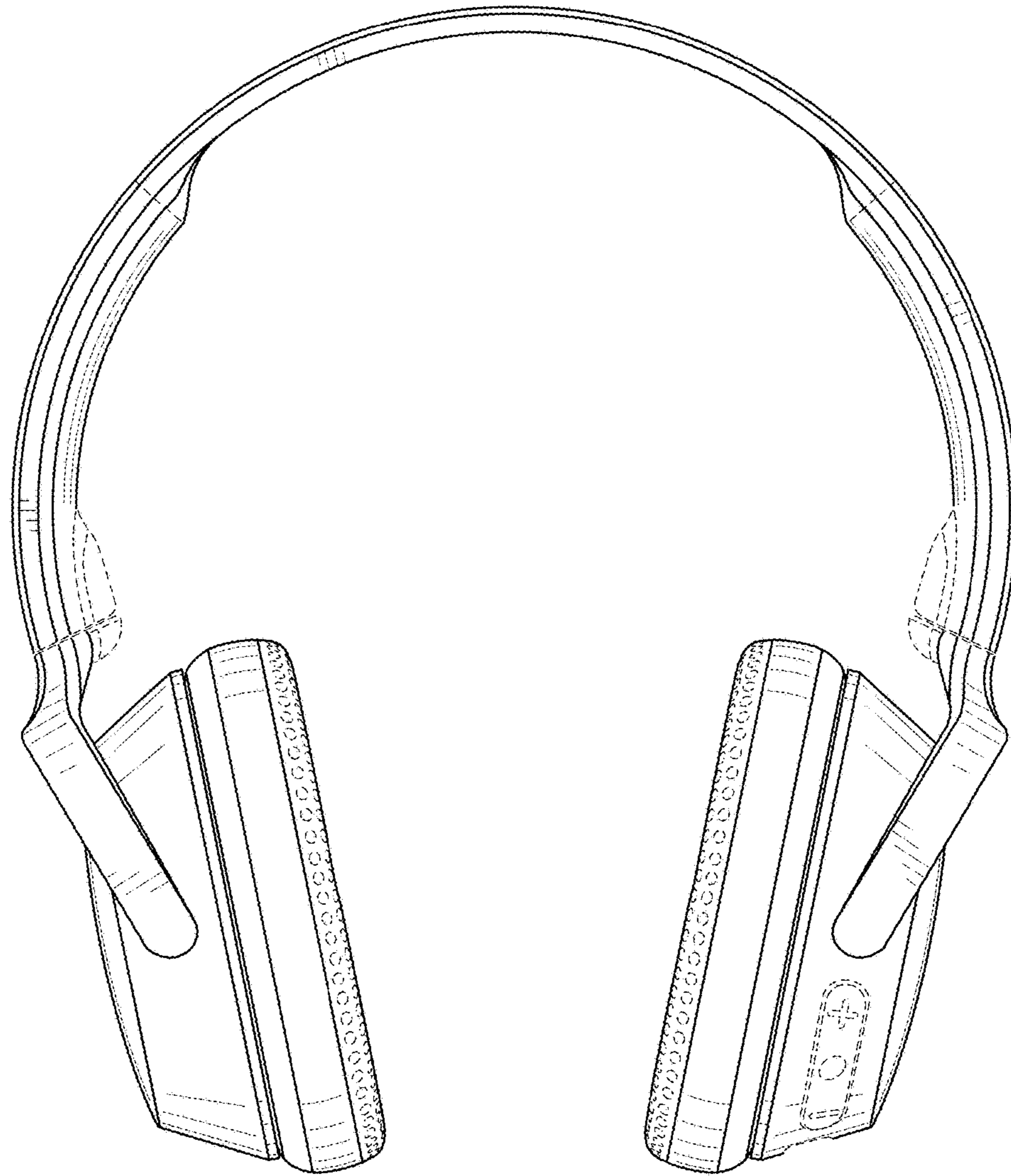


FIG. 3

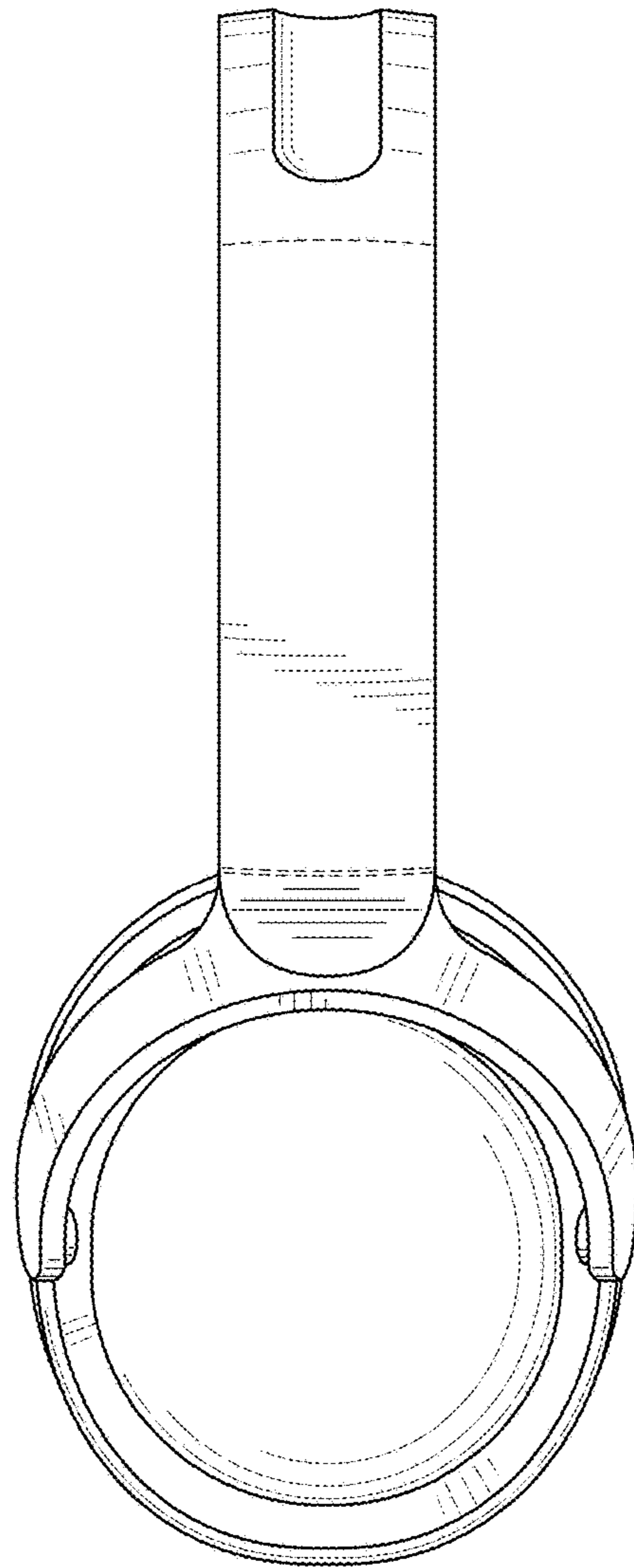


FIG. 4

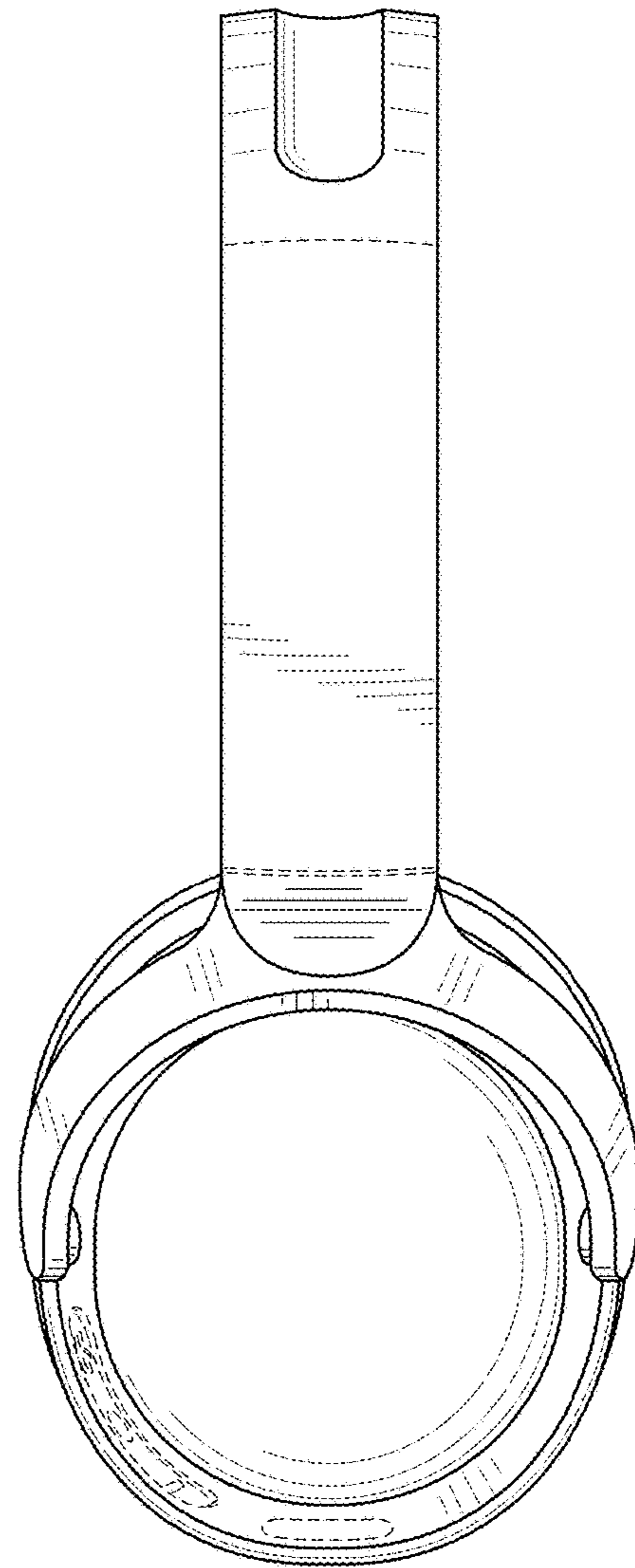


FIG. 5

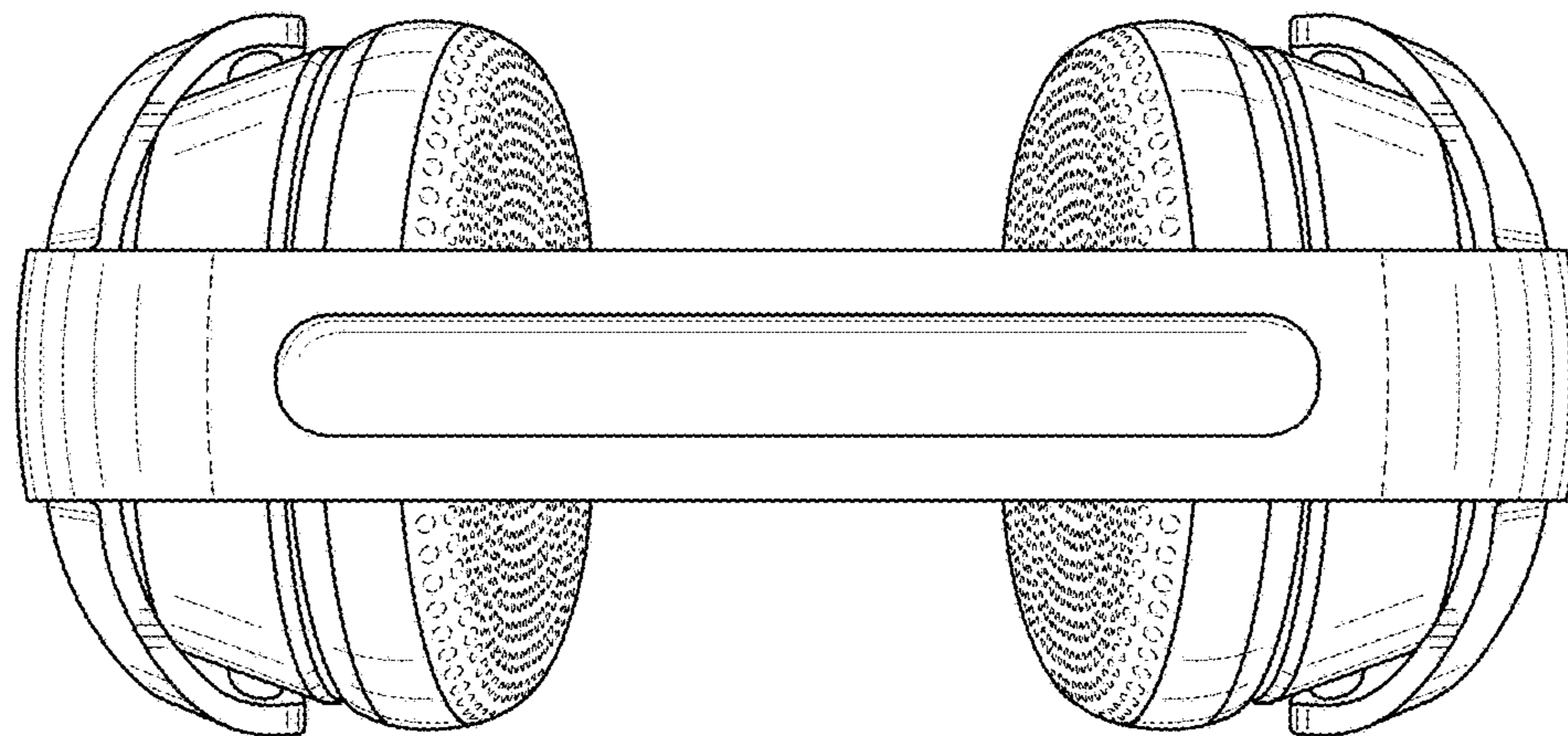


FIG. 6

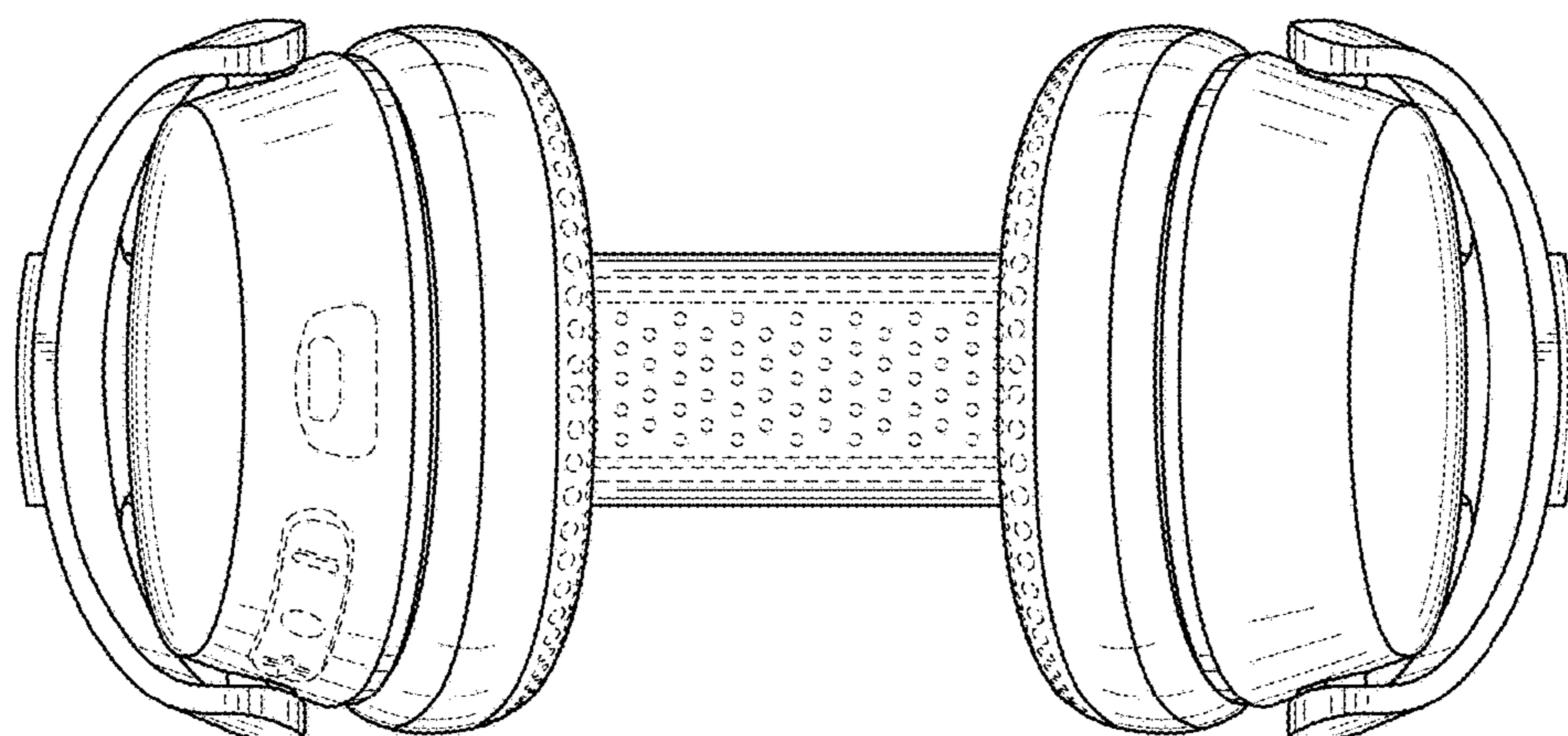


FIG. 7