



US00D869431S

(12) **United States Design Patent**  
**Czaniecki**

(10) **Patent No.:** **US D869,431 S**

(45) **Date of Patent:** **\*\* Dec. 10, 2019**

(54) **HEADPHONE**

(71) Applicant: **Harman International Industries, Incorporated**, Northridge, CA (US)

(72) Inventor: **Rafal Czaniecki**, Shenzhen (CN)

(73) Assignee: **Harman International Industries, Incorporated**, Northridge, CA (US)

(\*\*) Term: **15 Years**

(21) Appl. No.: **29/646,474**

(22) Filed: **May 4, 2018**

**Related U.S. Application Data**

(60) Division of application No. 29/592,110, filed on Jan. 26, 2017, now Pat. No. Des. 824,359, which is a continuation-in-part of application No. 29/576,111, filed on Aug. 31, 2016, now Pat. No. Des. 824,875.

(51) **LOC (12) Cl.** ..... **14-01**

(52) **U.S. Cl.**  
USPC ..... **D14/205**; D14/223

(58) **Field of Classification Search**  
USPC ..... D14/205, 223; 181/129, 130, 135;  
379/430, 431; 381/380, 381, 374, 74;  
455/90.3, 575.1, 569.1  
CPC ..... H04R 1/10; H04R 25/00; H04R 1/1066;  
H04R 1/1016; H04R 5/033; H04R 5/0335  
See application file for complete search history.

(56) **References Cited**

**U.S. PATENT DOCUMENTS**

D318,670 S	7/1991	Taniguchi
D326,655 S	6/1992	Iribe
5,222,151 A	6/1993	Nagayoshi et al.
5,410,608 A	4/1995	Lucey et al.
6,122,369 A	9/2000	Hwang et al.
6,222,151 B1	4/2001	Ziolkowski et al.
D473,217 S	4/2003	Rivera

D539,782 S	4/2007	Lee
D567,217 S	4/2008	Kamo et al.
D569,841 S	5/2008	Chung et al.
D576,154 S	9/2008	Ledbetter et al.
D587,681 S	3/2009	Yanai
D594,441 S	6/2009	Lee et al.
D598,894 S	8/2009	Masuda et al.
D599,778 S	9/2009	Ando
D605,628 S	12/2009	Ando
D614,168 S	4/2010	Rogers et al.

(Continued)

*Primary Examiner* — Paula Allen Greene

(74) *Attorney, Agent, or Firm* — Plumsea Law Group, LLC

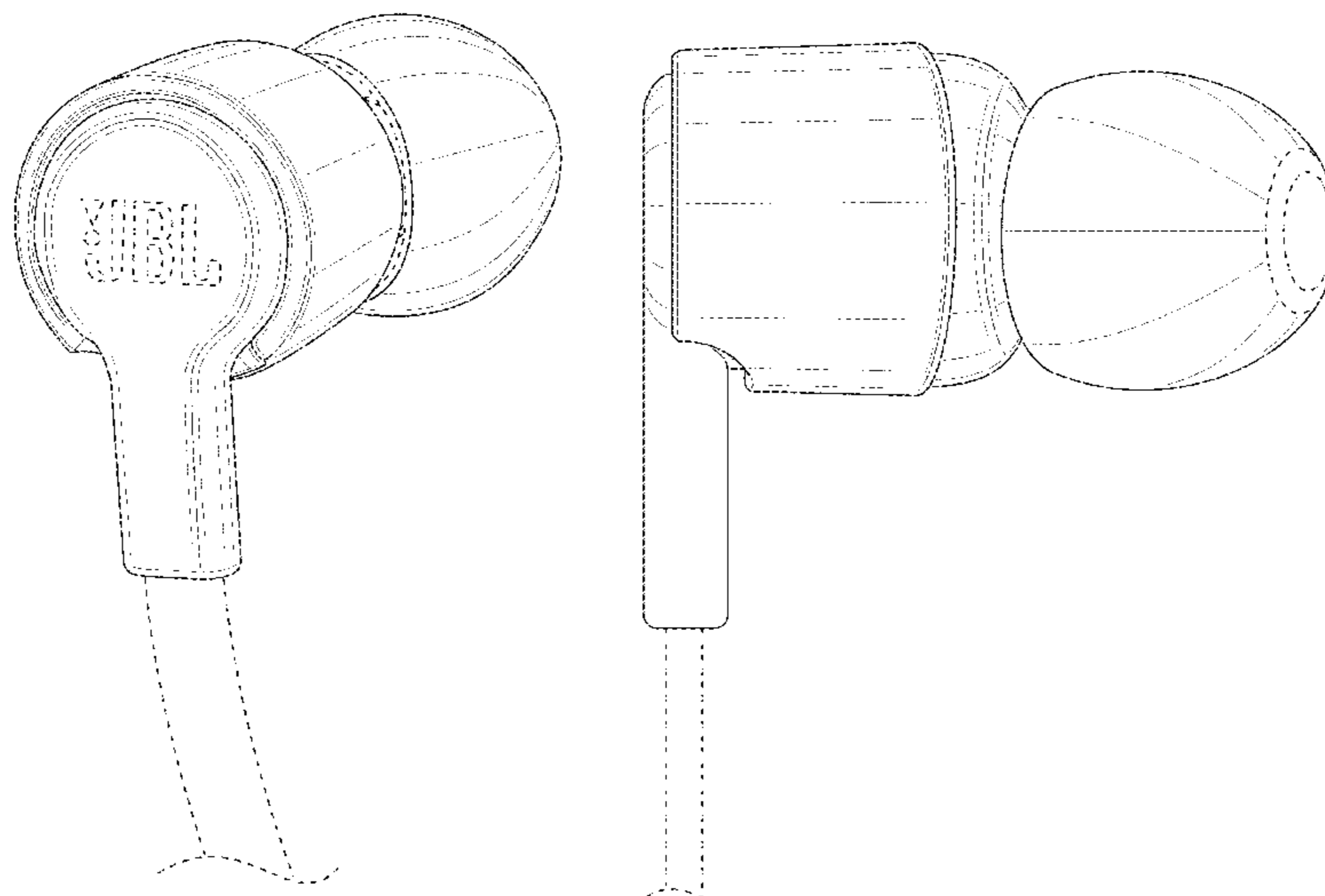
(57) **CLAIM**

The ornamental design for a headphone, as shown and described.

**DESCRIPTION**

FIG. 1 is a perspective view of a headphone showing the new design;  
 FIG. 2 is a front elevational view thereof;  
 FIG. 3 is a rear elevational view thereof;  
 FIG. 4 is a side elevational view of one side thereof;  
 FIG. 5 is a side elevational view of the opposite side thereof;  
 FIG. 6 is a top plan view thereof;  
 FIG. 7 is a bottom plan view thereof;  
 FIG. 8 is a perspective view of an opposite-handed embodiment of the headphone of FIG. 1;  
 FIG. 9 is a front elevational view thereof;  
 FIG. 10 is a rear elevational view thereof;  
 FIG. 11 is a side elevational view of one side thereof;  
 FIG. 12 is a side elevational view of the opposite side thereof;  
 FIG. 13 is a top plan view thereof; and,  
 FIG. 14 is a bottom plan view thereof.  
 The broken lines and unshaded areas form no part of the claimed design.

**1 Claim, 14 Drawing Sheets**



(56)

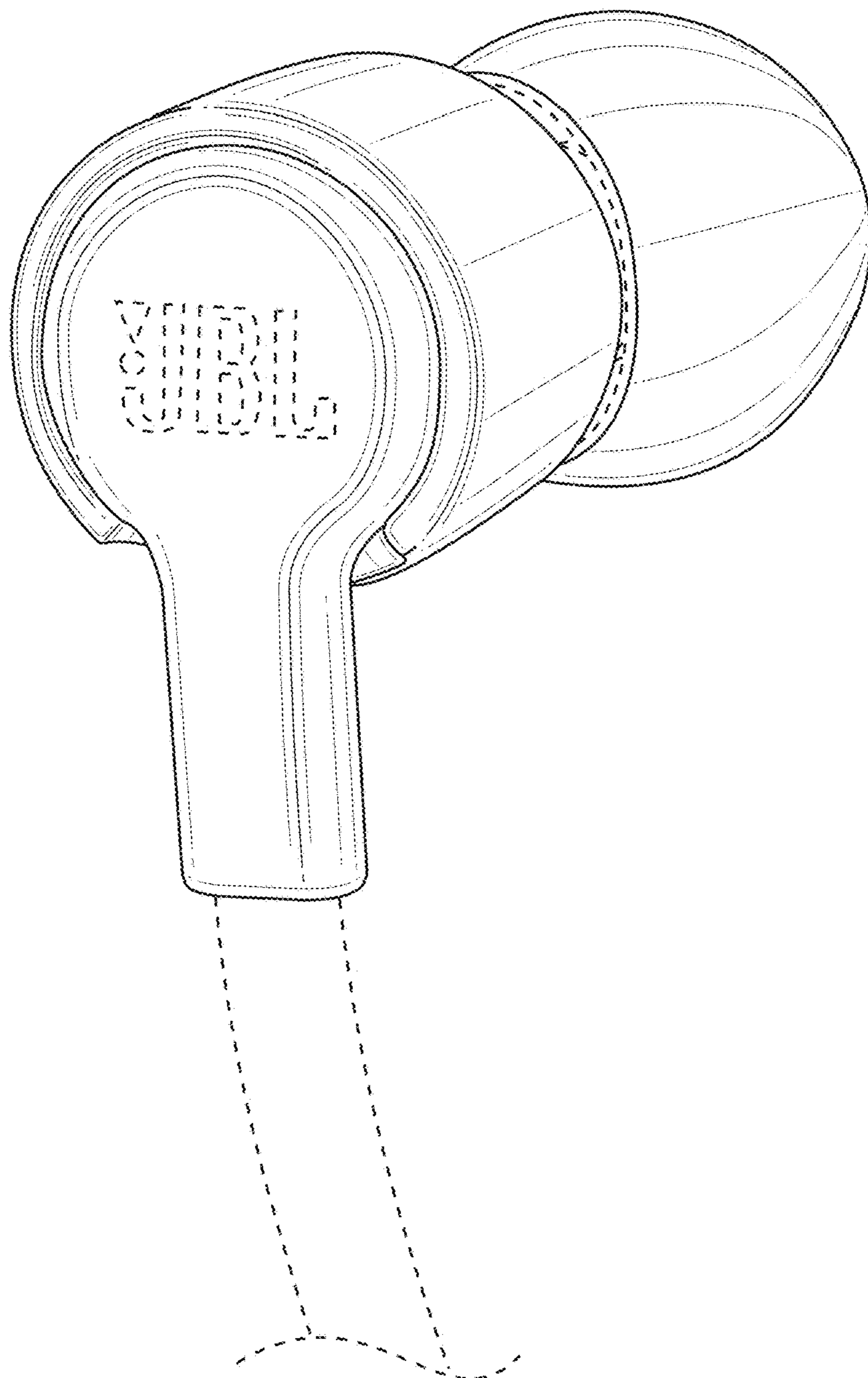
References Cited

U.S. PATENT DOCUMENTS

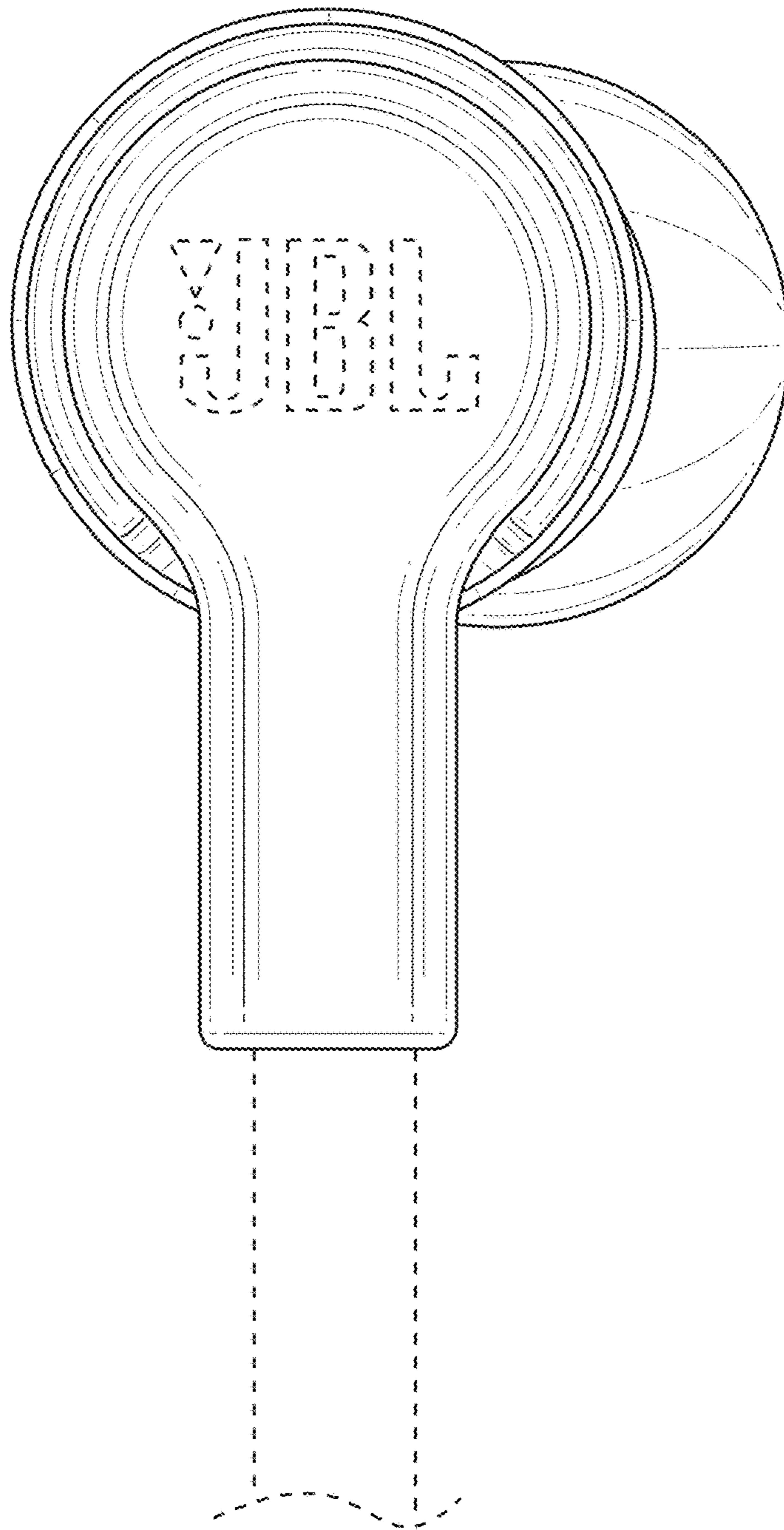
D618,209 S 6/2010 Andre et al.  
 D627,764 S 11/2010 Tsai et al.  
 7,920,902 B2 4/2011 Carroll  
 D637,181 S \* 5/2011 Fuller ..... D14/223  
 D651,589 S 1/2012 Fischer  
 D653,242 S 1/2012 Katsuraku et al.  
 D654,056 S 2/2012 Hoggarth et al.  
 D656,922 S 4/2012 Massaro et al.  
 D666,581 S 9/2012 Perez  
 8,290,193 B2 10/2012 Pang et al.  
 D671,531 S \* 11/2012 Kim ..... D14/223  
 D674,904 S 1/2013 Aunio  
 D680,102 S 4/2013 Chen  
 D685,764 S 7/2013 Coulter  
 D697,058 S \* 1/2014 Thompson ..... D14/205  
 D698,750 S 2/2014 Yoon  
 D699,226 S 2/2014 Yoon  
 8,731,227 B2 5/2014 Hwang  
 8,743,533 B2 6/2014 Stanley  
 8,761,430 B2 6/2014 Zimmerman  
 D710,334 S \* 8/2014 Yang ..... D14/223  
 D711,356 S 8/2014 Yang  
 D712,371 S 9/2014 Henning  
 D726,145 S 4/2015 Hsieh et al.  
 D727,871 S 4/2015 Orbach  
 D728,528 S 5/2015 Akana et al.  
 D743,381 S 11/2015 Pi et al.

D746,792 S 1/2016 Kim  
 D767,532 S 9/2016 Jen  
 D775,108 S \* 12/2016 Hsieh ..... D14/223  
 D776,635 S 1/2017 Chang et al.  
 D777,138 S 1/2017 Fletcher et al.  
 D780,155 S 2/2017 Levine et al.  
 D782,997 S 4/2017 Shin et al.  
 D782,998 S 4/2017 Shin et al.  
 D784,962 S \* 4/2017 Yang ..... D14/223  
 D795,225 S 8/2017 Sumii  
 D804,445 S 12/2017 Golnik et al.  
 D806,059 S 12/2017 Ott et al.  
 D822,009 S \* 7/2018 Matoba ..... D14/223  
 D824,359 S \* 7/2018 Czaniecki ..... D14/205  
 D824,875 S \* 8/2018 Czaniecki ..... D14/205  
 D829,193 S \* 9/2018 Cai ..... D14/223  
 D831,619 S \* 10/2018 Matoba ..... D14/223  
 D838,258 S \* 1/2019 Hsieh ..... D14/223  
 D845,926 S \* 4/2019 Aoyagi ..... D14/205  
 2008/0166003 A1 7/2008 Hankey et al.  
 2009/0238395 A1 9/2009 Jubelirer et al.  
 2011/0110552 A1 5/2011 Pang et al.  
 2011/0176700 A1 7/2011 Hashimoto  
 2012/0087533 A1 \* 4/2012 Nageno ..... H04R 11/02  
 381/380  
 2012/0170790 A1 7/2012 Pang et al.  
 2013/0170692 A1 7/2013 Kaneko et al.  
 2015/0382099 A1 12/2015 Chu et al.  
 2016/0205458 A1 \* 7/2016 Huang ..... H04R 1/1016  
 381/380

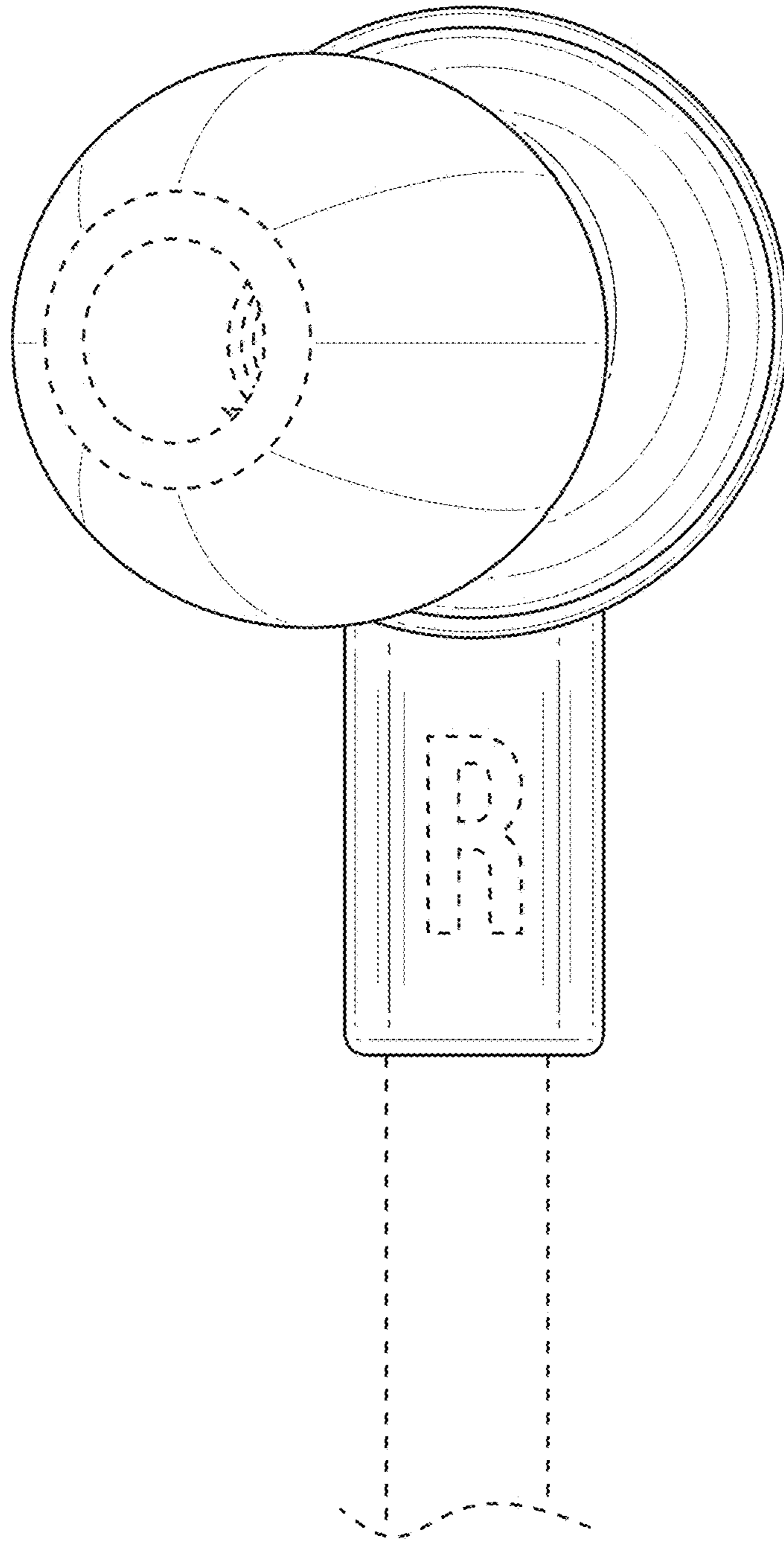
\* cited by examiner



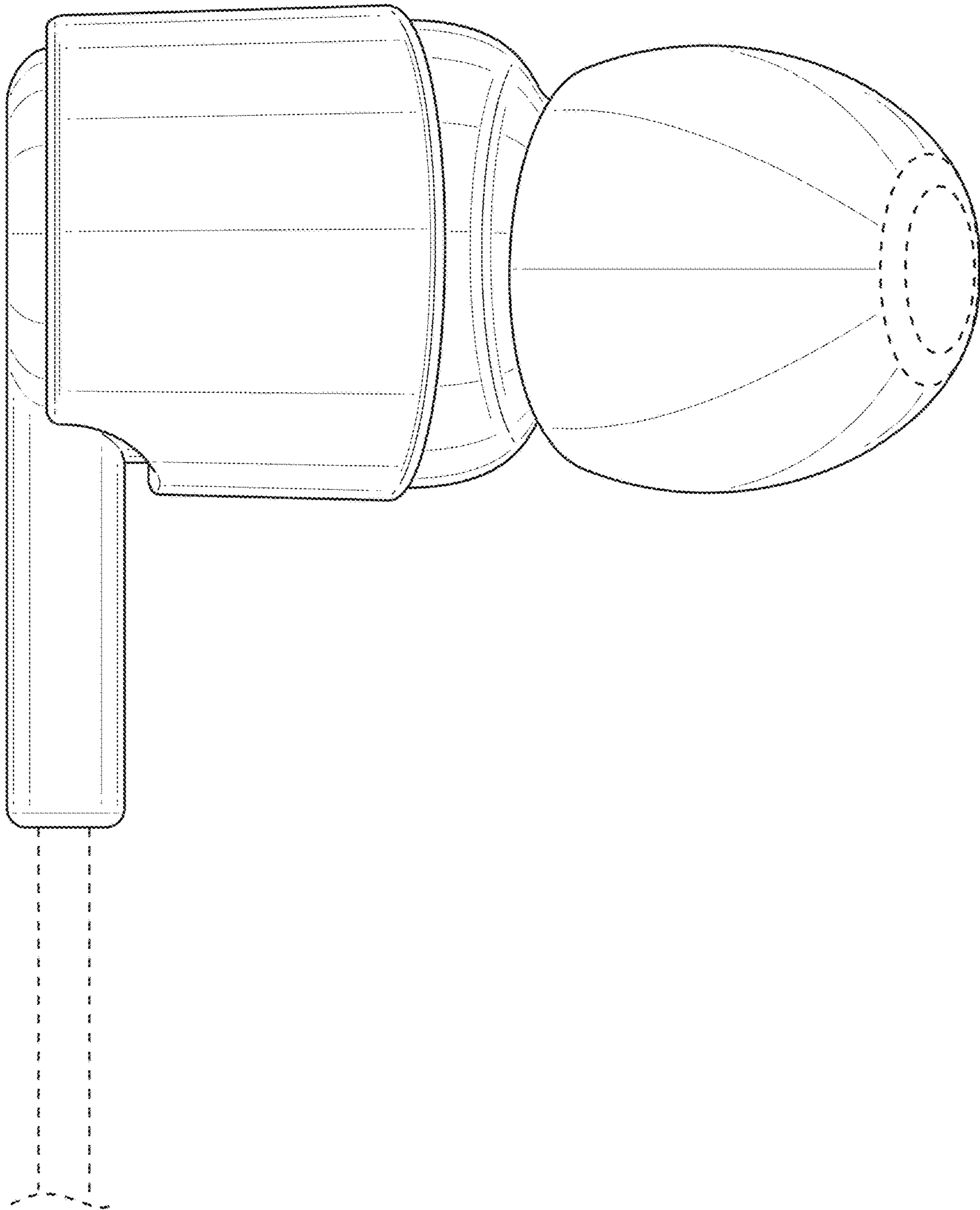
**FIG. 1**



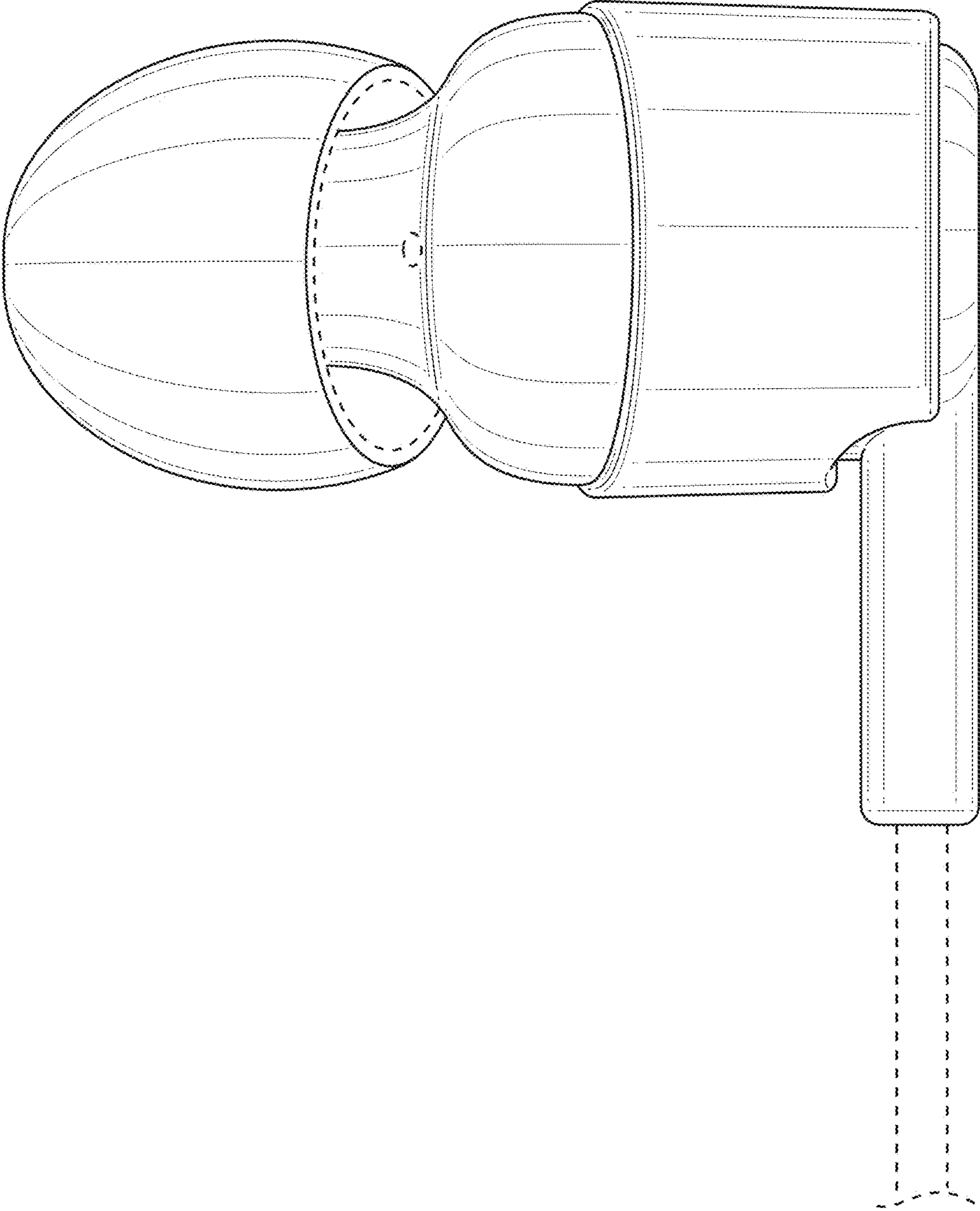
**FIG. 2**



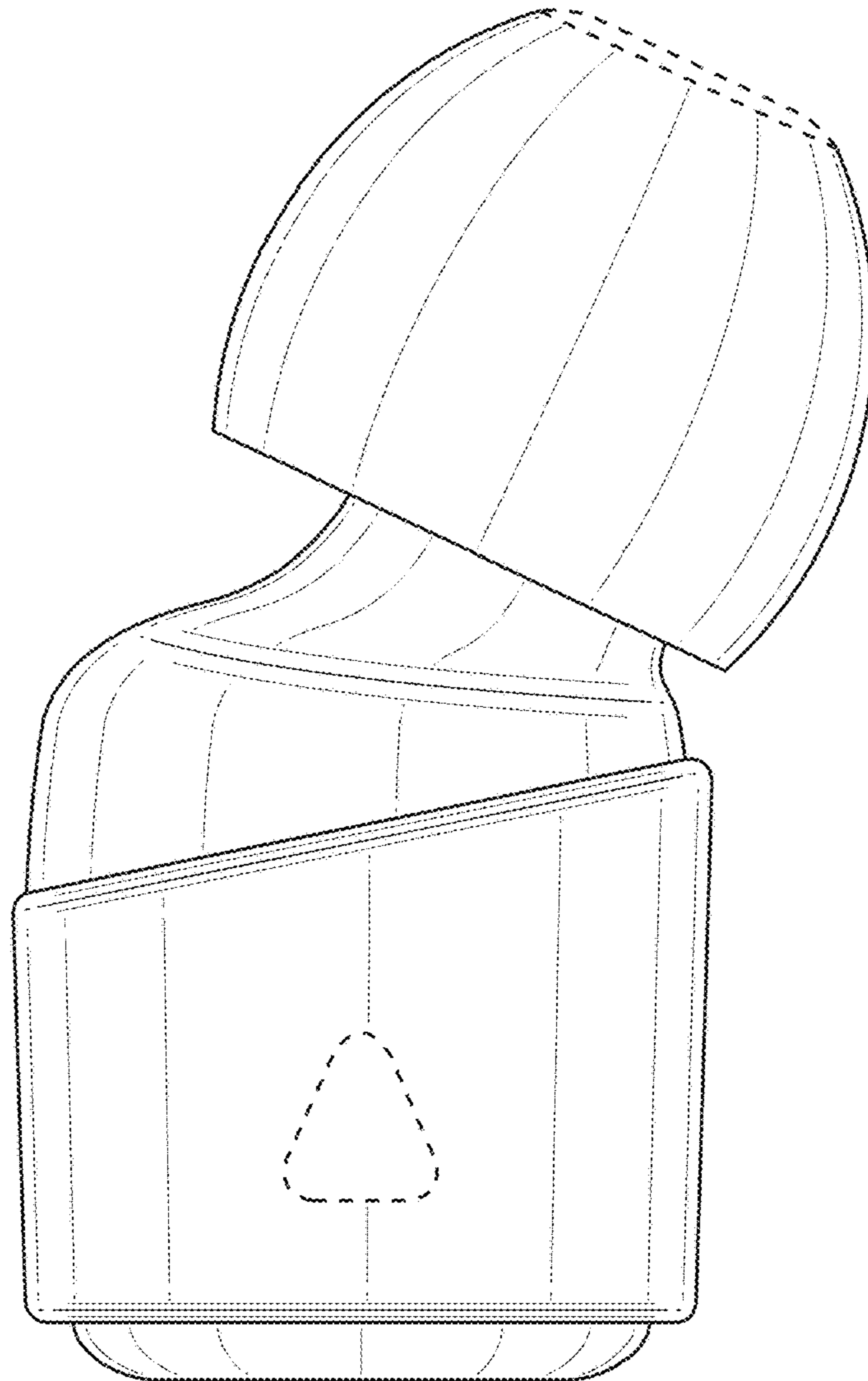
**FIG. 3**



**FIG. 4**

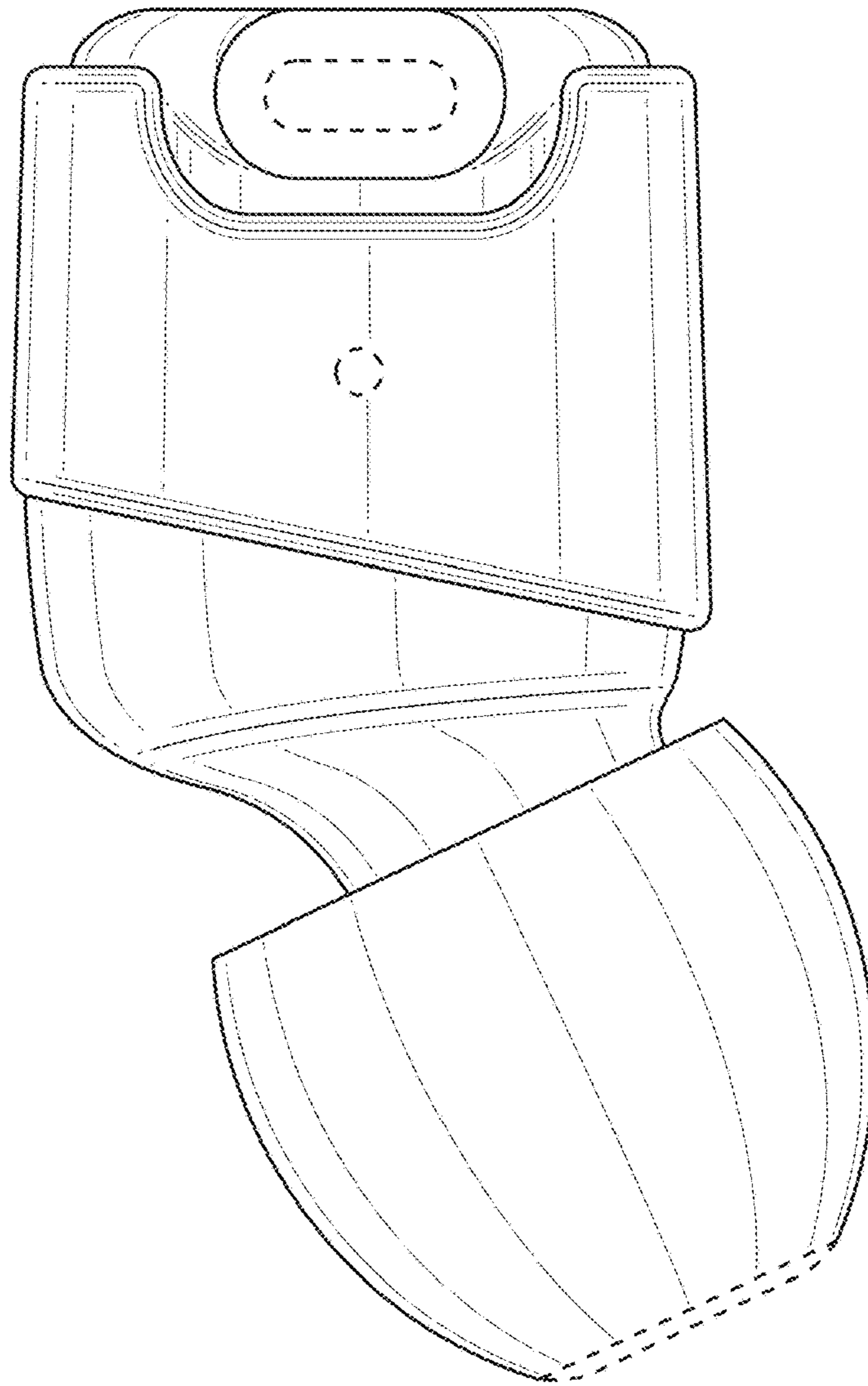


**FIG. 5**

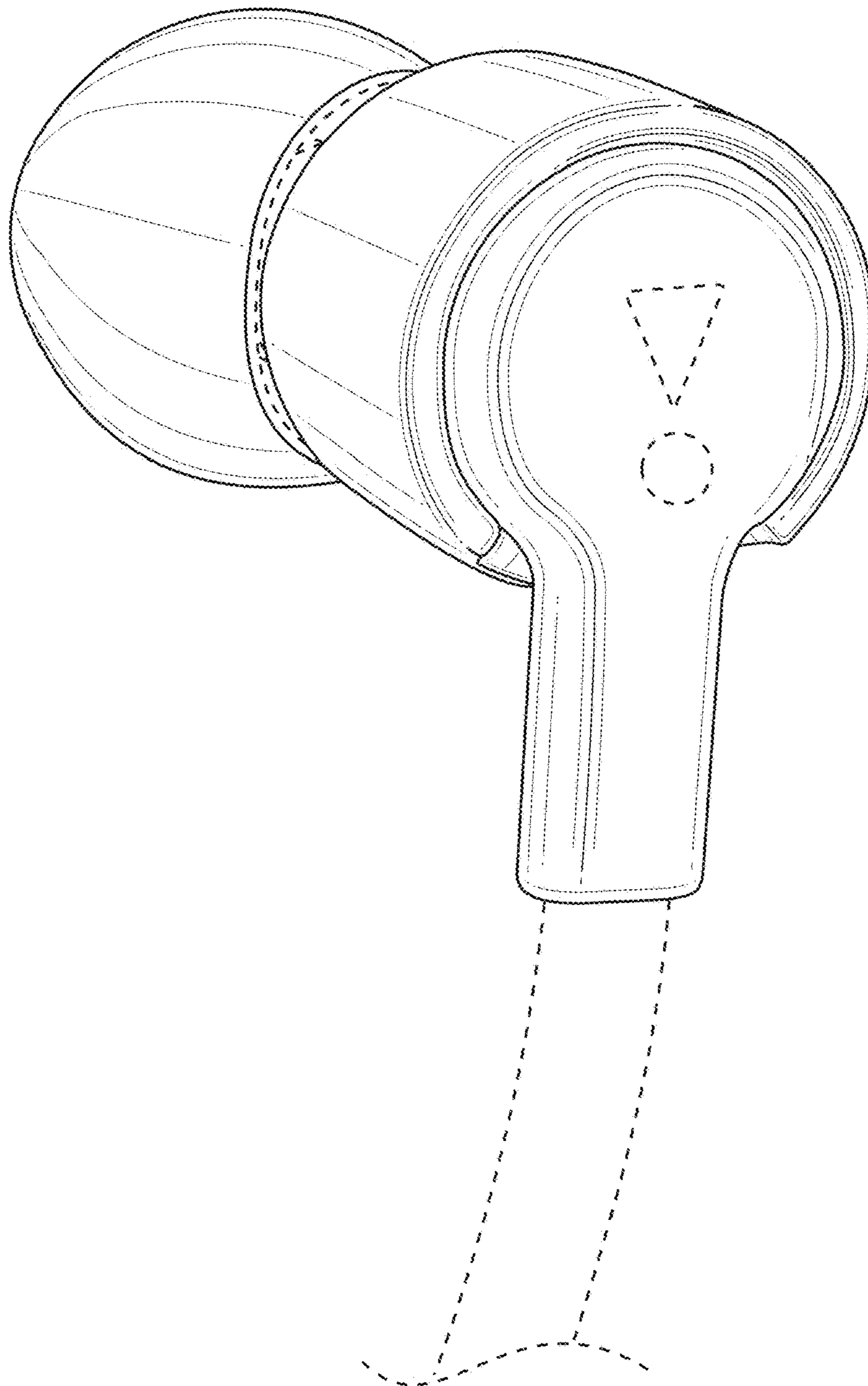


**FIG. 6**

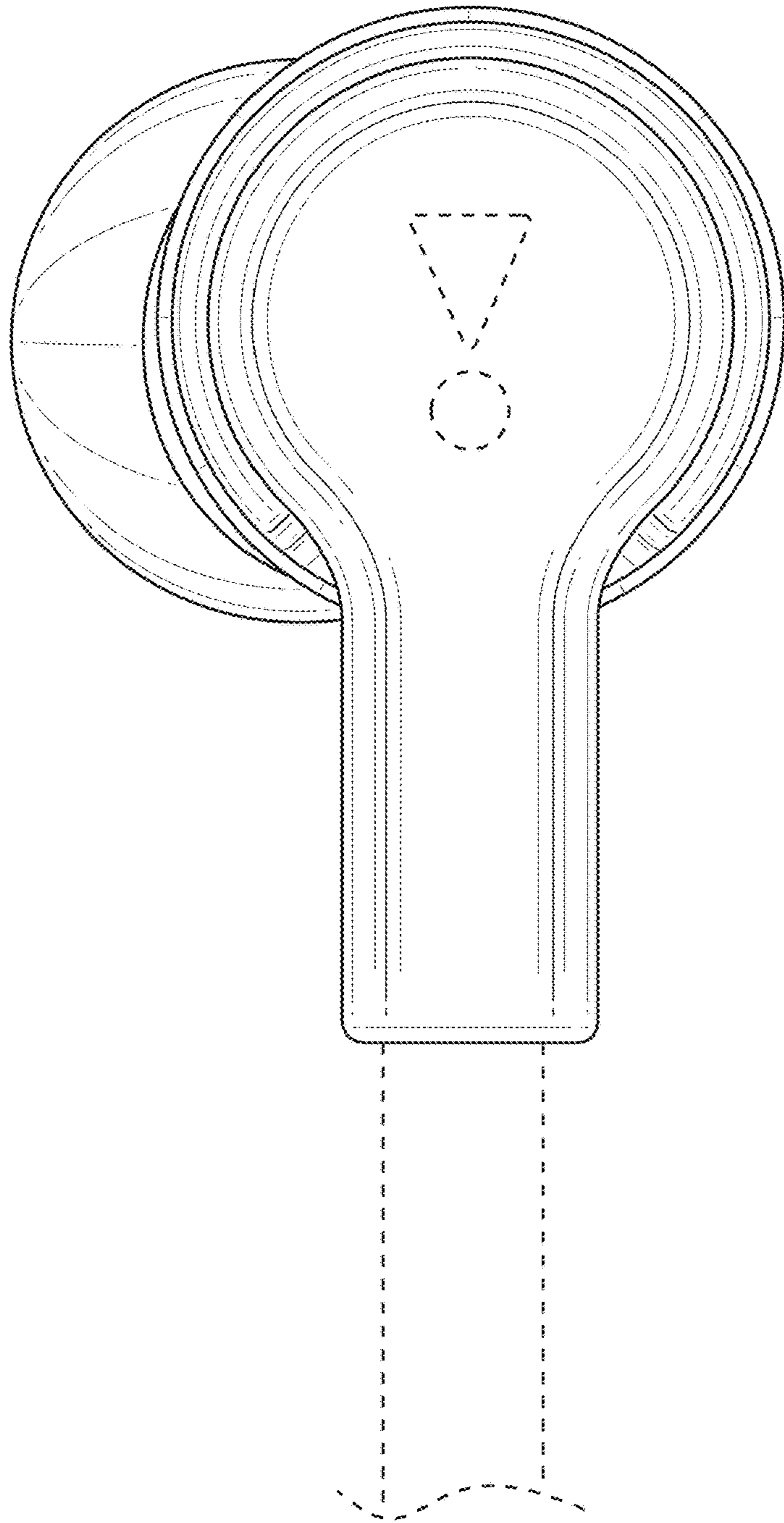




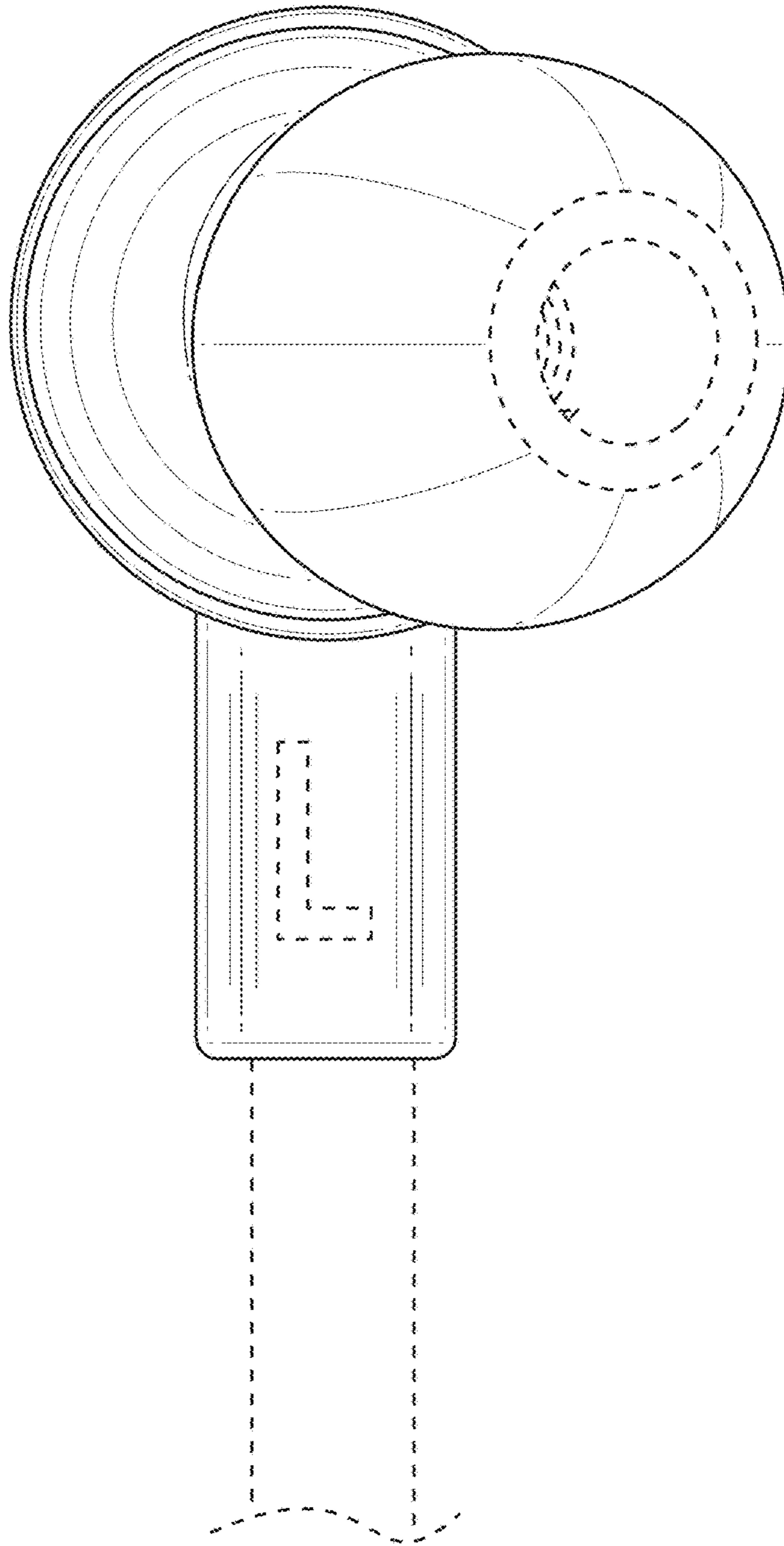
**FIG. 7**



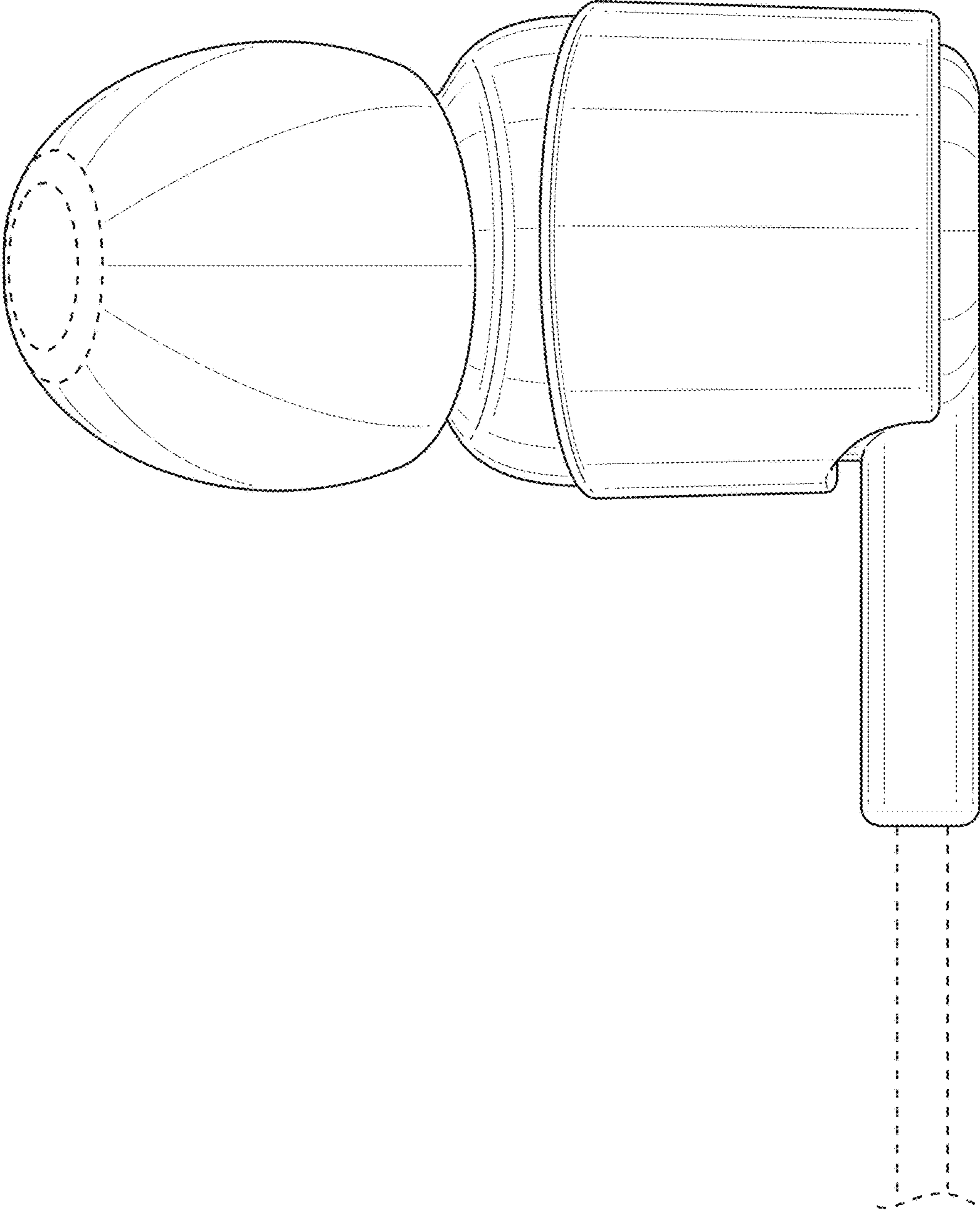
**FIG. 8**



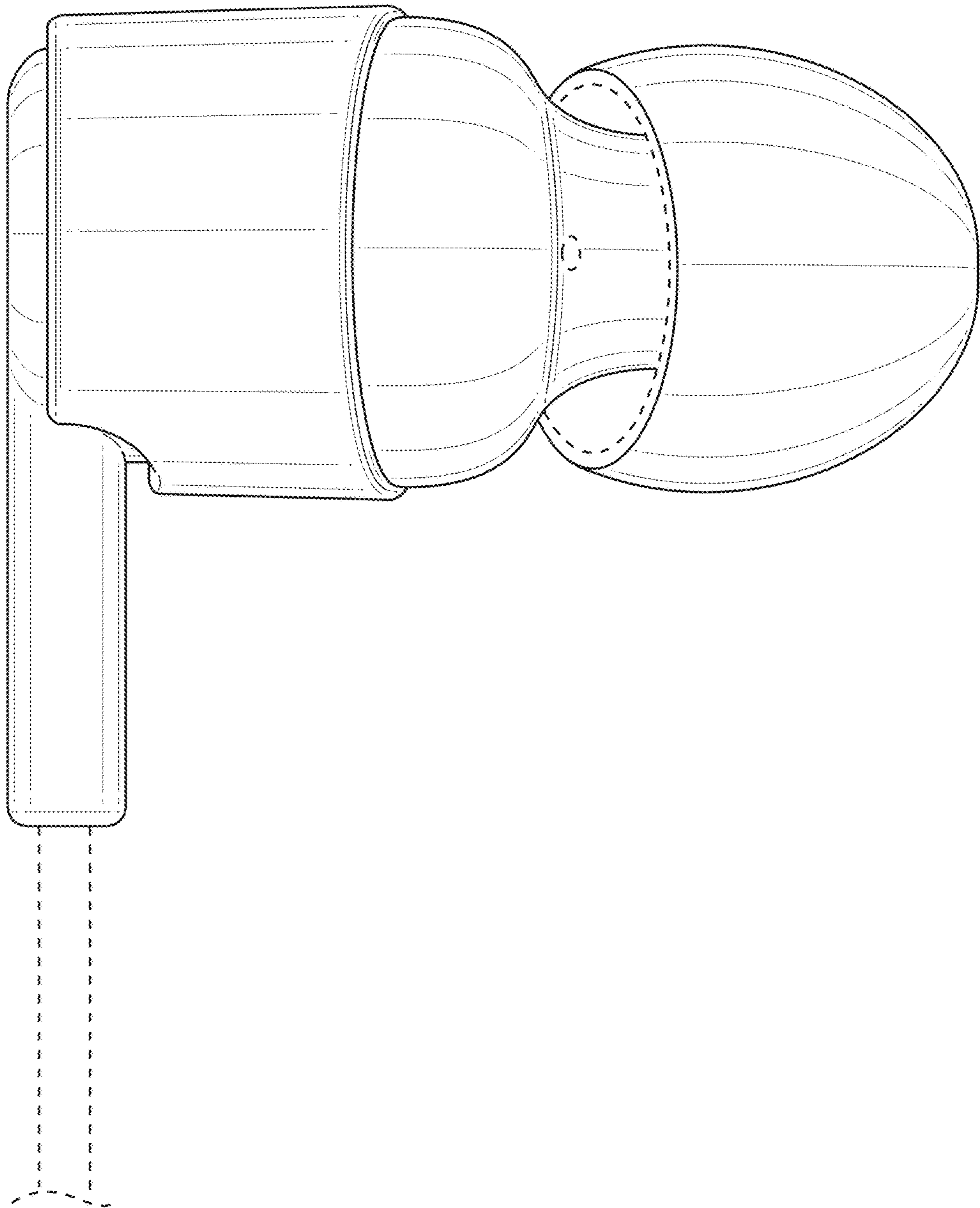
**FIG. 9**



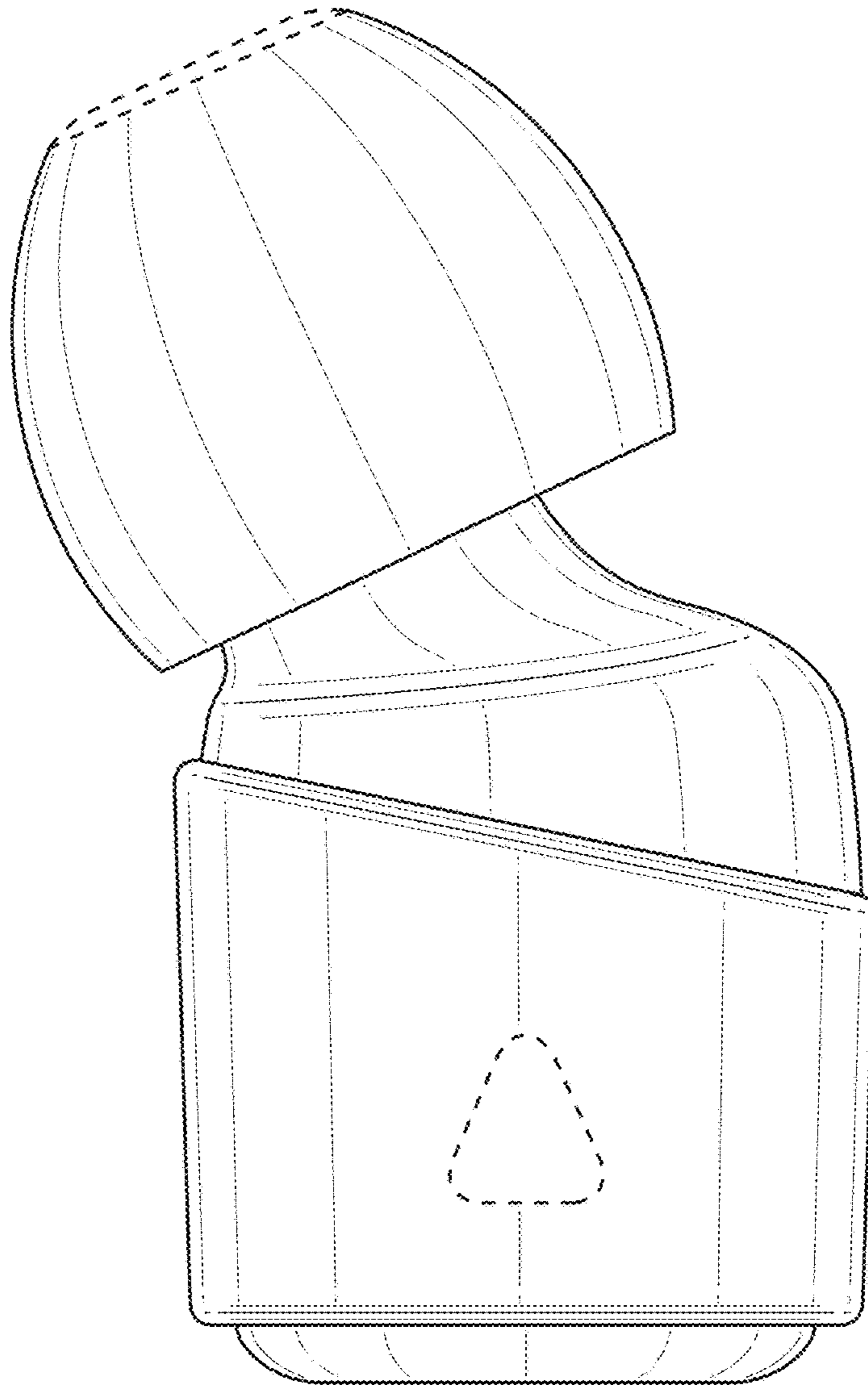
**FIG. 10**



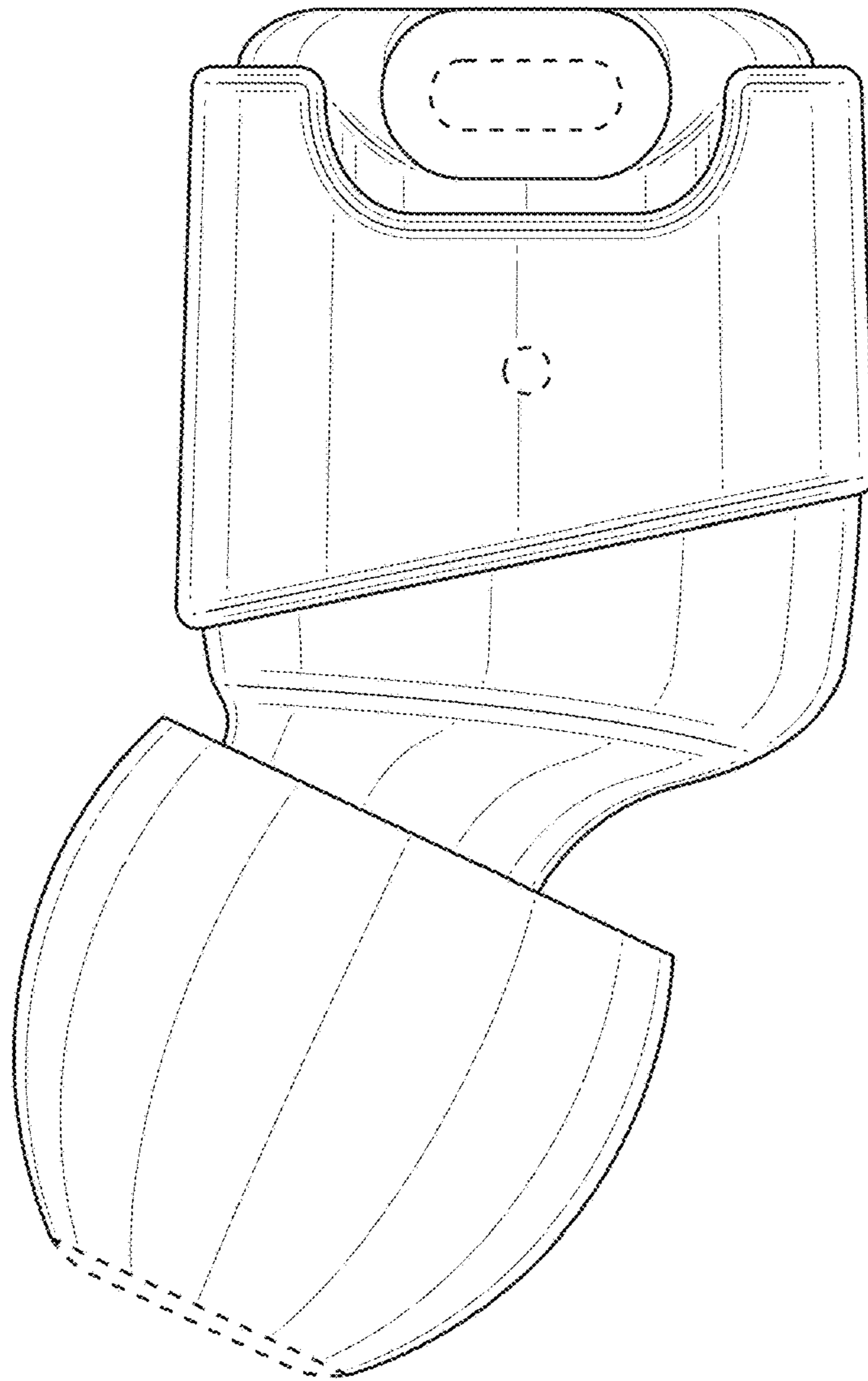
**FIG. 11**



**FIG. 12**



**FIG. 13**



**FIG. 14**