



US00D869430S

(12) **United States Design Patent** (10) **Patent No.:** **US D869,430 S**
Rama et al. (45) **Date of Patent:** **** Dec. 10, 2019**

(54) **HEADPHONES**

- (71) Applicant: **Amazon Technologies, Inc.**, Seattle, WA (US)
- (72) Inventors: **Jamie Rama**, Los Angeles, CA (US); **Andrew Reznik**, Los Angeles, CA (US)
- (73) Assignee: **Amazon Technologies, Inc.**, Seattle, WA (US)
- (**) Term: **15 Years**
- (21) Appl. No.: **29/635,187**
- (22) Filed: **Jan. 29, 2018**
- (51) **LOC (12) Cl.** **14-01**
- (52) **U.S. Cl.**
USPC **D14/205**; D14/206
- (58) **Field of Classification Search**
USPC D14/205, 206, 188, 192; D26/123, 124, D26/121, 56, 120, 139; 362/580, 109, 362/570, 355, 361, 311.02; D29/112; 181/129, 130, 135; 379/430, 431; 381/380, 381, 370, 374; 455/90.3, 575.1, 455/569.1; D23/213, 214; 239/289
CPC F21S 4/00; H04R 25/00; H04R 1/1066; H04R 1/1016; H04R 5/033; H04R 5/0335; H04R 1/10; F21V 23/00; F21V 11/14
See application file for complete search history.

(56) **References Cited**

U.S. PATENT DOCUMENTS

1,219,888	A *	3/1917	Wallberg	H04B 1/08 329/370
1,918,087	A *	7/1933	Donley	G02B 5/12 359/547
2,022,060	A *	11/1935	Swickard	H04R 1/225 181/129

(Continued)

Primary Examiner — Paula Allen Greene
(74) *Attorney, Agent, or Firm* — Lee & Hayes, P.C.

(57) **CLAIM**

The ornamental design for headphones, as shown and described.

DESCRIPTION

FIG. 1 is a top, left perspective view of a first embodiment of headphones. An outermost portion of the claimed headphones indicates a location of a light ring.

FIG. 2 is a top, right perspective view thereof;

FIG. 3 is a front view thereof;

FIG. 4 is a back view thereof;

FIG. 5 is a left-side view thereof;

FIG. 6 is a right-side view thereof;

FIG. 7 is a top view thereof;

FIG. 8 is a bottom view thereof;

FIG. 9 is a left perspective view of a second embodiment of headphones. An outermost portion of the claimed headphones indicates a location of a light ring. No claim is made to the omitted views of this embodiment.

FIG. 10 is a left perspective view of a third embodiment of headphones. An outermost portion of the claimed headphones indicates a location of a light ring. No claim is made to the omitted views of this embodiment.

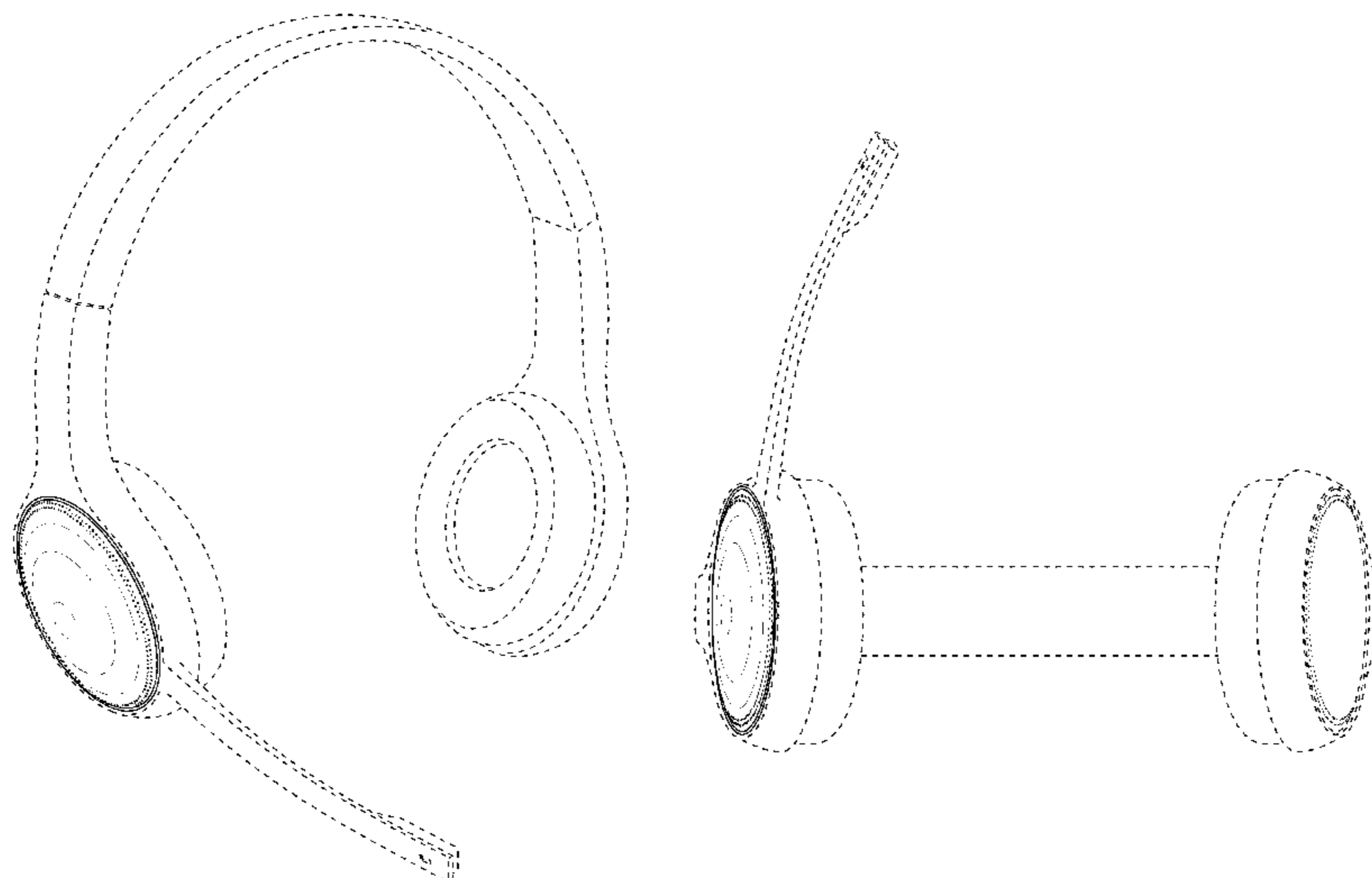
FIG. 11 is a left perspective view of a fourth embodiment of headphones. An outermost portion of the claimed headphones indicates a location of a light ring. No claim is made to the omitted views of this embodiment.

FIG. 12 is a left perspective view of a fifth embodiment of headphones. An outermost portion of the claimed headphones indicates a location of a light ring. No claim is made to the omitted views of this embodiment; and,

FIG. 13 is a left perspective view of a sixth embodiment of headphones. An outermost portion of the claimed headphones indicates a location of a light ring. No claim is made to the omitted views of this embodiment.

The dashed broken lines depict portions of the headphones which form no part of the claimed design.

1 Claim, 13 Drawing Sheets



(56)

References Cited

U.S. PATENT DOCUMENTS

2,025,398 A * 12/1935 Pocock H04M 1/05
D14/205
D121,293 S * 7/1940 Brown D23/213
2,672,864 A * 3/1954 Makara A61F 11/14
128/866
3,488,457 A * 1/1970 Lahti H04R 1/1008
381/371
3,729,923 A * 5/1973 Brigliano G04B 19/30
368/225
D238,671 S * 2/1976 Rosenberger D23/213
D246,259 S * 11/1977 Nishimura D14/205
4,164,008 A * 8/1979 Miller A41D 27/085
223/52
D254,183 S * 2/1980 Doodson D14/205
4,308,572 A * 12/1981 Davidson A41D 27/085
36/137
4,338,547 A * 7/1982 McCaslin F21S 10/06
315/210
4,429,194 A * 1/1984 Kamon H04R 1/1016
381/371
4,677,533 A * 6/1987 McDermott F21S 10/02
362/240
4,993,074 A * 2/1991 Carroll H04R 5/033
181/129
D323,167 S * 1/1992 Yamazaki D14/205
D347,434 S * 5/1994 Yamatogi D14/205
D348,465 S * 7/1994 Yamatogi D14/205
5,420,935 A * 5/1995 Shinohara H04R 1/1016
381/370
5,772,314 A * 6/1998 Brumer E04B 9/32
362/147
5,893,626 A * 4/1999 Poling B62J 6/04
362/231
D431,550 S * 10/2000 Yoneda D14/205
D453,015 S * 1/2002 Yuyama D14/192
6,449,806 B1 * 9/2002 Engelhard H04M 1/05
2/209
D465,469 S * 11/2002 Heath D10/104.1
6,483,925 B1 * 11/2002 Shen H04R 1/105
381/370
D467,895 S * 12/2002 Hirano D14/192
D505,411 S * 5/2005 Sakai D14/192
D508,483 S * 8/2005 Suzuki D14/205
D523,846 S * 6/2006 Lee D14/205
D570,824 S * 6/2008 Schultz D14/205
D573,581 S * 7/2008 Gondo D14/205
D589,492 S * 3/2009 Mistry D14/205
D625,705 S * 10/2010 Ohori D14/205
D625,709 S * 10/2010 Yamamoto D14/223

D632,668 S * 2/2011 Brunner D14/205
D635,124 S * 3/2011 Morimoto D14/205
D635,959 S * 4/2011 Hutchieson D14/205
D637,997 S * 5/2011 Peller D14/205
D639,385 S * 6/2011 Flowers D23/213
8,052,310 B2 * 11/2011 Gingrinch, III F21V 23/00
362/311.02
8,139,807 B2 * 3/2012 Reiss H04R 1/1083
381/371
8,213,269 B2 * 7/2012 Saunier G04B 45/003
368/225
D666,579 S * 9/2012 Hou D14/205
D673,521 S * 1/2013 Yoneyama D14/205
8,342,710 B2 * 1/2013 Rahbar-Dehghan
G01N 21/94
362/109
D678,468 S * 3/2013 Hanna D14/207
D678,860 S * 3/2013 Hagelin D14/205
8,437,077 B2 * 5/2013 Chang G02B 21/084
359/385
D697,048 S * 1/2014 Pavitsich D14/205
D699,702 S * 2/2014 Chen D14/205
D708,163 S * 7/2014 Ishikura D14/205
8,879,768 B2 * 11/2014 Podoloff H04R 1/1016
381/370
D719,548 S * 12/2014 Thompson D14/223
8,920,004 B2 * 12/2014 Song F21V 21/044
362/365
D721,052 S * 1/2015 Carr D14/205
D733,090 S * 6/2015 Petersen D14/205
D735,161 S * 7/2015 Sparks D14/205
D737,799 S * 9/2015 Carr D14/205
D786,221 S * 5/2017 Stoch D14/223
9,800,976 B2 * 10/2017 Honda H04R 5/033
D807,323 S * 1/2018 Wang D14/205
D809,476 S * 2/2018 Summerson D14/205
D810,046 S * 2/2018 Dryden D14/205
10,003,875 B2 * 6/2018 Yoshino H04R 1/04
10,003,876 B2 * 6/2018 Messingher H04R 9/047
10,015,580 B1 * 7/2018 Bruno H04R 1/1066
D834,260 S * 11/2018 Garcia Mansilla D29/112
10,129,631 B2 * 11/2018 Jetter H04R 1/08
D837,763 S * 1/2019 Suzuki D14/205
D840,370 S * 2/2019 Kelly D14/205
D840,970 S * 2/2019 Dryden D14/205
D840,971 S * 2/2019 Summerson D14/205
D852,775 S * 7/2019 Ando D14/205
D852,776 S * 7/2019 Zhu D14/205
D852,777 S * 7/2019 Park D14/206
2011/0211723 A1 * 9/2011 Annunziato H04B 1/202
381/380

* cited by examiner

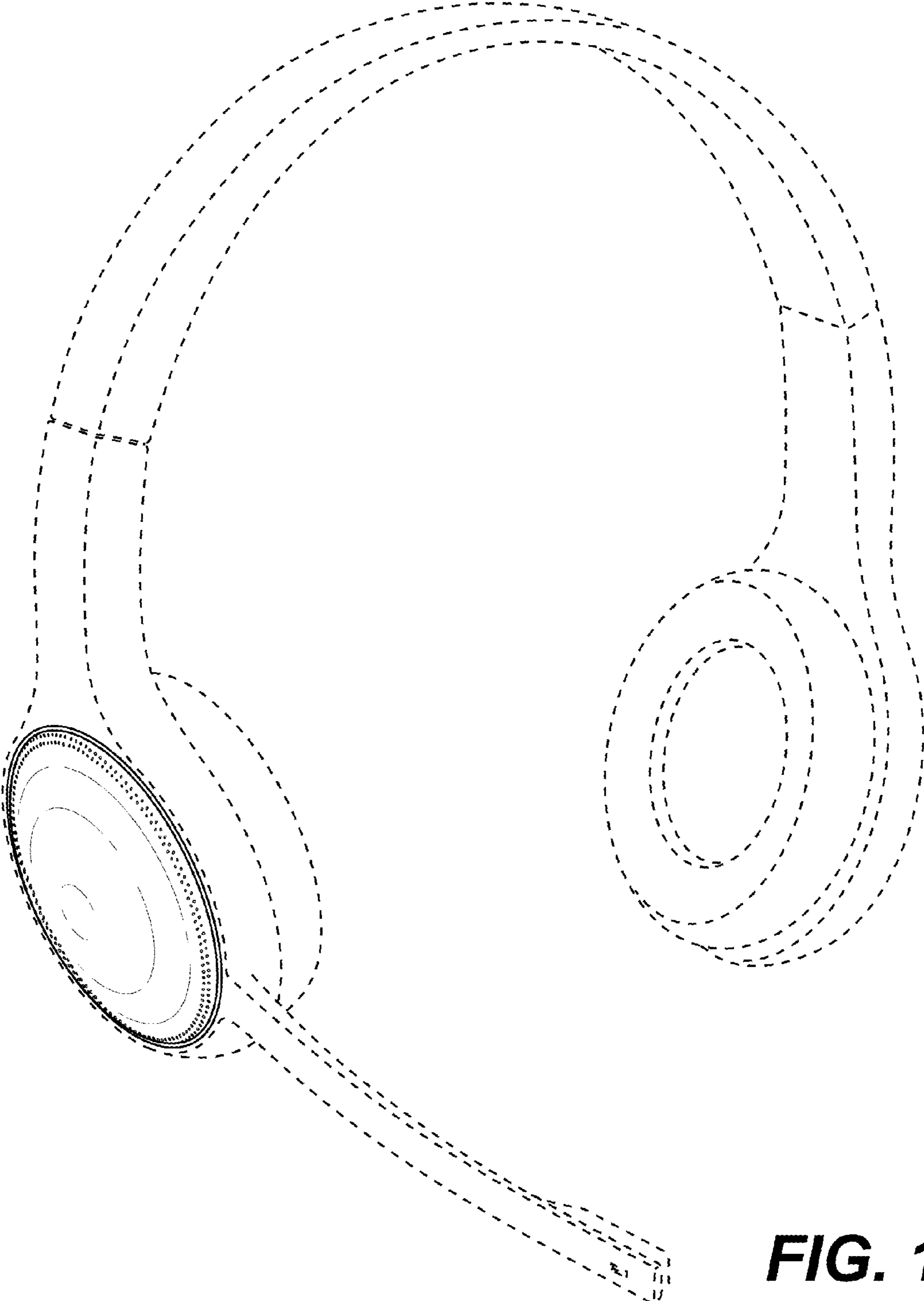


FIG. 1

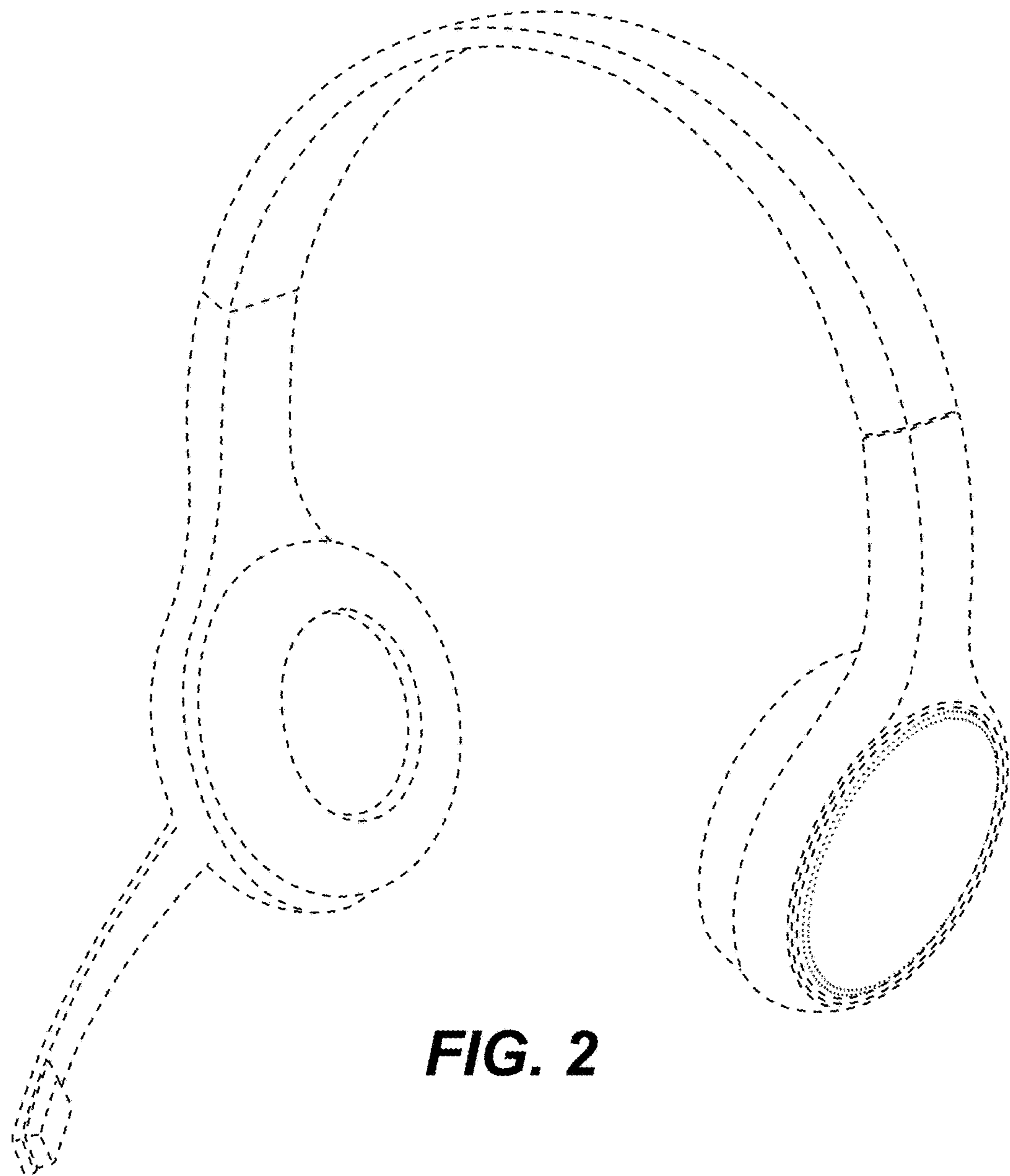


FIG. 2

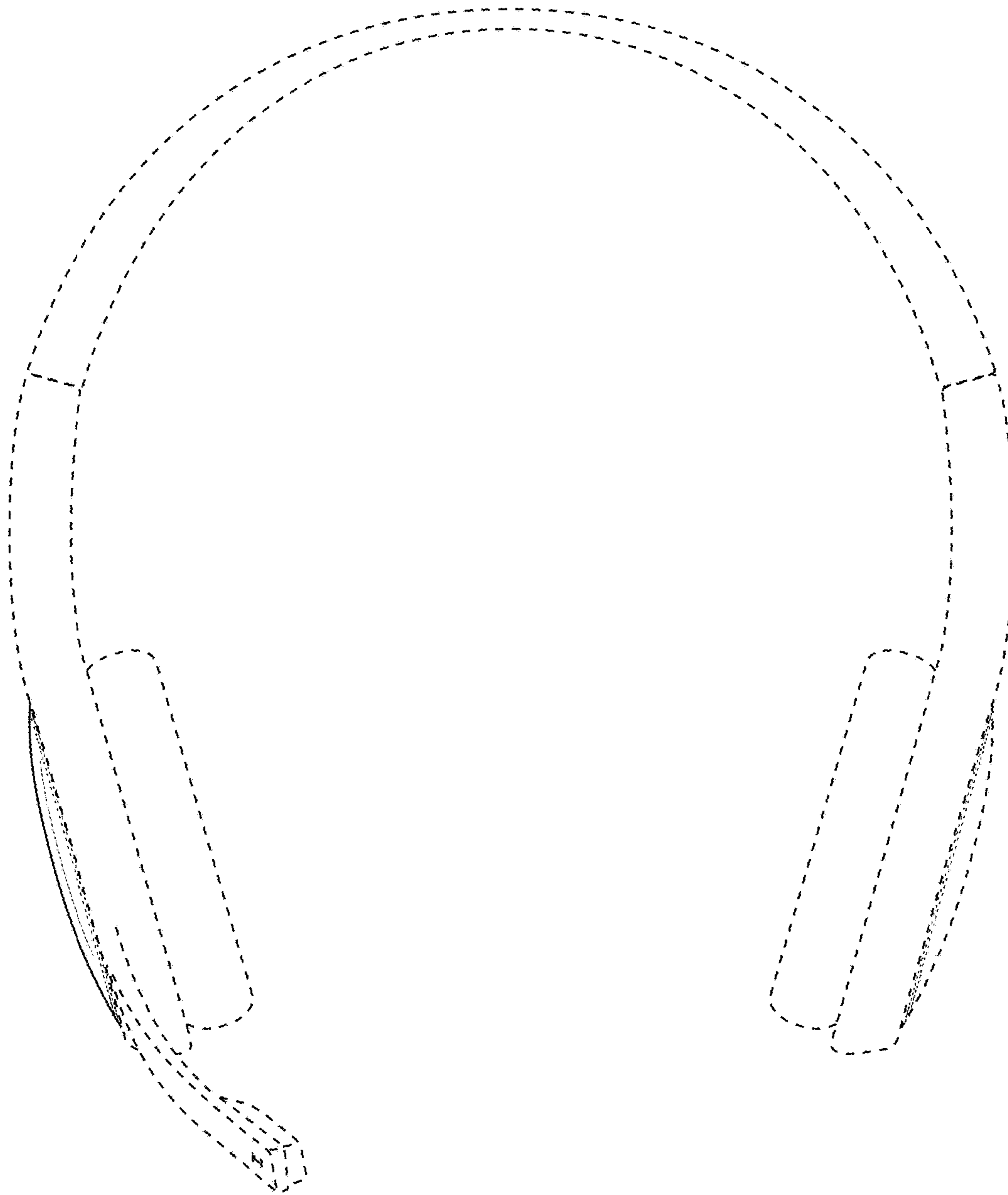


FIG. 3

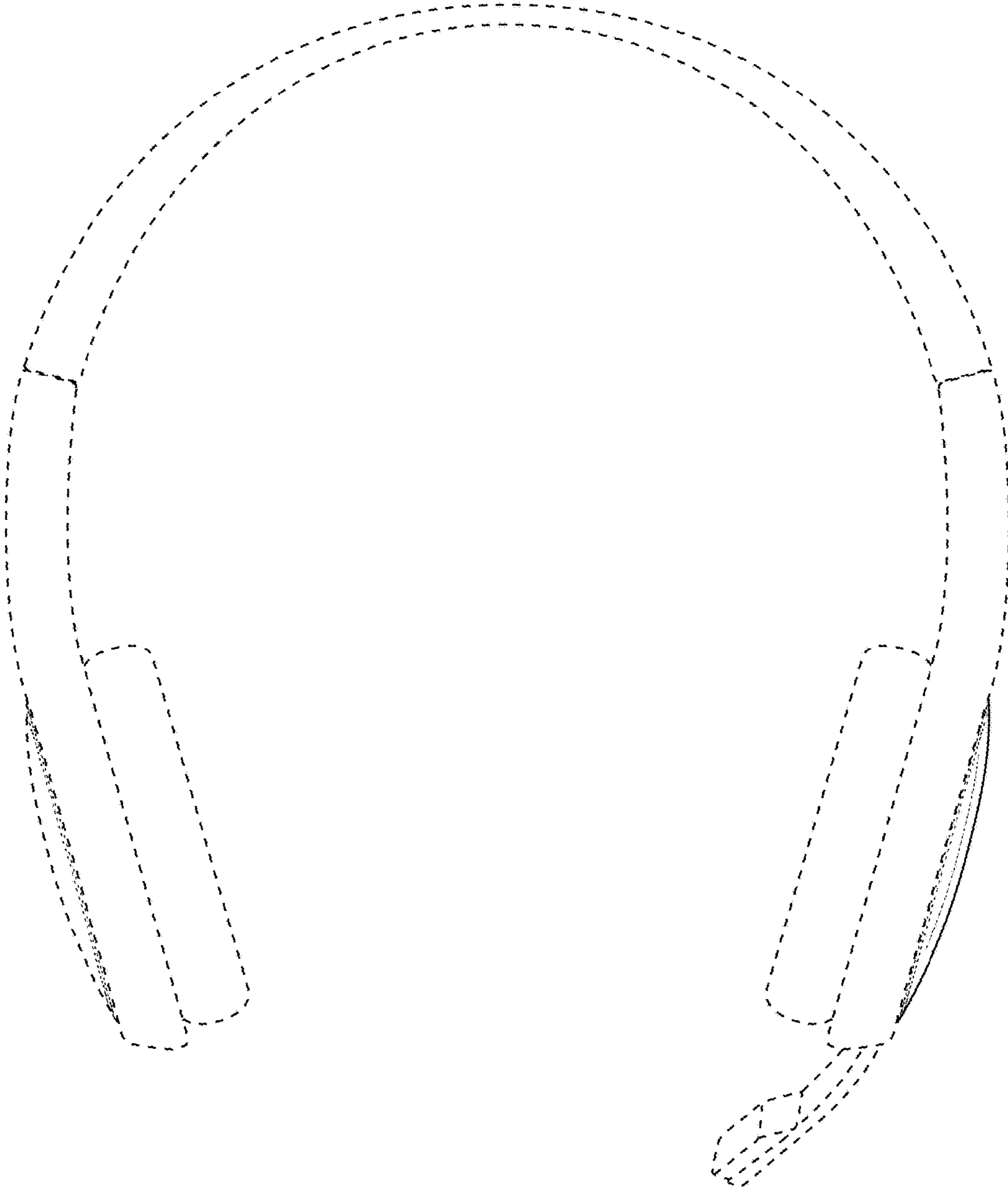


FIG. 4

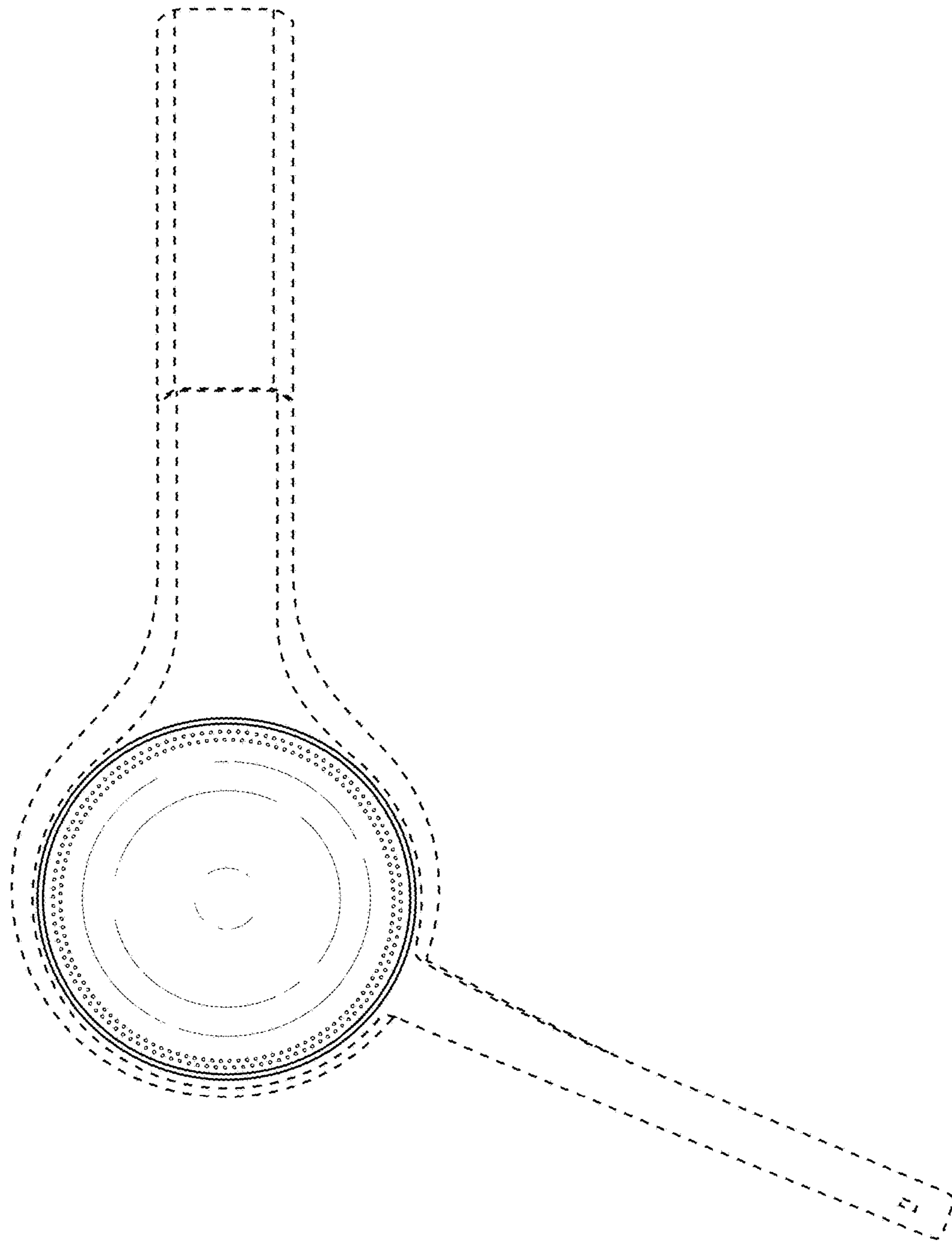


FIG. 5

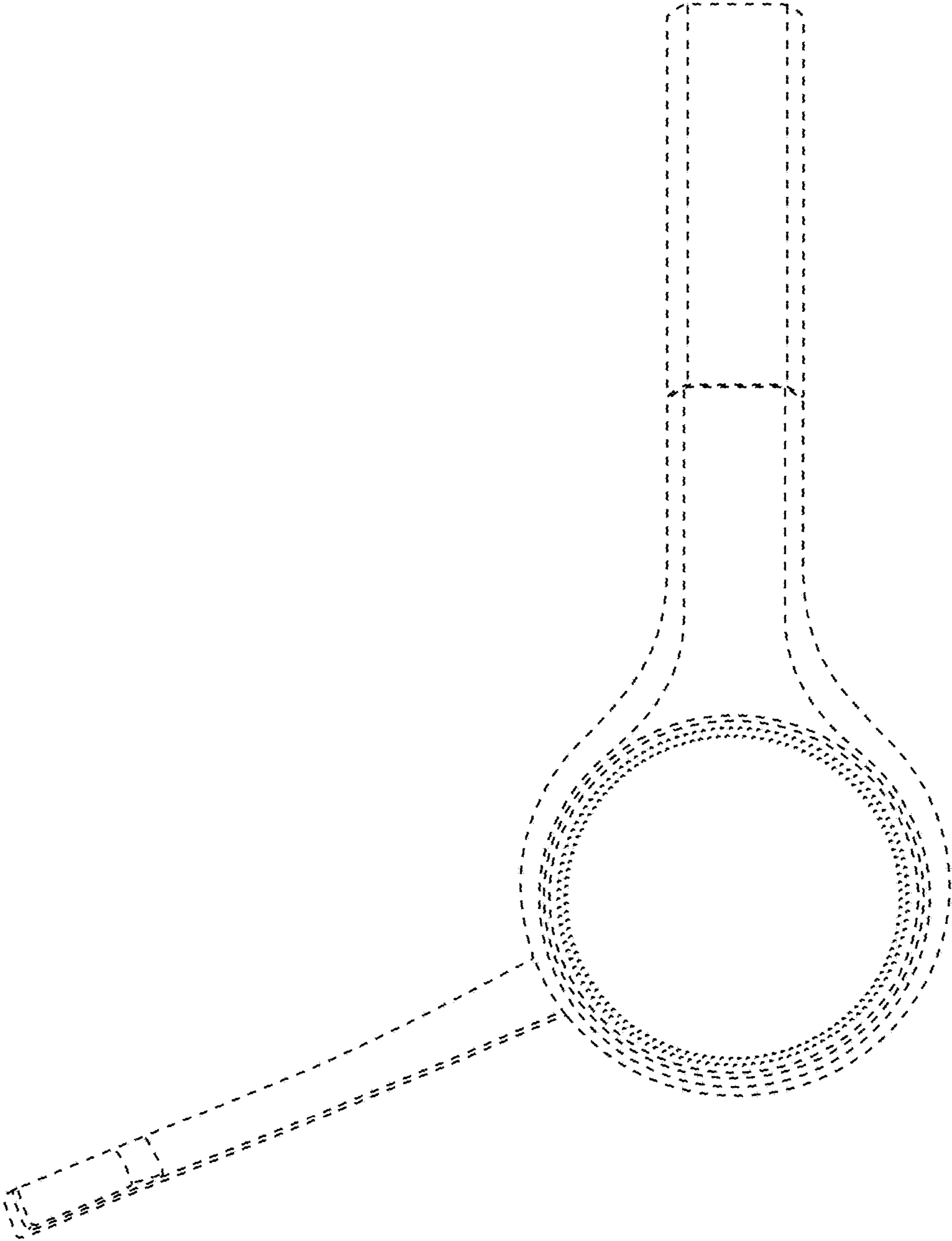


FIG. 6

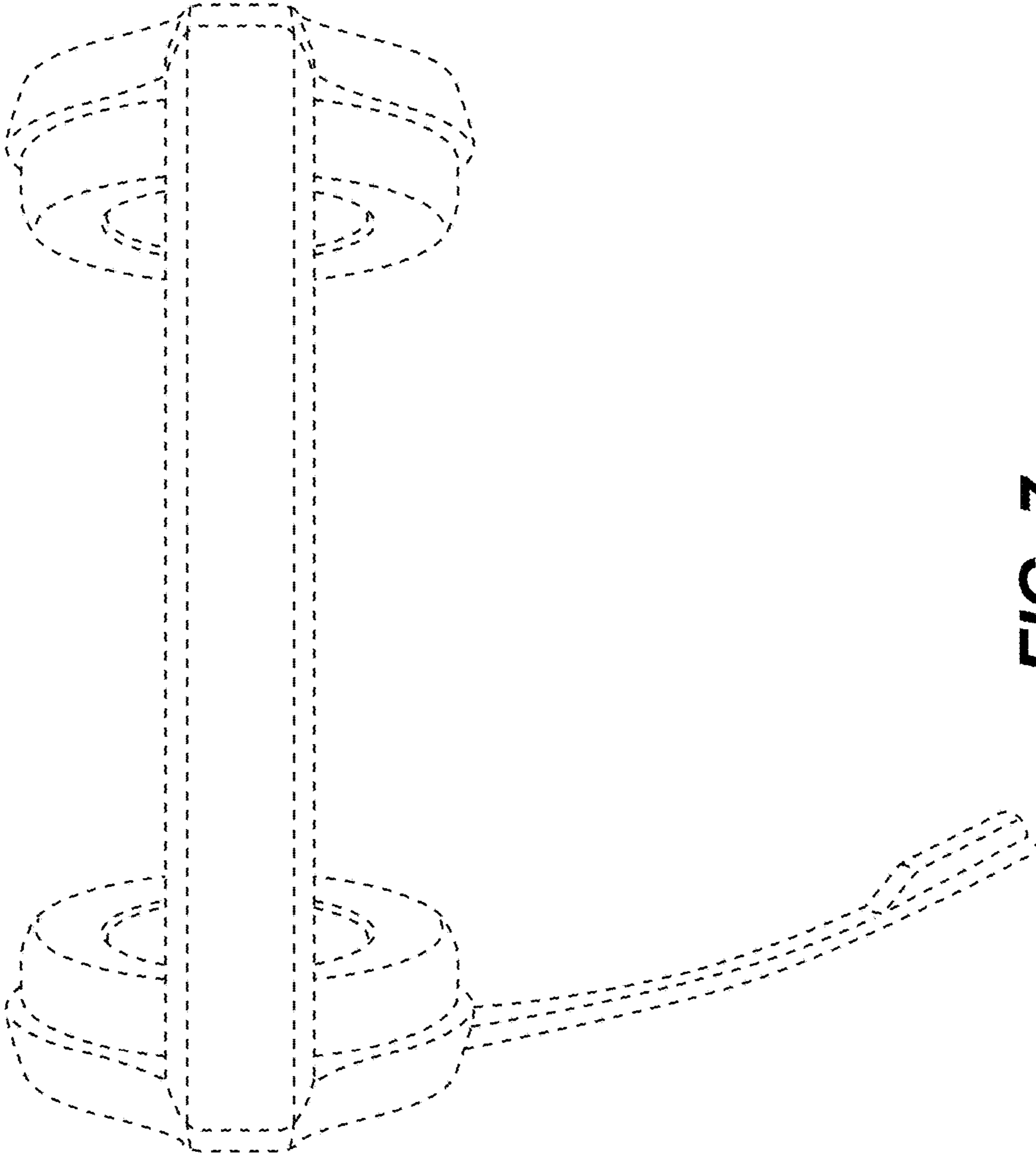


FIG. 7

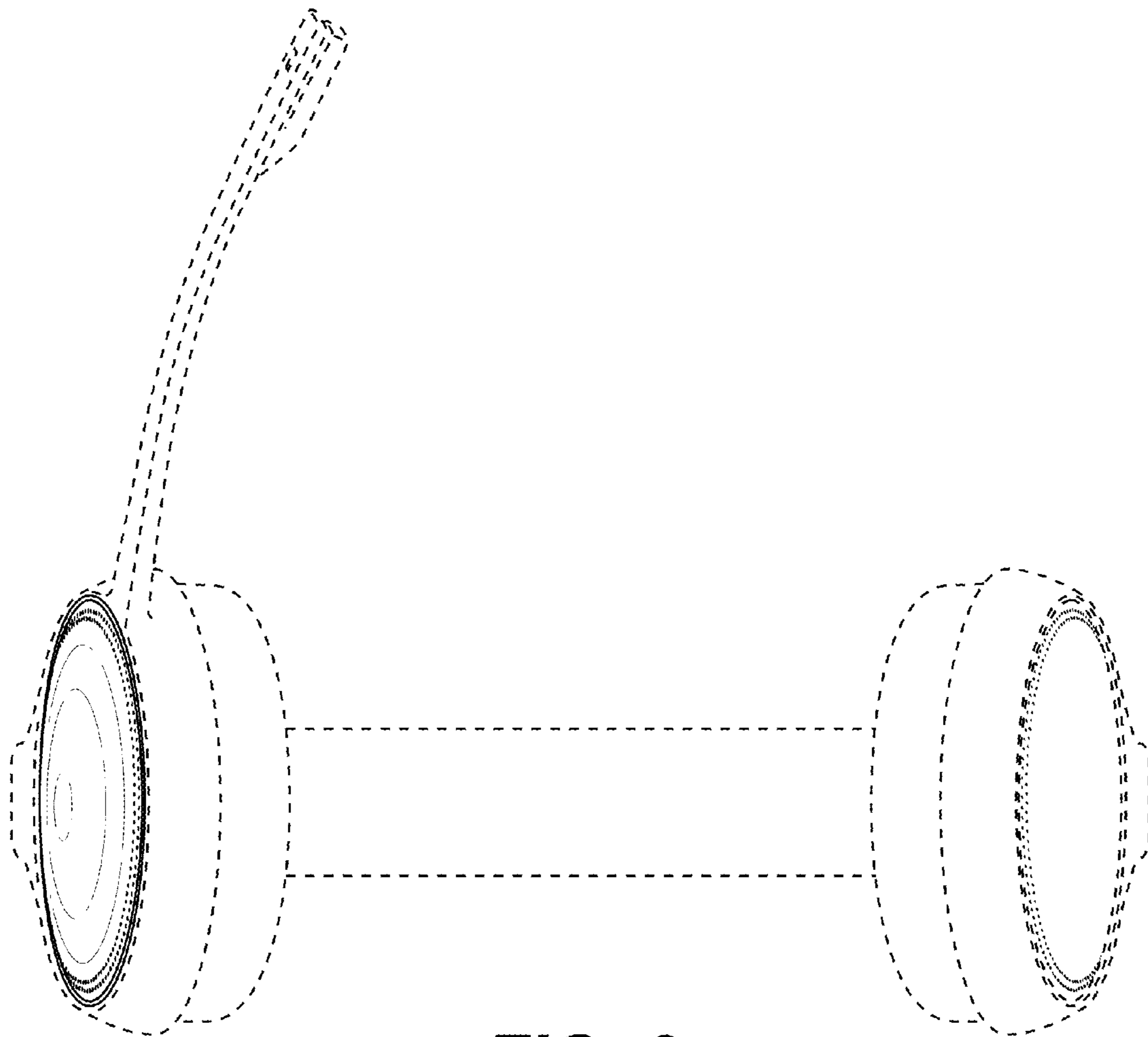


FIG. 8

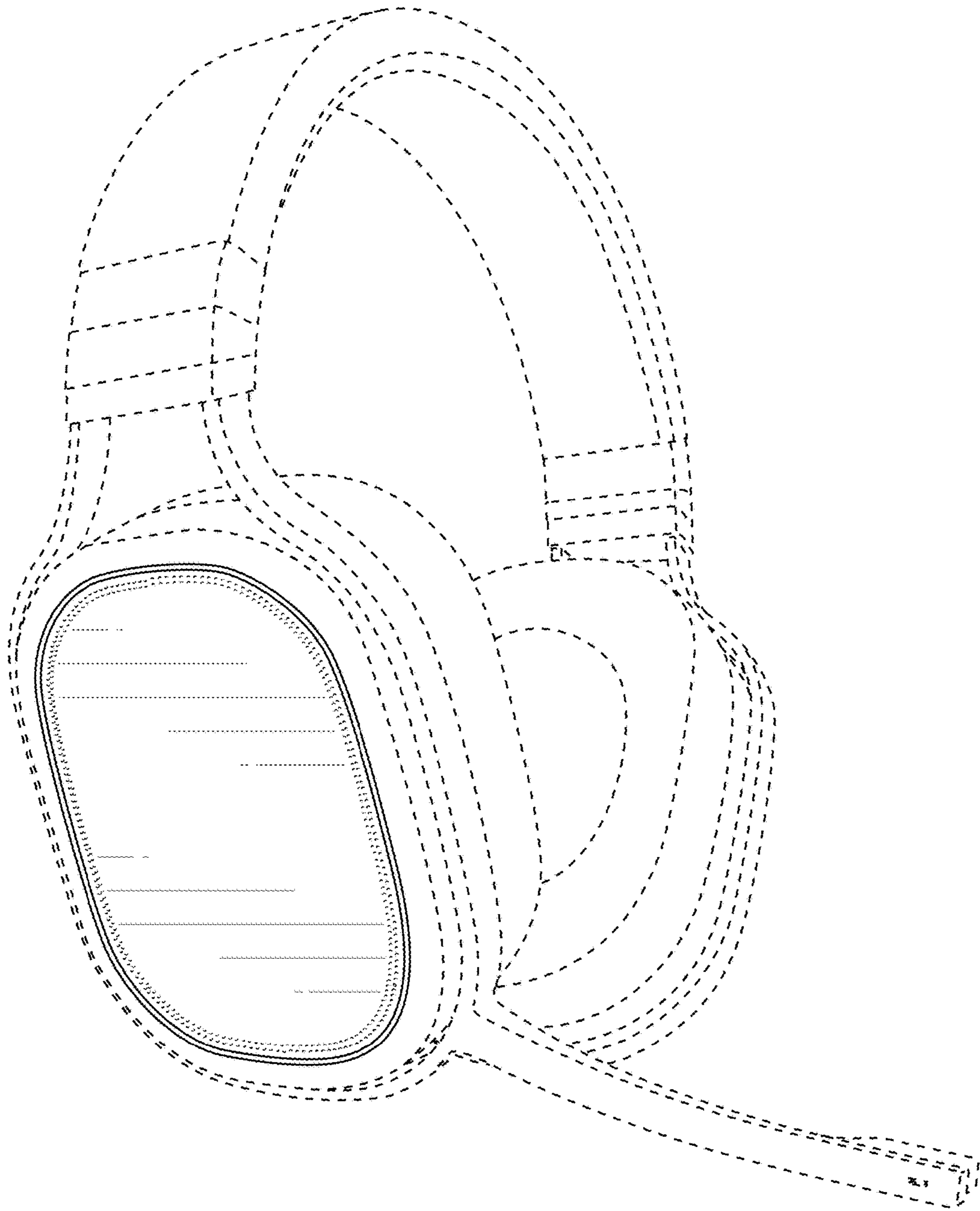


FIG. 9

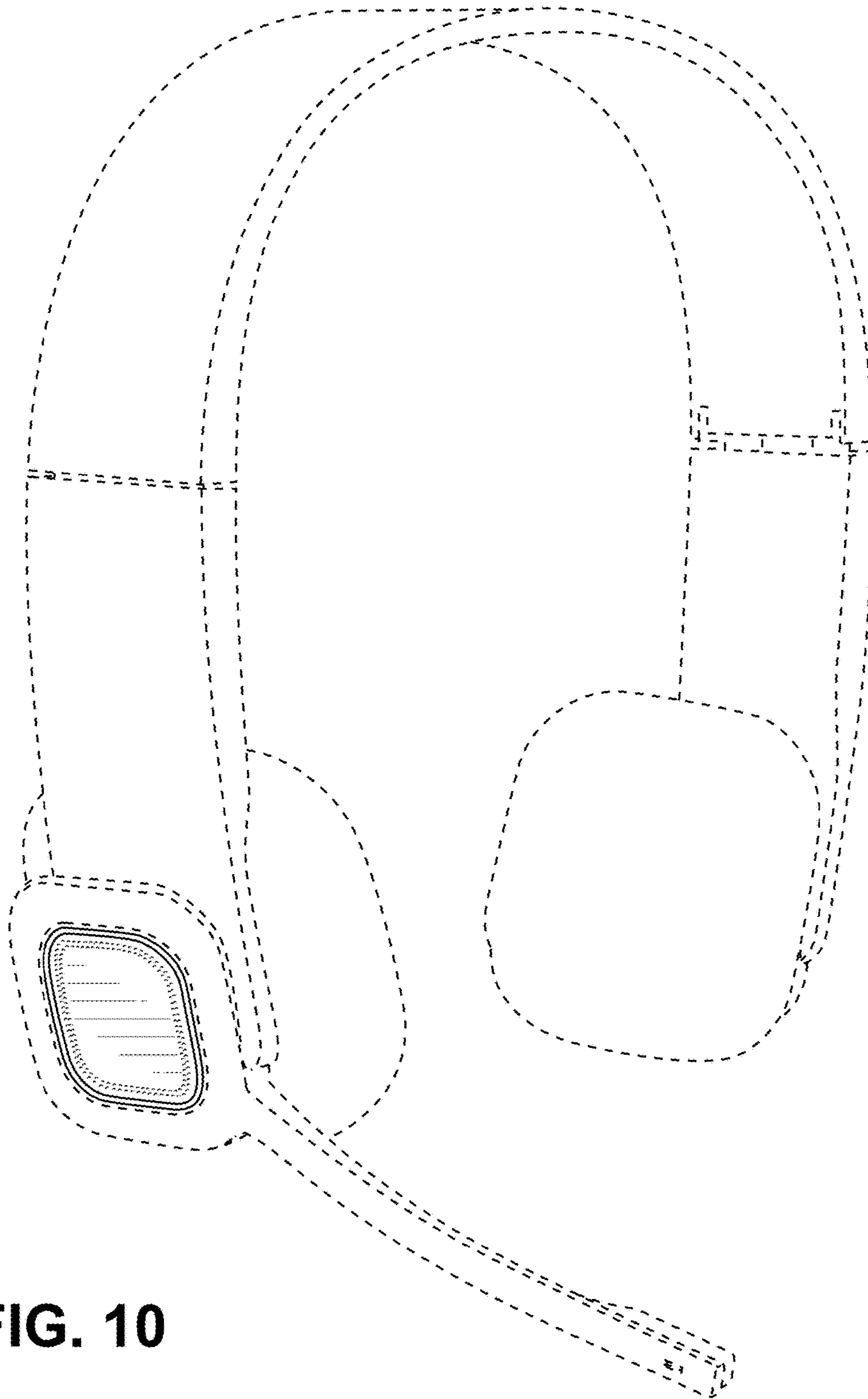


FIG. 10

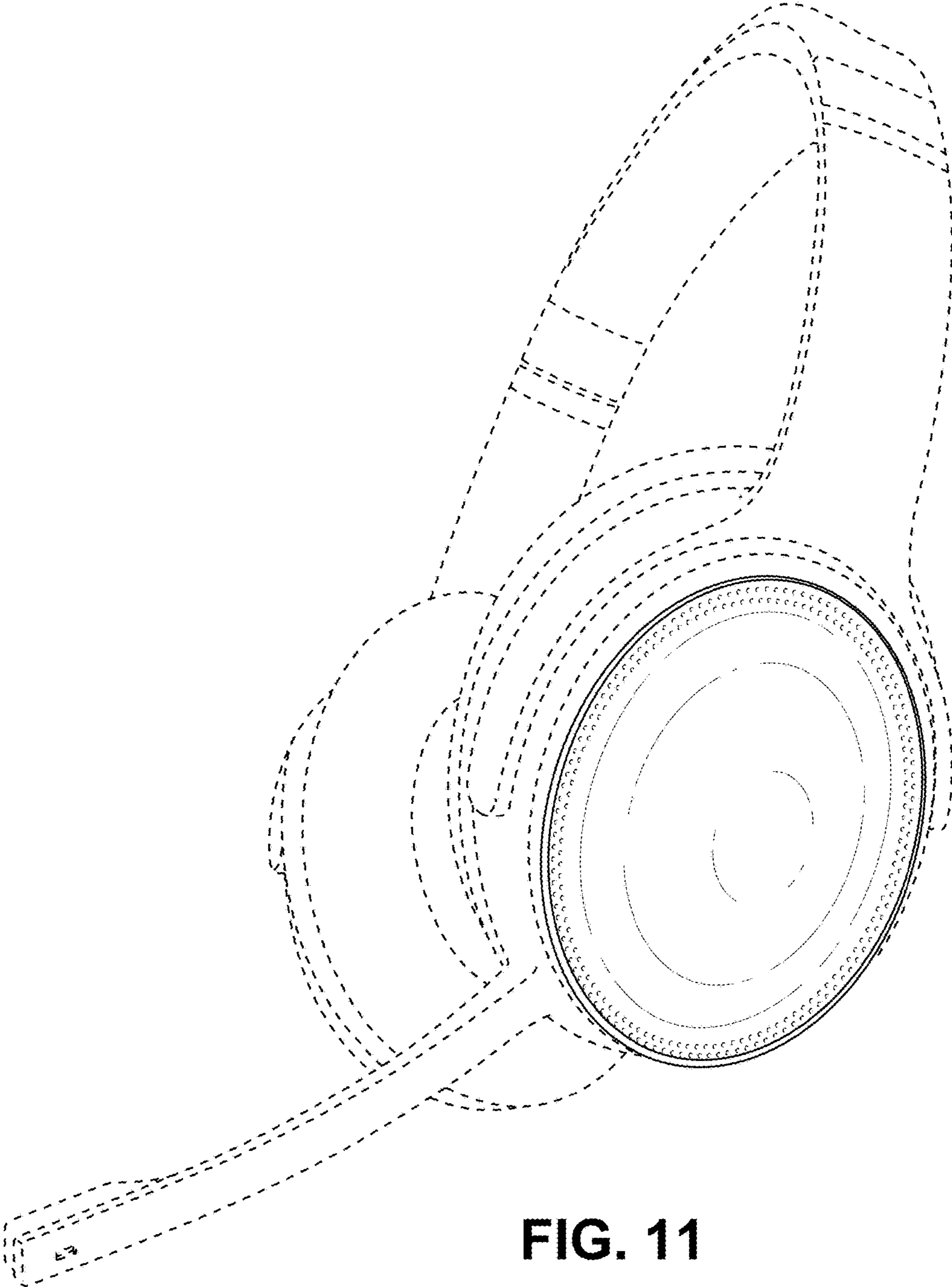


FIG. 11

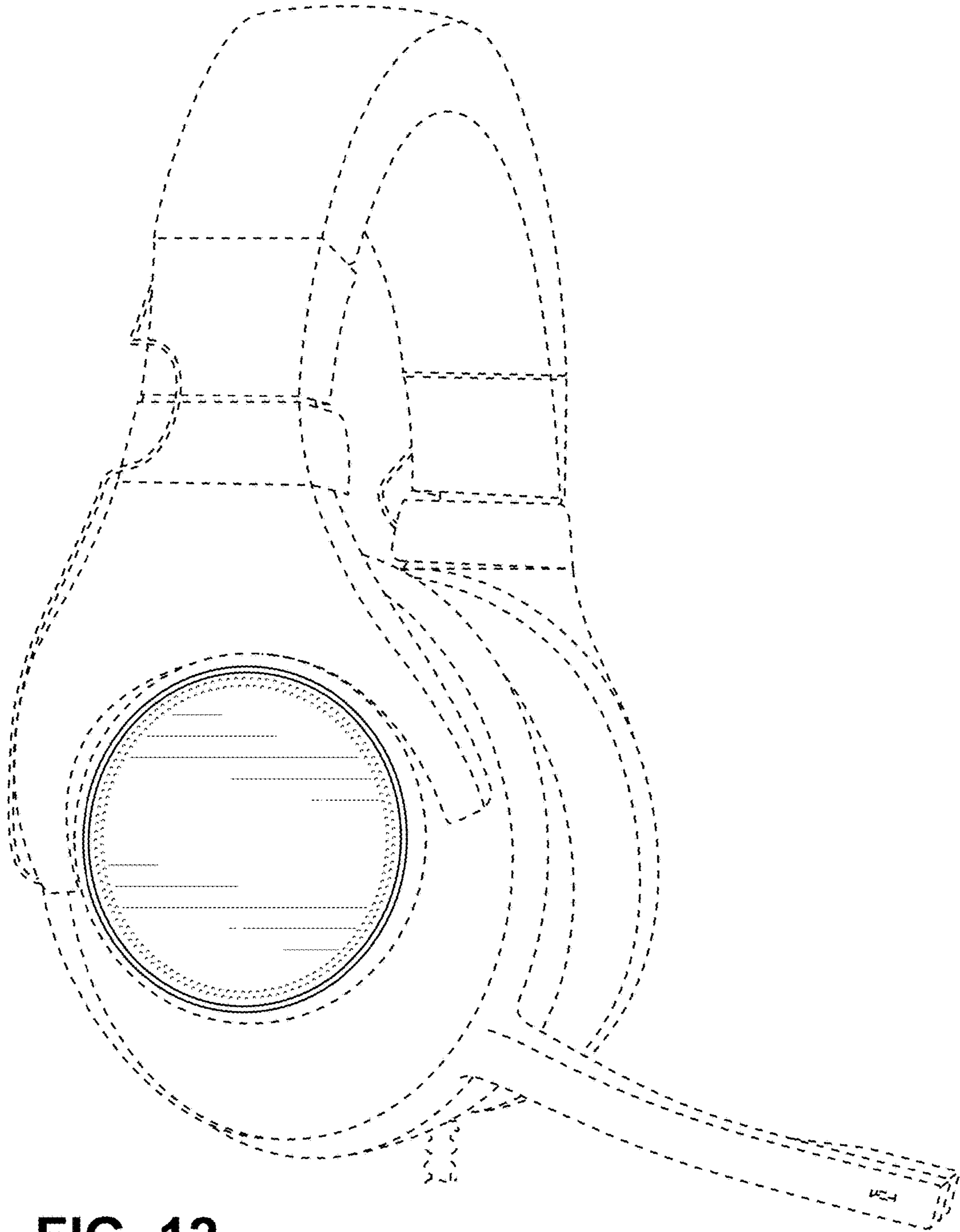


FIG. 12

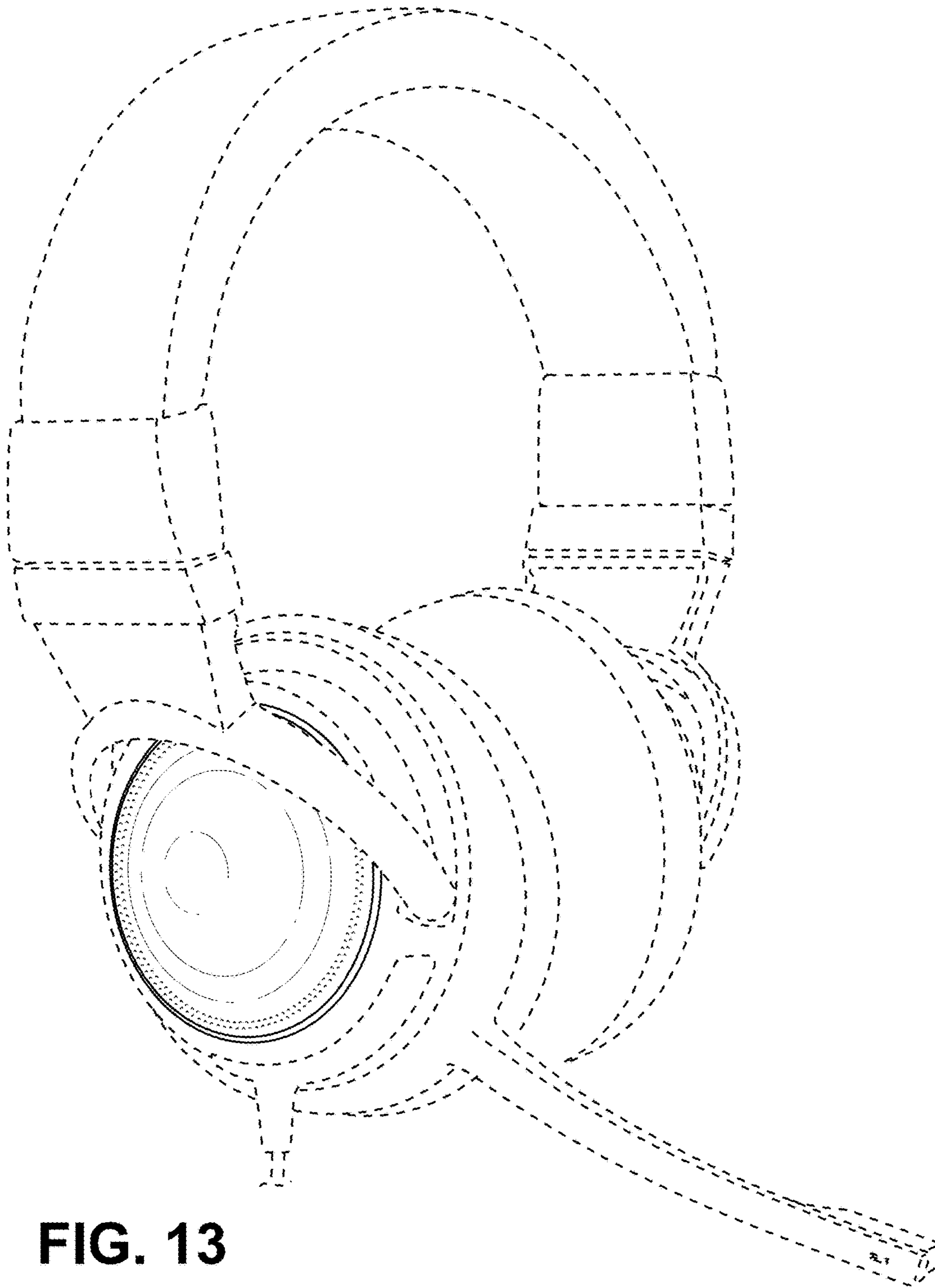


FIG. 13