



US00D869429S

(12) **United States Design Patent** (10) **Patent No.:** **US D869,429 S**
Zhan (45) **Date of Patent:** **** Dec. 10, 2019**

(54) **LOUDSPEAKER**

(71) Applicant: **Shenzhen Guona Technology Co., Ltd.**, Shenzhen (CN)

(72) Inventor: **Huaxin Zhan**, Shenzhen (CN)

(**) Term: **15 Years**

(21) Appl. No.: **29/648,308**

(22) Filed: **May 21, 2018**

(51) **LOC (12) Cl.** **14-01**

(52) **U.S. Cl.**
USPC **D14/204**; D14/207; D14/213

(58) **Field of Classification Search**

USPC D14/168, 188, 189, 194–196, 204, 207, D14/209–216, 219–220; D21/313, 405; 181/143–144, 0.5, 198–199, 151, 153; 381/300, 306, 332, 345, 361–364, 381/386–388, 336; 446/45, 212, 52; D7/604, 605, 606; D26/32; D9/686, D9/757; D22/100, 105, 108, 115–116; 102/501, 503, 524; D24/200, 211, 215, D24/141; 600/38, 39; 601/45, 46, 68, 601/69, 70, 72, 80, 84, 85, 87, 89, 94, 601/122, 125, 137, DIG. 12, DIG. 16

CPC B60R 11/0217; G06F 1/1688; G10K 9/22; G10K 11/004; H03F 1/327; H04M 1/03; H04M 1/035; H04N 5/642; H04N 21/4852; H04S 3/00; H04S 7/30; H04R 1/02; H04R 1/06; H04R 1/021; H04R 1/025; H04R 1/026; H04R 1/028; H04R 1/105; H04R 1/323; H04R 1/403; H04R 1/2803; H04R 1/2834; H04R 5/02; H04R 7/20; H04R 9/06; H04R 9/025; H04R 2201/021; H04R 2400/00; H04R 2400/07; H04R 2499/11; H04R 2499/13; H04R 2499/15

See application file for complete search history.

(56) **References Cited**

U.S. PATENT DOCUMENTS

3,486,578 A * 12/1969 Albarino H04R 1/2842
181/153
4,430,942 A * 2/1984 Heyman F42B 14/06
102/520
D407,633 S * 4/1999 Jacobs D9/674
D444,171 S * 6/2001 McCullough D19/154
D460,398 S * 7/2002 Berry D12/213
D474,237 S * 5/2003 Levine D19/138
D504,916 S * 5/2005 Yeh D19/182
D534,525 S * 1/2007 Peng D14/216
D546,657 S * 7/2007 Buening D8/103

(Continued)

OTHER PUBLICATIONS

Bullet Shape Portable Speaker, TheApolloBox.com, [online], [site visited Jun. 5, 2019]. URL: <https://www.theapollobox.com/product/s100/bullet-shape-portable-speaker> (Year: 2019).*

(Continued)

Primary Examiner — T Chase Nelson
Assistant Examiner — Jonathan J. Han

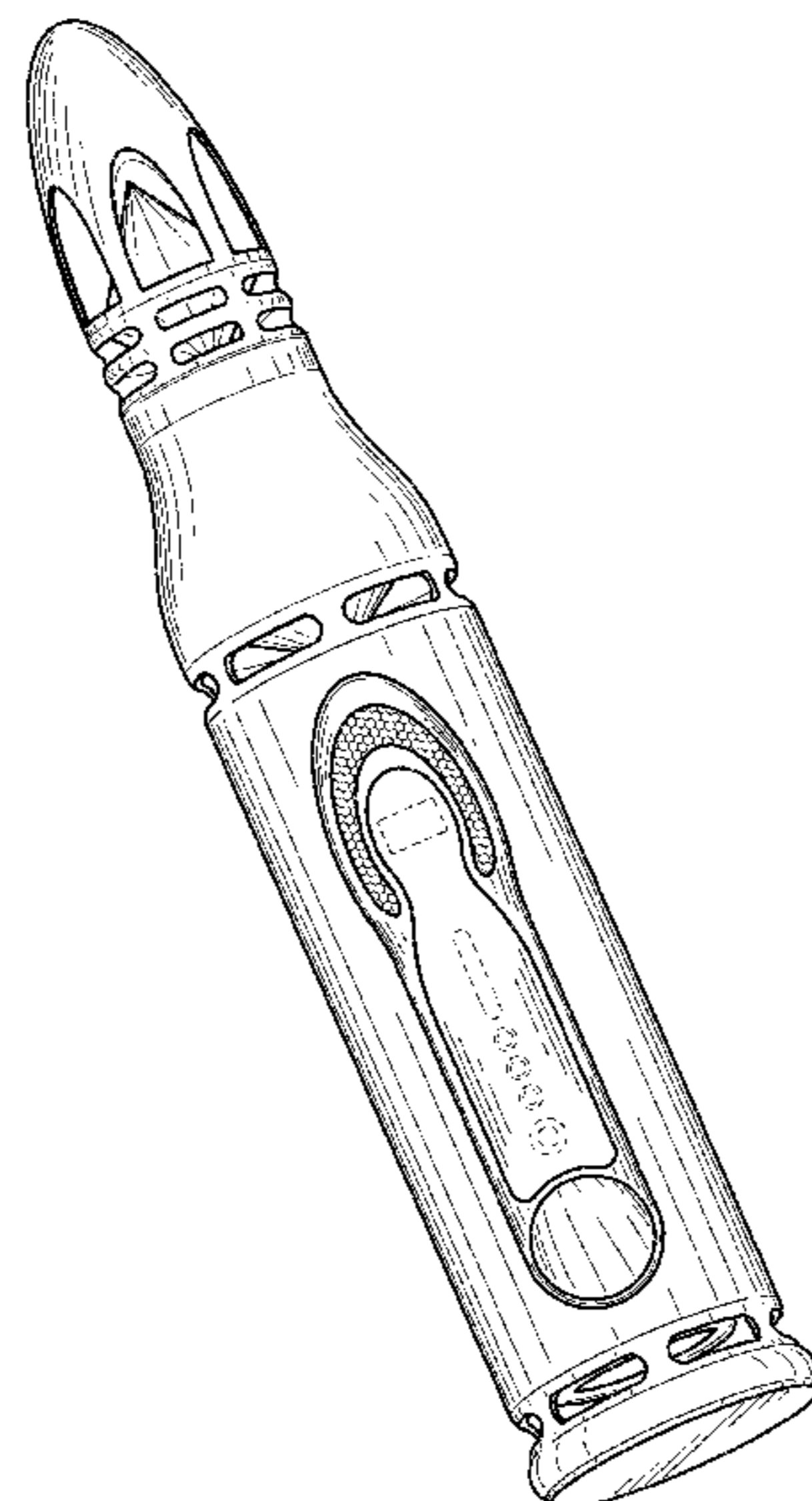
(57) **CLAIM**

The ornamental design for a loudspeaker, as shown and described.

DESCRIPTION

FIG. 1 is a perspective view of a loudspeaker showing the new design;
 FIG. 2 is a front view thereof;
 FIG. 3 is a rear view thereof;
 FIG. 4 is a top view thereof;
 FIG. 5 is a bottom view thereof;
 FIG. 6 is a left side view thereof; and,
 FIG. 7 is a right side view thereof.
 The broken lines in the figures are used to illustrate unclaimed features and form no part of the claimed design.

1 Claim, 6 Drawing Sheets



(56)

References Cited

U.S. PATENT DOCUMENTS

D563,100 S * 3/2008 Epling D3/262
 D563,391 S * 3/2008 Skurdal D14/172
 D591,727 S * 5/2009 Lui D14/216
 D604,719 S * 11/2009 Cornell D14/216
 D627,235 S * 11/2010 Lo D21/452
 D630,761 S * 1/2011 Marshall D24/215
 D646,179 S * 10/2011 Jansen D22/116
 D646,713 S * 10/2011 Maiaro D19/154
 D666,733 S * 9/2012 Caggiano D24/215
 D686,921 S * 7/2013 Odobescu D9/680
 8,657,766 B2 * 2/2014 Tuck A61H 19/44
 600/38
 D736,046 S * 8/2015 Crane D8/38
 D739,195 S * 9/2015 Scharch D8/38
 D744,590 S * 12/2015 Heusinger D19/154
 D759,189 S * 6/2016 Pederson D22/116
 D816,508 S * 5/2018 McArdle D9/674
 D820,815 S * 6/2018 Justis D14/214
 D830,143 S * 10/2018 Knirr D8/42

D836,457 S * 12/2018 Johnson D9/680
 D848,569 S * 5/2019 Peterson D22/116
 2006/0084837 A1 * 4/2006 Klearman A61H 19/44
 600/38

OTHER PUBLICATIONS

Bullet Shape MIC Wireless Bluetooth Music Speaker Built-in FM Radio with 7-Color Breathing Light (White), Paytmall.com, [online], [site visited Jun. 5, 2019]. URL: <https://paytmall.com/bullet-shape-mic-wireless-bluetooth-music-speaker-built-in-fm-radio-with-7-color-breathing-light-white-CMPLXCOMBULL> (Year: 2019).*

Wireless Bluetooth Earphone, Wulidasheng 2-in-1 Wireless Car Speaker, Amazon.com, Date first listed on Amazon: Mar. 18, 2019, [online], [site visited Jun. 5, 2019]. URL: <https://www.amazon.com/Wireless-Bluetooth-Earphone-Wulidasheng-Earphones/dp/B07PSFC7C1> (Year: 2019).*

PBS-C510, LG.com, [online], [site visited Jun. 5, 2019]. URL: <https://www.lg.com/us/home-audio/lg-PBS-C510-sound-360> (Year: 2019).*

* cited by examiner

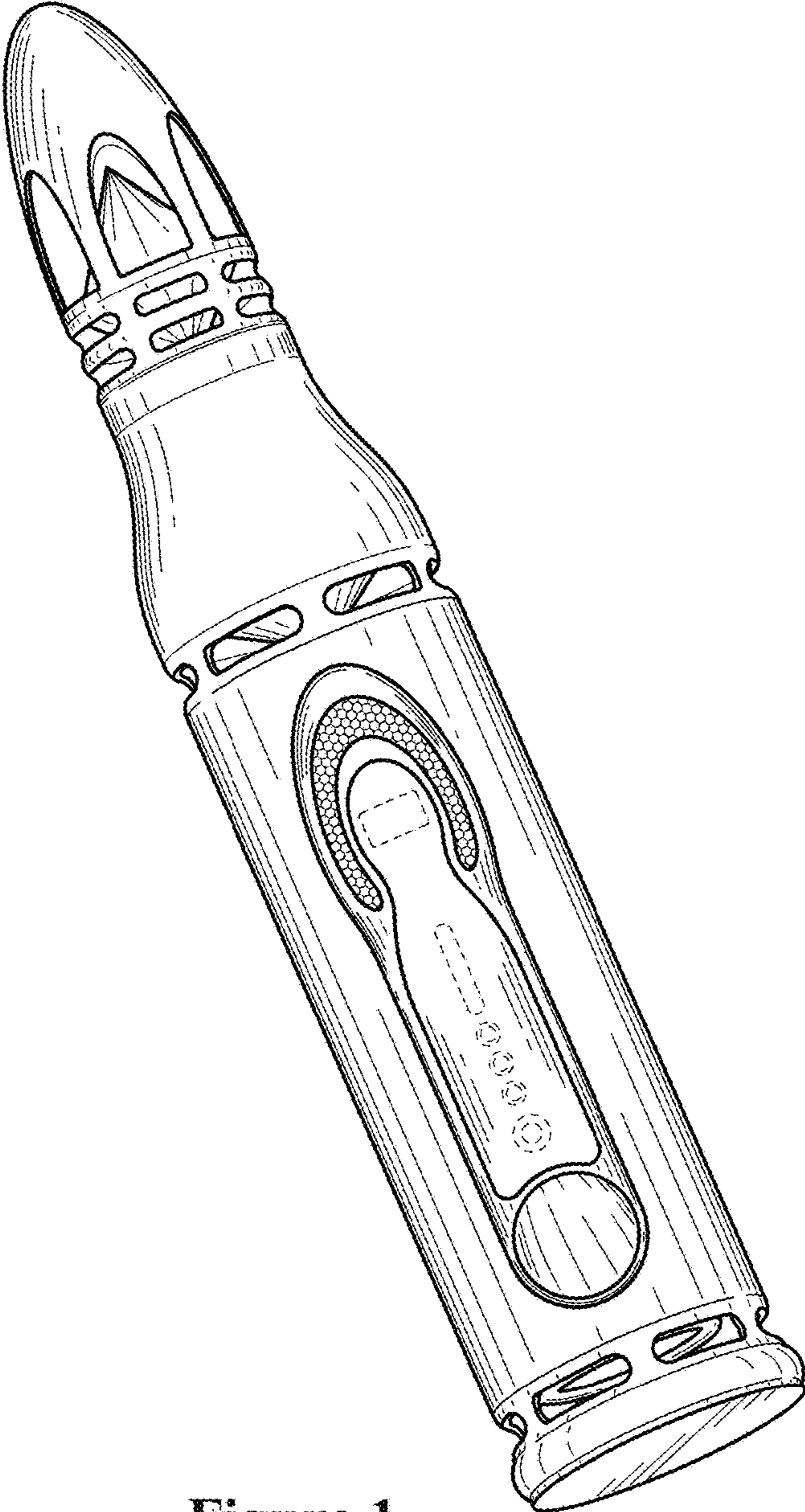


Figure 1

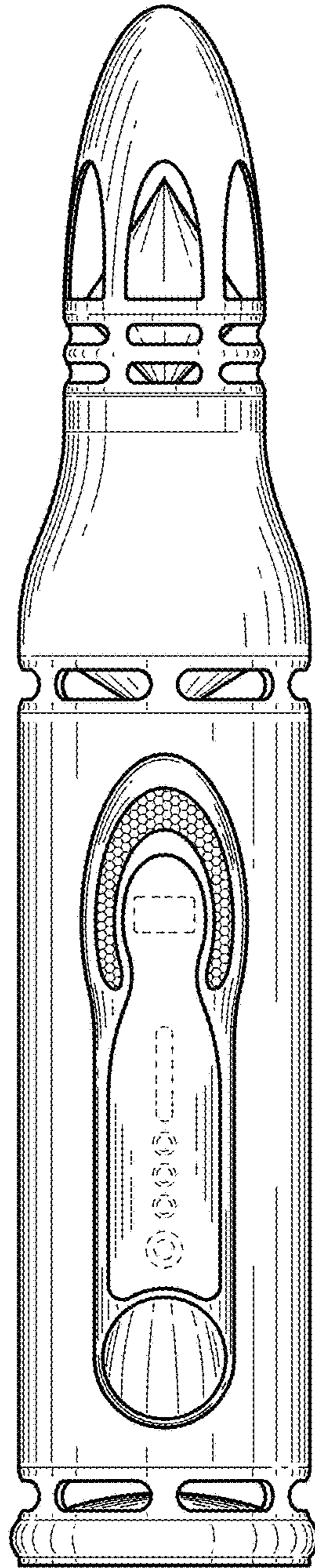


Figure 2

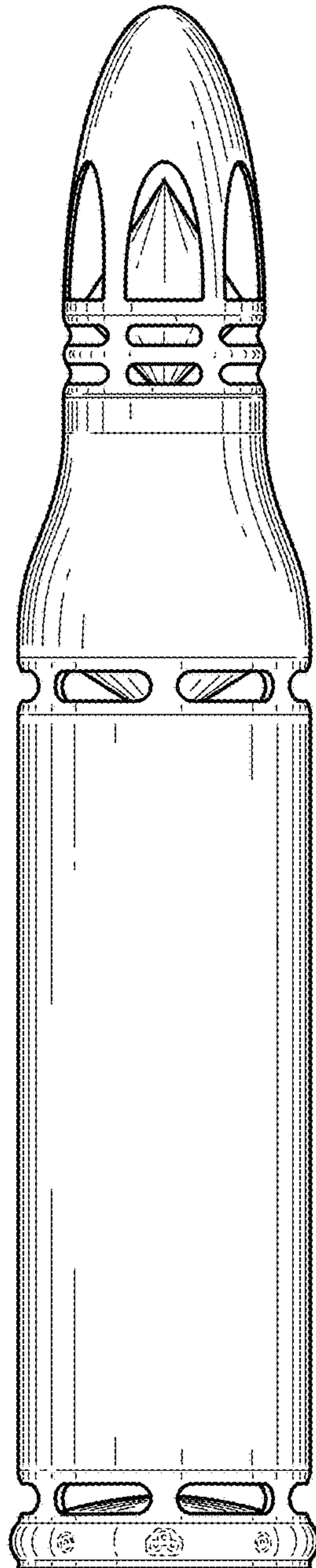


Figure 3

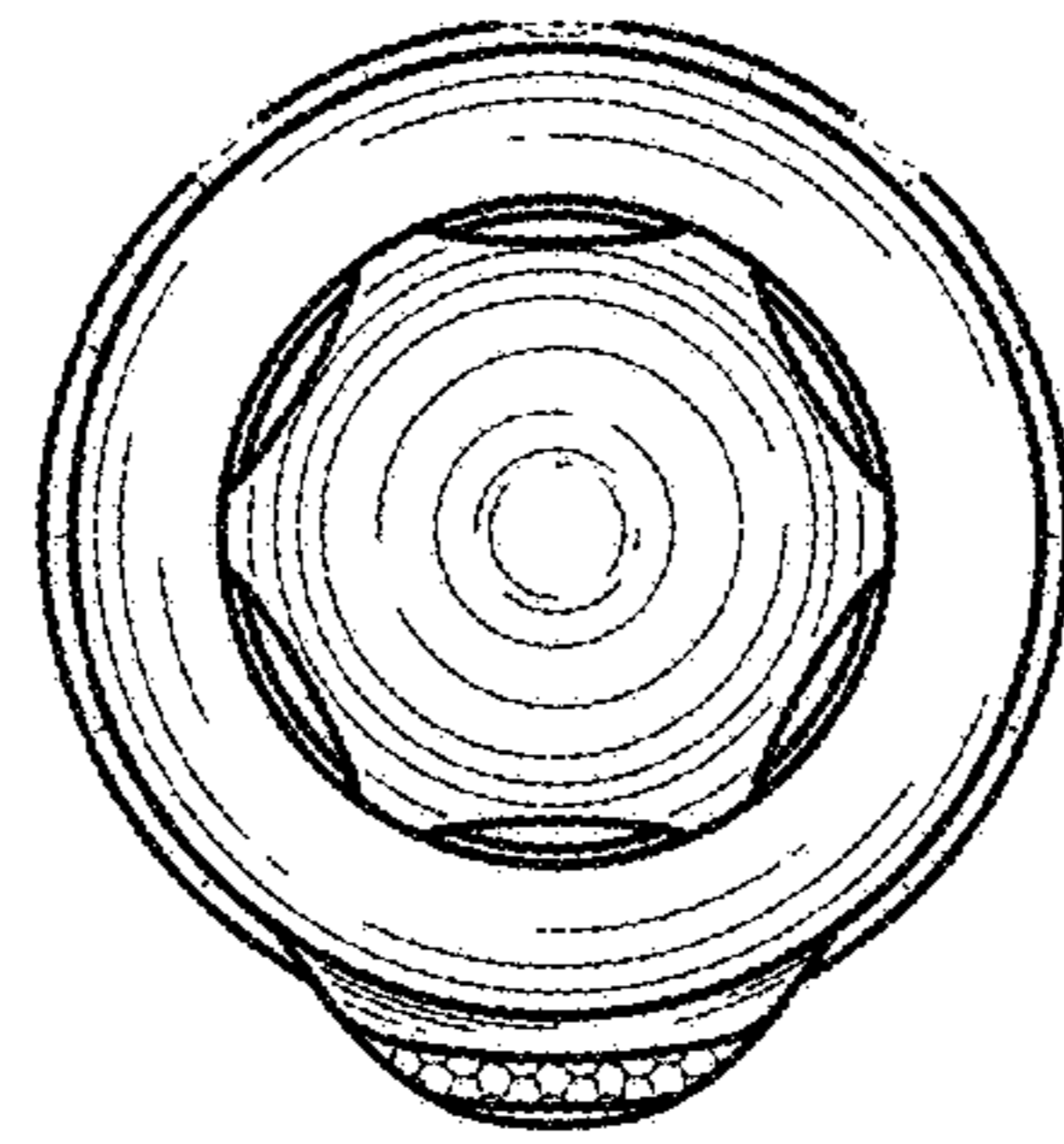


Figure 4

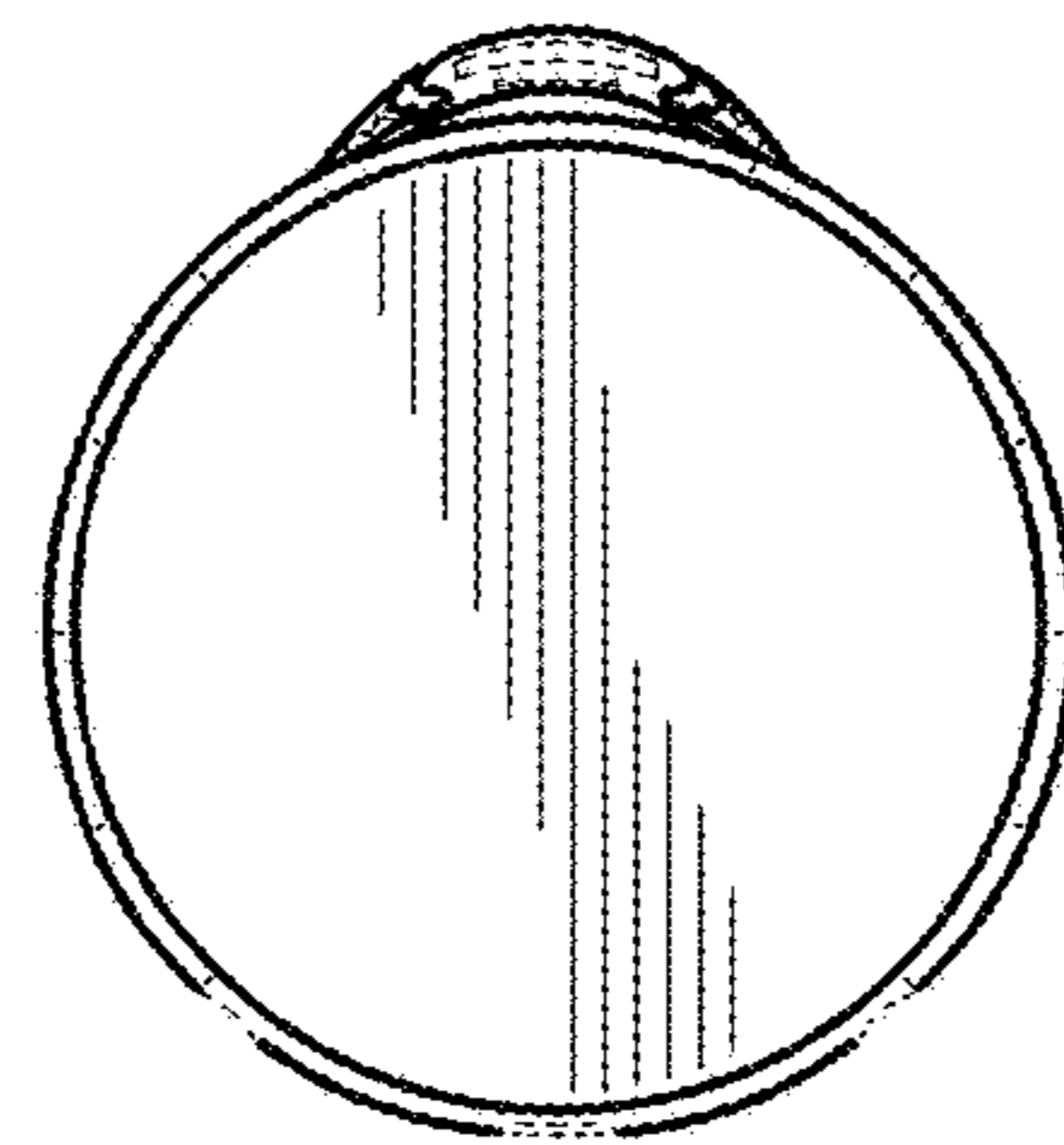


Figure 5

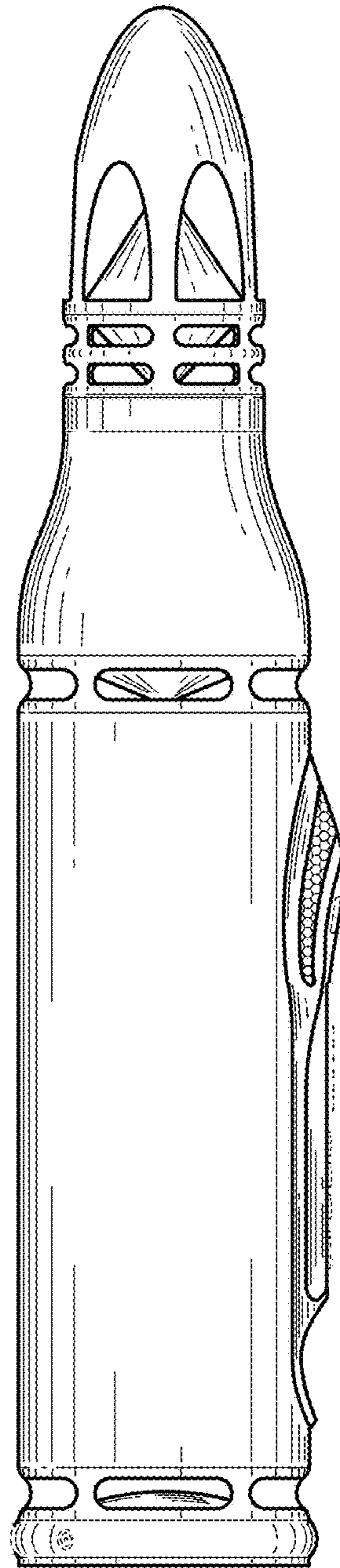


Figure 6

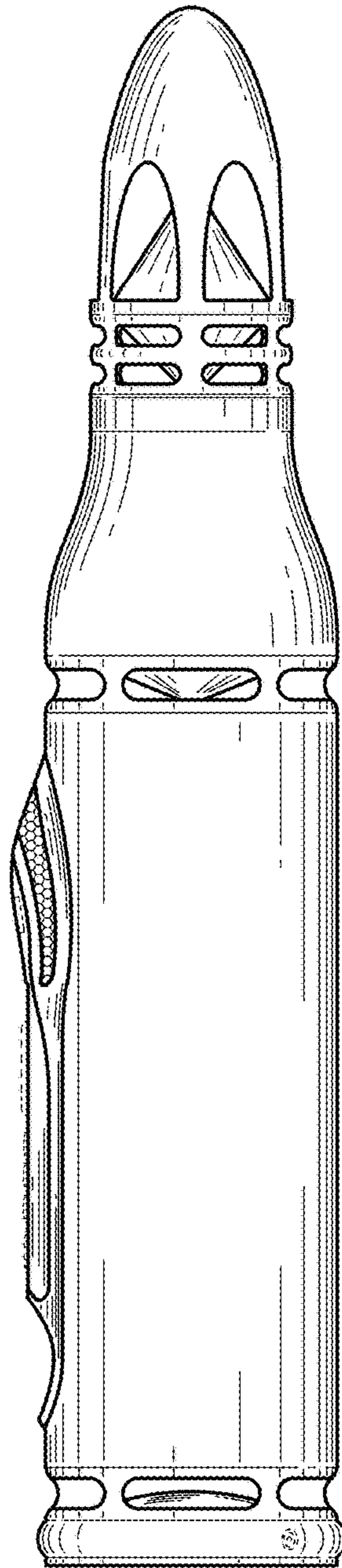


Figure 7