

US00D869427S

(12) **United States Design Patent**
Zhong

(10) **Patent No.:** **US D869,427 S**

(45) **Date of Patent:** **** Dec. 10, 2019**

(54) **SHELL OF DIGITAL VIDEO RECORDER**

(71) Applicant: **SHENZHEN KEAN DIGITAL CO., LTD.**, Shenzhen, Guangdong (CN)

(72) Inventor: **Dewei Zhong**, Shenzhen (CN)

(**) Term: **15 Years**

(21) Appl. No.: **29/641,555**

(22) Filed: **Mar. 22, 2018**

(51) **LOC (12) Cl.** **14-01**

(52) **U.S. Cl.**

USPC **D14/203.1**; D14/511

(58) **Field of Classification Search**

USPC D14/158, 160–165, 167–168, 172,
D14/188–189, 191, 203.1–203.6, 204,
D14/207–216, 217, 218, 226, 249, 299,
D14/341, 344, 345, 356, 358, 439, 480.1,
D14/480.3–480.5, 496, 498–505, 510,
D14/511, 257; D3/215, 218; D13/184
CPC G06F 1/1613; G06F 1/163; G06F 1/1633;
G06F 1/1681; G06F 13/10; G06F 13/12;
H04M 1/0202; H04M 1/05; H04M
1/6091; H04M 1/6066; H01R 12/00;
H04B 1/385; H05K 5/00; H05K 5/03;
H05K 5/04; G11B 33/00; G11B 33/02;
G11B 33/022; G11B 33/027; G11B
33/123

See application file for complete search history.

(56) **References Cited**

U.S. PATENT DOCUMENTS

D407,393 S * 3/1999 Kazama D14/125
D452,513 S * 12/2001 Uehara D14/496
D469,428 S * 1/2003 Senda D14/167
D476,764 S * 7/2003 Khovaylo D10/104.1
D485,245 S * 1/2004 Shiraki D14/506
D488,819 S * 4/2004 Nagao D14/125
D512,037 S * 11/2005 Huang D14/167

D530,689 S * 10/2006 Ishibashi D14/505
D542,249 S * 5/2007 Ishibashi D14/217
D547,286 S * 7/2007 Yuyama D14/506
D547,287 S * 7/2007 Yuyama D14/506
D600,719 S * 9/2009 Honda D14/503
D613,732 S * 4/2010 Uchiyama D14/257
D661,280 S * 6/2012 Asaka D14/172
D705,813 S * 5/2014 Deguchi D14/498
D716,263 S * 10/2014 Lewis D14/215
D748,073 S * 1/2016 Woo D14/204
D786,823 S * 5/2017 Seong D14/204
D791,774 S * 7/2017 Wilcox D14/444
D824,333 S * 7/2018 Wilcox D13/133
D825,466 S * 8/2018 Wilcox D13/133
D842,273 S * 3/2019 Kiong D14/214

* cited by examiner

Primary Examiner — Jeffrey D Asch

Assistant Examiner — Rebekah A Caruso

(74) *Attorney, Agent, or Firm* — Erson IP (Nelson IP)

(57) **CLAIM**

The ornamental design for a shell of digital video recorder, as shown and described.

DESCRIPTION

FIG. 1 is a front view of a shell of digital video recorder showing my new design;

FIG. 2 is a rear view of the shell of digital video recorder;

FIG. 3 is a left side elevation view of the shell of digital video recorder;

FIG. 4 is a right side elevation view of the shell of digital video recorder;

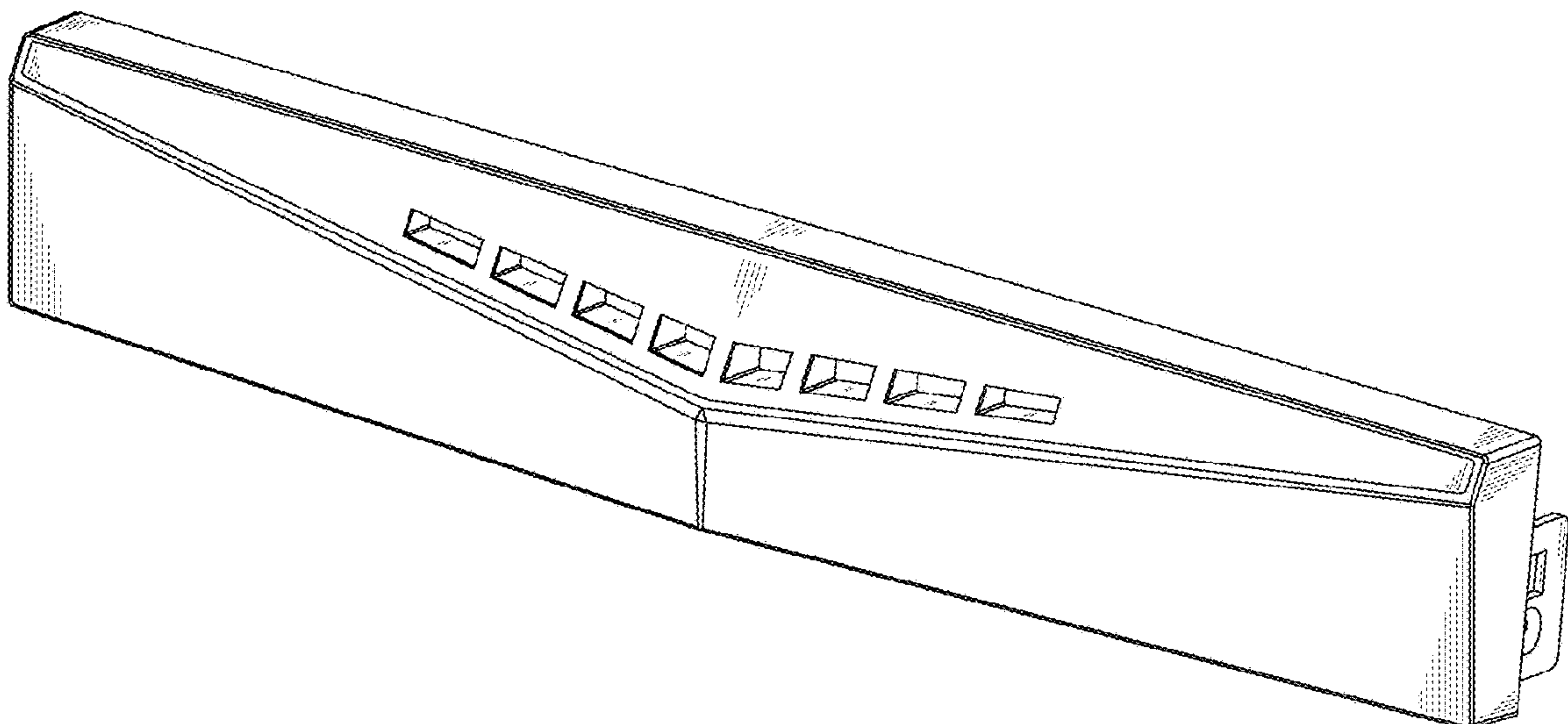
FIG. 5 is a top view of the shell of digital video recorder;

FIG. 6 is a bottom view of the shell of digital video recorder; and,

FIG. 7 is a perspective view of the shell of digital video recorder.

The elements and portions shown in broken lines in the drawings depict parts the shell of digital video recorder that form no part of the claimed design.

1 Claim, 6 Drawing Sheets



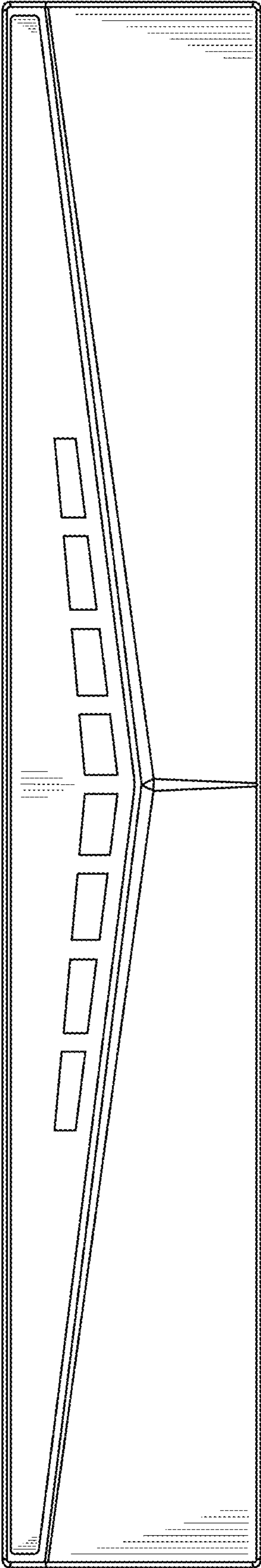


FIG. 1

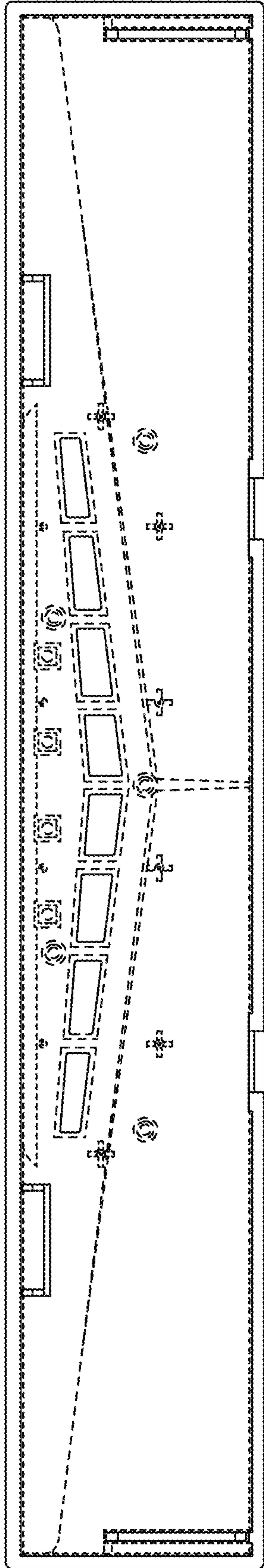


FIG. 2

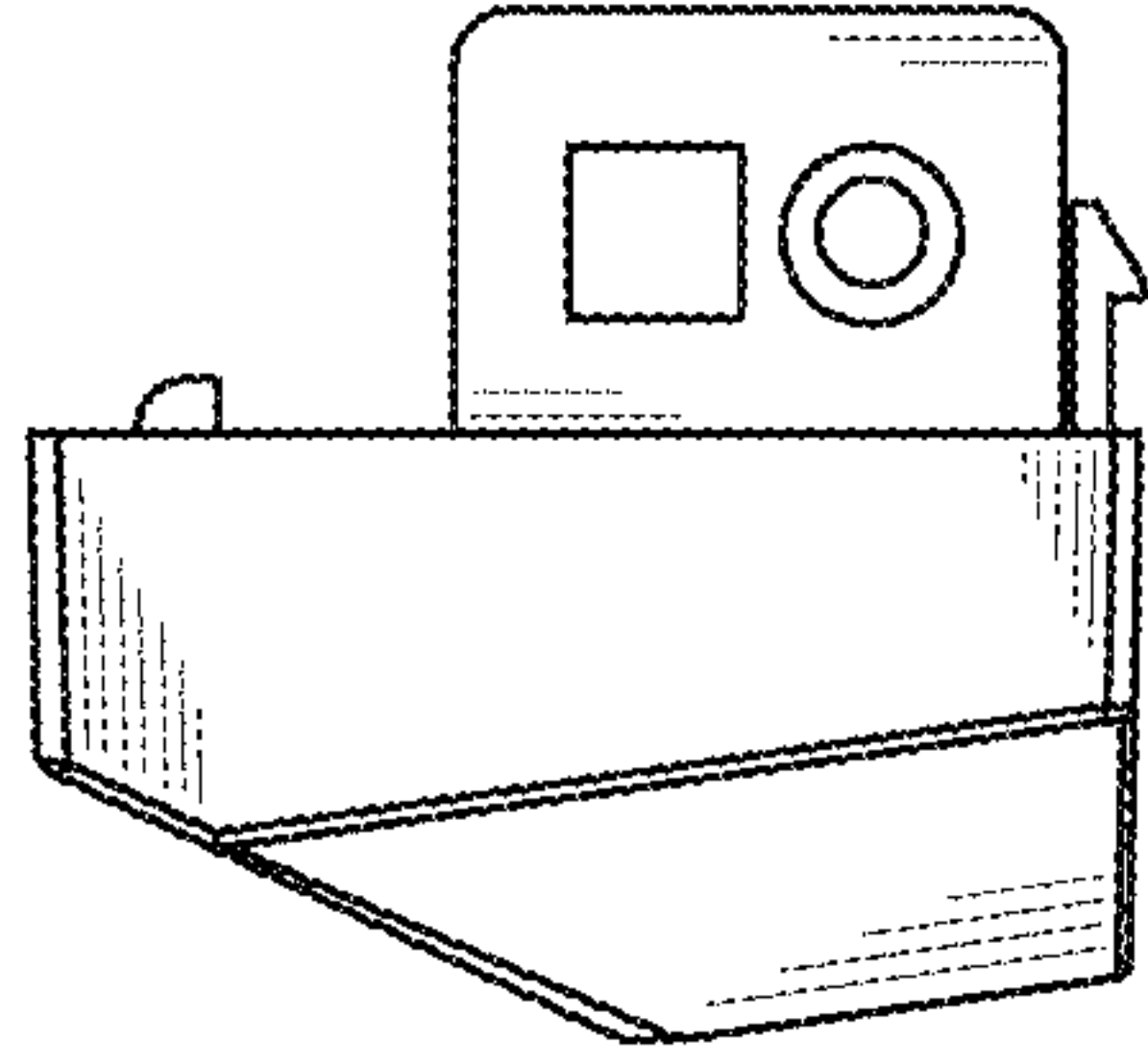


FIG. 4

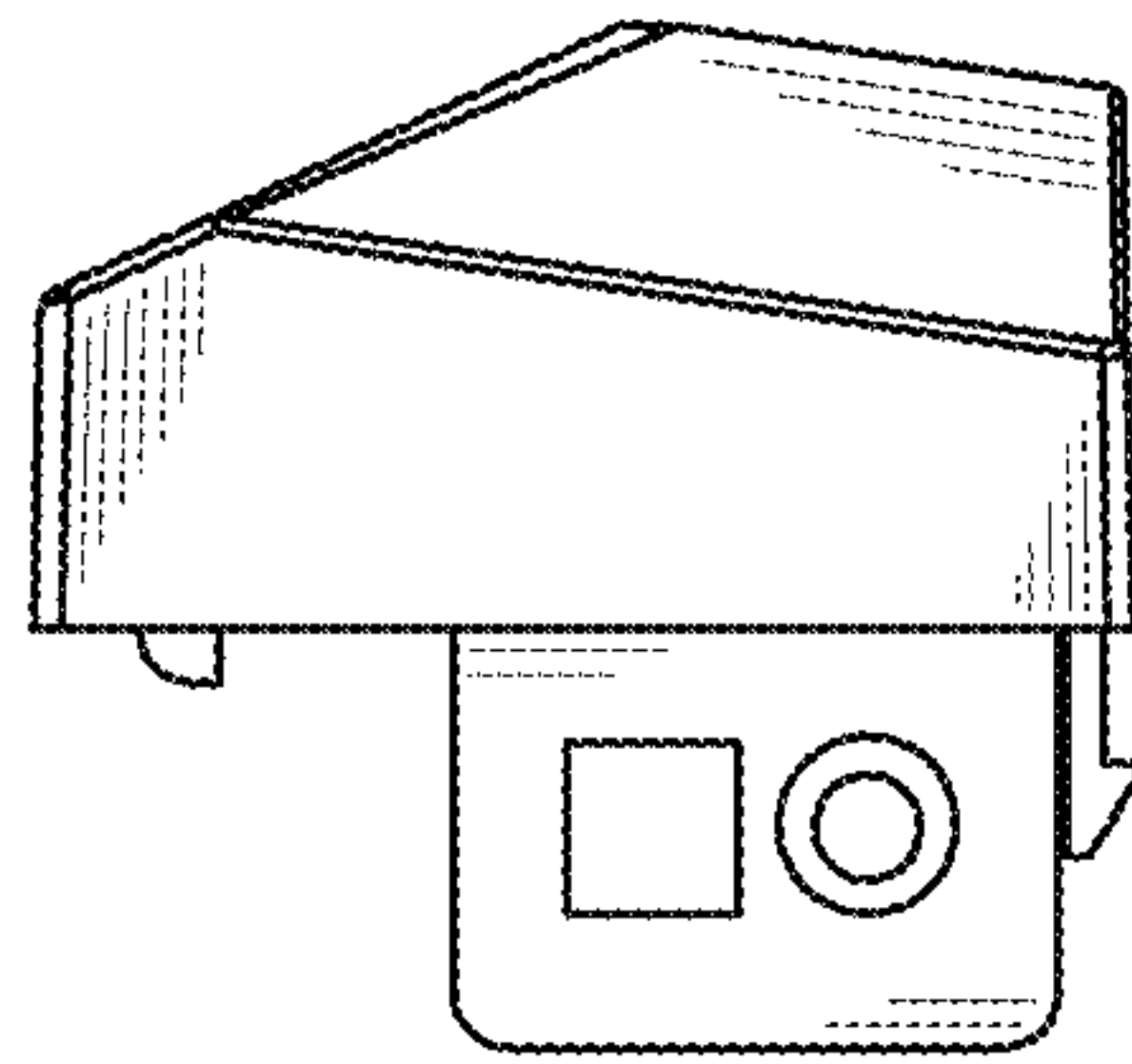


FIG. 3

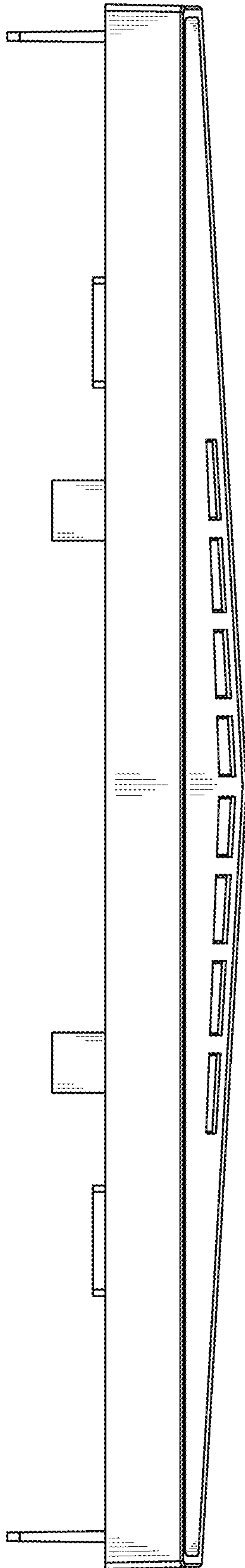


FIG. 5

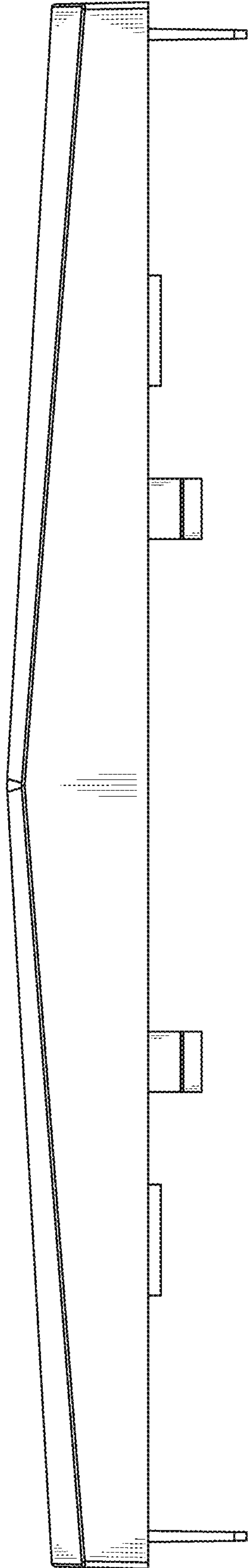


FIG. 6

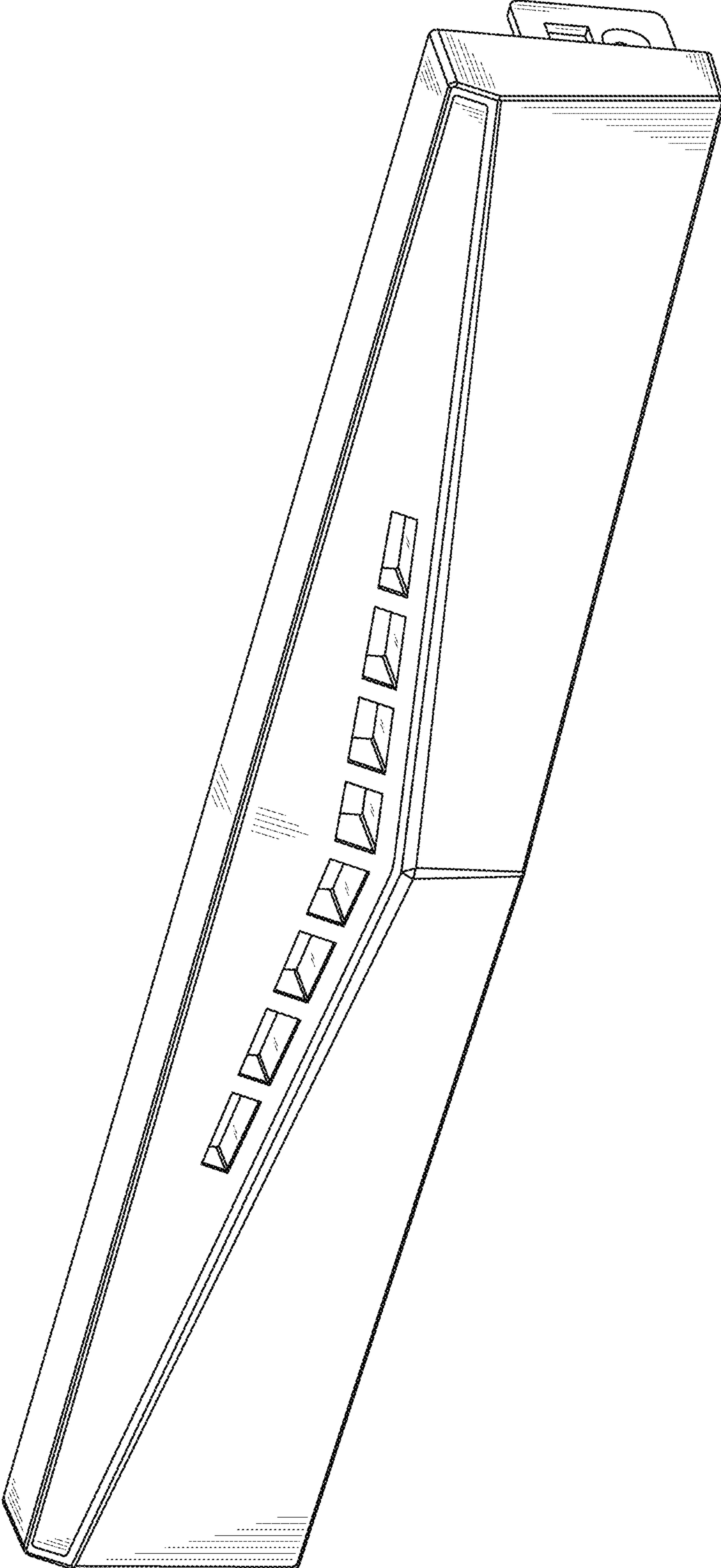


FIG. 7