



US00D869418S

(12) **United States Design Patent** (10) **Patent No.:** **US D869,418 S**  
**Lim et al.** (45) **Date of Patent:** **\*\* Dec. 10, 2019**

(54) **TELEVISION SCREEN**  
(71) Applicant: **LG ELECTRONICS INC.,** Seoul (KR)  
(72) Inventors: **Jaewon Lim,** Seoul (KR); **Yongho Lee,** Seoul (KR)  
(73) Assignee: **LG Electronics Inc.,** Seoul (KR)  
(\*\*) Term: **15 Years**  
(21) Appl. No.: **35/506,245**  
(22) Filed: **Jun. 19, 2018**  
(80) **Hague Agreement Data**  
Int. Filing Date: **Jun. 19, 2018**  
Int. Reg. No.: **DM/102828**  
Int. Reg. Date: **Jun. 19, 2018**  
Int. Reg. Pub. Date: **Dec. 21, 2018**

(30) **Foreign Application Priority Data**  
Dec. 27, 2017 (KR) ..... 30-2017-0061790  
(51) **LOC (12) Cl.** ..... **14-03**  
(52) **U.S. Cl.**  
USPC ..... **D14/126; D14/341**  
(58) **Field of Classification Search**  
USPC ..... D6/300, 308, 310; D14/125, 126, 127, D14/128, 129, 132, 336, 341, 373, 374, D14/375, 376, 377  
CPC ..... G06F 1/1601; G06F 1/1605; G06F 1/162  
See application file for complete search history.

(56) **References Cited**  
U.S. PATENT DOCUMENTS  
D541,771 S \* 5/2007 Chung ..... D14/126  
D545,777 S \* 7/2007 Kim ..... D14/126  
D571,560 S \* 6/2008 Liu ..... D14/126

D687,825 S \* 8/2013 Lee ..... D14/341  
D687,826 S \* 8/2013 Jeon ..... D14/341  
D692,420 S \* 10/2013 McManigal ..... D14/341  
D700,154 S \* 2/2014 Zimmer ..... D14/126  
D712,855 S \* 9/2014 Thompson ..... D14/126  
D720,746 S \* 1/2015 Chung ..... D14/341  
D722,986 S \* 2/2015 Zwier ..... D14/126  
D726,136 S \* 4/2015 Cho ..... D14/126  
D729,793 S \* 5/2015 Hickok ..... D14/126  
D732,491 S \* 6/2015 Choi ..... D14/126  
D738,876 S \* 9/2015 Hwang ..... D14/341  
D746,810 S \* 1/2016 Fujimoto ..... D14/341  
D748,092 S \* 1/2016 Fujimoto ..... D14/341  
D750,621 S \* 3/2016 Loor ..... D14/203.7  
D755,744 S \* 5/2016 Williams, Jr. .... D14/126  
D757,671 S \* 5/2016 Bouroullec ..... D14/126  
D771,620 S \* 11/2016 Kim ..... D14/341  
D778,279 S \* 2/2017 Pendse ..... D14/341  
D778,857 S \* 2/2017 Liu ..... D14/126  
D795,249 S \* 8/2017 Wall ..... D14/341  
D805,050 S \* 12/2017 Lim ..... D14/126

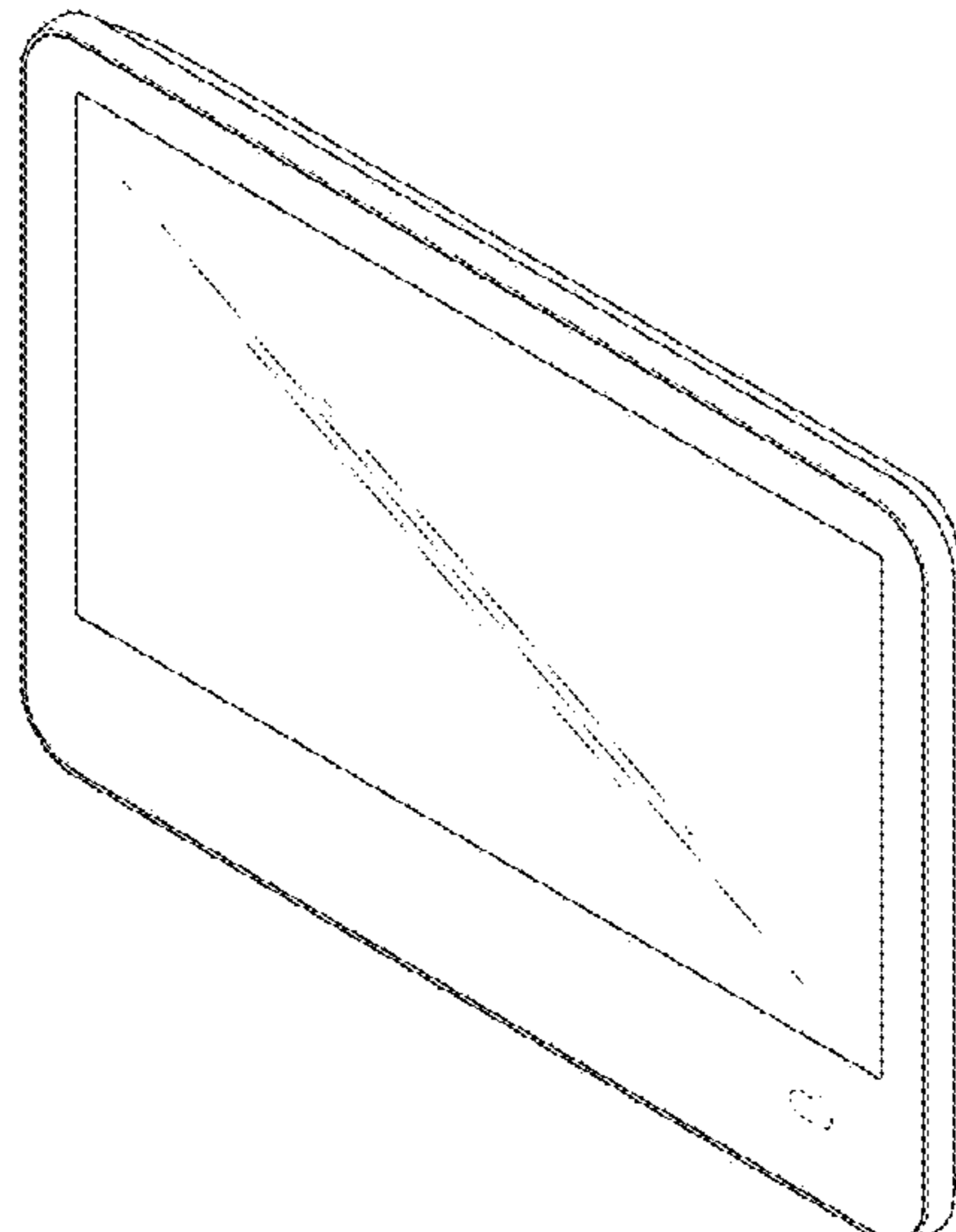
(Continued)

*Primary Examiner* — George D. Kirschbaum  
*Assistant Examiner* — L. A. Grabenstetter  
(74) *Attorney, Agent, or Firm* — Birch, Stewart, Kolasch & Birch, LLP

(57) **CLAIM**  
The ornamental design for a television screen, as shown and described.

**DESCRIPTION**  
1. Television screen  
1.1 : Perspective  
1.2 : Front  
1.3 : Back  
1.4 : Left  
1.5 : Right  
1.6 : Top  
1.7 : Bottom  
The broken lines depict portions of the television screen that form no part of the claimed design.

**1 Claim, 7 Drawing Sheets**



(56)

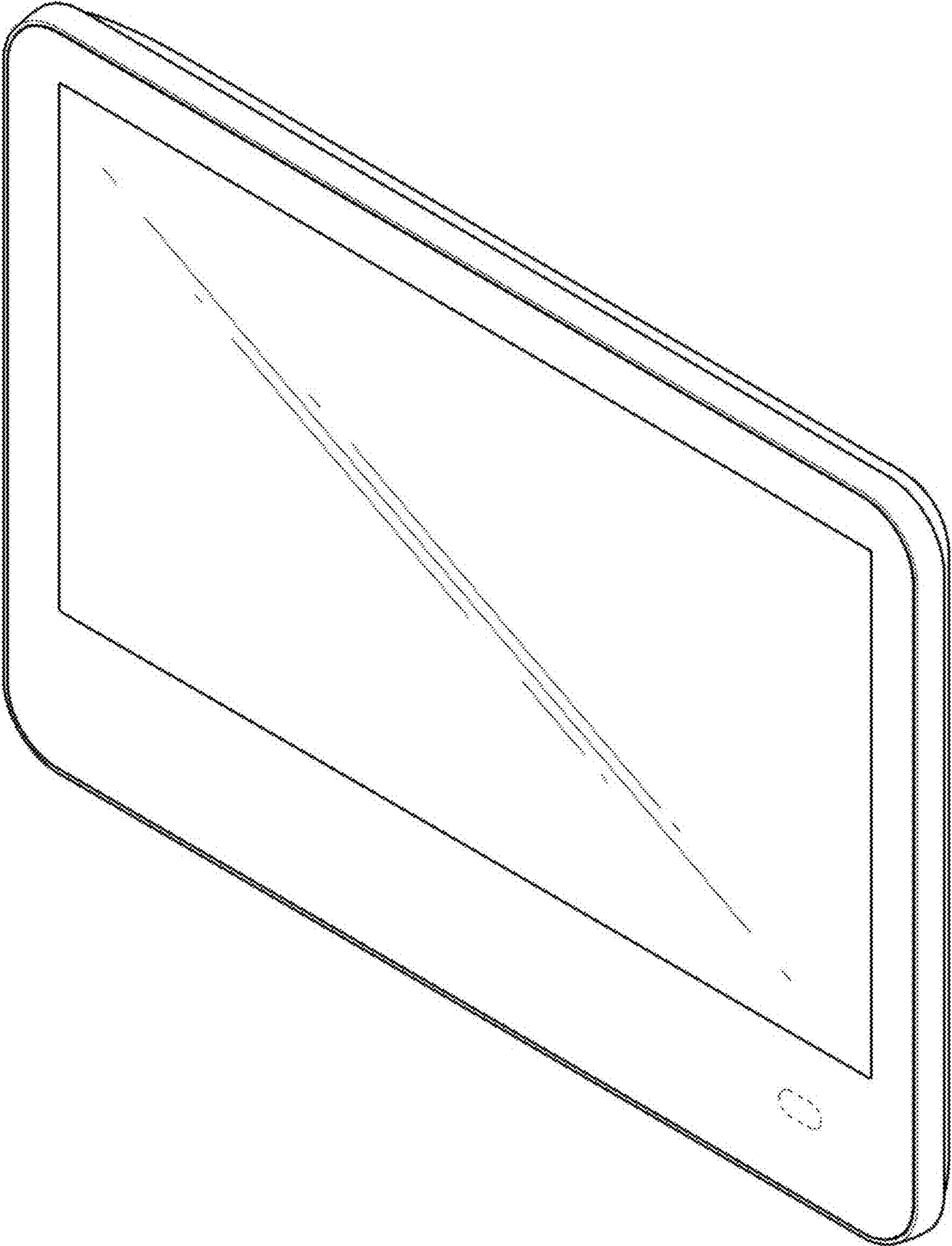
**References Cited**

U.S. PATENT DOCUMENTS

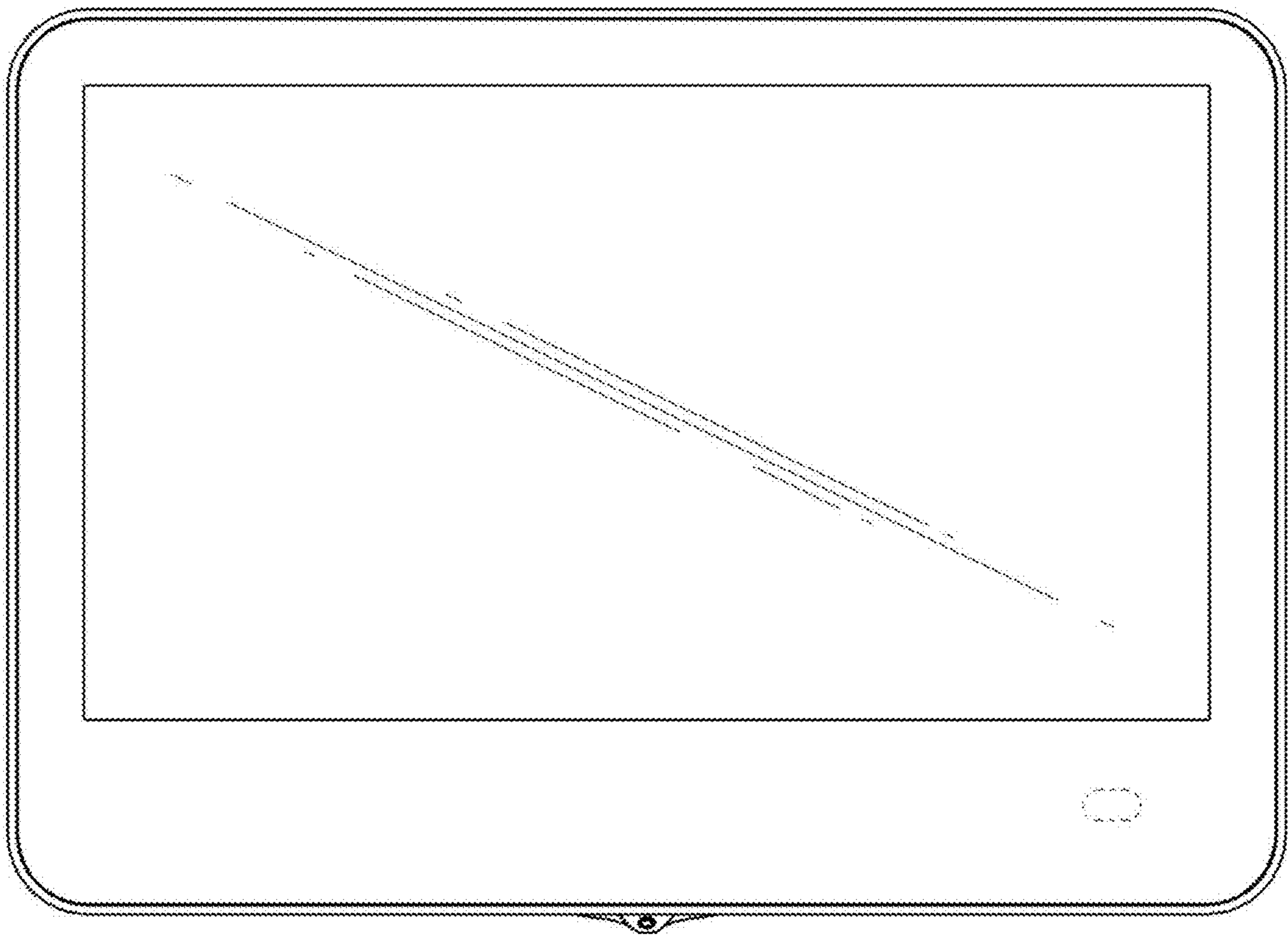
D812,026 S \* 3/2018 Margis ..... D14/126  
D819,585 S \* 6/2018 Kang ..... D14/126

\* cited by examiner

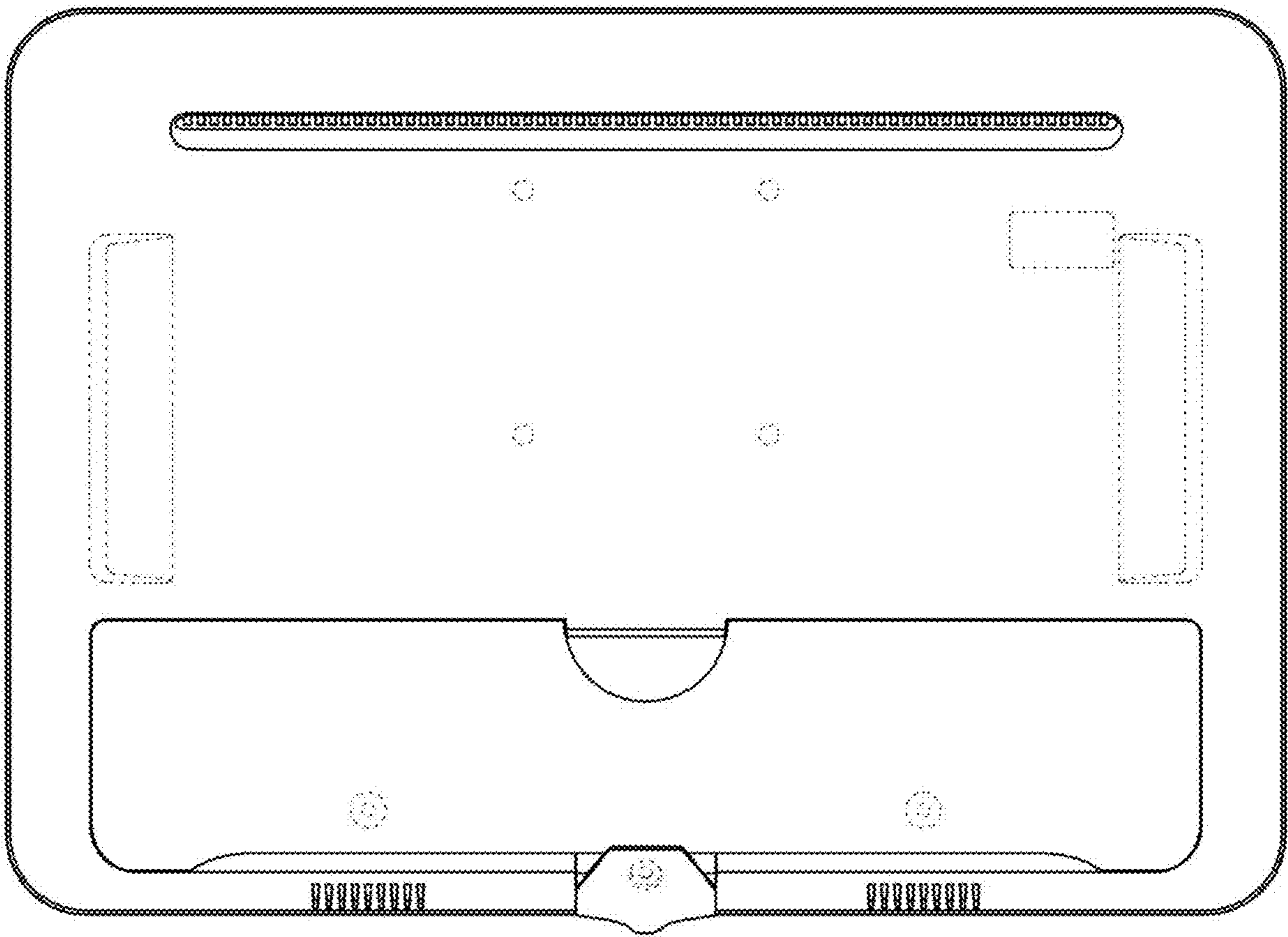
1.1



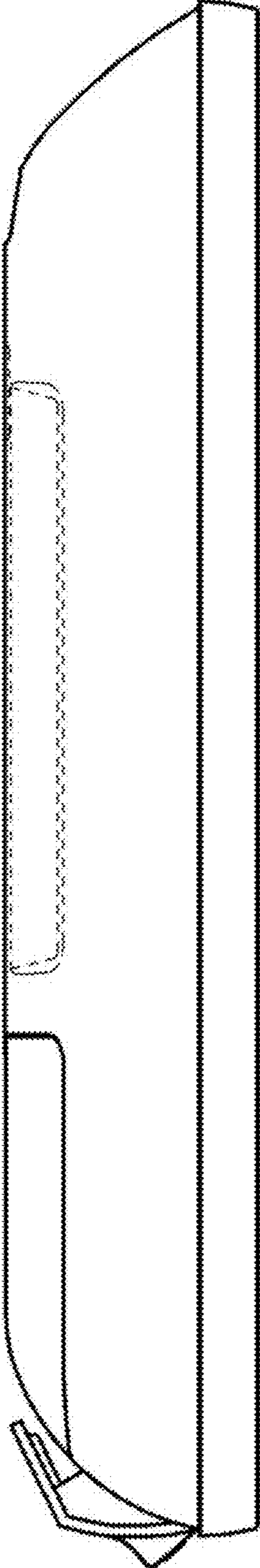
1.2



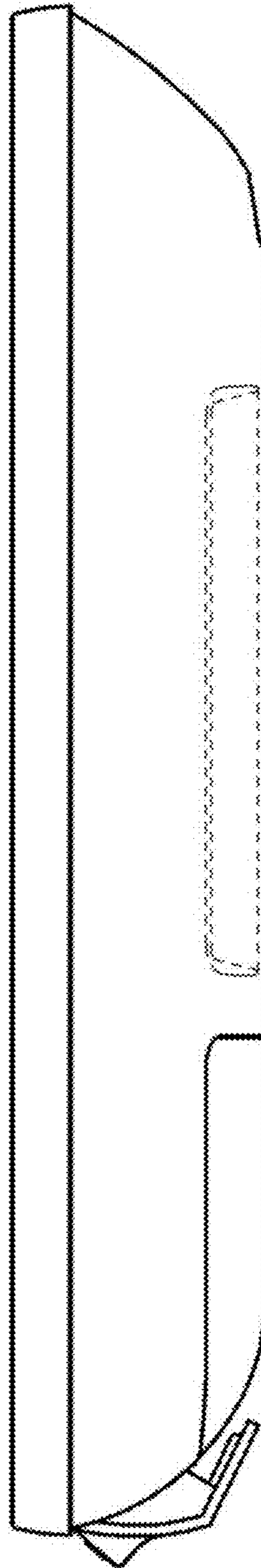
1.3



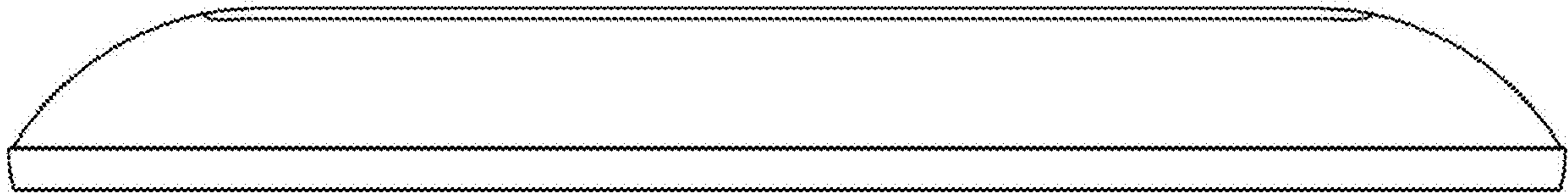
1.4



1.5



1.6





1.7

