



US00D869417S

(12) **United States Design Patent** (10) **Patent No.:** **US D869,417 S**
Kim et al. (45) **Date of Patent:** **** Dec. 10, 2019**

(54) **TELEVISION RECEIVER**
(71) Applicant: **LG ELECTRONICS INC., Seoul (KR)**
(72) Inventors: **Kyoungjoung Kim, Seoul (KR); Hophil Lee, Seoul (KR); Jaewon Jeong, Seoul (KR)**
(73) Assignee: **LG ELECTRONICS INC., Seoul (KR)**

D661,672 S * 6/2012 Kim D14/126
D691,818 S * 10/2013 Shibata D6/308
D712,367 S * 9/2014 Park D14/126
D712,867 S * 9/2014 Vats D14/138 AB
D735,686 S * 8/2015 Shin D14/126
D736,168 S * 8/2015 Kim D14/126
D738,336 S * 9/2015 Hwangbo D14/126
D739,464 S * 9/2015 Liu D14/371
D759,611 S * 6/2016 Kim D14/126
D761,220 S * 7/2016 Kim D14/126
D761,221 S * 7/2016 Kim D14/126
D761,747 S * 7/2016 Kim D14/126
D766,853 S * 9/2016 Seo D14/126
D789,313 S * 6/2017 Jacobi D14/126

(**) Term: **15 Years**

(21) Appl. No.: **35/506,064**

(22) Filed: **May 18, 2018**

(80) **Hague Agreement Data**

Int. Filing Date: **May 18, 2018**
Int. Reg. No.: **DM/101400**
Int. Reg. Date: **May 18, 2018**
Int. Reg. Pub. Date: **Nov. 23, 2018**

(30) **Foreign Application Priority Data**

Nov. 23, 2017 (KR) 30-2017-0055086

(51) **LOC (12) Cl.** **14-03**

(52) **U.S. Cl.**
USPC **D14/126**

(58) **Field of Classification Search**
USPC D6/300, 308, 310; D14/125, 126, 127, D14/128, 129, 132, 336, 341, 373, 374, D14/375, 376, 377

CPC G06F 1/1601; G06F 1/1605; G06F 1/162
See application file for complete search history.

(56) **References Cited**

U.S. PATENT DOCUMENTS

D551,184 S * 9/2007 Kanou D14/126
D587,663 S * 3/2009 Cometti D14/126

(Continued)

Primary Examiner — George D. Kirschbaum

Assistant Examiner — L. A. Grabenstetter

(74) *Attorney, Agent, or Firm* — Birch, Stewart, Kolasch & Birch, LLP

(57) **CLAIM**

The ornamental design for a television receiver, as shown and described.

DESCRIPTION

1. Television receiver

1.1 : Perspective

1.2 : Front

1.3 : Back

1.4 : Left

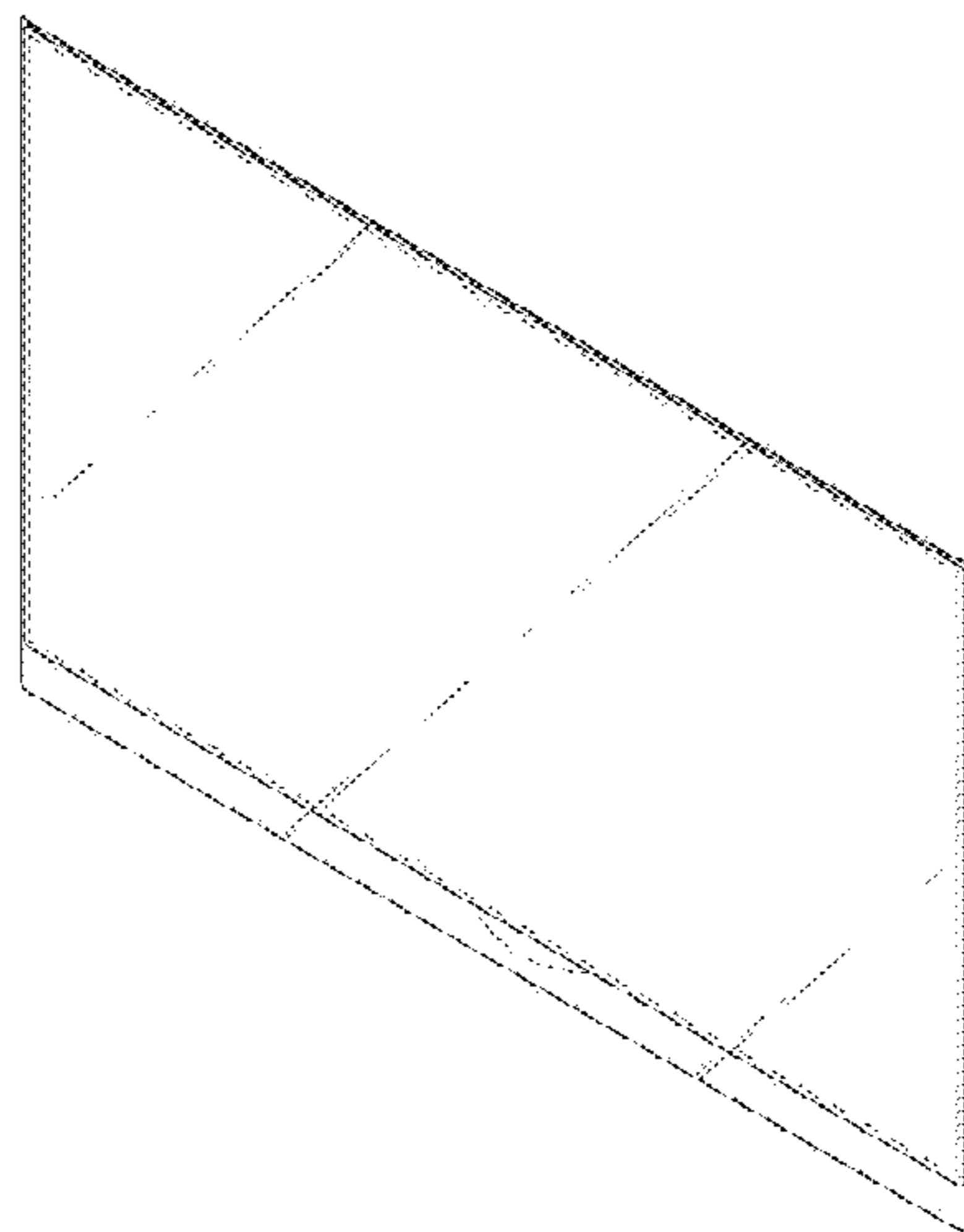
1.5 : Top

1.6 : Bottom

1.7 : Perspective view 2

The broken lines depict portions of the television receiver that form no part of the claimed design; reproduction 1.1 is a front perspective view of the television receiver; reproduction 1.2 is a front view thereof; reproduction 1.3 is a back view thereof; reproduction 1.4 is a left view thereof where the right view is a mirror image; reproduction 1.5 is a top view thereof; reproduction 1.6 is a bottom view thereof; reproduction 1.7 is a back perspective view thereof.

1 Claim, 7 Drawing Sheets



(56)

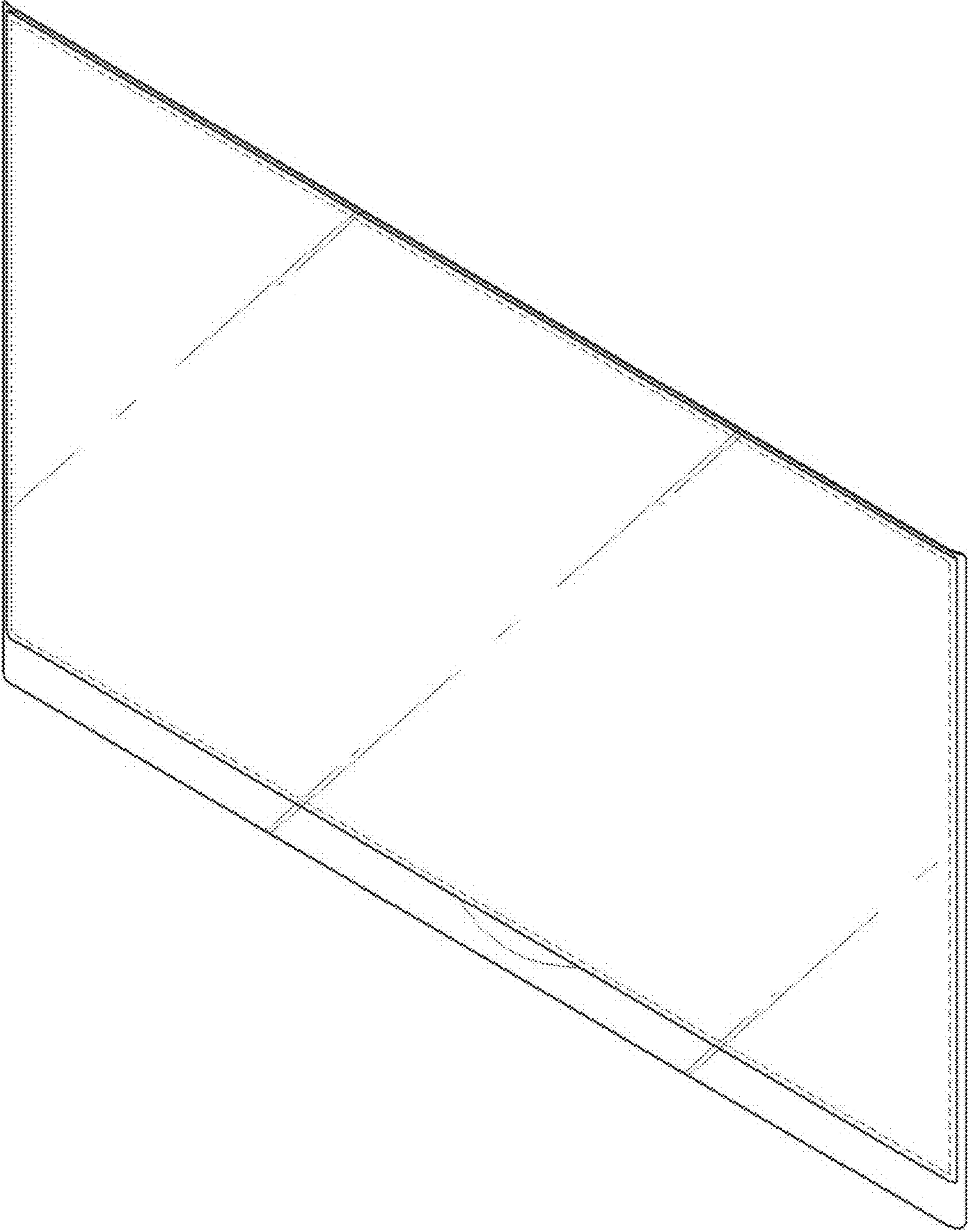
References Cited

U.S. PATENT DOCUMENTS

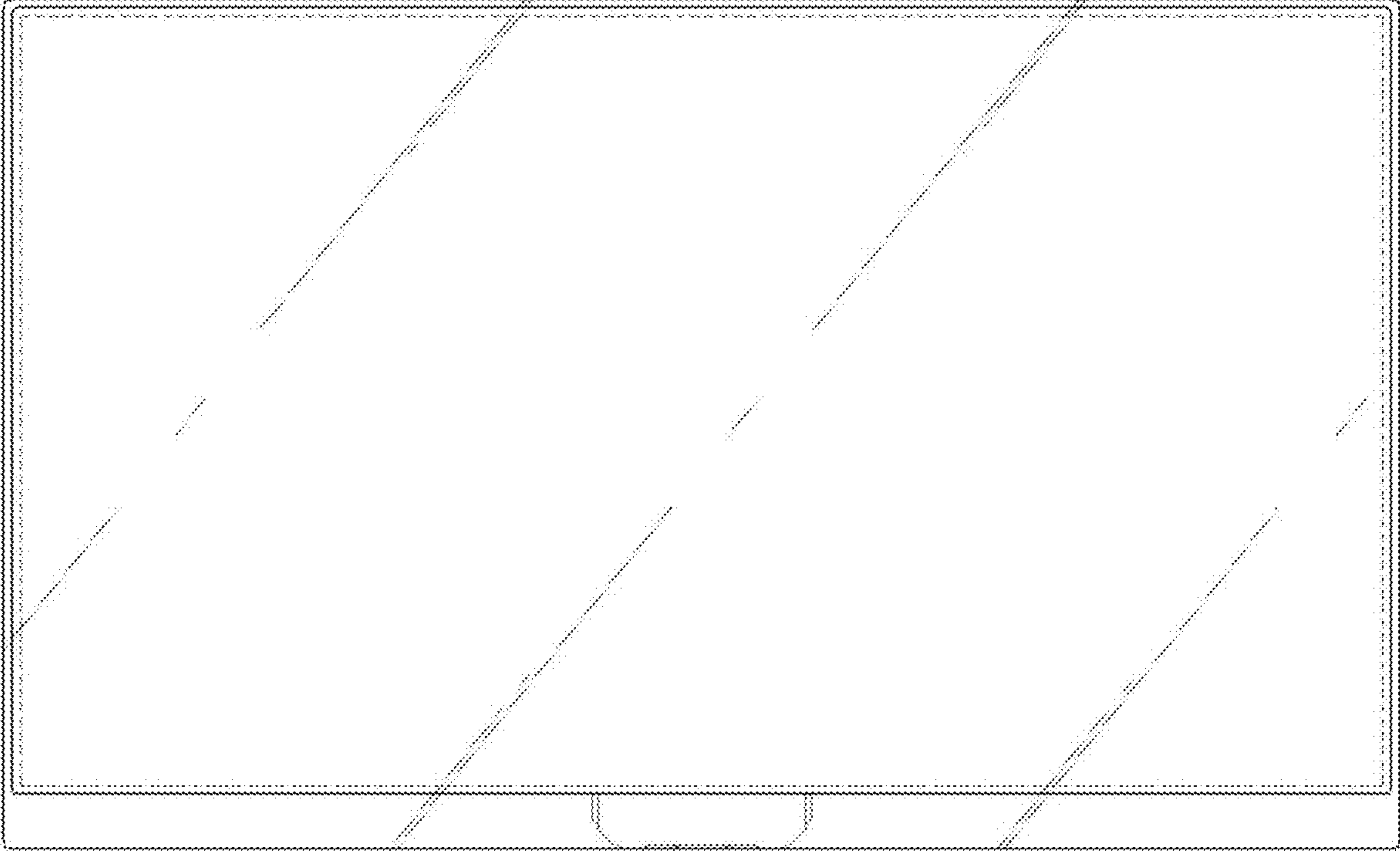
D824,354 S * 7/2018 Kymm D14/126
D827,600 S * 9/2018 Lammens D14/126
D835,056 S * 12/2018 Won D14/126

* cited by examiner

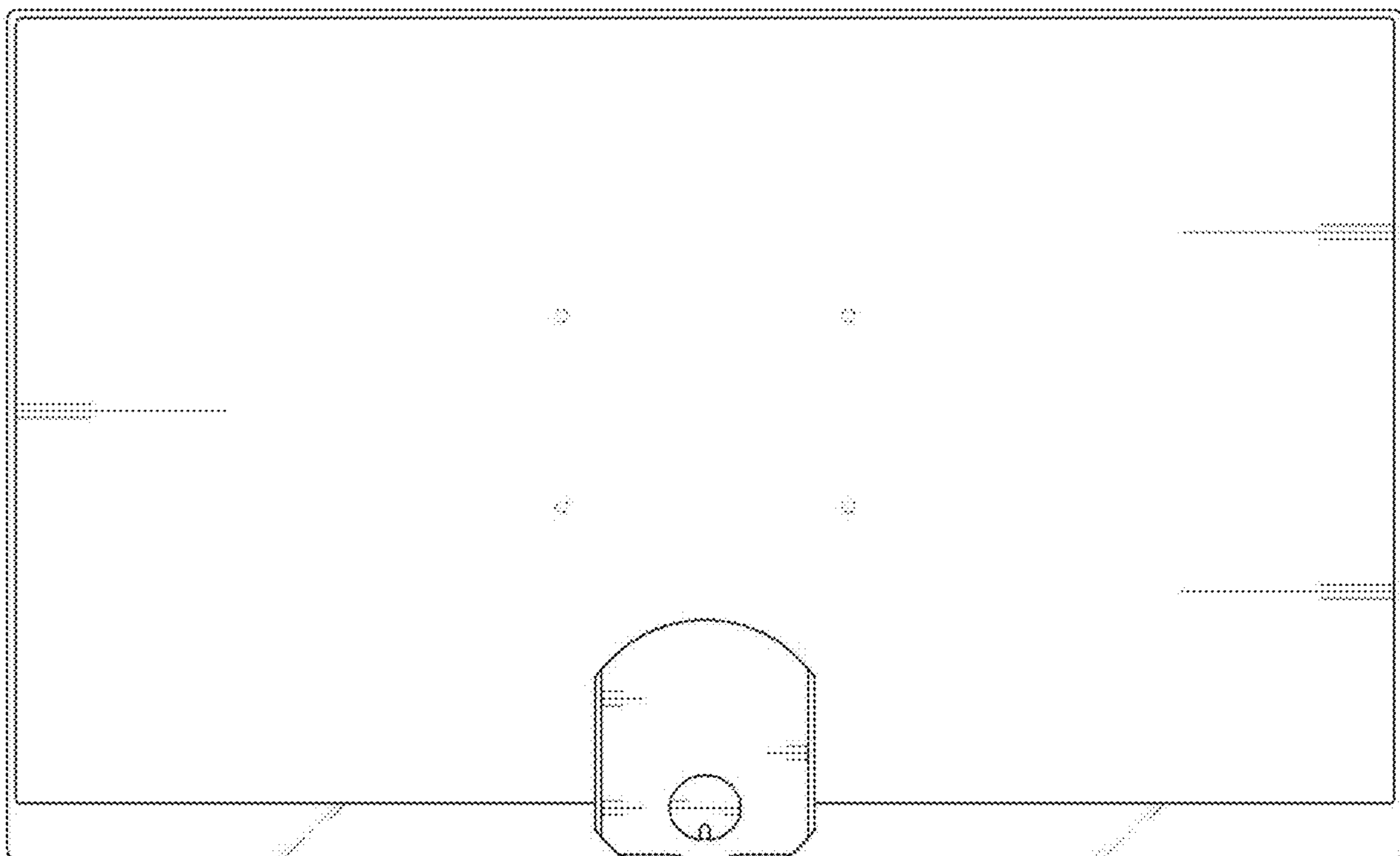
1.1



1.2



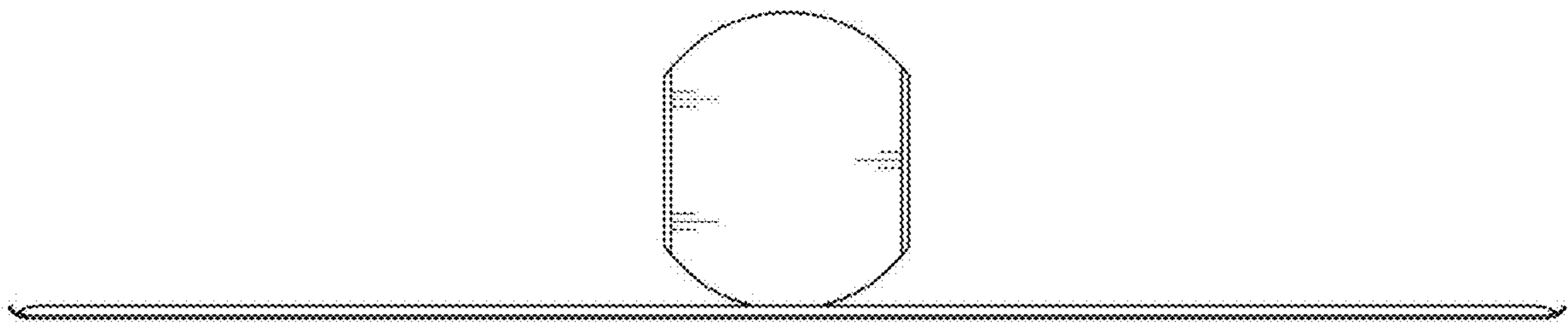
1.3



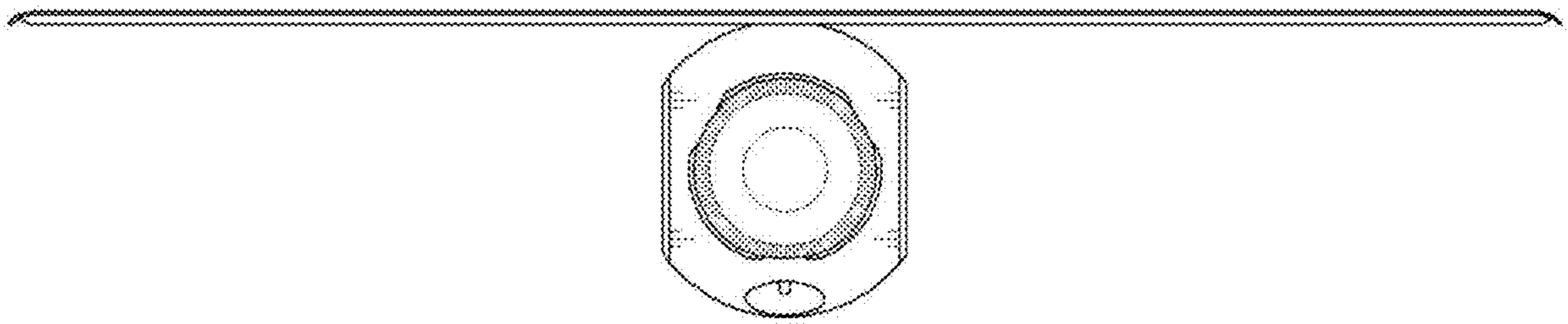
1.4



1.5



1.6



1.7

