



US00D869416S

(12) **United States Design Patent** (10) **Patent No.:** **US D869,416 S**
Choi et al. (45) **Date of Patent:** **** Dec. 10, 2019**

(54) **TELEVISION RECEIVER**
(71) Applicant: **LG ELECTRONICS INC.**, Seoul (KR)
(72) Inventors: **Hwayun Choi**, Seoul (KR); **Yooseok Kim**, Seoul (KR); **Jongchul Kim**, Seoul (KR); **Hyojin Won**, Seoul (KR)
(73) Assignee: **LG ELECTRONICS INC.**, Seoul (KR)

D775,094 S * 12/2016 Kim D14/126
D807,313 S * 1/2018 Kim D14/126
D807,846 S * 1/2018 Kim D14/126
D824,352 S * 7/2018 Kim D14/126
D835,594 S * 12/2018 Won D14/126
D836,582 S * 12/2018 Cha D14/126
D836,585 S * 12/2018 Seo D14/126
D845,259 S * 4/2019 Won D14/126
D847,111 S * 4/2019 Won D14/126
D852,154 S * 6/2019 Won D14/126
D852,155 S * 6/2019 Won D14/126

* cited by examiner

(**) Term: **15 Years**

Primary Examiner — George D. Kirschbaum

(21) Appl. No.: **35/505,946**

Assistant Examiner — Richard Kearney

(22) Filed: **Apr. 27, 2018**

(74) *Attorney, Agent, or Firm* — Birch, Stewart, Kolasch & Birch, LLP

(80) **Hague Agreement Data**

Int. Filing Date: **Apr. 27, 2018**
Int. Reg. No.: **DM/101082**
Int. Reg. Date: **Apr. 27, 2018**
Int. Reg. Pub. Date: **Nov. 2, 2018**

(57) **CLAIM**

The ornamental design for a television receiver, as shown and described.

(30) **Foreign Application Priority Data**

Oct. 27, 2017 (KR) 30-2017-0050048

(51) **LOC (12) Cl.** **14-03**

(52) **U.S. Cl.** **D14/126**
USPC

(58) **Field of Classification Search**
USPC D14/126, 127, 159, 242, 265, 336, D14/358-363, 371, 374-376; D21/329, D21/515

CPC . G02F 1/133308; G06F 1/1601; G06F 1/1626
See application file for complete search history.

DESCRIPTION

1. Television receiver

1.1 : Perspective

1.2 : Front

1.3 : Back

1.4 : Left

1.5 : Top

1.6 : Bottom

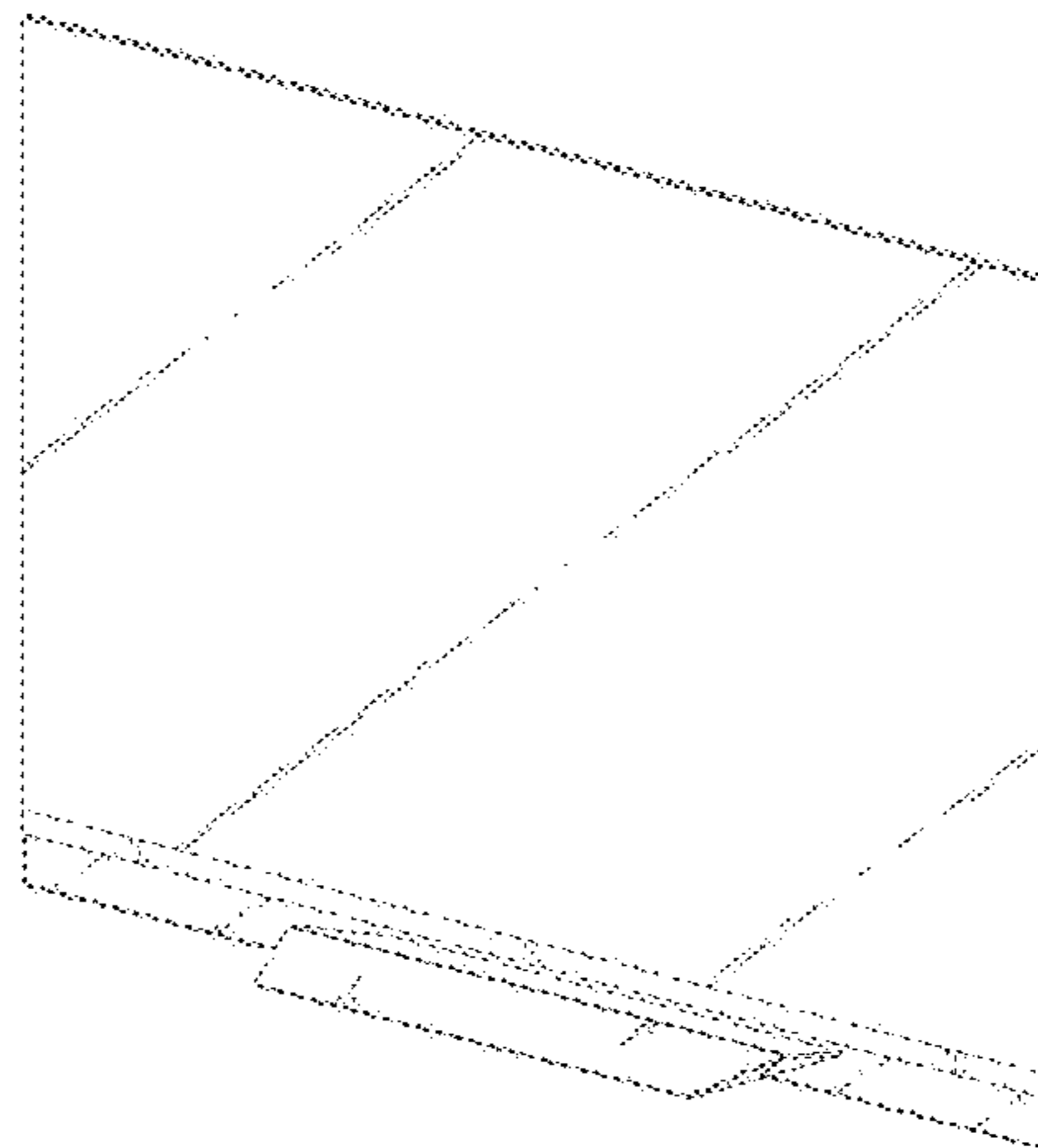
The broken lines depict portions of the television receiver that form no part of the claimed design; reproduction 1.1 is a front perspective view of the television receiver; reproduction 1.2 is a front view thereof; reproduction 1.3 is a back view thereof; reproduction 1.4 is a left view thereof where the right view is a mirror image; reproduction 1.5 is a top view thereof; reproduction 1.6 is a bottom view thereof. This design is for a television receiver having a structure in which the pressure-attached glass with the display is fixed on the lower stand part.

(56) **References Cited**

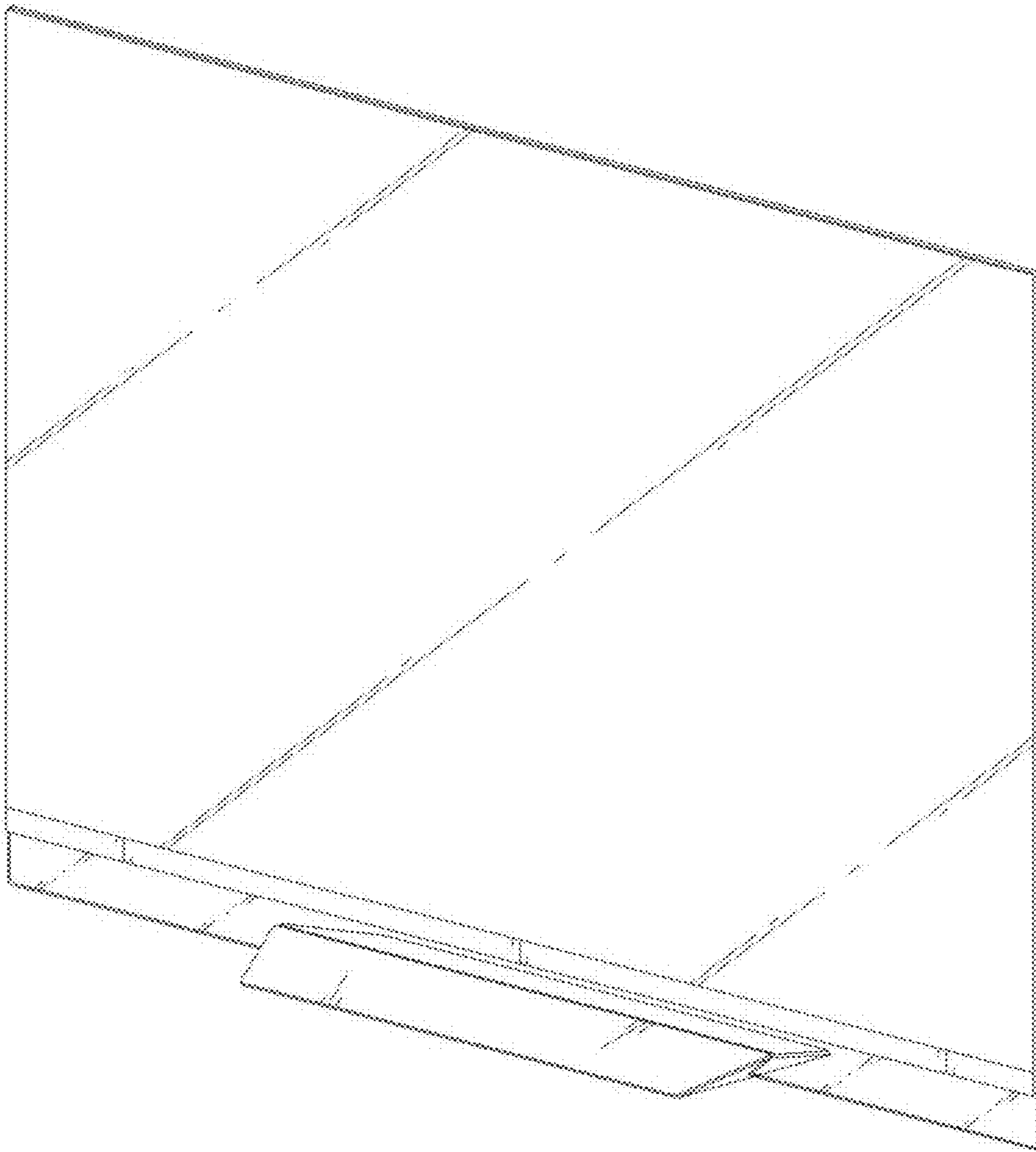
U.S. PATENT DOCUMENTS

D648,296 S * 11/2011 Lee D14/126
D774,481 S * 12/2016 Shin D14/126

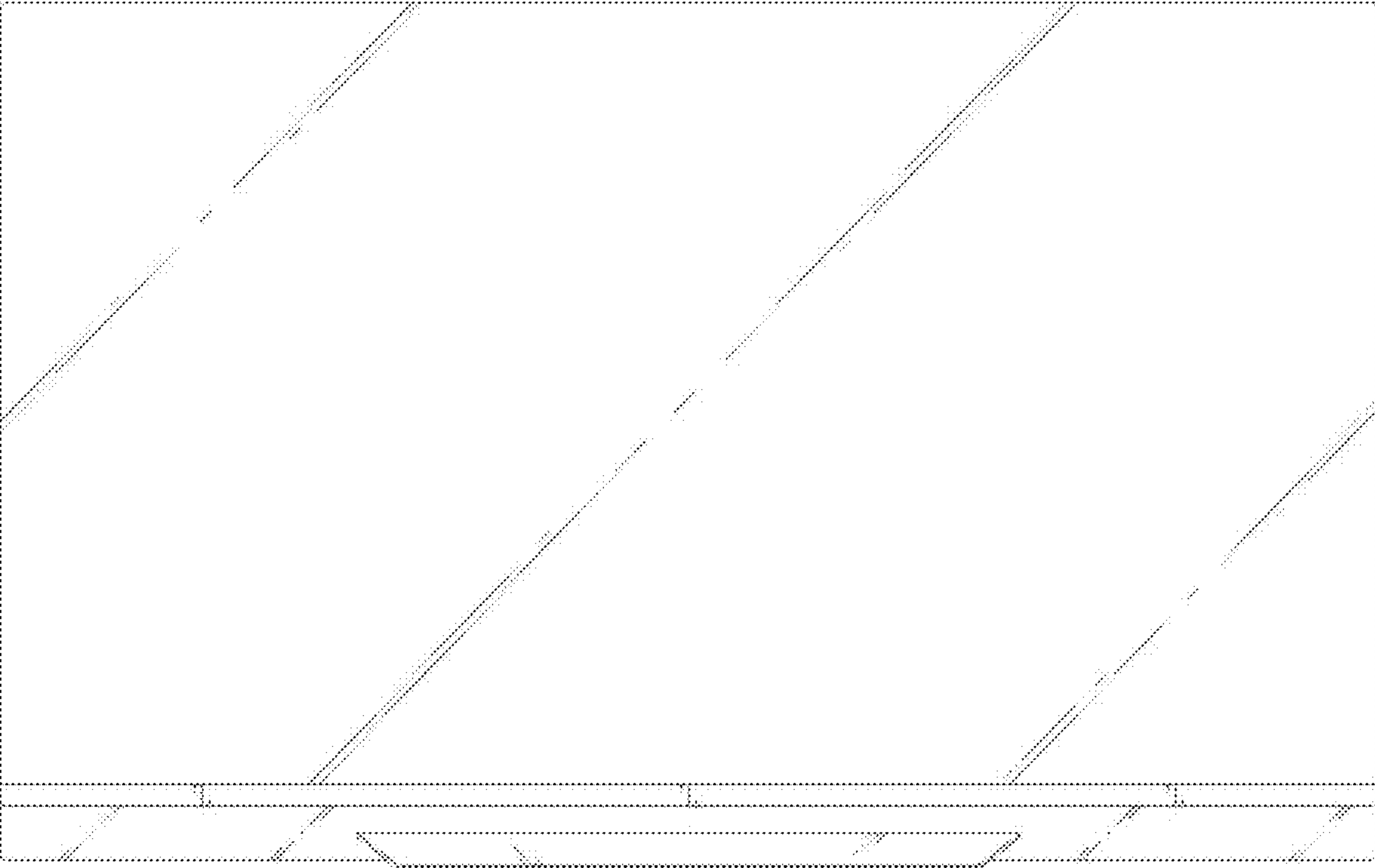
1 Claim, 6 Drawing Sheets



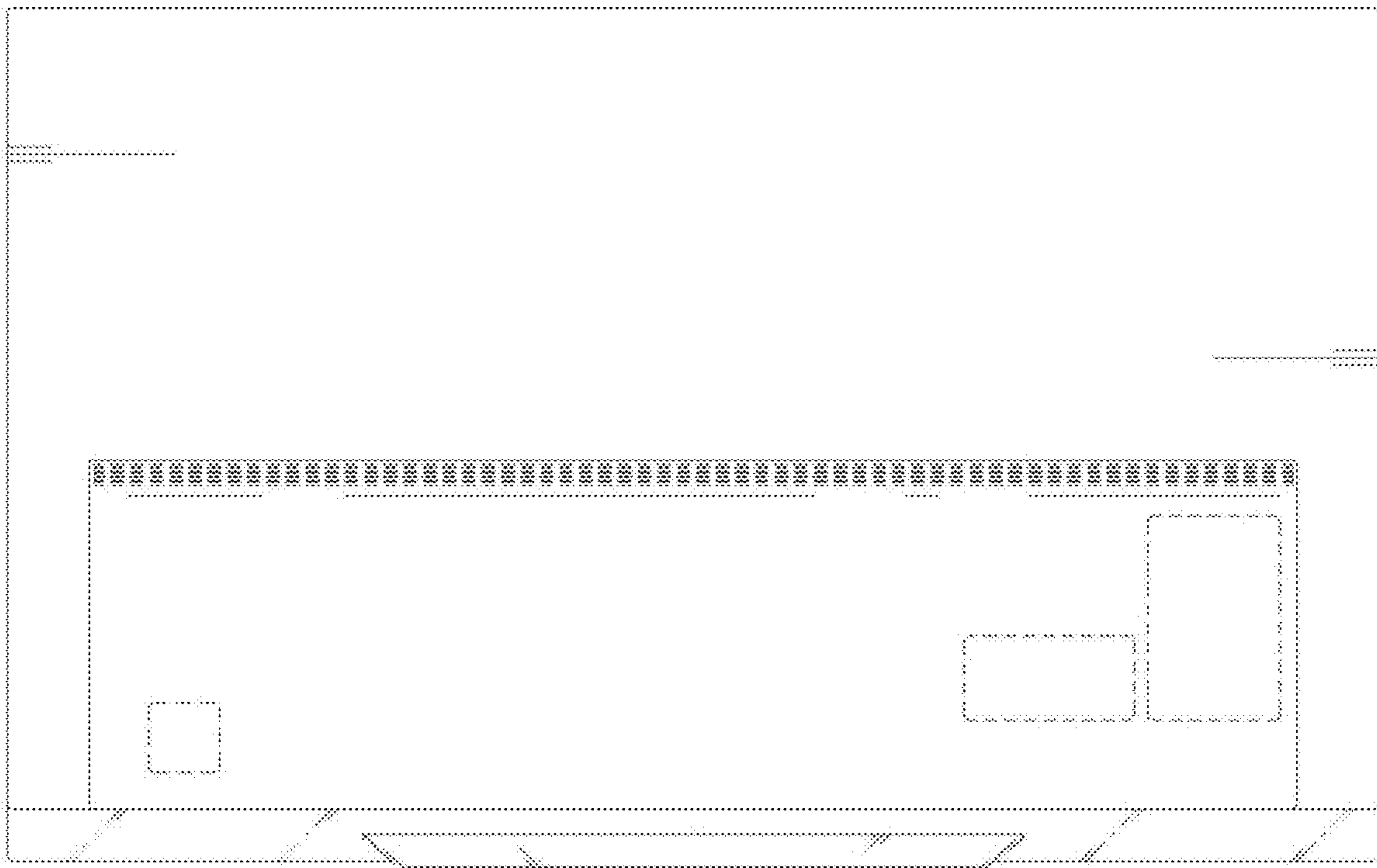
1.1



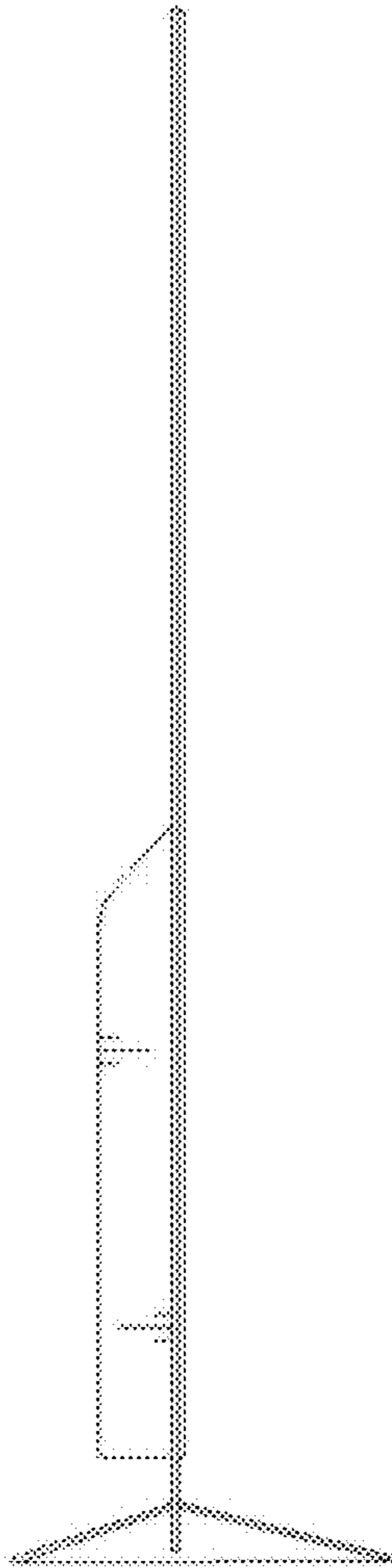
1.2



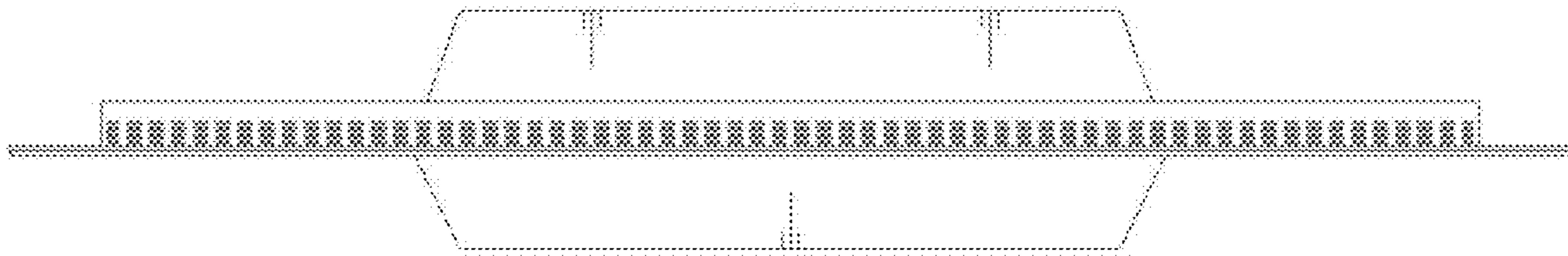
1.3



1.4



1.5



1.6

