

US00D869415S

(12) **United States Design Patent** (10) **Patent No.:** **US D869,415 S**  
**Jang et al.** (45) **Date of Patent:** **\*\* \*Dec. 10, 2019**

(54) **TELEVISION**

(56) **References Cited**

(71) Applicant: **LG ELECTRONICS INC.**, Seoul (KR)

U.S. PATENT DOCUMENTS

(72) Inventors: **Younghun Jang**, Seoul (KR); **Yooseok Kim**, Seoul (KR); **Minji Seo**, Seoul (KR)

D675,175 S *	1/2013	Kim	.....	D14/126
D689,454 S *	9/2013	Shih	.....	D14/126
D715,243 S *	10/2014	Jang	.....	D14/126
D732,855 S *	6/2015	Helser	.....	D6/660
D746,799 S *	1/2016	Kim	.....	D14/239
D748,080 S *	1/2016	Jung	.....	D14/239
D773,418 S *	12/2016	Won	.....	D14/126
D774,482 S *	12/2016	Hong	.....	D14/126
D796,465 S *	9/2017	Kim	.....	D14/126
D798,254 S *	9/2017	Kim	.....	D14/126
D808,353 S *	1/2018	Lee	.....	D14/126
D808,941 S *	1/2018	Lee	.....	D14/239

(73) Assignee: **LG Electronics Inc.**, Seoul (KR)

(\*) Notice: This patent is subject to a terminal disclaimer.

(\*\*) Term: **15 Years**

(Continued)

(21) Appl. No.: **35/505,269**

*Primary Examiner* — T Chase Nelson

*Assistant Examiner* — Dana K Weiland

(22) Filed: **Jan. 11, 2018**

(74) *Attorney, Agent, or Firm* — Birch, Stewart, Kolasch & Birch, LLP

(80) **Hague Agreement Data**

Int. Filing Date: **Jan. 11, 2018**

Int. Reg. No.: **DM/100739**

Int. Reg. Date: **Jan. 11, 2018**

Int. Reg. Pub. Date: **Jul. 13, 2018**

(57) **CLAIM**

The ornamental design for a television, as shown and described.

(30) **Foreign Application Priority Data**

Jul. 12, 2017 (KR) ..... 30-2017-0032029

(51) **LOC (12) Cl.** ..... **14-03**

(52) **U.S. Cl.**  
USPC ..... **D14/126**

(58) **Field of Classification Search**

USPC ..... D14/125, 126, 127–137, 239, 314–316,  
D14/322, 326, 334–336, 339, 340, 341,  
D14/371, 373–374, 448, 450, 138 G, 248;  
D6/300, 310, 314, 320, 332, 553;  
D21/329, 332, 515, 324

CPC ..... G06F 1/16; G06F 1/1601; G06F 1/1637;  
H04N 5/64; H05K 5/0204; H05K 5/0017;  
H05K 5/0217

See application file for complete search history.

**DESCRIPTION**

1. Television

**1.1** is a front perspective view of a television showing the new design;

**1.2** is a front view thereof;

**1.3** is a back view thereof;

**1.4** is a left side view thereof;

**1.5** is a right side view thereof;

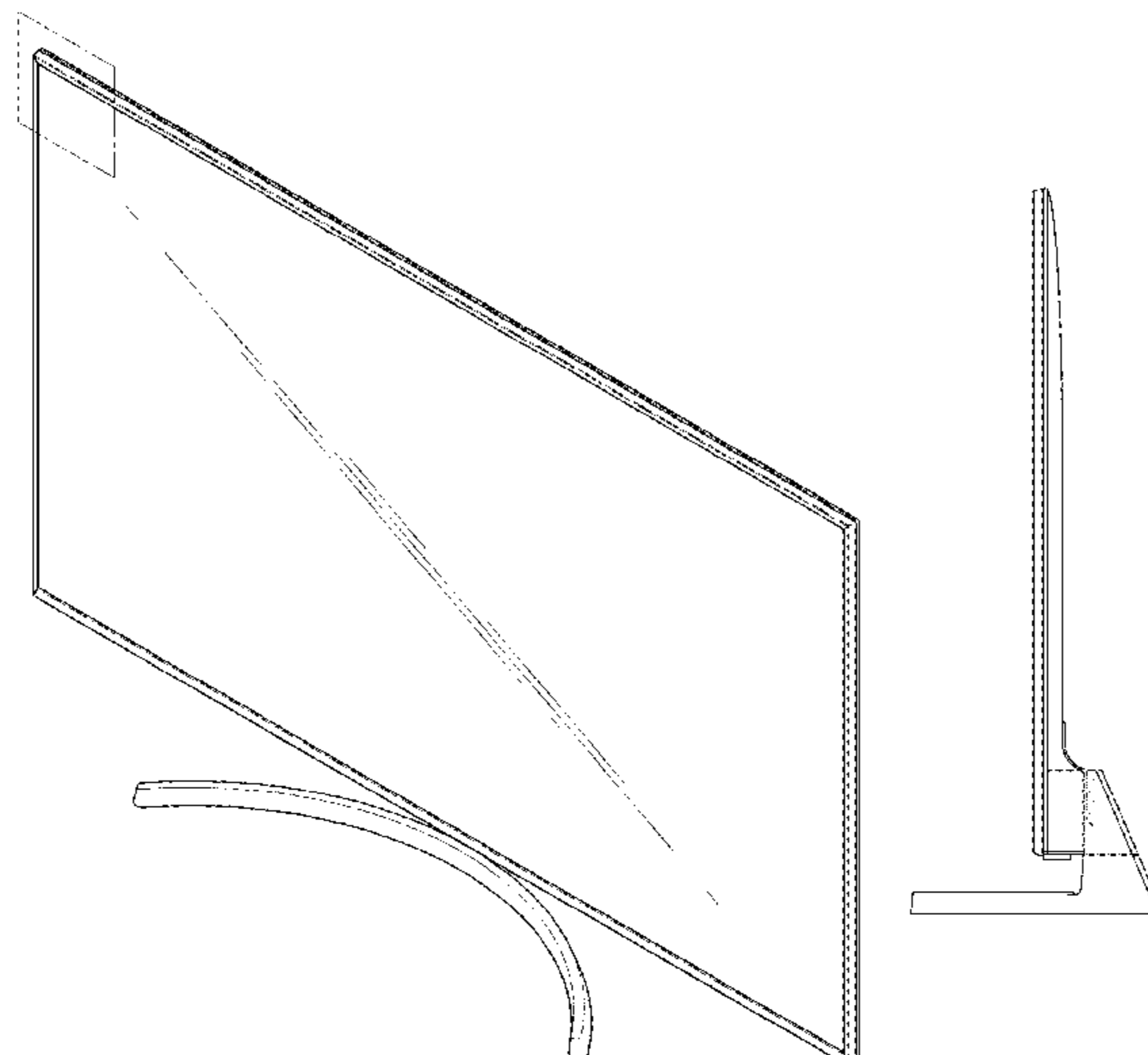
**1.6** is a top view thereof;

**1.7** is a bottom view thereof; and

**1.8** is an enlarged view of a portion of the television shown in **1.1**.

The broken lines shown in the drawings depict portions of the television that form no part of the claimed design; the dot-dashed broken lines indicate from where the enlarged view is taken and form no part of the claimed design.

**1 Claim, 5 Drawing Sheets**



(56)

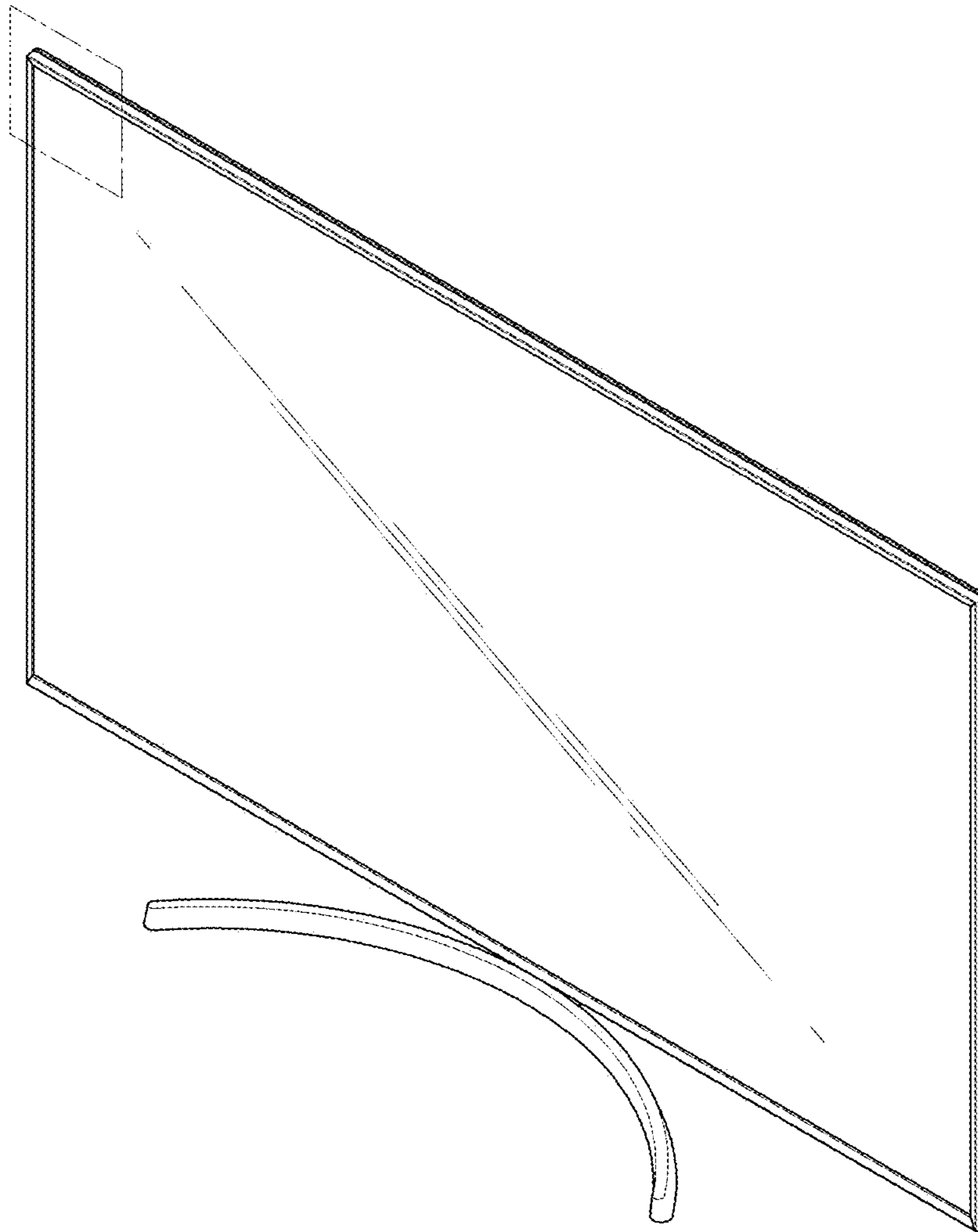
**References Cited**

U.S. PATENT DOCUMENTS

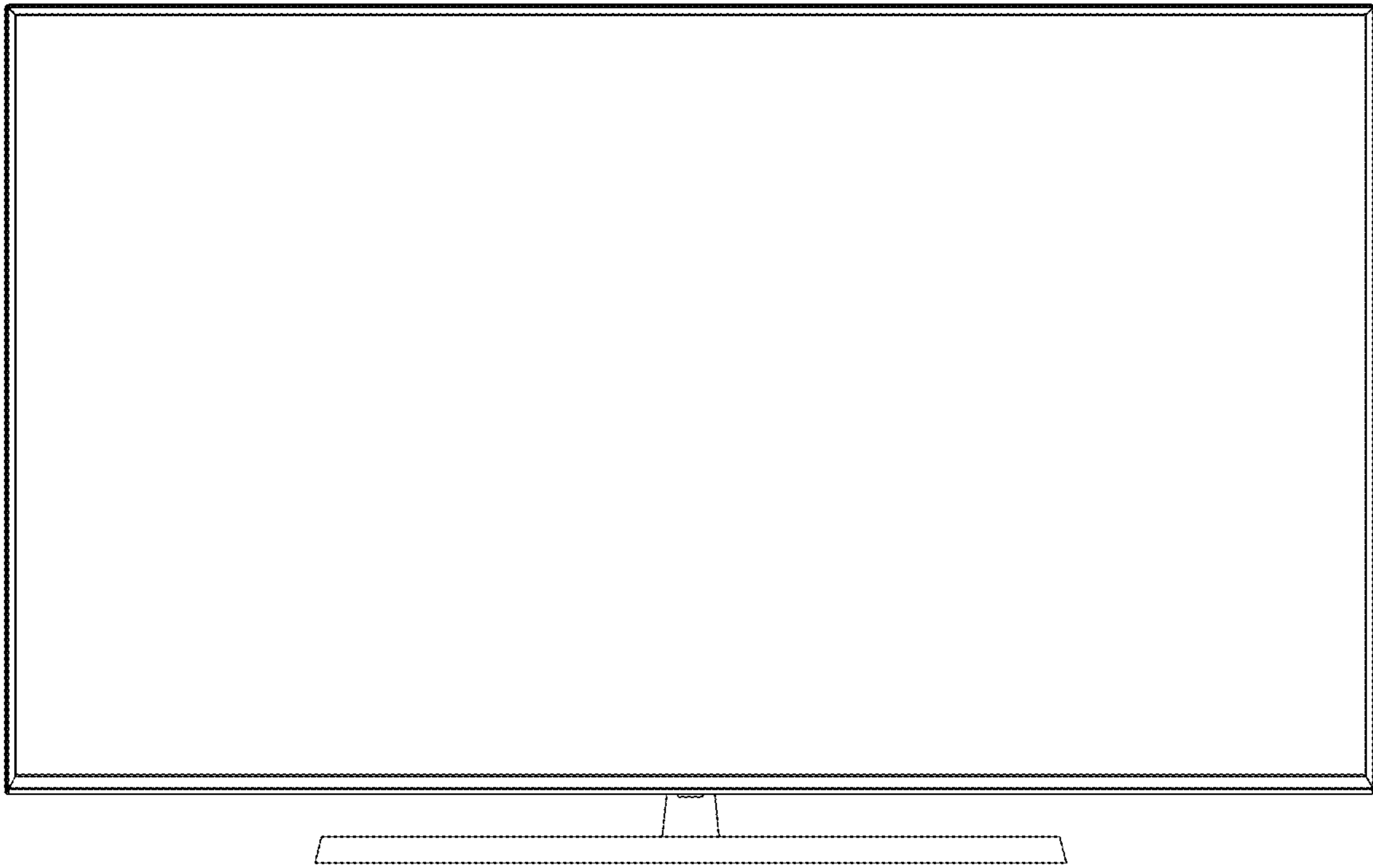
D817,290	S	*	5/2018	Lee	.....	D14/126
D817,939	S	*	5/2018	Cho	.....	D14/239
D818,450	S	*	5/2018	Lee	.....	D14/126
D819,614	S	*	6/2018	Lee	.....	D14/239
D819,616	S	*	6/2018	So	.....	D14/239
D821,372	S	*	6/2018	Lee	.....	D14/239
D822,012	S	*	7/2018	Lee	.....	D14/239
D822,670	S	*	7/2018	Hubert	.....	D14/451
D823,843	S	*	7/2018	Kim	.....	D14/239
D824,890	S	*	8/2018	Kim	.....	D14/239
D824,891	S	*	8/2018	Kim	.....	D14/239
D826,200	S	*	8/2018	Kim	.....	D14/126
D826,884	S	*	8/2018	Kim	.....	D14/126
D830,984	S	*	10/2018	Kim	.....	D14/126
D830,985	S	*	10/2018	Cha	.....	D14/126
D835,593	S	*	12/2018	Shin	.....	D14/126
D836,584	S	*	12/2018	Kim	.....	D14/126
D836,618	S	*	12/2018	Kim	.....	D14/239
2017/0322589	A1	*	11/2017	Lee	.....	F16M 11/08
2017/0329364	A1	*	11/2017	Kim	.....	G06F 1/16

\* cited by examiner

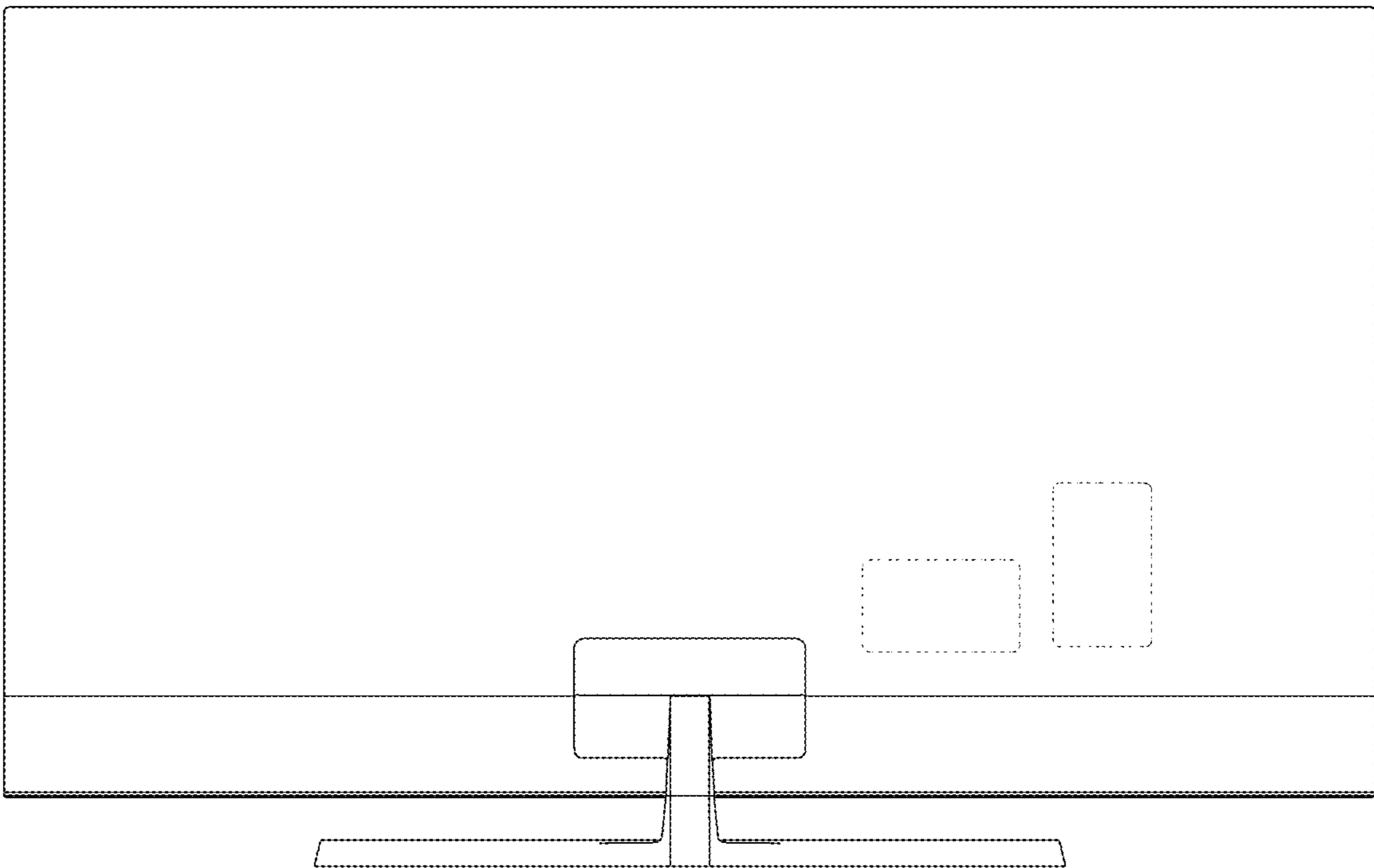
1.1



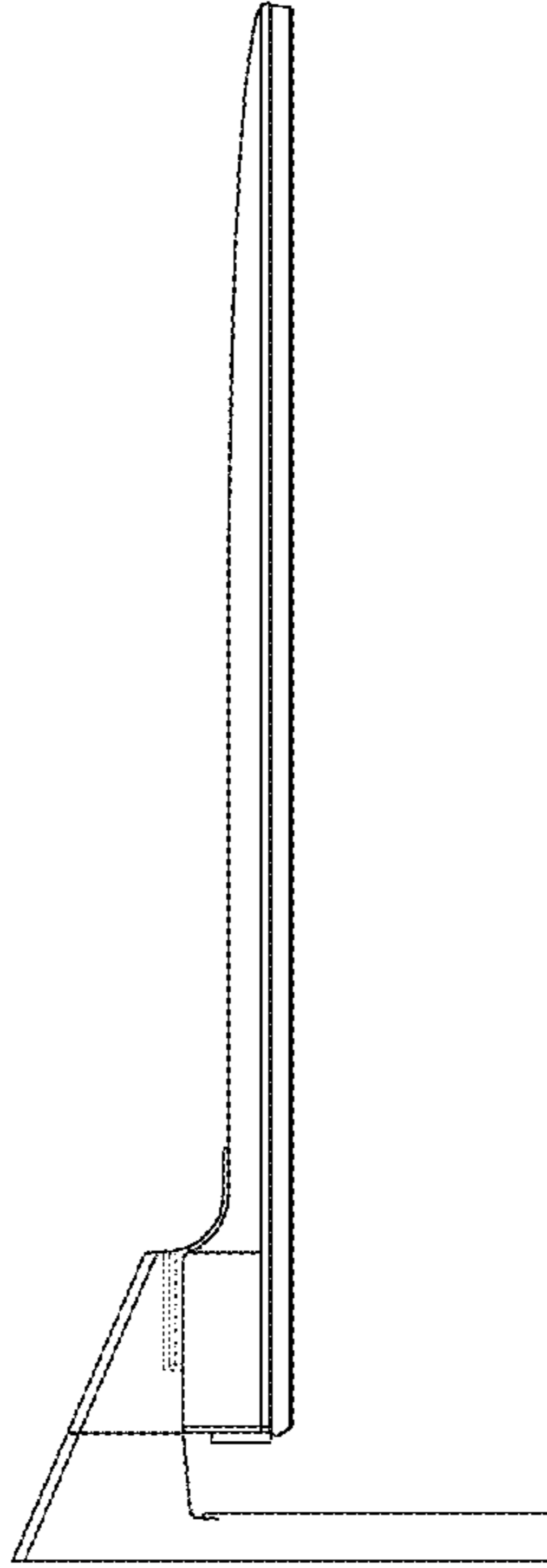
1.2



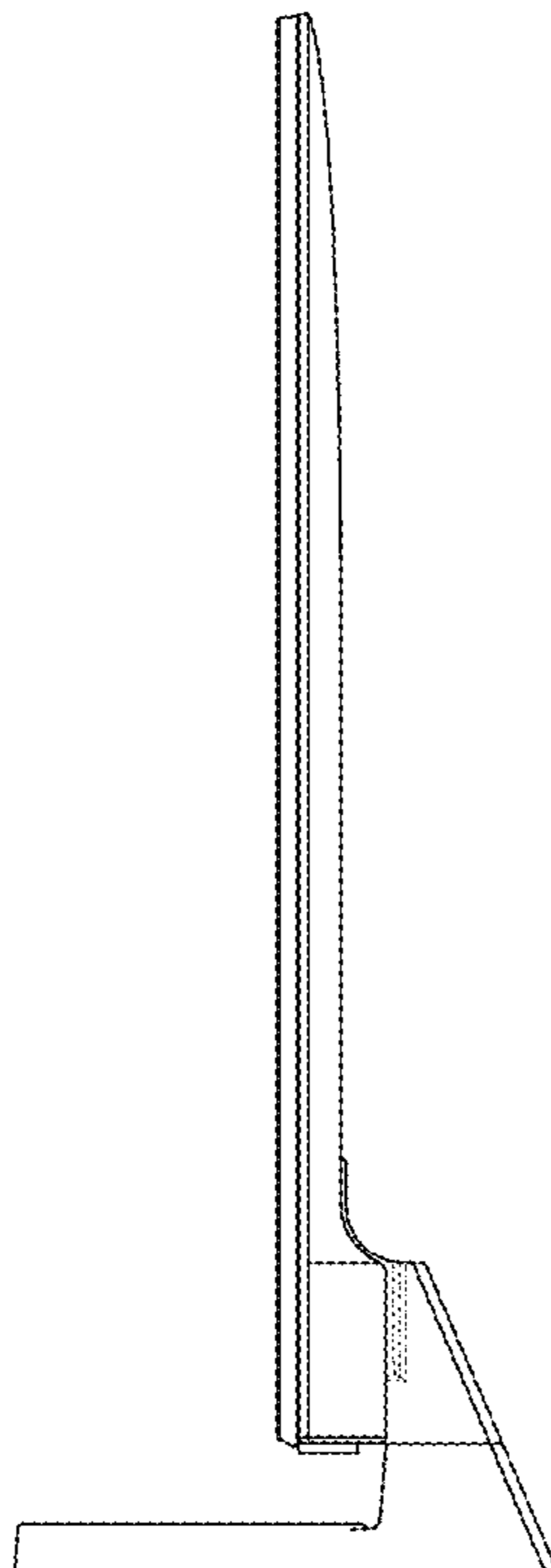
1.3



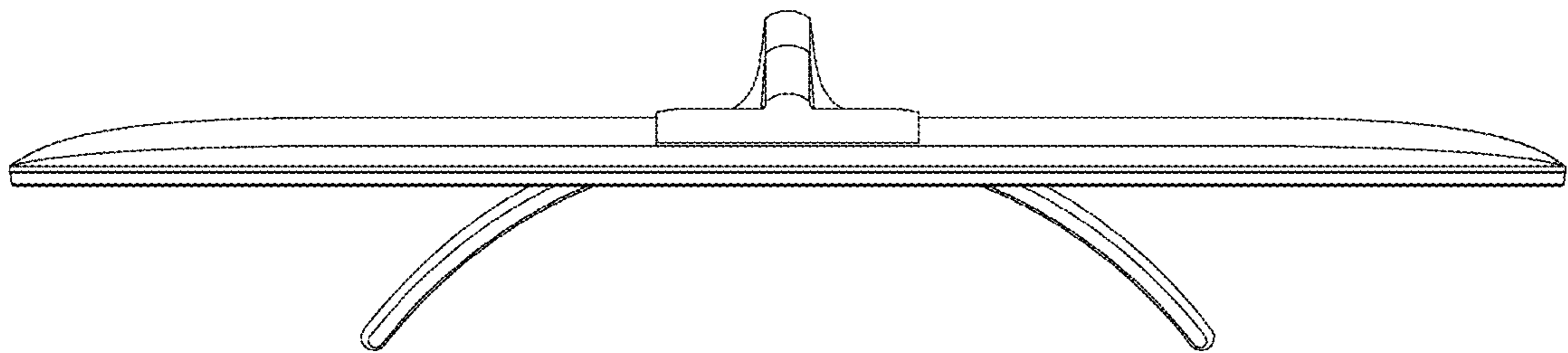
1.4



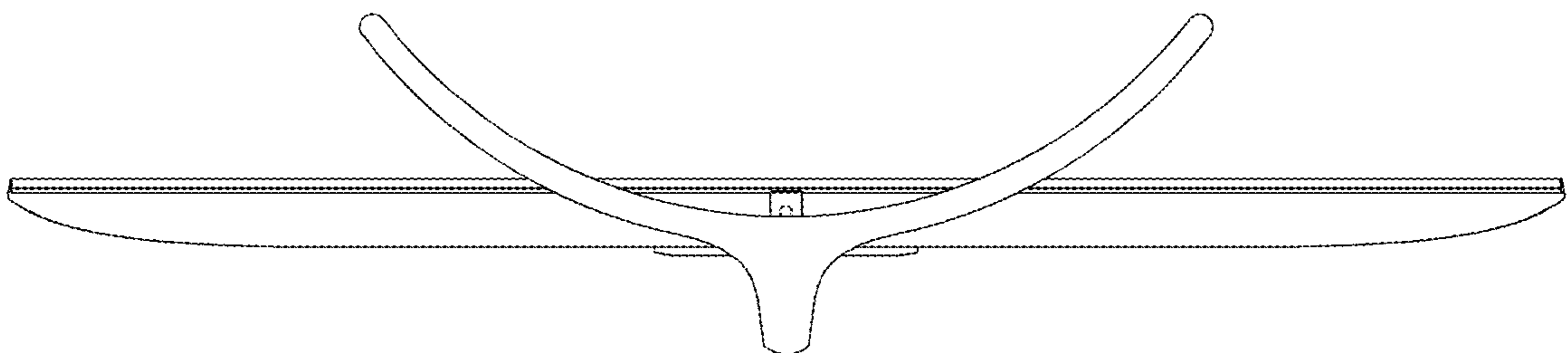
1.5



1.6



1.7



1.8

