

US00D869414S

(12) **United States Design Patent**  
**Kim et al.**

(10) **Patent No.:** **US D869,414 S**

(45) **Date of Patent:** **\*\* Dec. 10, 2019**

(54) **MONITOR FOR COMPUTER**

(71) Applicant: **LG ELECTRONICS INC.**, Seoul (KR)

(72) Inventors: **Yongsoo Kim**, Seoul (KR); **Gangho Woo**, Seoul (KR)

(73) Assignee: **LG Electronics Inc.**, Seoul (KR)

(\*\*) Term: **15 Years**

(21) Appl. No.: **35/505,059**

(22) Filed: **Dec. 6, 2017**

(80) **Hague Agreement Data**

Int. Filing Date: **Dec. 6, 2017**

Int. Reg. No.: **DM/098813**

Int. Reg. Date: **Dec. 6, 2017**

Int. Reg. Pub. Date: **Jun. 8, 2018**

(30) **Foreign Application Priority Data**

Dec. 1, 2017 (KR) ..... 30-2017-0056753

(51) **LOC (12) Cl.** ..... **14-03**

(52) **U.S. Cl.**  
USPC ..... **D14/126**

(58) **Field of Classification Search**  
USPC ..... D14/126, 239, 335, 336, 340, 371, 374,  
D14/375; D21/515

CPC ..... G06F 1/1626; H04N 5/64; H04N 5/645;  
H05K 5/00; H05K 5/0204

See application file for complete search history.

(56) **References Cited**

**U.S. PATENT DOCUMENTS**

D608,314 S \* 1/2010 Boo ..... D14/126

D616,841 S \* 6/2010 Kim ..... D14/126

D675,174 S \* 1/2013 Lee ..... D14/126  
D689,454 S \* 9/2013 Shih ..... D14/126  
D694,206 S \* 11/2013 Seo ..... D14/126  
D694,207 S \* 11/2013 Chang ..... D14/126

**OTHER PUBLICATIONS**

Walmart.com: Acer V246HQL LED monitor. Earliest date Dec. 2, 2016; 19 pages. Found online Apr. 18, 2019 at <https://www.theverge.com/circuitbreaker/2018/8/29/17797568/lg-curved-gaming-monitor-new-specs-ifa-2018> (Year: 2016).\*

Amazon.com: Screenshot taken Apr. 18, 2019 (oldest date Aug. 15, 2015) from [https://www.amazon.com/ASUS-MG28UQ-28-Inch-FreeSync-Monitor/product-reviews/B01BYU0GVC/ref=cm\\_cr\\_dp\\_d\\_hist\\_1?ie=UTF8&filterByStar=one\\_star&reviewerType=all\\_reviews#reviews-filter-bar](https://www.amazon.com/ASUS-MG28UQ-28-Inch-FreeSync-Monitor/product-reviews/B01BYU0GVC/ref=cm_cr_dp_d_hist_1?ie=UTF8&filterByStar=one_star&reviewerType=all_reviews#reviews-filter-bar) (Year: 2015).\*

\* cited by examiner

*Primary Examiner* — Robert M. Spear

(74) *Attorney, Agent, or Firm* — Birch, Stewart, Kolasch & Birch, LLP

(57) **CLAIM**

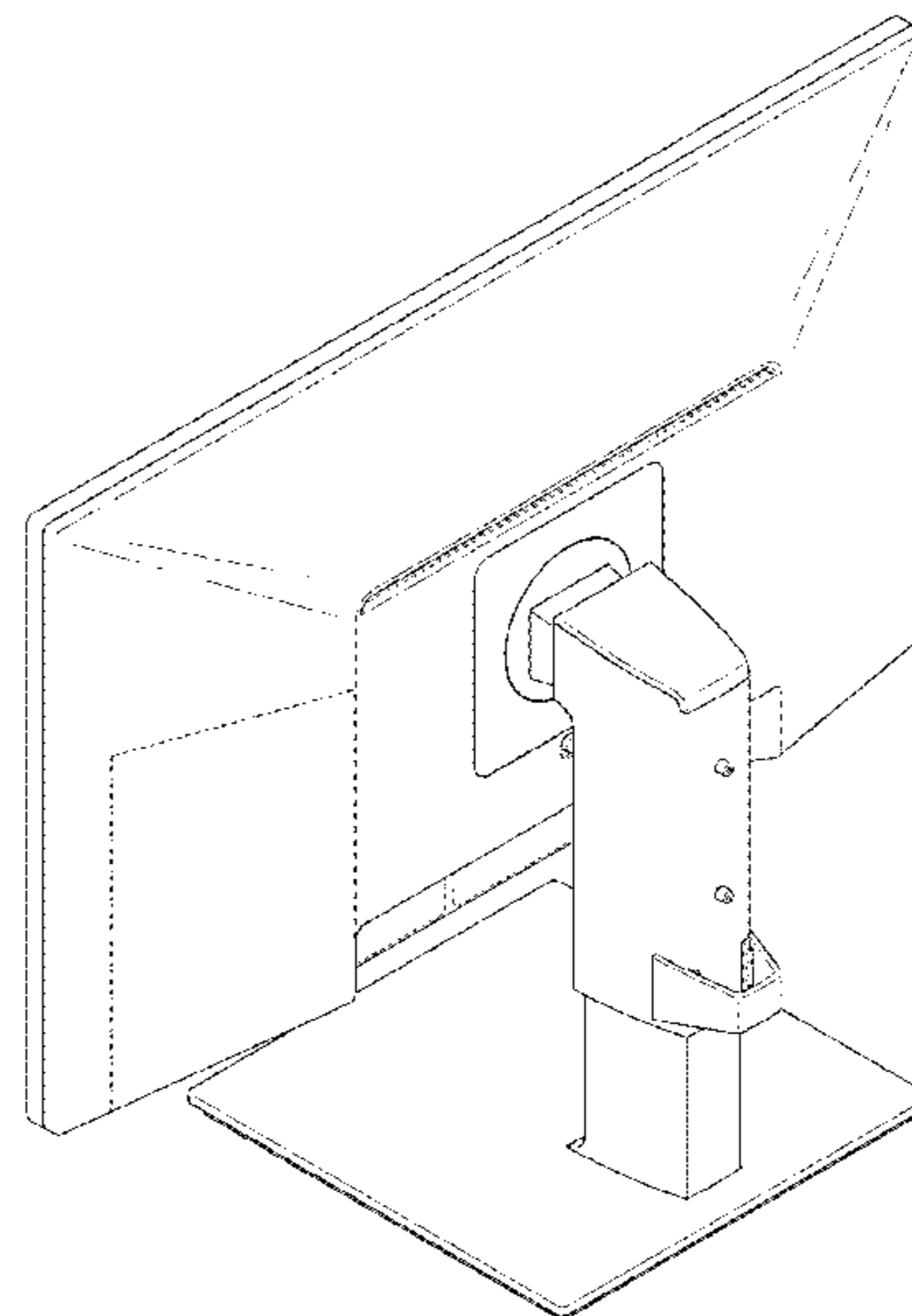
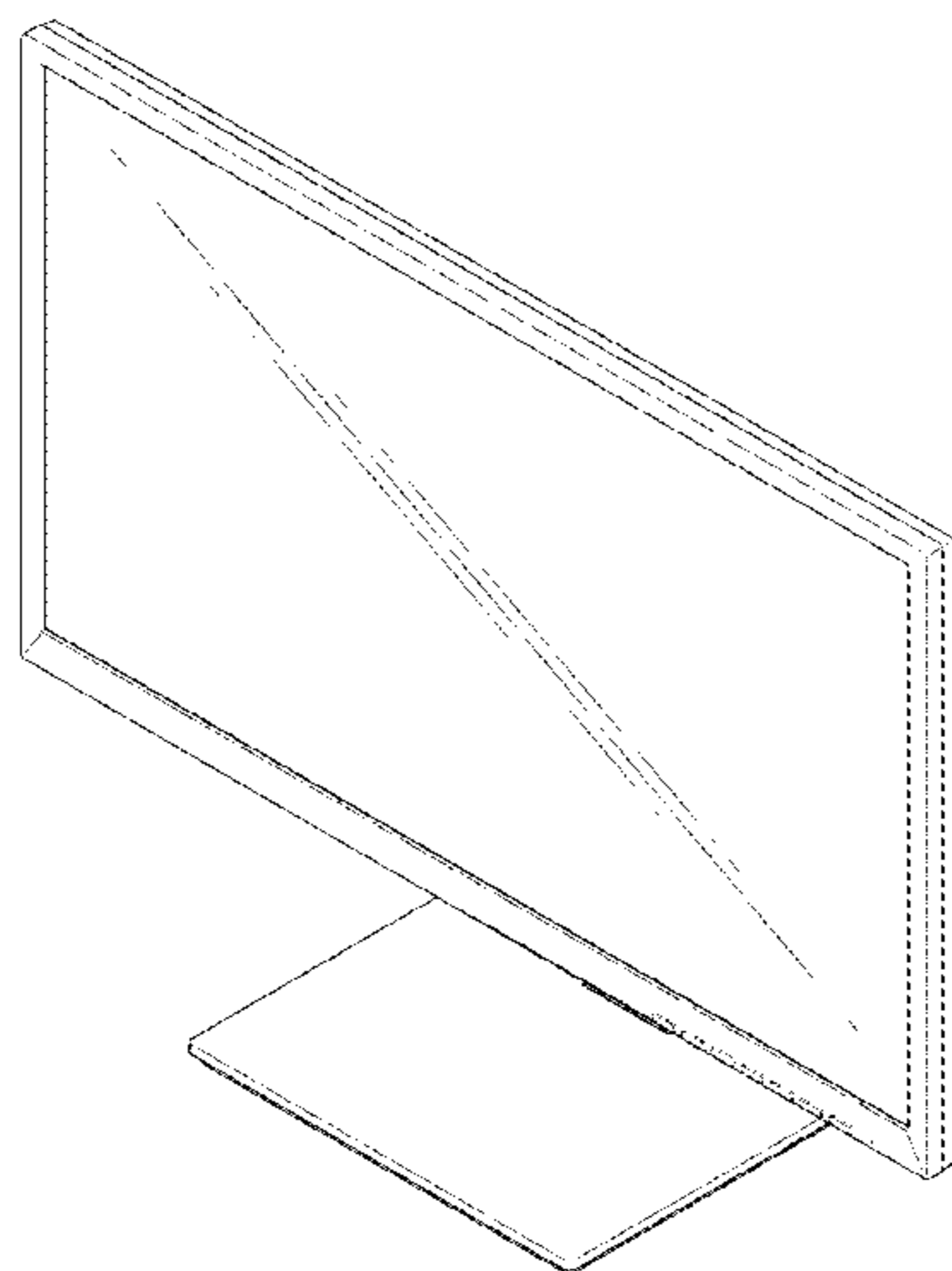
The ornamental design for a monitor for computer, as shown and described.

**DESCRIPTION**

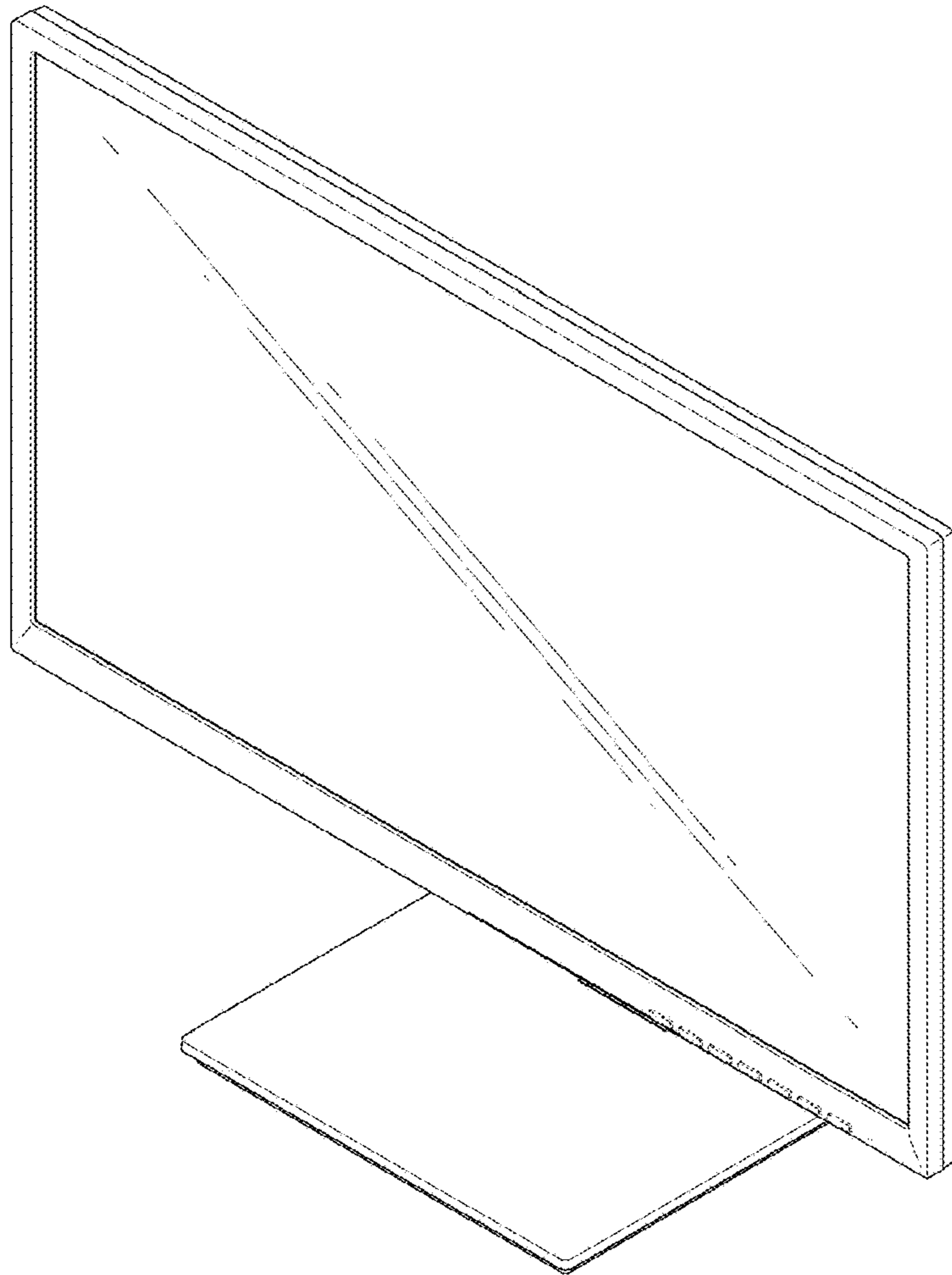
- 1. Monitor for computer
- 1.1 : Perspective
- 1.2 : Rear perspective view
- 1.3 : Front
- 1.4 : Back
- 1.5 : Left
- 1.6 : Right
- 1.7 : Top
- 1.8 : Bottom

The parallel fine lines and curves shown in all the drawings indicate the relief of surface of the product; the broken lines indicate unclaimed portion of the article that form no part of the claimed design.

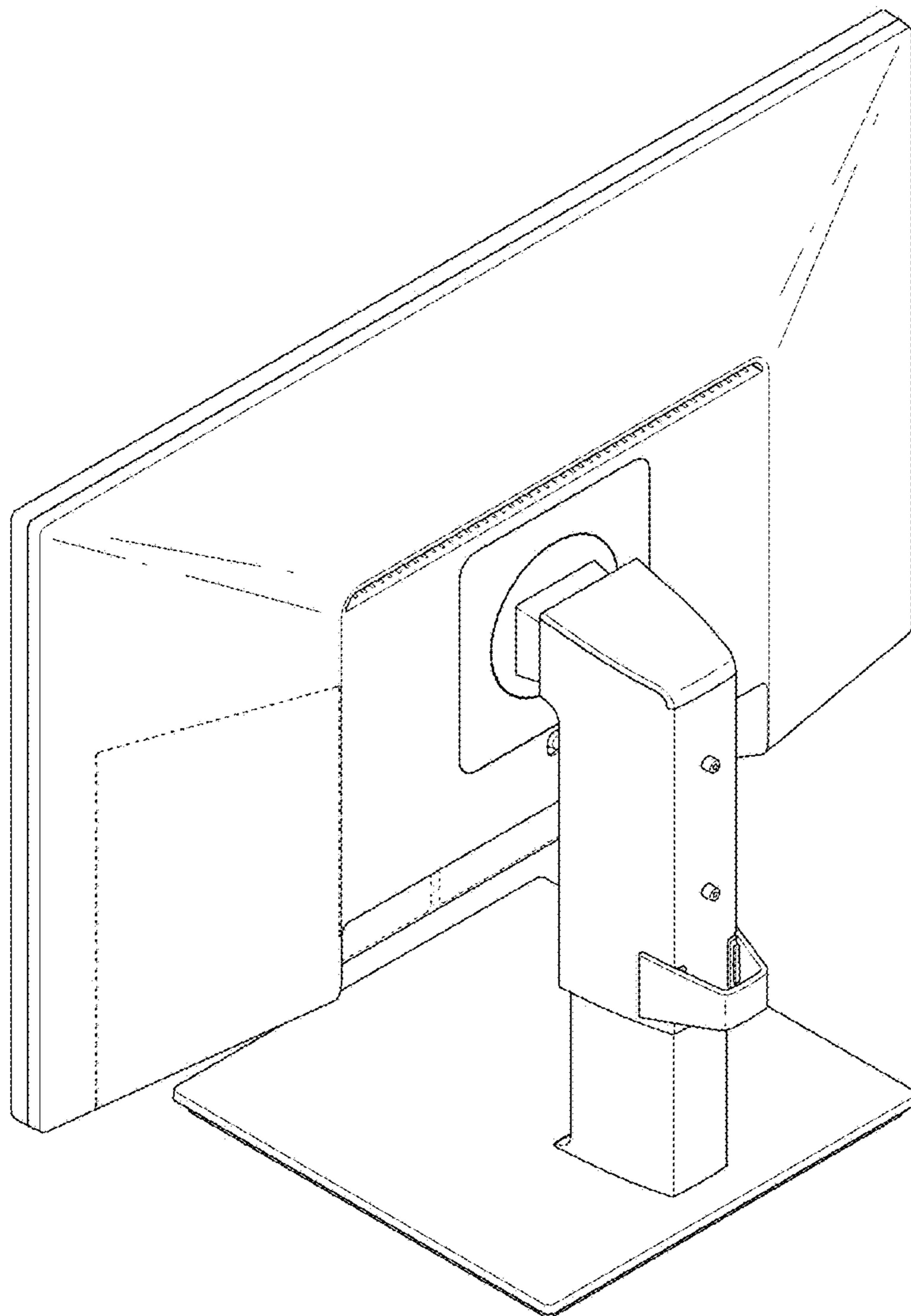
**1 Claim, 7 Drawing Sheets**



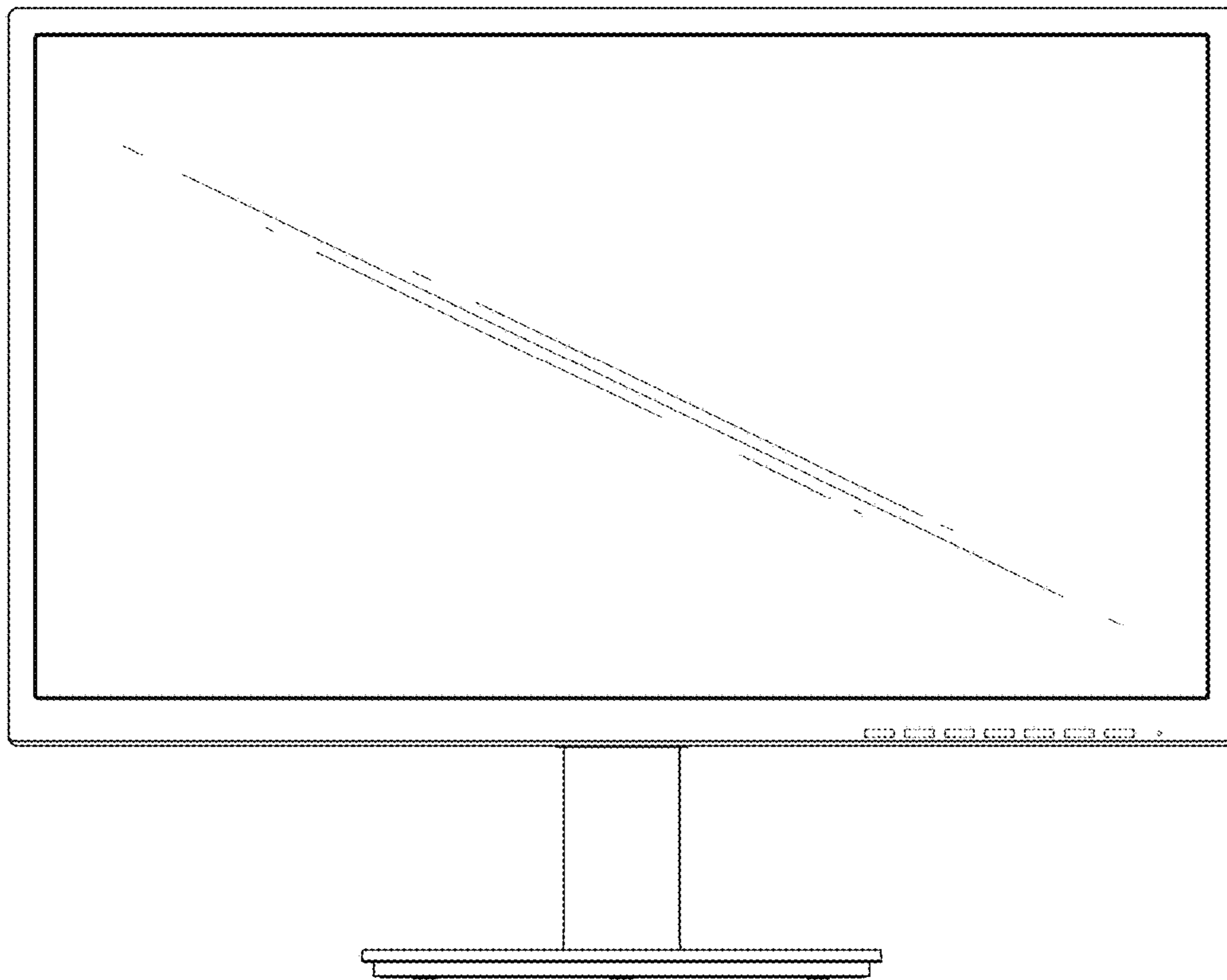
1.1



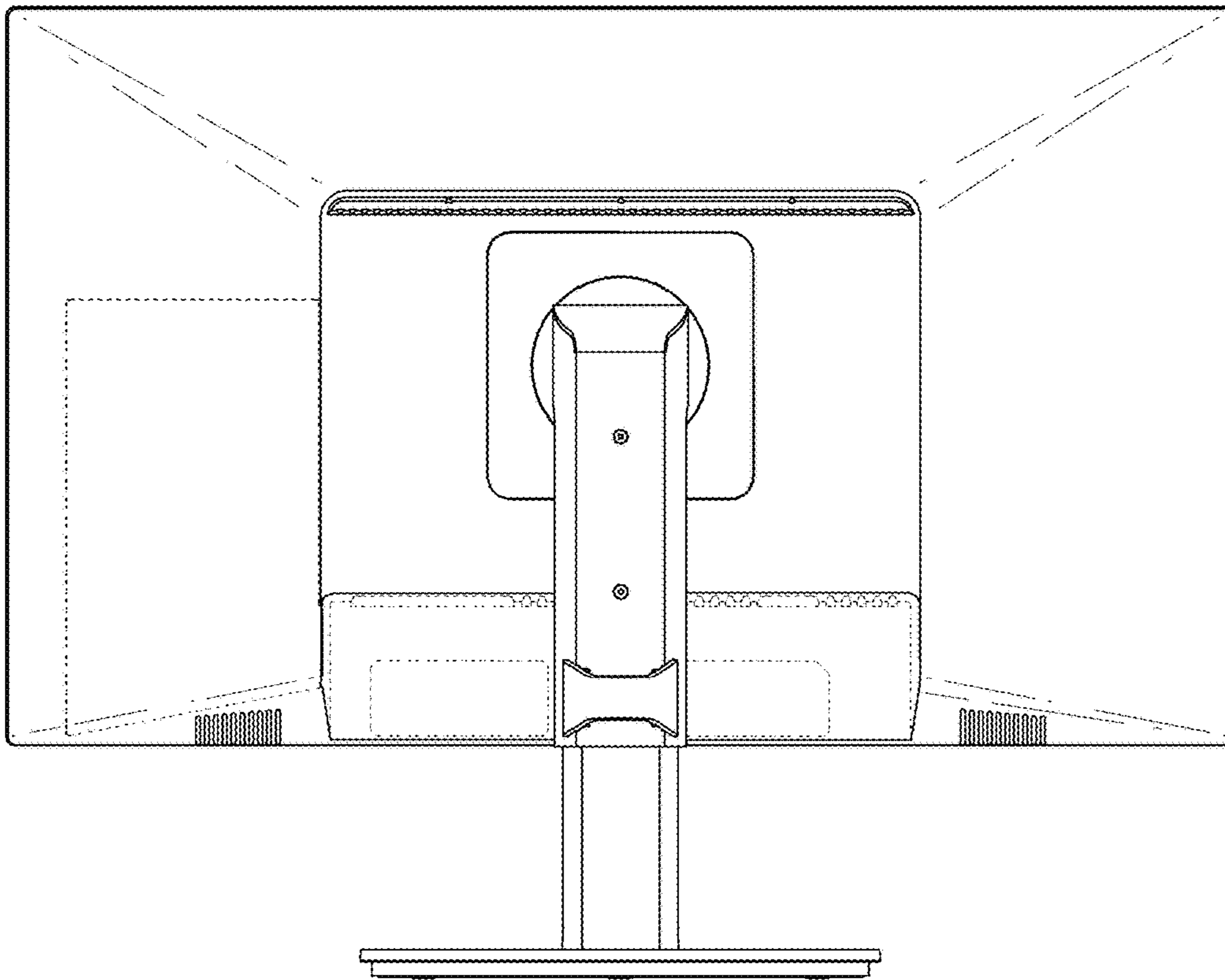
1.2

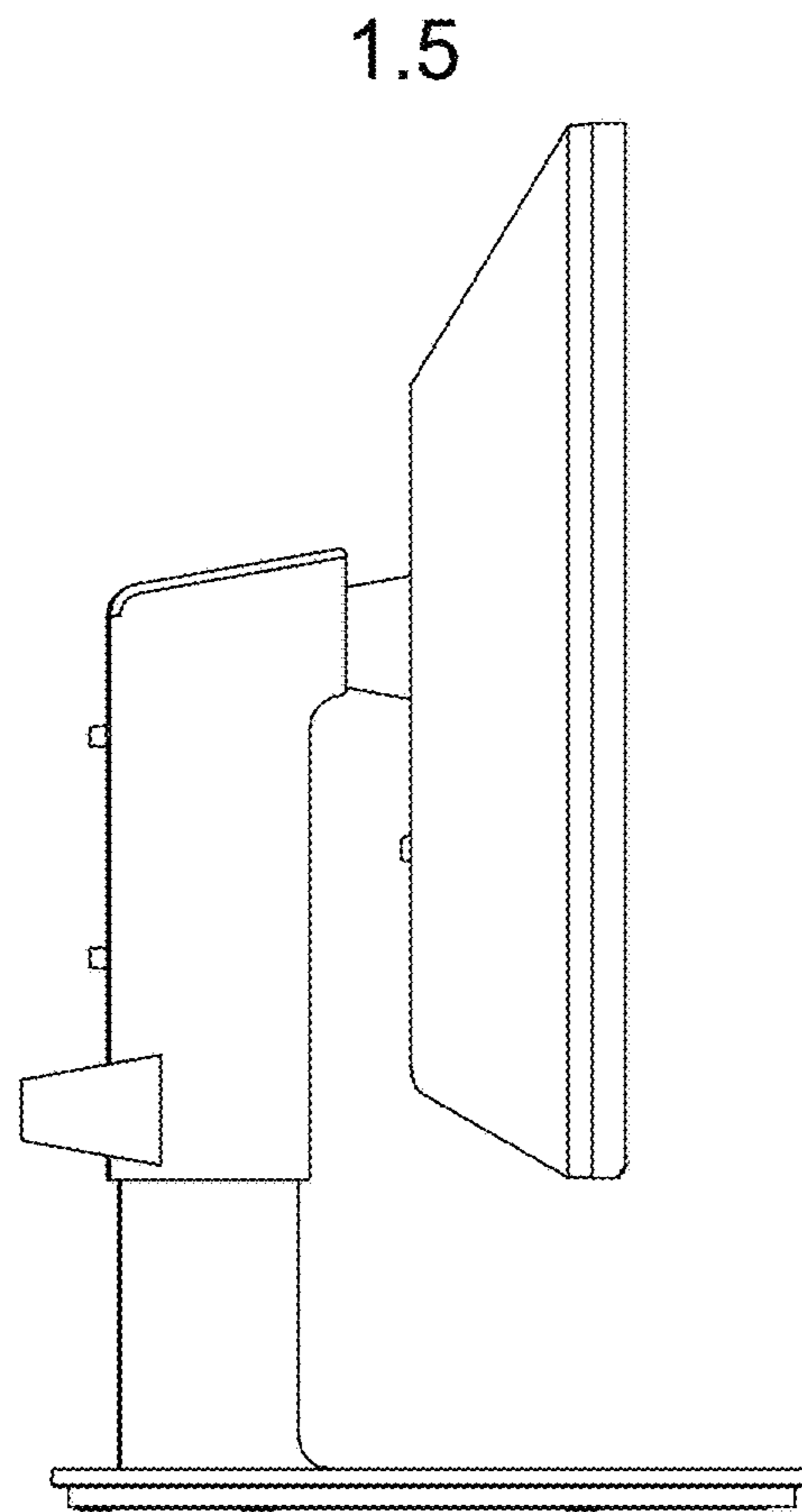


1.3

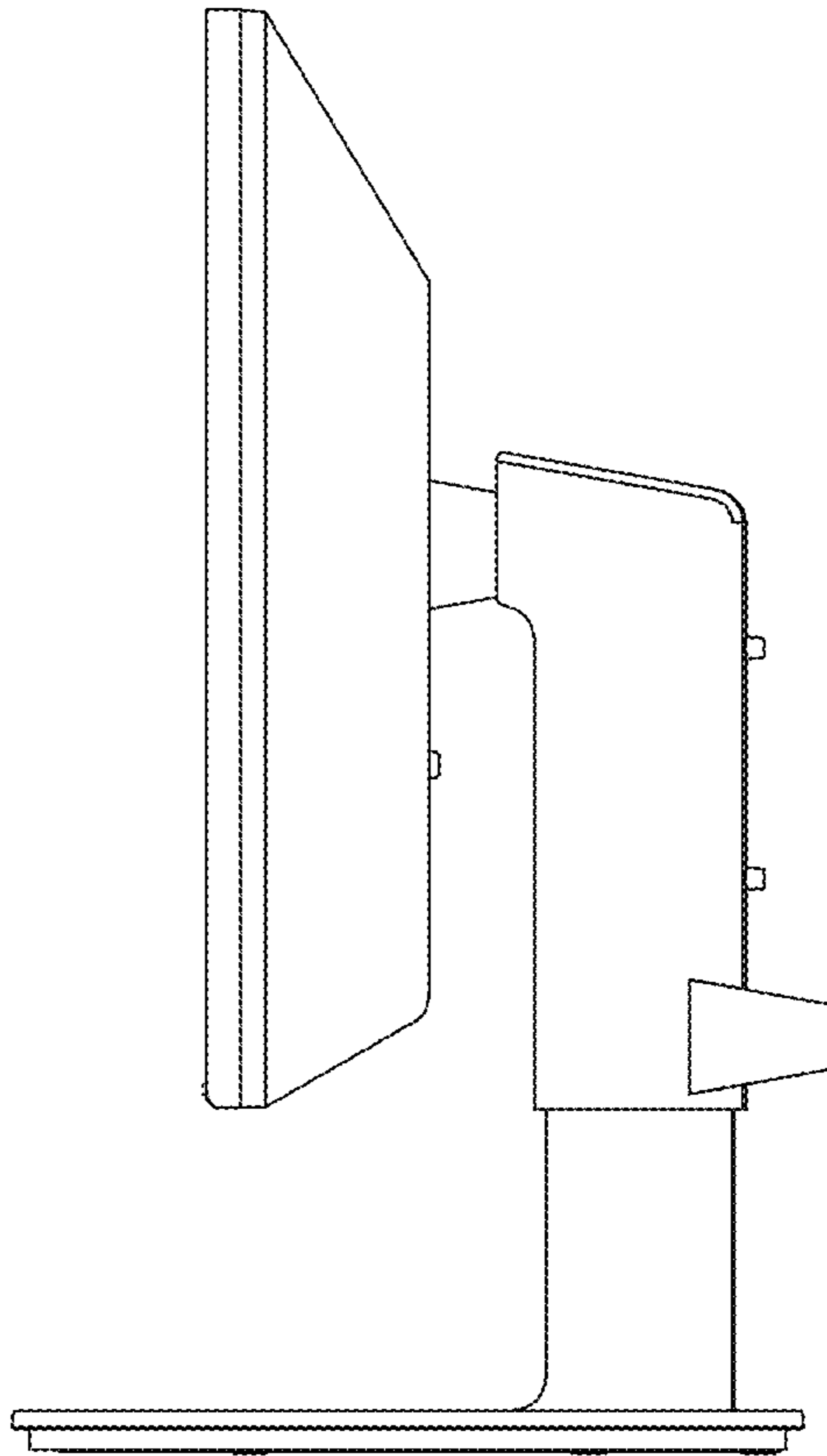


1.4

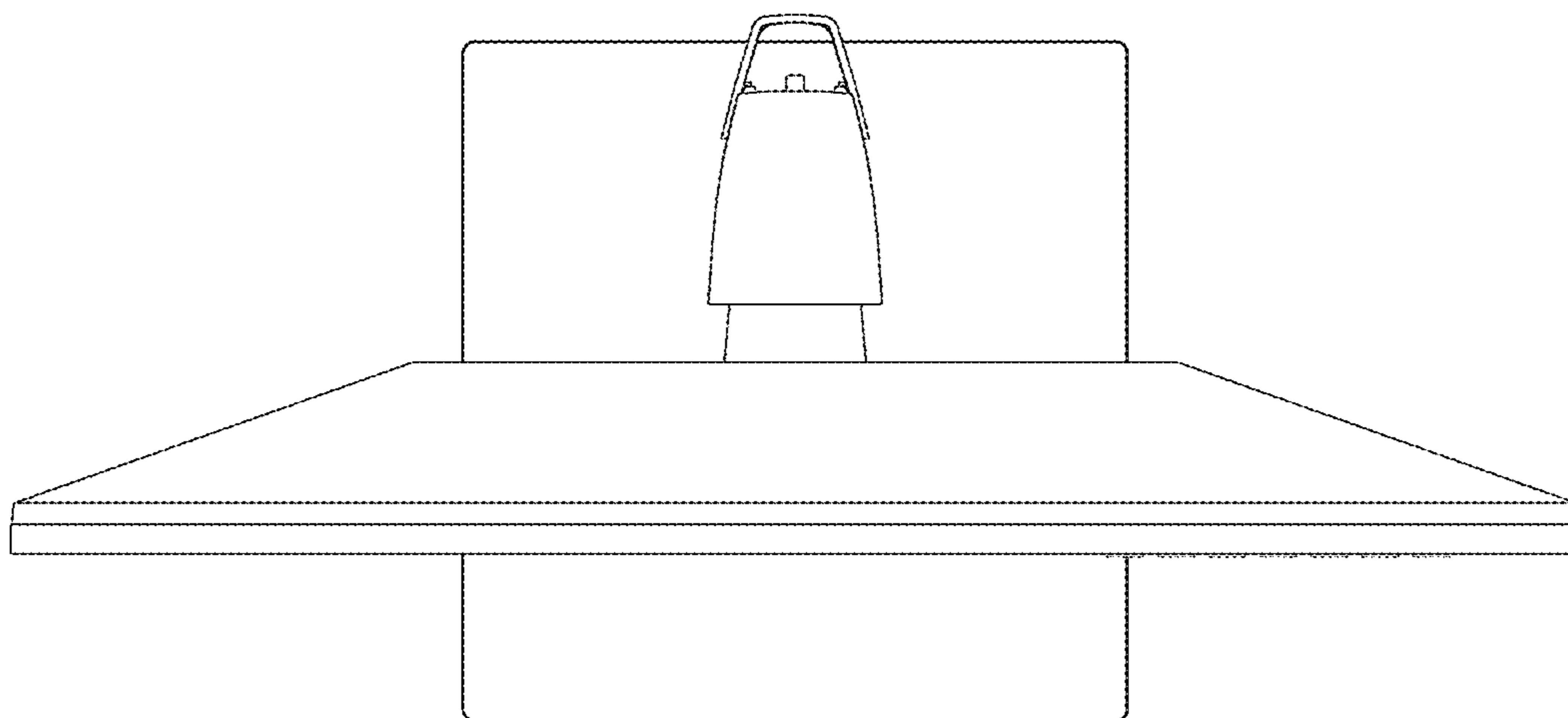




1.6



1.7



1.8

