



US00D869411S

(12) **United States Design Patent**  
**Wang**

(10) **Patent No.:** **US D869,411 S**

(45) **Date of Patent:** **\*\* Dec. 10, 2019**

(54) **VIDEO CAPTURE DEVICE**

(71) Applicant: **AVerMedia Technologies, Inc.**, New Taipei (TW)

(72) Inventor: **Yi-Chun Wang**, New Taipei (TW)

(73) Assignee: **AVerMedia Technologies, Inc.**, New Taipei (TW)

(\*\*) Term: **15 Years**

(21) Appl. No.: **29/663,177**

(22) Filed: **Sep. 12, 2018**

(30) **Foreign Application Priority Data**

Mar. 14, 2018 (TW) ..... 107301452

(51) **LOC (12) Cl.** ..... **14-03**

(52) **U.S. Cl.**  
USPC ..... **D14/125**; D14/433; D14/496; D14/357

(58) **Field of Classification Search**  
USPC ..... D14/363, 356, 357, 358, 432, 216, 240,  
D14/242, 299, 125, 140, 140.1, 155, 168,  
D14/188, 195, 300, 302, 314, 348, 351,  
D14/388, 496, 142, 230, 433, 434, 370,  
D14/436; D13/110, 123, 184, 199;  
D10/104.1, 106.6, 116.1, 106.9, 46;  
D21/324, 332, 333

CPC ..... G06F 1/1632; H05K 5/00; H05K 5/069;  
H05K 5/0004; H05K 5/0086; H05K  
5/0247; H05K 7/005; H01H 9/02

See application file for complete search history.

(56) **References Cited**

**U.S. PATENT DOCUMENTS**

D251,143 S \* 2/1979 Hardy ..... D21/332  
D260,513 S \* 9/1981 Comstock ..... D13/126  
D276,998 S \* 1/1985 Caven ..... D13/179  
D277,754 S \* 2/1985 Becker ..... D14/125

D292,914 S \* 11/1987 Moeller ..... D13/123  
D310,998 S \* 10/1990 Lee ..... D14/434  
D313,404 S \* 1/1991 Myers ..... D14/434  
D317,445 S \* 6/1991 Sacherman ..... D14/353  
D324,244 S \* 2/1992 Stamper ..... D21/333  
D336,074 S \* 6/1993 Friend ..... D13/184  
D350,338 S \* 9/1994 Meschter ..... D14/434  
D363,064 S \* 10/1995 Rogov ..... D14/433  
D370,481 S \* 6/1996 Brooks ..... D14/496  
D440,980 S \* 4/2001 Chung ..... D14/496  
D490,441 S \* 5/2004 Inoue ..... D14/496

(Continued)

**OTHER PUBLICATIONS**

Set-top Box and Audio-video appliances for processing of sounds and images. (Design—© Questel) orbit.com. [online PDF] 9 pgs. Print Dates Range Sep. 25, 2018 through May 28, 2019. [Retrieved on Mar. 19, 2019] <https://sobjprd.questel.fr/export/QPTUJ214/pdf2/0203d888-cdbb-4b61-91b7-ed885b30723a-170534.pdf>.\*

*Primary Examiner* — Marie D. Fast Horse

(74) *Attorney, Agent, or Firm* — Schmeiser, Olsen & Watts, LLP

(57) **CLAIM**

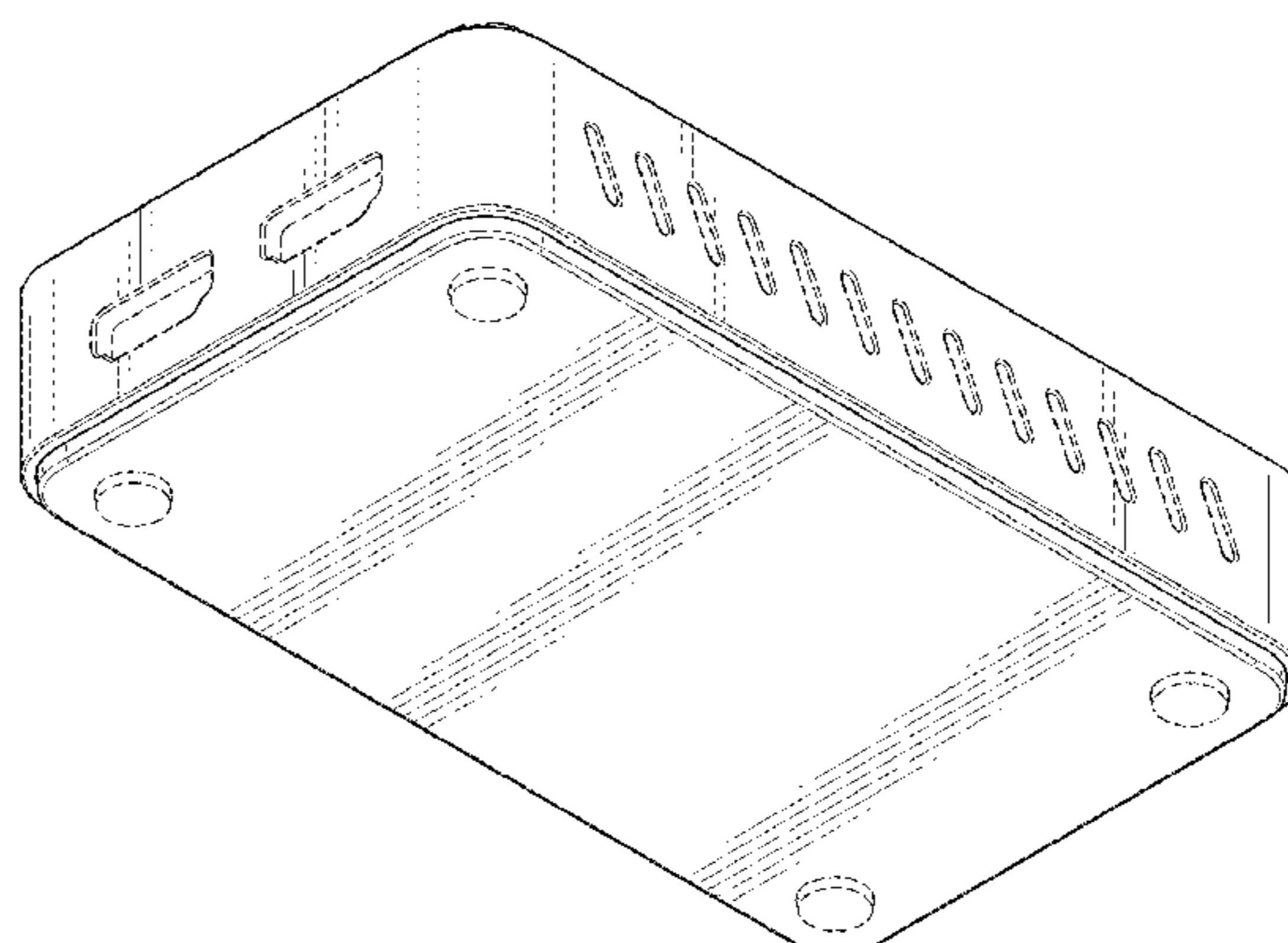
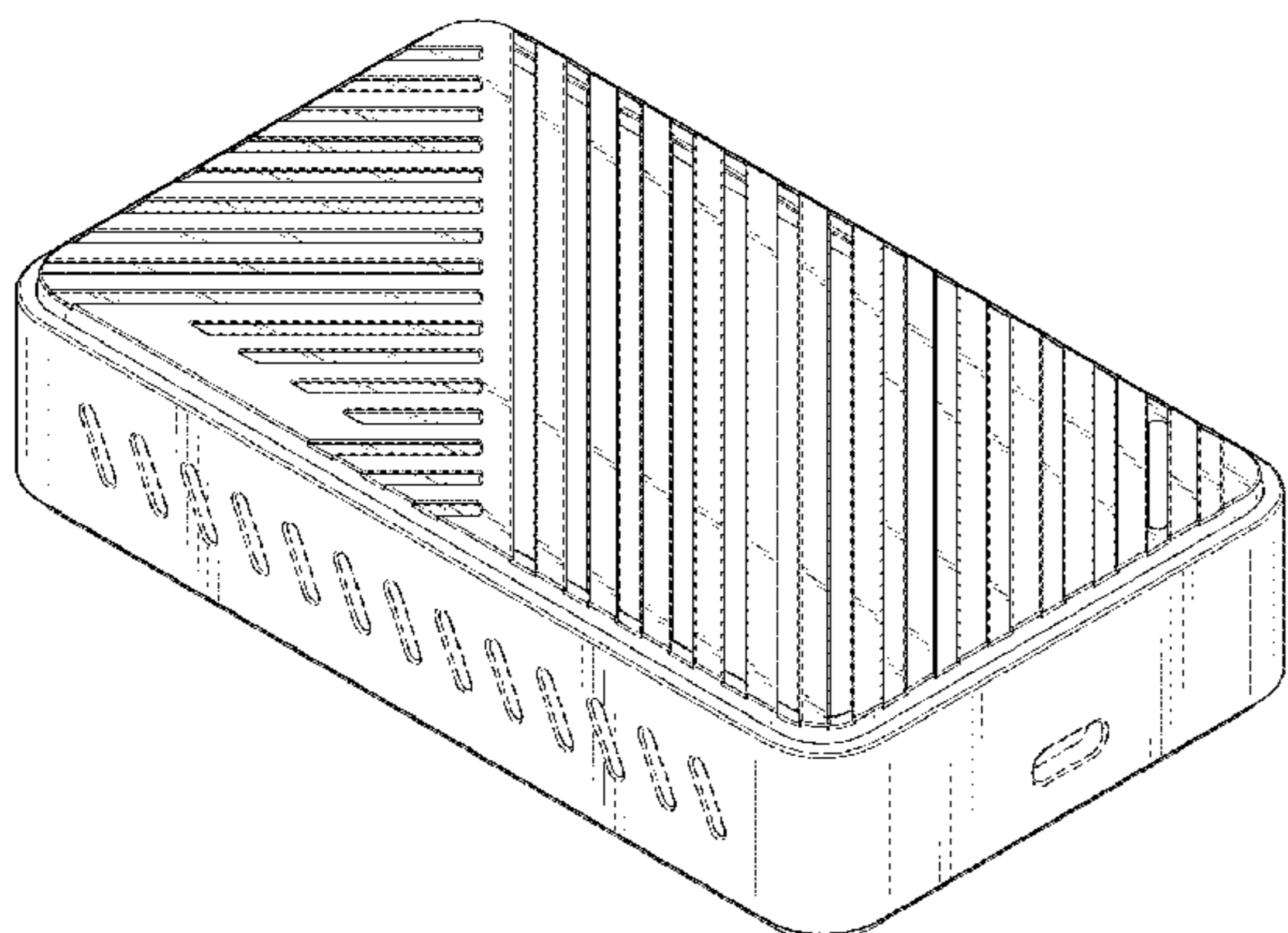
I claim the ornamental design for a video capture device, as shown and described.

**DESCRIPTION**

FIG. 1 is perspective view of a video capture device showing my new design;  
FIG. 2 is a bottom perspective view thereof;  
FIG. 3 is a front view thereof;  
FIG. 4 is a rear view thereof;  
FIG. 5 is a left side view thereof;  
FIG. 6 is a right side view thereof;  
FIG. 7 is a top view thereof; and,  
FIG. 8 is a bottom view thereof.

The broken lines in the drawings depict portions of the video capture device that form no part of the claimed design.

**1 Claim, 8 Drawing Sheets**



(56)

References Cited

U.S. PATENT DOCUMENTS

D500,324	S	*	12/2004	Hussaini	.....	D14/496
D508,898	S	*	8/2005	Gargani	.....	D14/125
D528,516	S	*	9/2006	Chou	.....	D14/125
D567,768	S	*	4/2008	Lee	.....	D13/168
D603,834	S	*	11/2009	Lyman	.....	D14/155
D609,687	S	*	2/2010	Lyman	.....	D14/155
D625,720	S	*	10/2010	Kang	.....	D14/203.1
D640,646	S	*	6/2011	Wu	.....	D14/125
D653,662	S	*	2/2012	Park	.....	D14/358
D693,798	S	*	11/2013	Chuang	.....	D14/240
D728,467	S	*	5/2015	Hasbrook	.....	D13/103
D733,043	S	*	6/2015	Hasbrook	.....	D13/103
D745,010	S	*	12/2015	Kim	.....	D14/433
D778,280	S	*	2/2017	Vanderpol	.....	D14/363
D782,476	S	*	3/2017	Yamazaki	.....	D14/240
D785,579	S	*	5/2017	McMiller	.....	D14/125
D789,339	S	*	6/2017	Tang	.....	D14/240
D789,931	S	*	6/2017	Drew	.....	D14/357
9,699,922	B1	*	7/2017	Selken	.....	H05K 5/0004
D798,266	S	*	9/2017	Goltche	.....	D14/188
D798,339	S	*	9/2017	Yang	.....	D14/203.1
D815,054	S	*	4/2018	Odryna	.....	D14/125
D816,057	S	*	4/2018	Jue	.....	D14/155
D821,983	S	*	7/2018	Shah	.....	D14/358
D823,304	S	*	7/2018	Drew	.....	D14/357
D839,273	S	*	1/2019	He	.....	D14/435.1
D851,053	S	*	6/2019	Odryna	.....	D14/125
D853,368	S	*	7/2019	Uchida	.....	D14/358
D855,029	S	*	7/2019	Odryna	.....	D14/125
2010/0180063	A1	*	7/2010	Ananny	.....	H04M 1/6066 710/315

\* cited by examiner

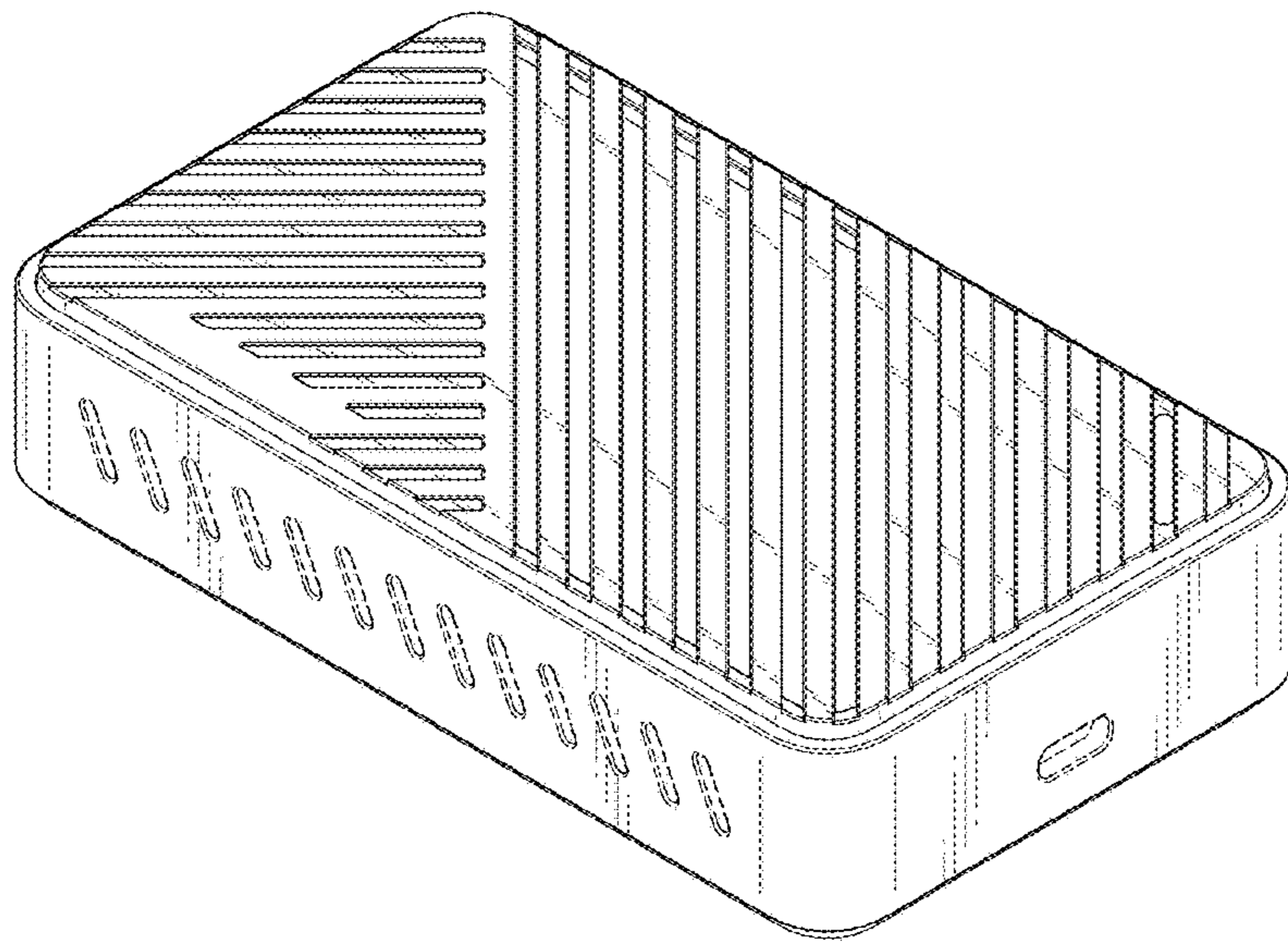


FIG.1

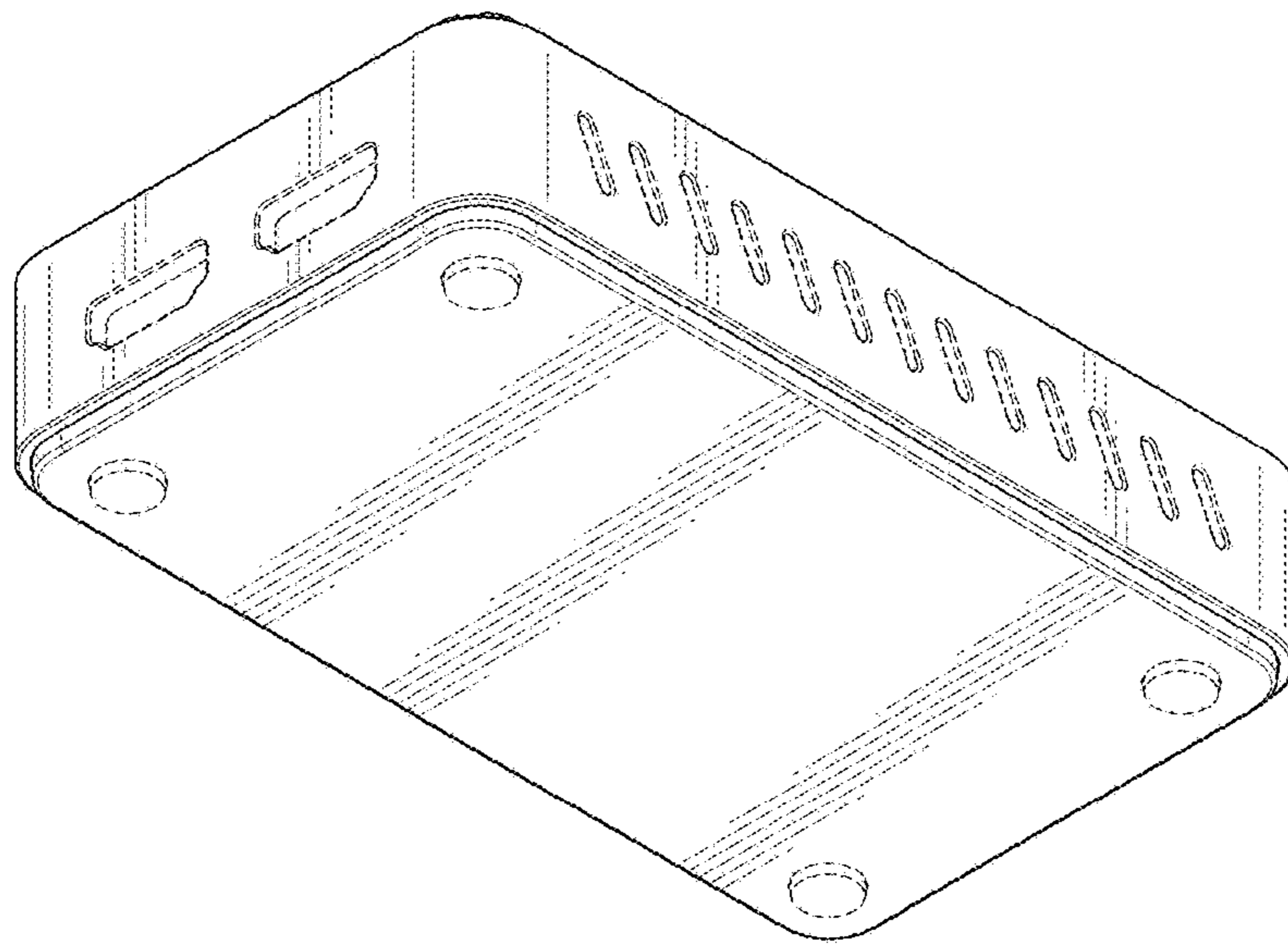


FIG.2

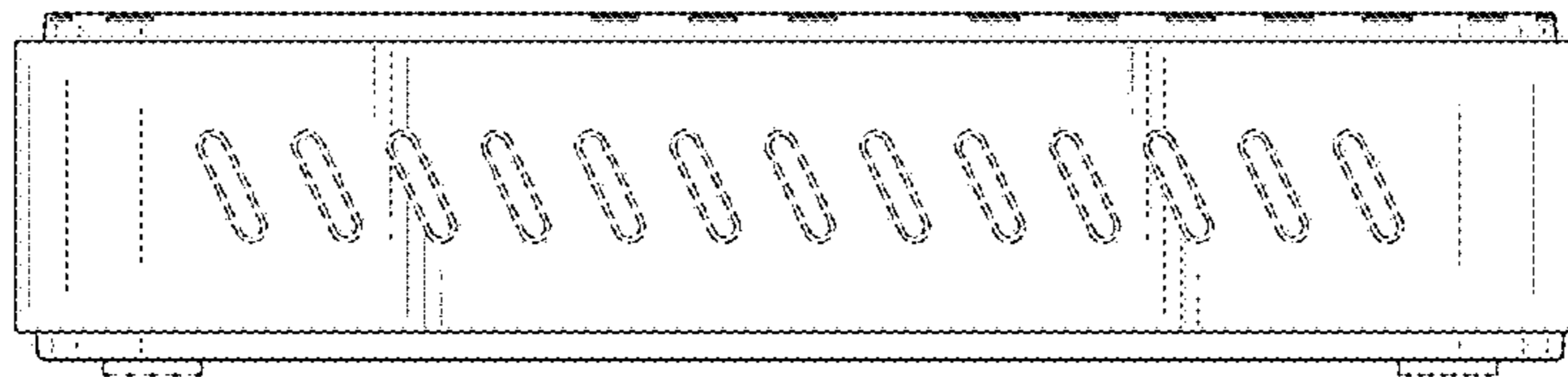


FIG.3

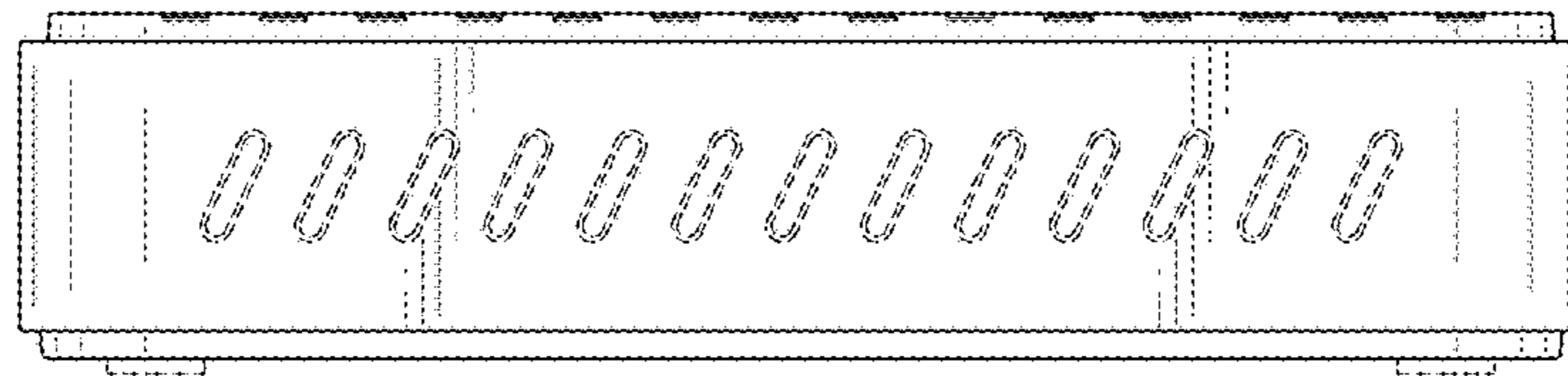


FIG.4

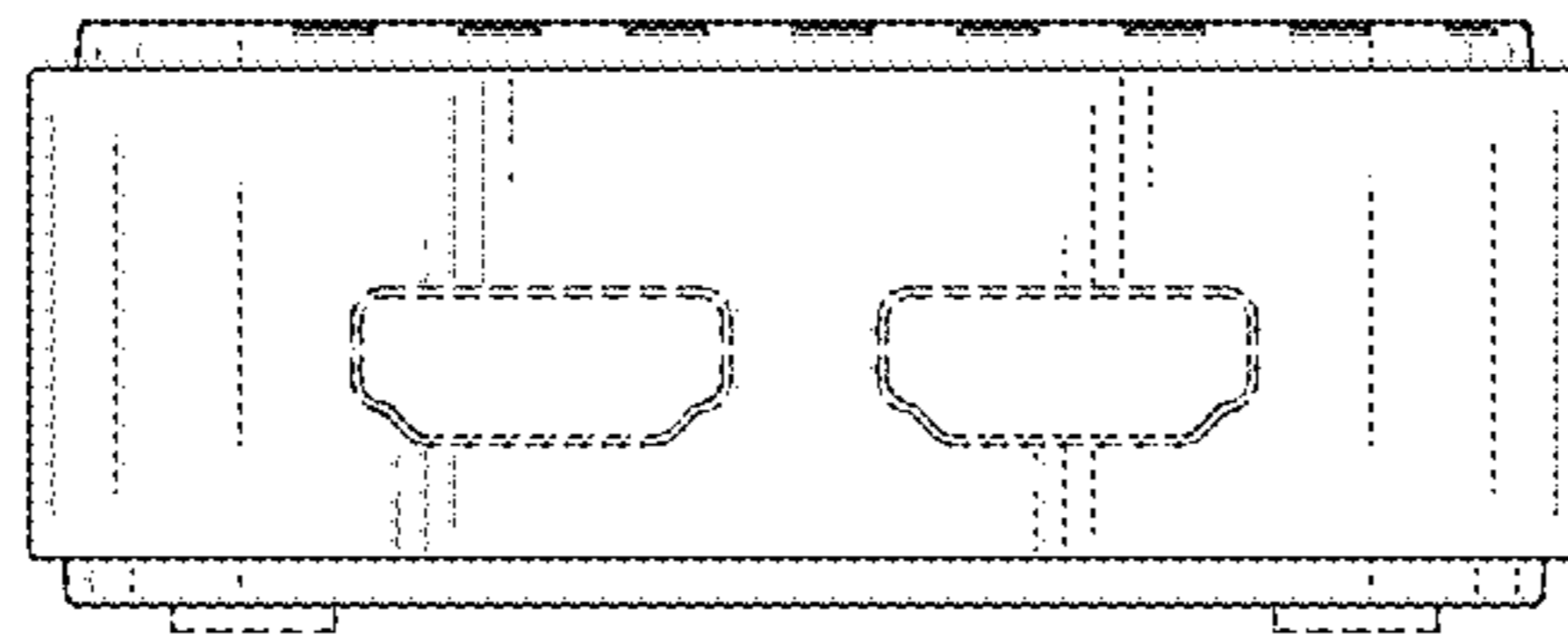


FIG.5

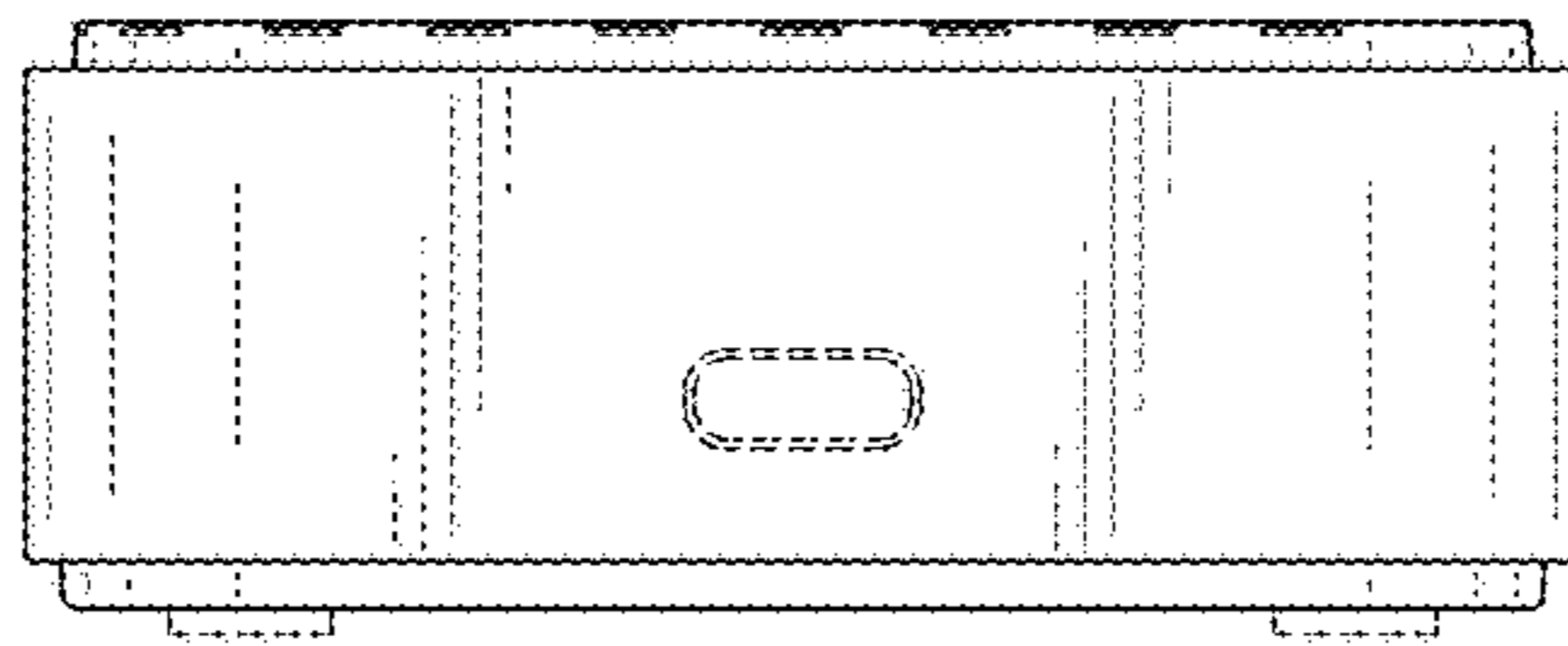


FIG.6



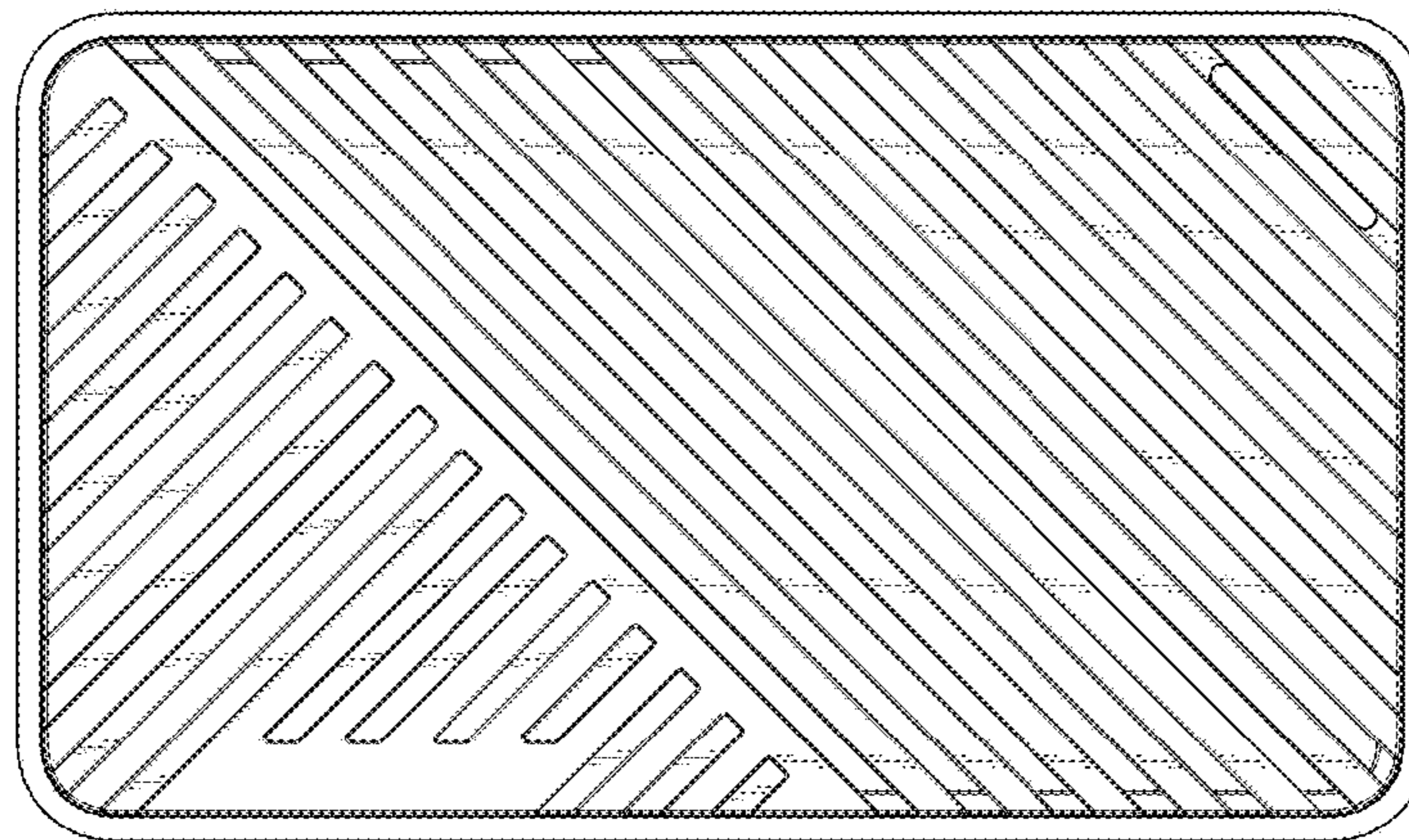


FIG.7

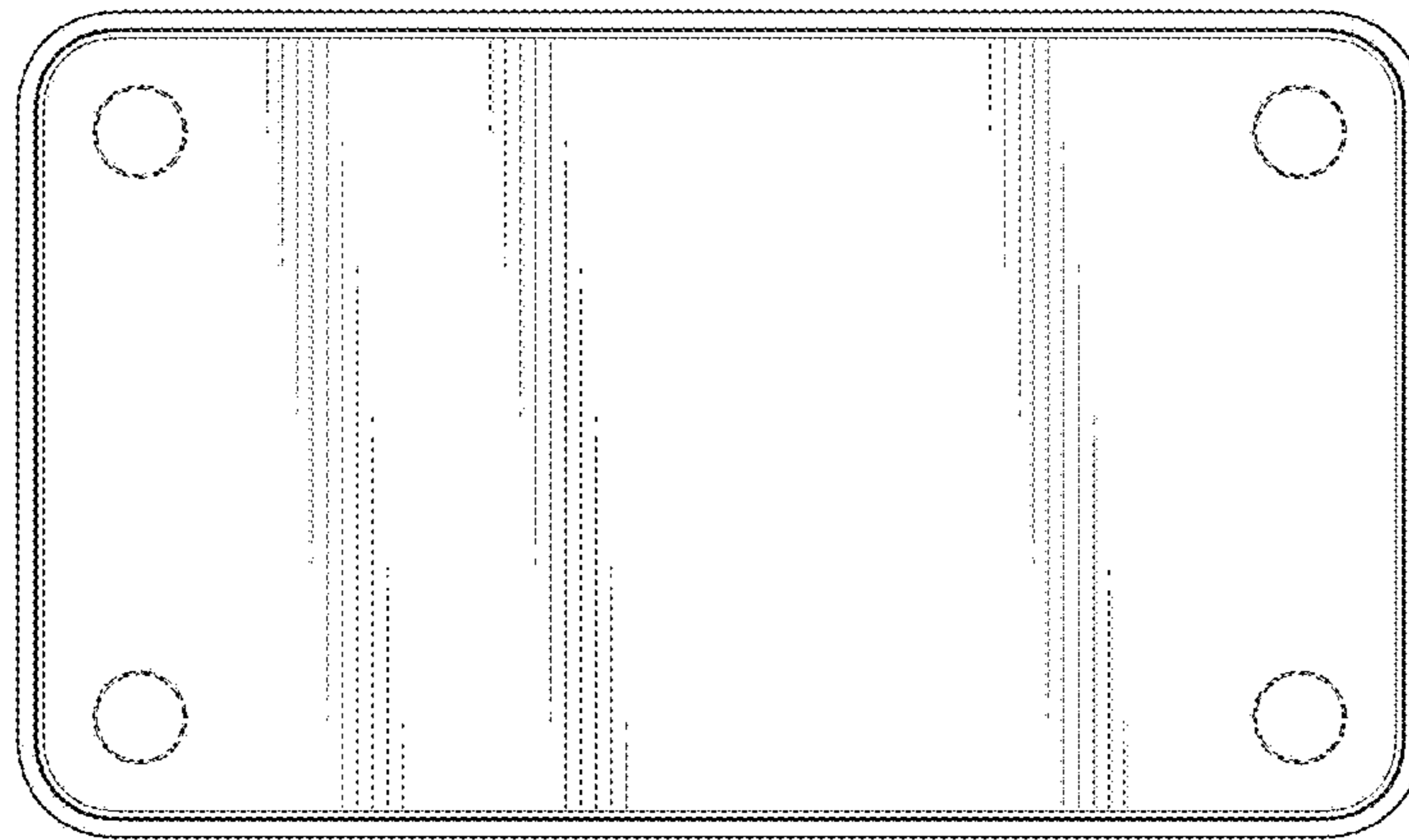


FIG. 8