

US00D869410S

(12) **United States Design Patent**
Kochi et al.

(10) **Patent No.:** **US D869,410 S**

(45) **Date of Patent:** **** Dec. 10, 2019**

(54) **SIGNAL CONVERTER**

(71) Applicant: **SMC CORPORATION**, Tokyo (JP)

(72) Inventors: **Yuko Kochi**, Tsukubamirai (JP);
Tomohiko Aki, Nagareyama (JP);
Norimasa Ozaki, Moriya (JP)

(73) Assignee: **SMC CORPORATION**, Tokyo (JP)

(**) Term: **15 Years**

(21) Appl. No.: **29/595,300**

(22) Filed: **Feb. 27, 2017**

(30) **Foreign Application Priority Data**

Oct. 13, 2016 (JP) 2016-022327

(51) **LOC (12) Cl.** **13-03**

(52) **U.S. Cl.**
USPC **D13/184**; D13/147

(58) **Field of Classification Search**
USPC D13/133, 146, 147, 153, 154, 184, 199
CPC H01R 13/7036; H02G 3/14; F21S 4/001
See application file for complete search history.

(56) **References Cited**

U.S. PATENT DOCUMENTS

5,803,059	A *	9/1998	Jacobs	F02P 15/00 123/595
D449,275	S *	10/2001	Goto	D13/147
D450,039	S *	11/2001	Goto	D13/147
D674,755	S *	1/2013	Suzuki	D13/147
D675,571	S *	2/2013	Suzuki	D13/147
D679,656	S *	4/2013	Richards	D13/146
D680,079	S *	4/2013	Richards	D13/147
D686,160	S *	7/2013	Richards	D13/147

D686,161	S *	7/2013	Richards	D13/147
D715,741	S *	10/2014	Dallmeyer	D13/146
9,120,424	B2 *	9/2015	Motts	B60Q 1/305
D816,609	S *	5/2018	Komuro	D13/110

FOREIGN PATENT DOCUMENTS

JP	1014184-1	S	7/1998
JP	1014184	S	7/1998

* cited by examiner

Primary Examiner — Janice Hallmark

Assistant Examiner — Harold E Blackwell, II

(74) *Attorney, Agent, or Firm* — Birch, Stewart, Kolasch & Birch, LLP

(57) **CLAIM**

The ornamental design for a signal converter, as shown and described.

DESCRIPTION

FIG. 1 is a front, top and right side perspective view of a signal converter showing our new design;

FIG. 2 is a rear, bottom and left side perspective view thereof;

FIG. 3 is a front view thereof;

FIG. 4 is a rear view thereof;

FIG. 5 is a top plan view thereof;

FIG. 6 is a bottom plan view thereof;

FIG. 7 is a left side view thereof; and,

FIG. 8 is a right side view thereof.

The signal converter is shown with a symbolic break in its length. The appearance of any portion of the article between the break lines forms no part of the claimed design.

1 Claim, 8 Drawing Sheets

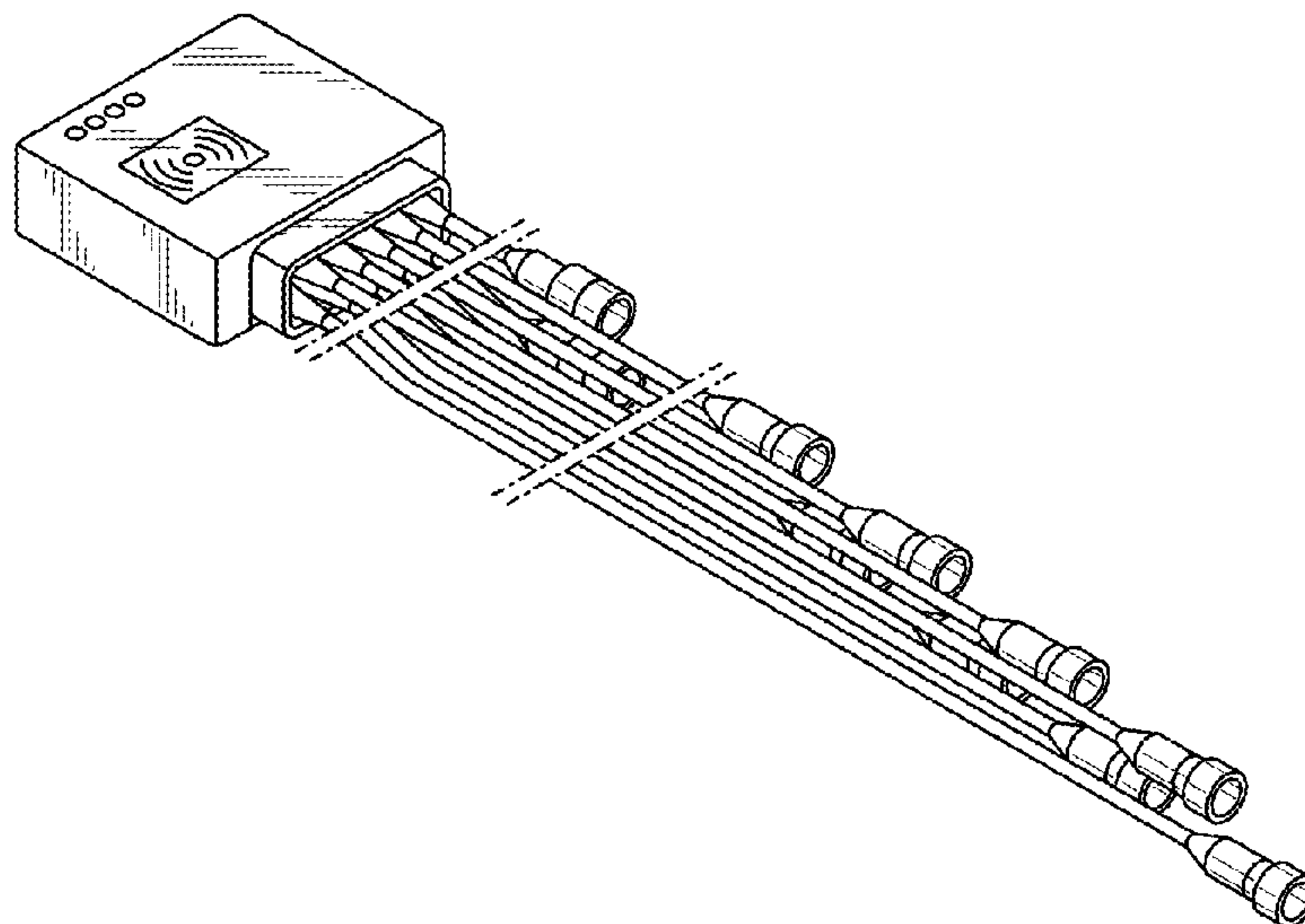


FIG. 1

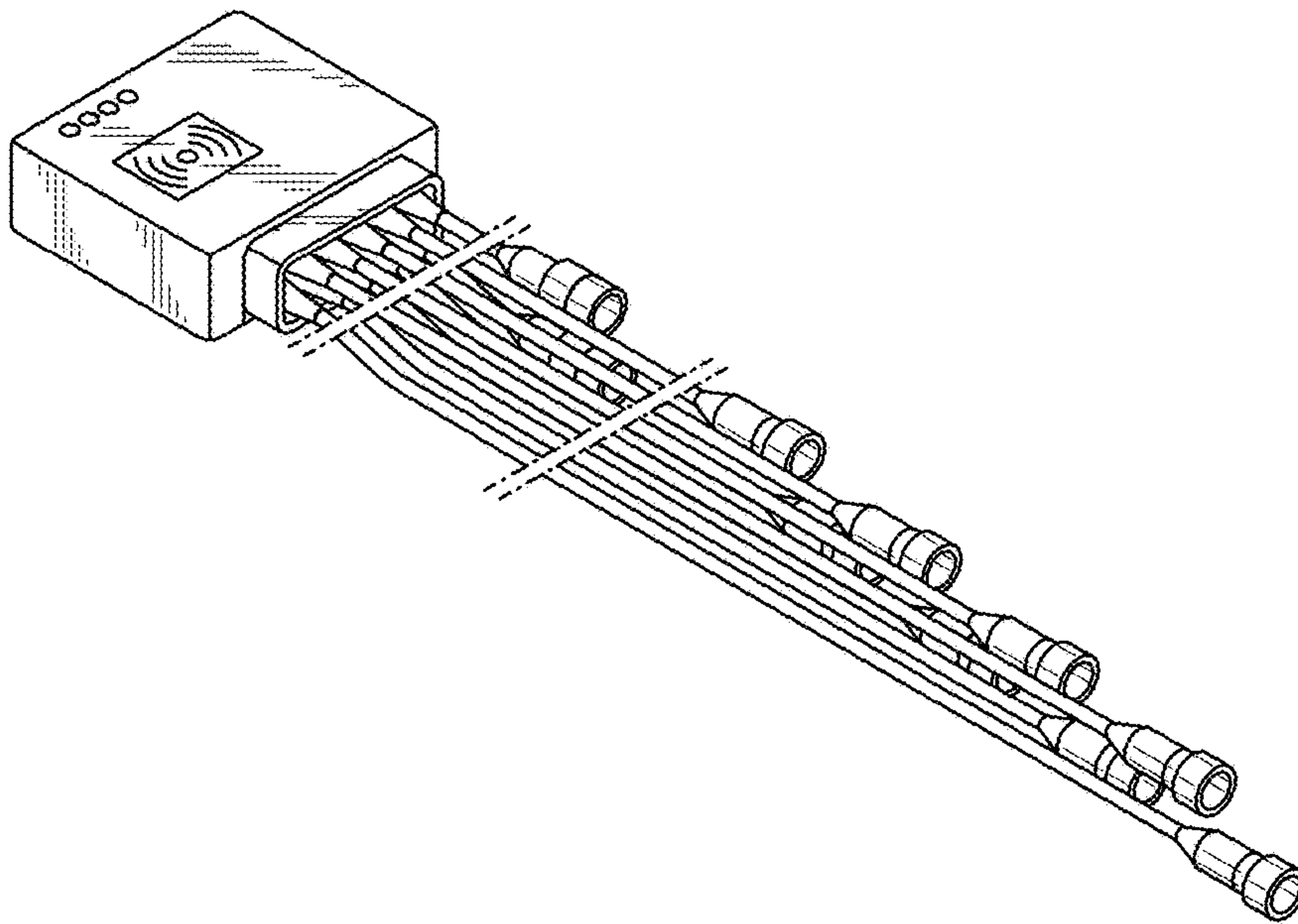


FIG. 2

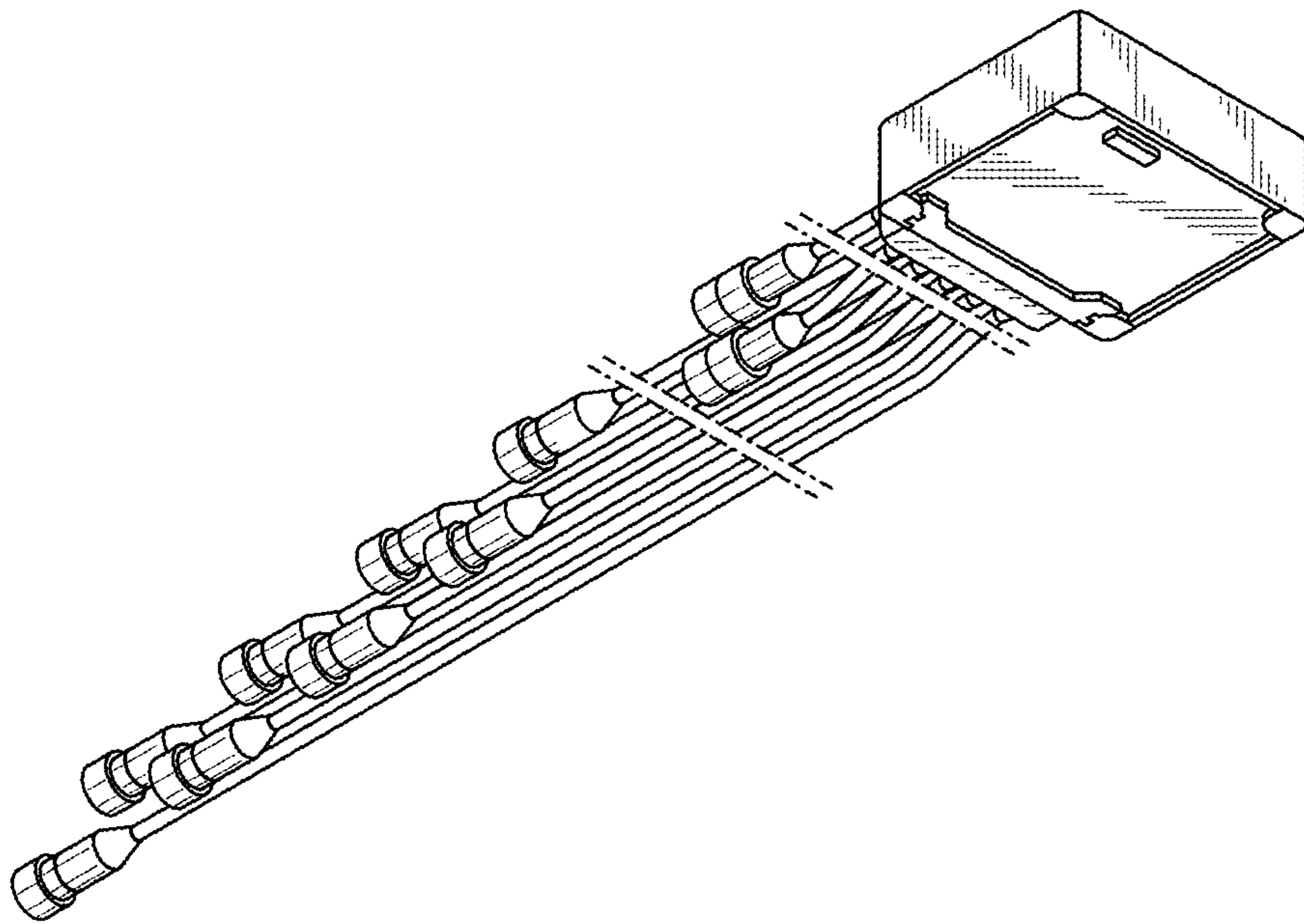


FIG. 3

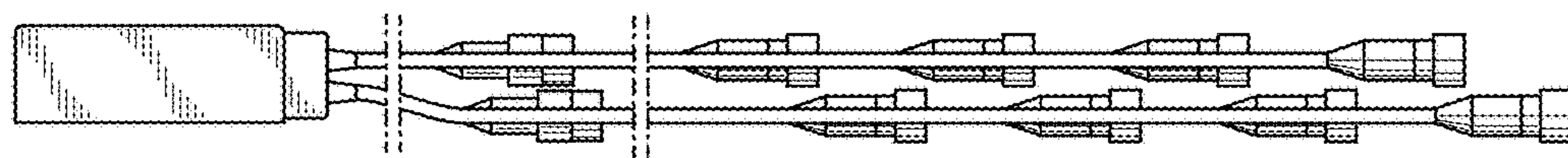


FIG. 4

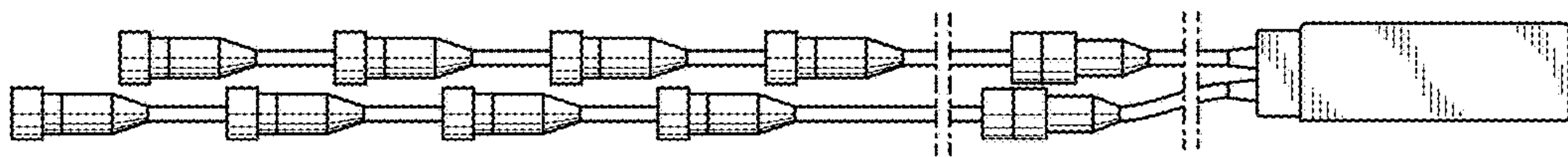


FIG. 5

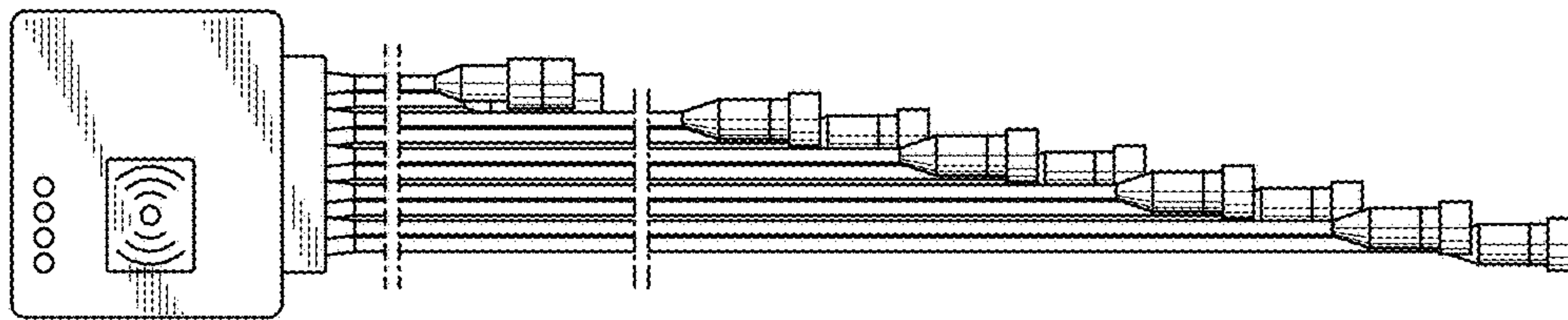


FIG. 6

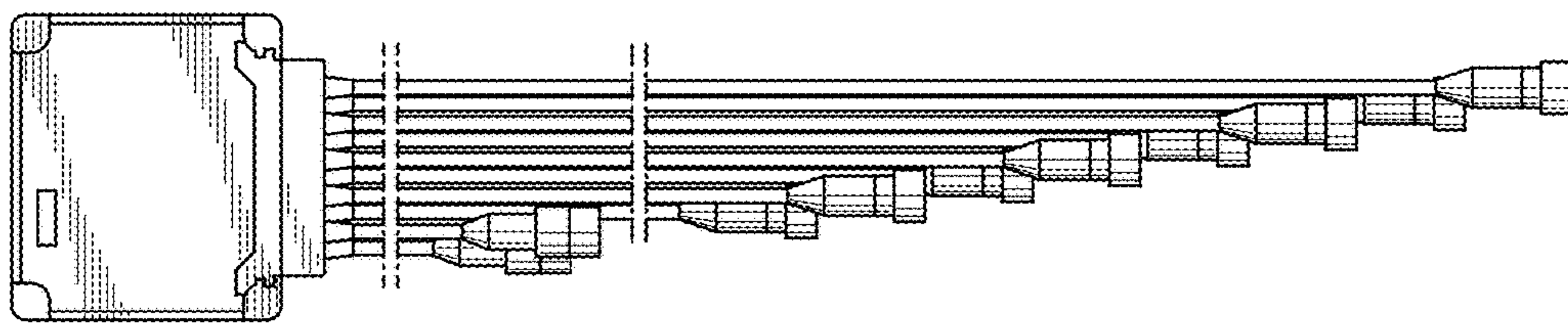


FIG. 7

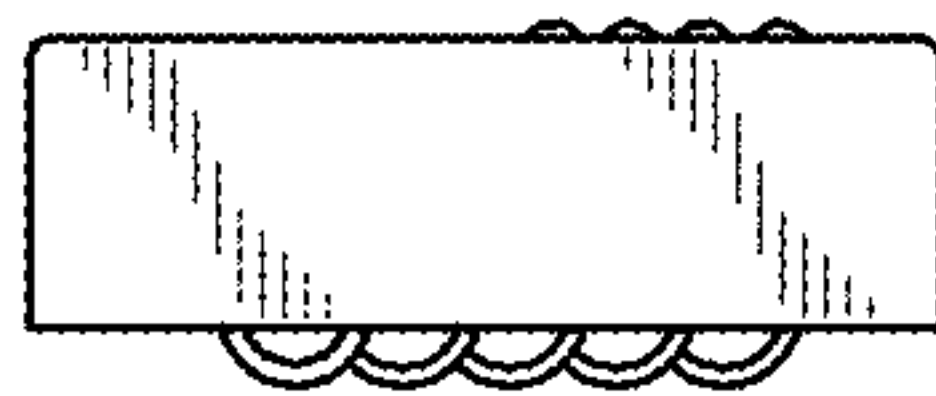


FIG. 8

