



US00D869407S

(12) **United States Design Patent**
Moczygemba et al.

(10) **Patent No.:** **US D869,407 S**

(45) **Date of Patent:** **** Dec. 10, 2019**

- (54) **POWERSTRAP GENERATOR**
- (71) Applicant: **II-VI Delaware, Inc.**, Wilmington, DE (US)
- (72) Inventors: **Joshua Edward Moczygemba**, Winona, TX (US); **Jason Christopher Mefford**, Garland, TX (US); **William Ray McMahan**, Plano, TX (US)
- (73) Assignee: **II-VI Delaware, Inc.**, Wilmington, DE (US)

2005/0121065 A1* 6/2005 Otey H01L 35/32
136/205
2013/0213448 A1* 8/2013 Moczygemba H01L 35/32
136/201
2015/0364667 A1* 12/2015 Jarmon H01L 35/30
136/208

* cited by examiner

Primary Examiner — Derrick E Holland

(**) Term: **15 Years**

(21) Appl. No.: **29/653,948**

(22) Filed: **Jun. 20, 2018**

(51) **LOC (12) Cl.** **13-03**

(52) **U.S. Cl.**
USPC **D13/179; D13/117**

(58) **Field of Classification Search**
USPC D13/101, 102, 110, 112, 117, 123, 179,
D13/184, 199; D23/314; D24/206
CPC H01L 35/00; H01L 35/06; H01L 35/22;
H01L 35/30; H01L 35/32; H01L 39/04;
F01N 3/0828

See application file for complete search history.

(56) **References Cited**

U.S. PATENT DOCUMENTS

- 3,282,267 A * 11/1966 Eidus A61F 7/00
607/96
- D298,458 S * 11/1988 Margolin D13/179
- 8,933,317 B2 1/2015 Moczygemba et al.
- D755,740 S * 5/2016 Chen D13/179
- 9,761,781 B2* 9/2017 Sui H01L 35/32
- D806,014 S * 12/2017 Saitou D13/102

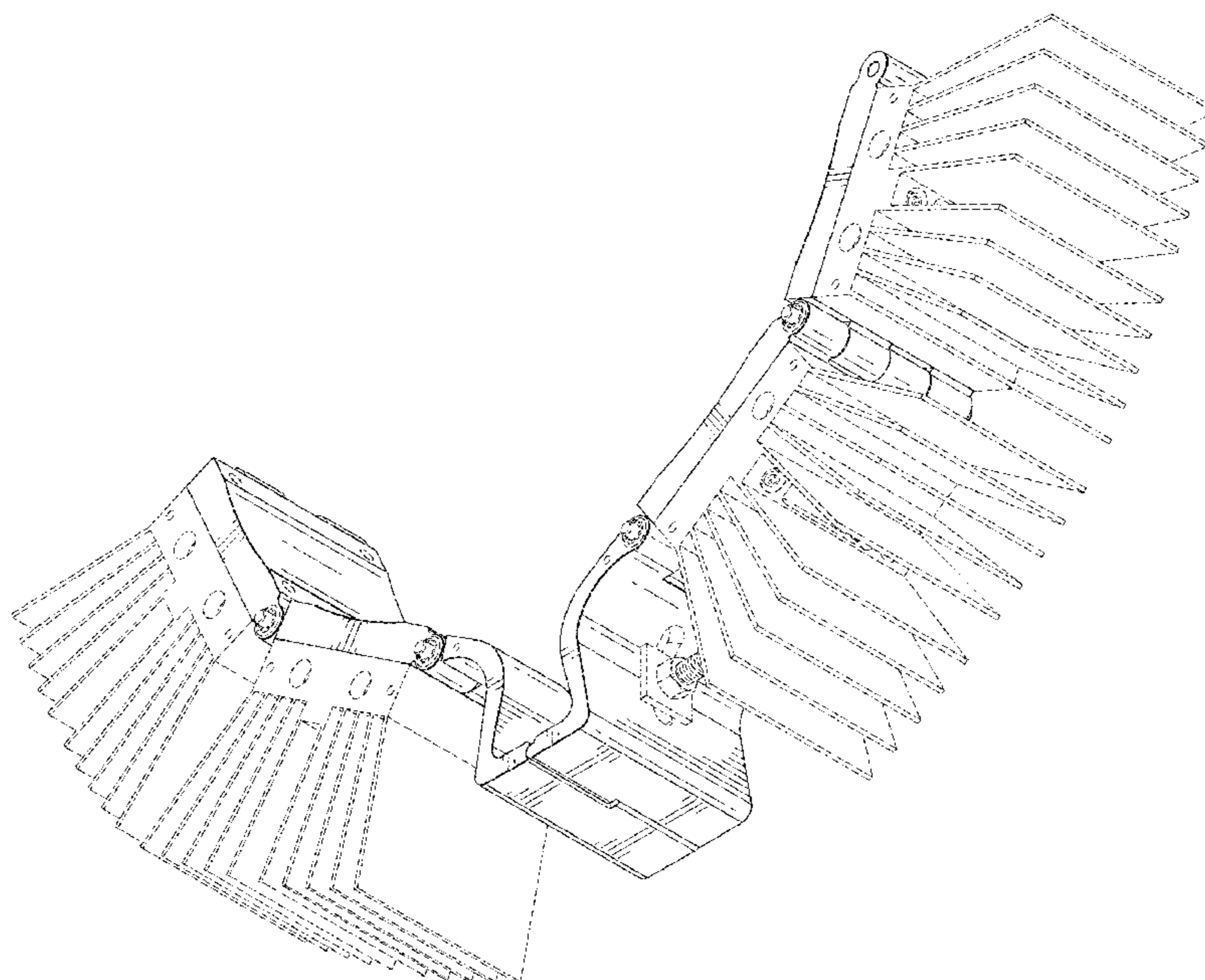
(57) **CLAIM**

The ornamental design for a powerstrap generator, as shown and described.

DESCRIPTION

FIG. 1 is a front perspective view of a powerstrap generator showing the new design;
 FIG. 2 is a front elevation view of the powerstrap generator of FIG. 1;
 FIG. 3 is a rear elevation view of the powerstrap generator of FIG. 1;
 FIG. 4 is a right side view of the powerstrap generator of FIG. 1;
 FIG. 5 is a left side view of the powerstrap generator of FIG. 1;
 FIG. 6 is a top view of the powerstrap generator of FIG. 1;
 FIG. 7 is a bottom view of the powerstrap generator of FIG. 1;
 FIG. 8 is an alternative perspective view of the powerstrap generator of FIG. 1;
 FIG. 9 is an environmental perspective view of the powerstrap generator of FIG. 1; and,
 FIG. 10 is another environmental perspective view of the powerstrap generator of FIG. 1.
 The broken lines in the drawings illustrate the portions of the powerstrap generator that form no part of the claim design.

1 Claim, 8 Drawing Sheets



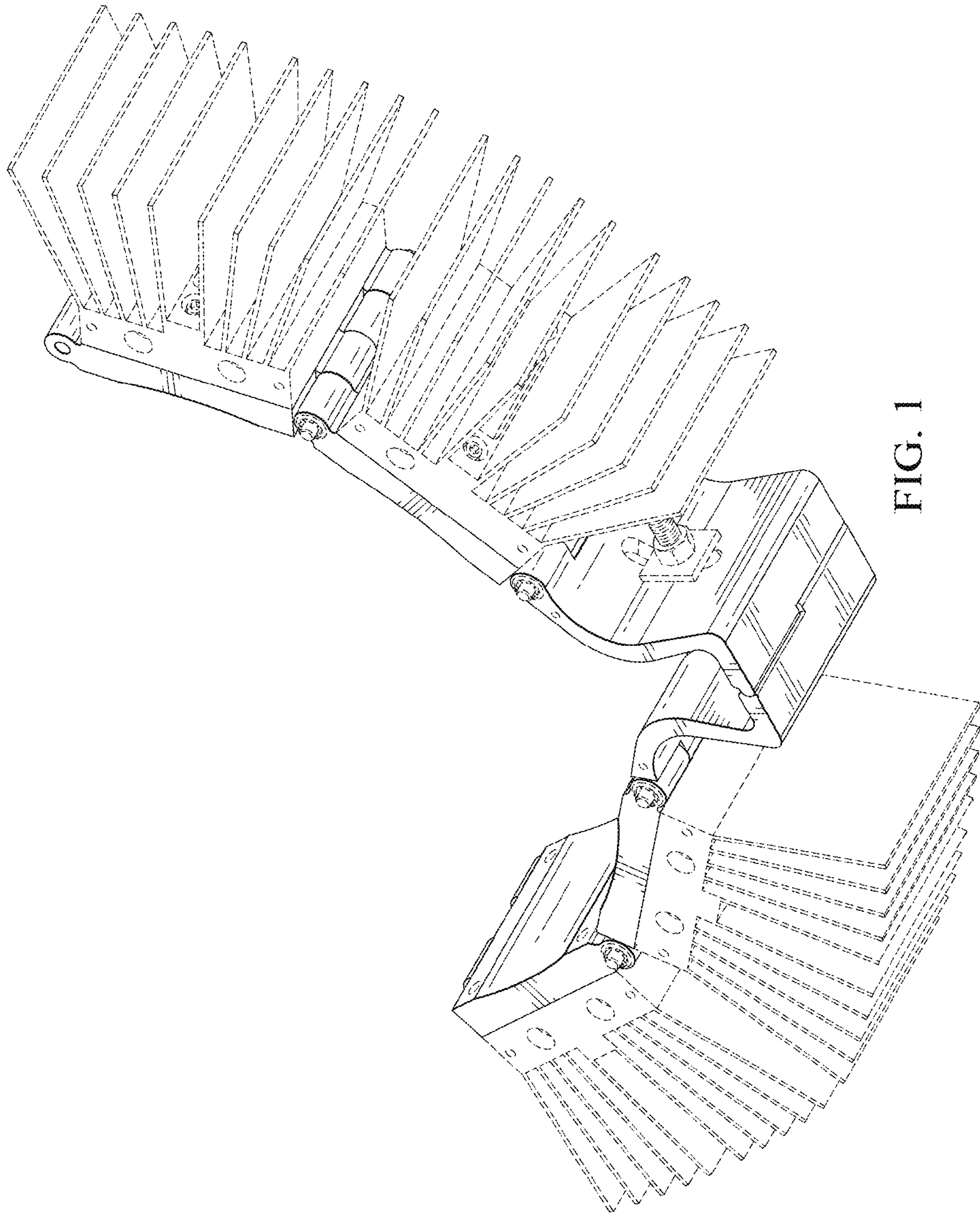


FIG. 1

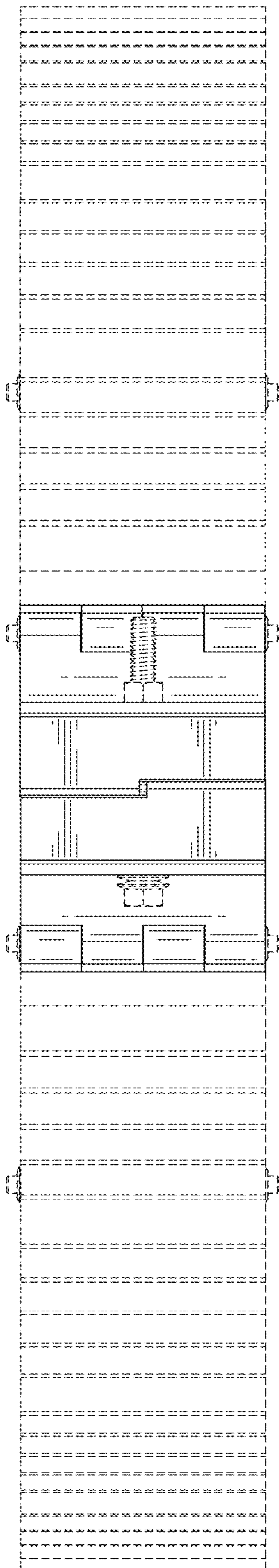


FIG. 2

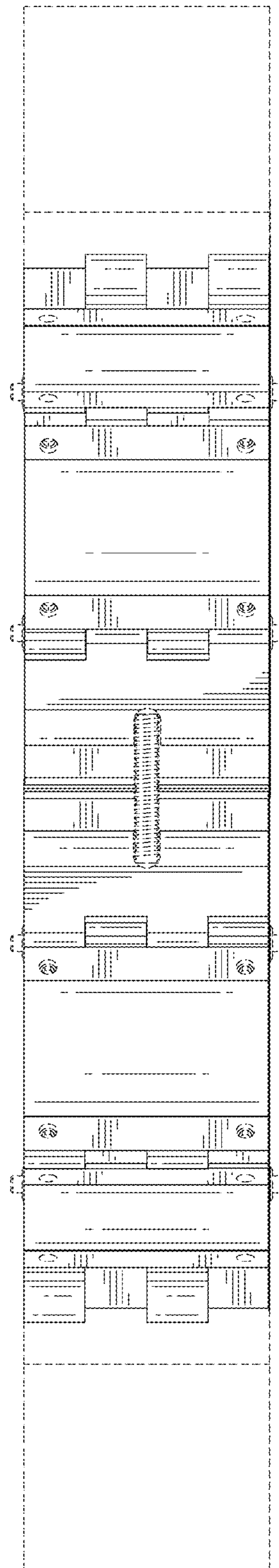


FIG. 3

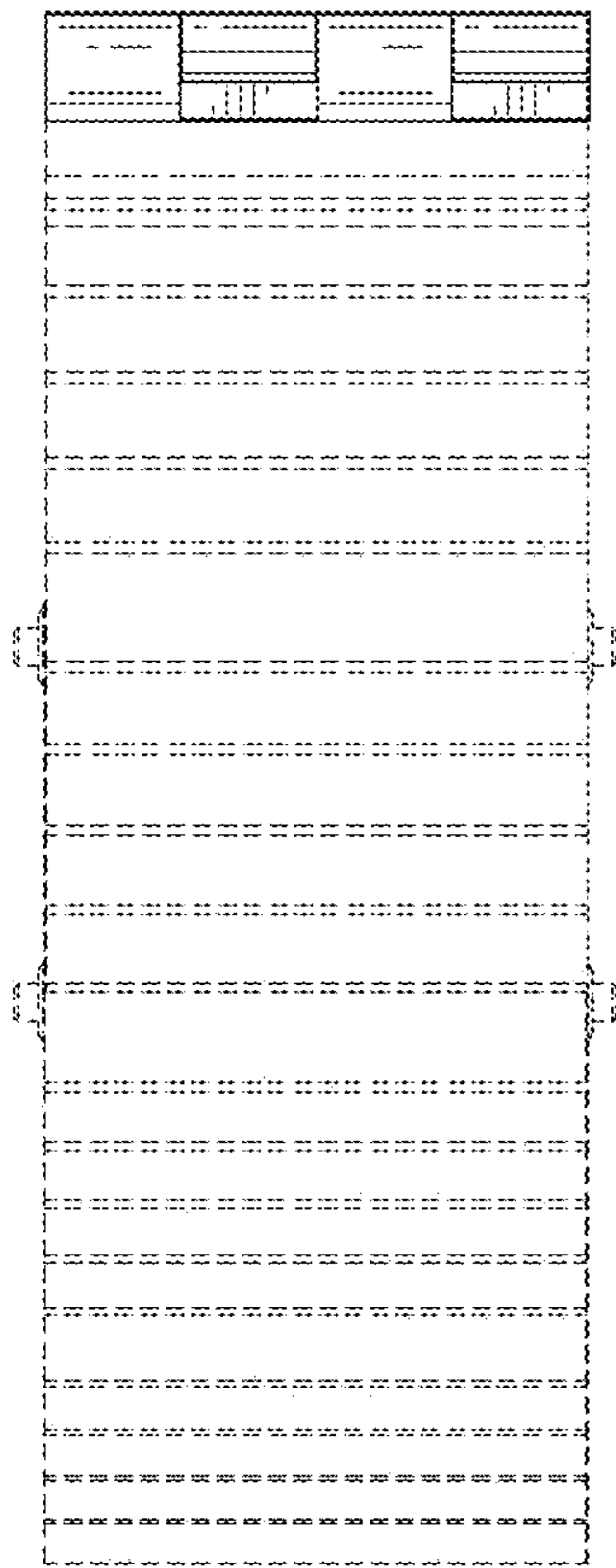


FIG. 4

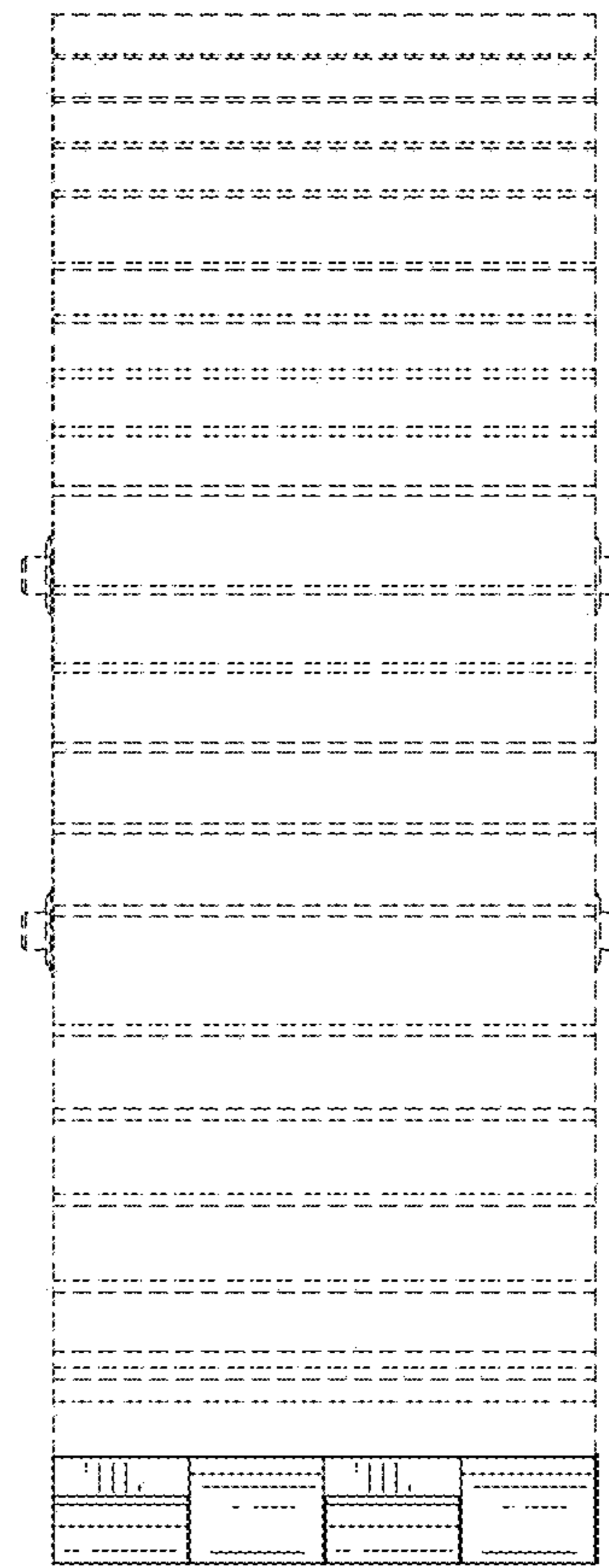


FIG. 5

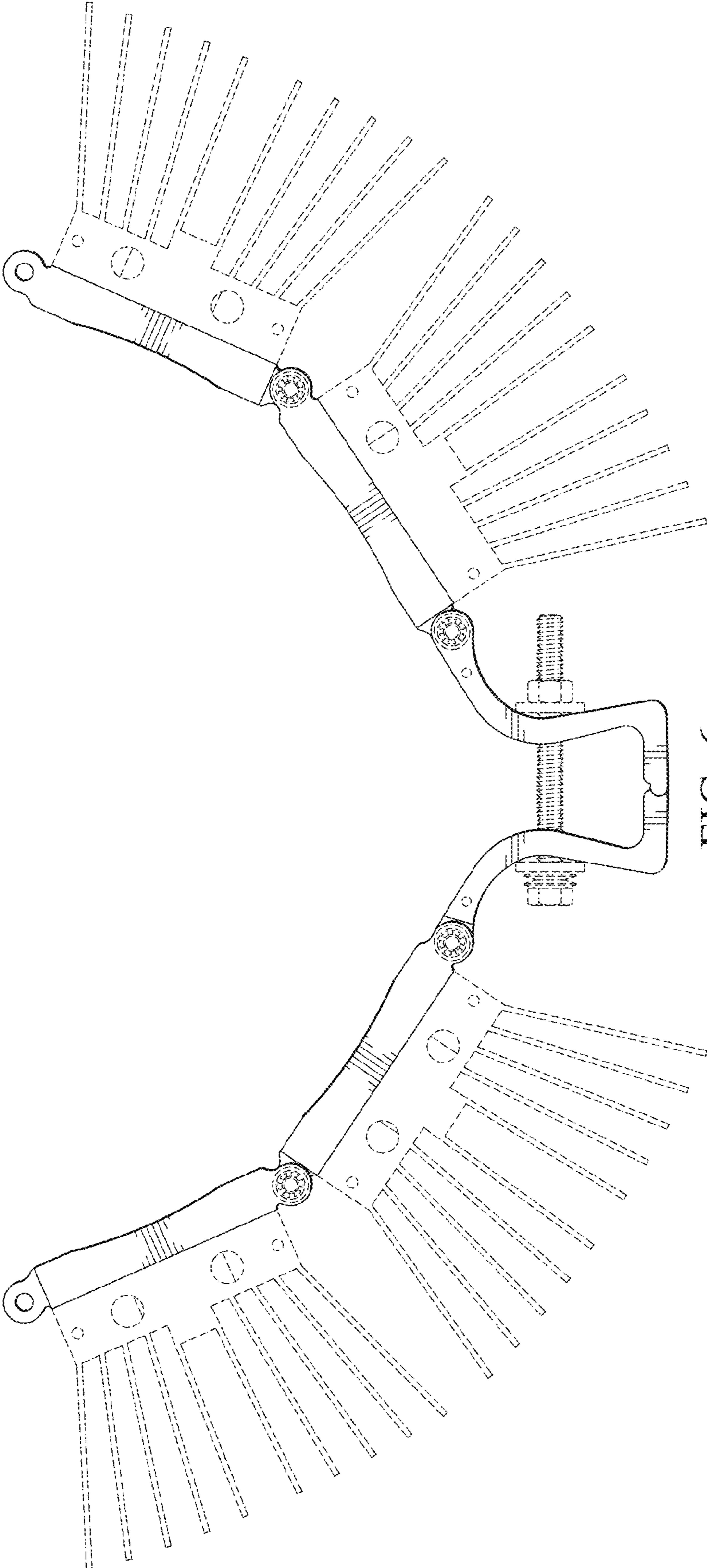


FIG. 6

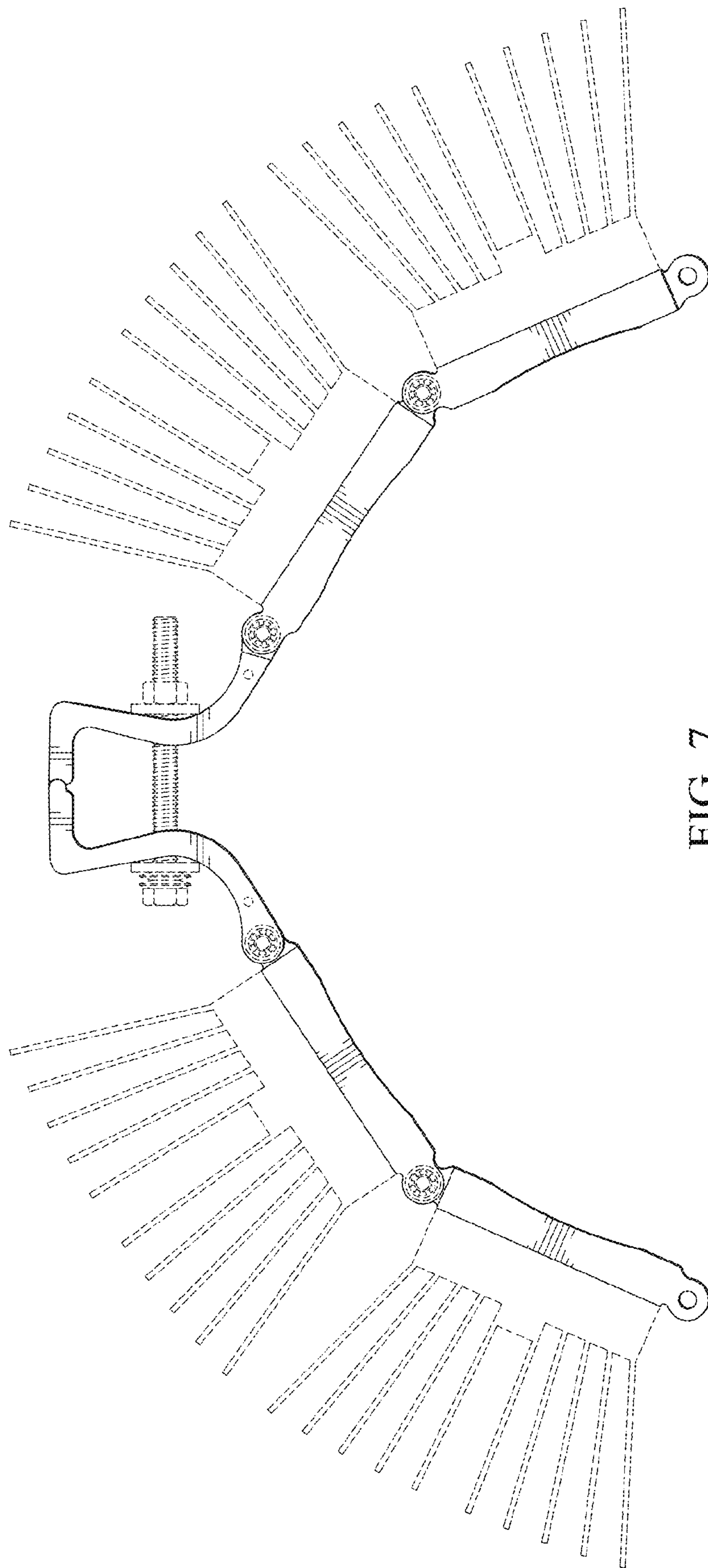


FIG. 7

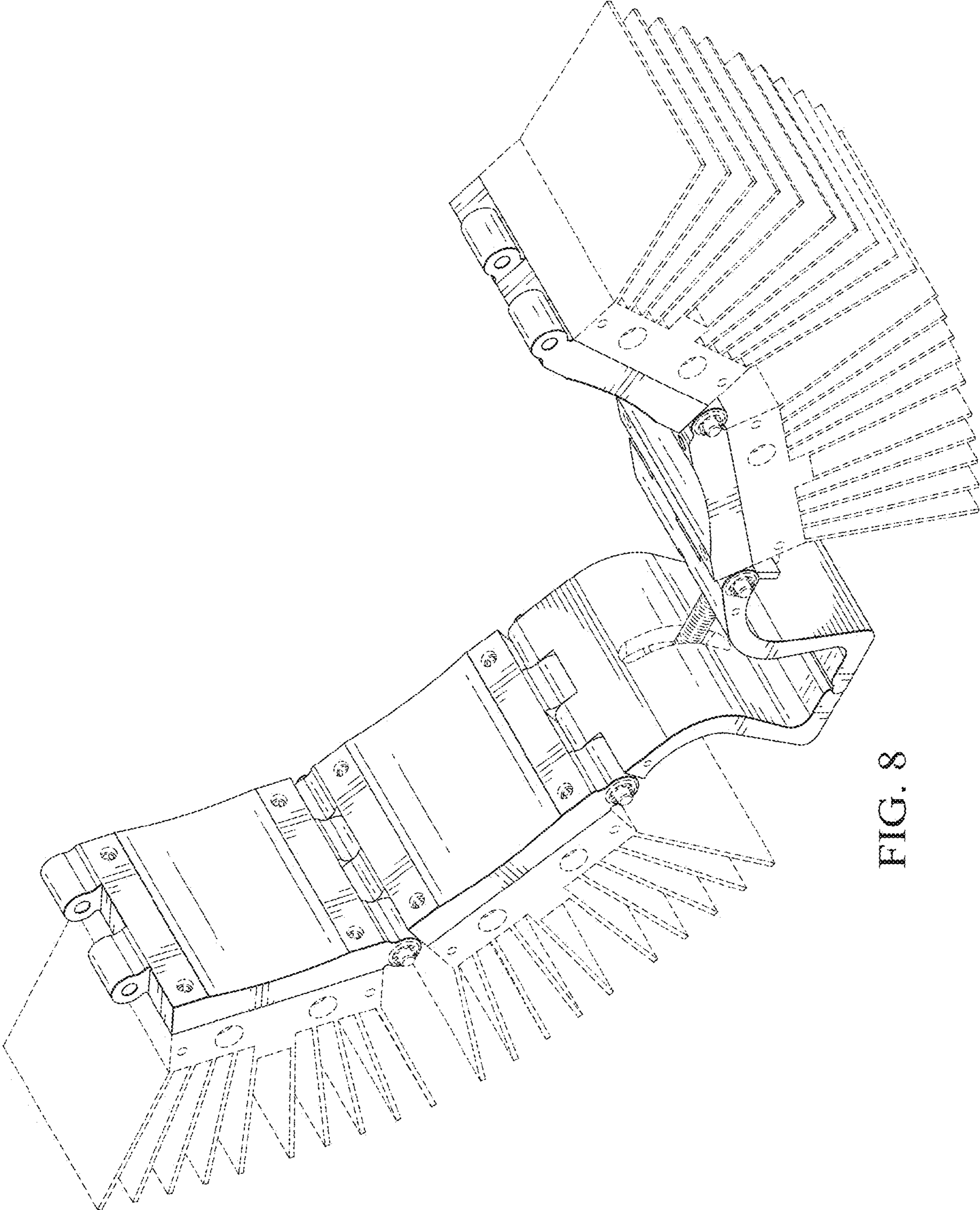


FIG. 8

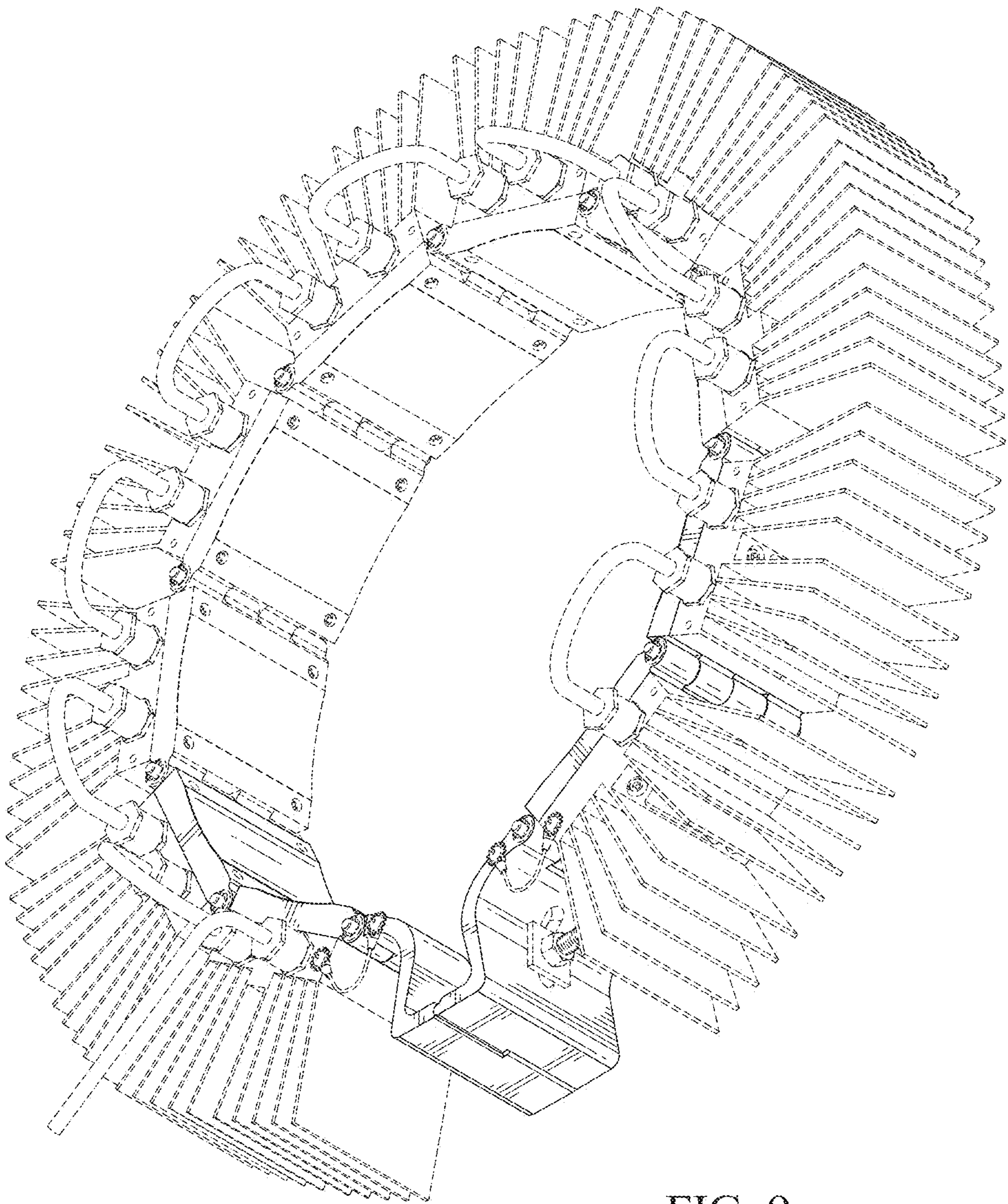


FIG. 9

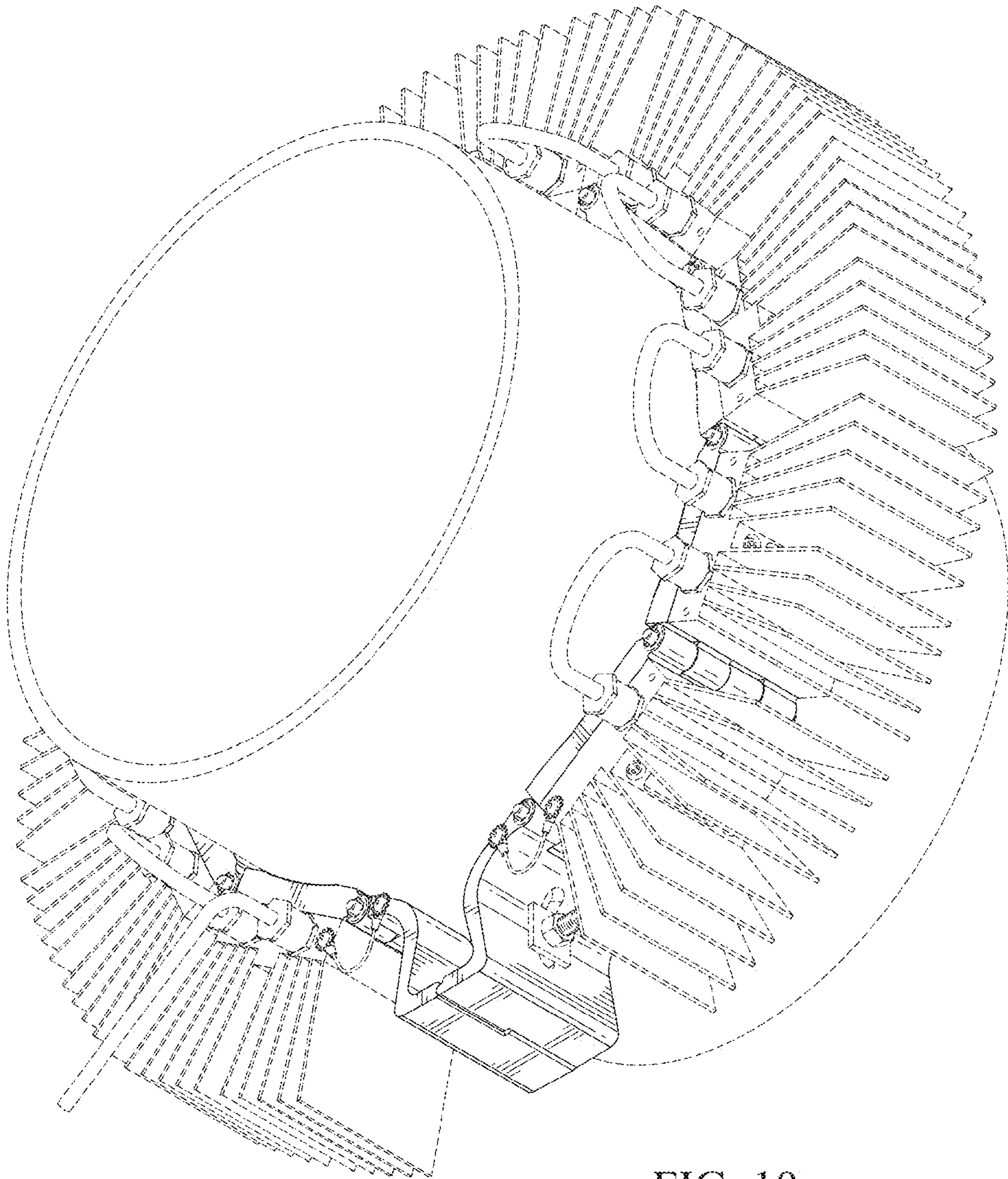


FIG. 10